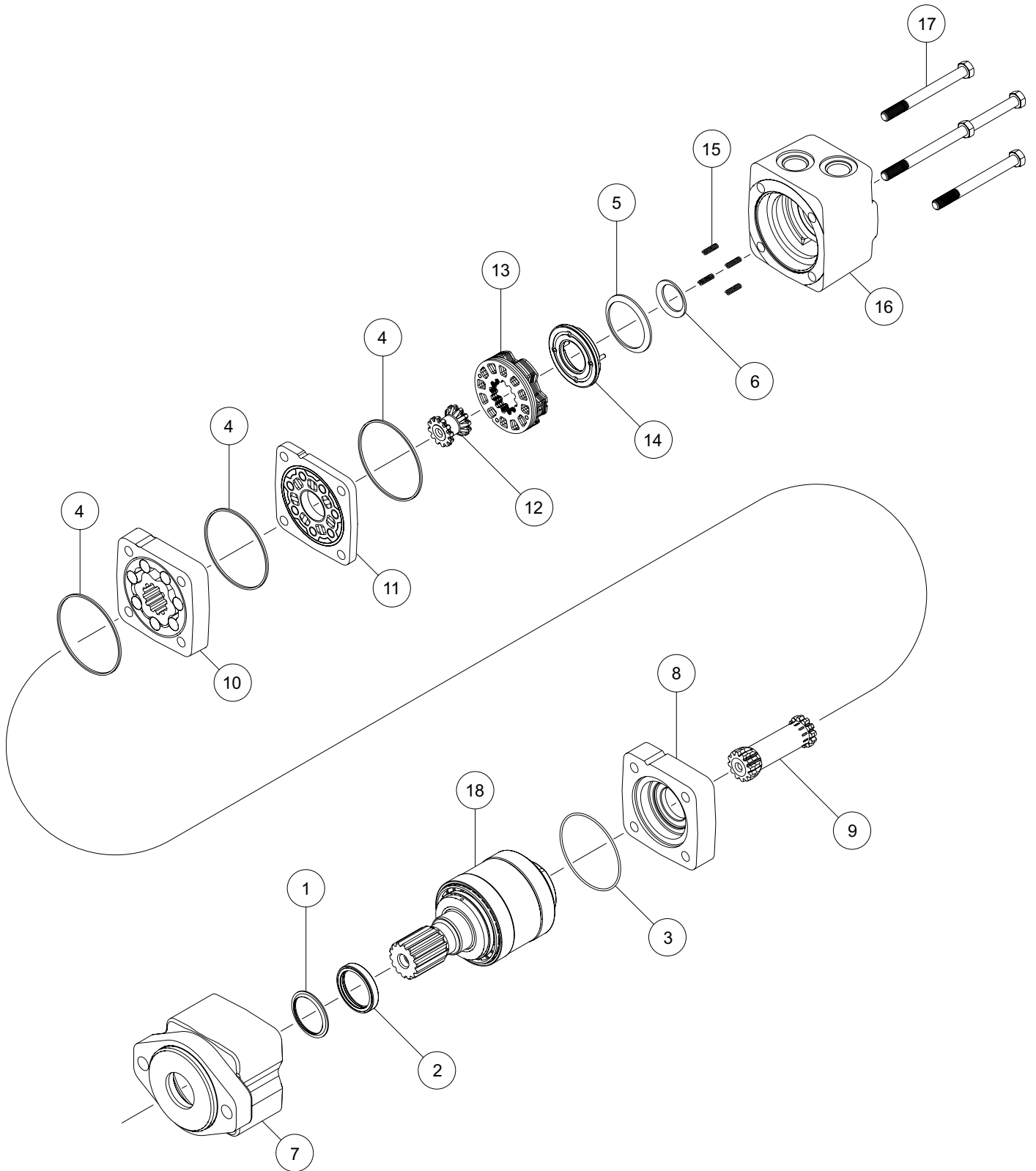


WS (350) Series



WS (350) SERIES MOTOR COMPONENTS

SEAL KIT 355355001

DESCRIPTION	EXP. VIEW ITEM #	KIT
EXCLUDER SEAL	1	ITEMS # 1-6 INCLUDED IN SEAL KIT 355355001
BUNA SHAFT SEAL	2	
HOUSING SEAL	3	
BODY SEALS (3)	4	
LARGE PISTON SEAL	5	
SMALL PISTON SEAL	6	

MISCELLANEOUS KITS

DESCRIPTION	EXP. VIEW ITEM #	KIT
WEAR PLATE	8	355012005
MANIFOLD	11	350015100
DRIVER	12	350014100
COMMUTATOR	13	350012107
ENDCOVER PISTON	14	355018036
PISTON SPRINGS	15	355018032
1000 PSI RELIEF VALVE	NOT SHOWN	500018228
2000 PSI RELIEF VALVE	NOT SHOWN	500018231
3000 PSI RELIEF VALVE	NOT SHOWN	500018221
M24 X 1.5 SLOTTED HEX NUT	NOT SHOWN	500449306
1.125-18 UNEF SLOTTED HEX NUT	NOT SHOWN	700018038
1.125-18 UNEF SOLID HEX NUT	NOT SHOWN	700018054
1.00-20 UNEF SOLID NUT	NOT SHOWN	500449303
1.00-20 UNEF LOCK NUT	NOT SHOWN	300339303P
1.00-20 UNEF SLOTTED NUT	NOT SHOWN	500449304

ROTORS, DRIVE LINKS AND BOLTS

WHEN CHANGING MOTOR DISPLACEMENTS, A MATCHING ROTOR AND BOLT SET KIT MUST BE ORDERED. A NEW DRIVE LINK KIT MAY BE NECESSARY.

EXPLODED VIEW ITEM #	10	9	17
DISPLACEMENT	STANDARD ROTOR KIT	DRIVE LINK KIT	BOLT SET KIT
080	350057004	35I 014103	300335018
100	350067004	35I 014103	300335018
110	250077004	35I 014104	300334024
130	350087004	35I 014105	300334018L
160	350107004	355014106	300335114
200	350127004	35I 014107	300335024
230	350147004	355014108	300334024L
320	350207004	355014109	355335024
400	350247004	355014109	355335024
500	350317004	355014110	350335500

HOUSING KITS

(EXPLODED VIEW ITEM #7)

DESCRIPTION	HOUSING KIT
A0 & A7 2-HOLE SAE A MOUNT	350013111
A2 & A8 4-HOLE MAGNETO MOUNT	350013114
AG & AH 4-HOLE SQUARE SAE A MOUNT	350013118
B0 & B7 2-HOLE SAE B MOUNT	350013115
Y2 & Y8 4-HOLE WHEEL MOUNT (4.25" PILOT)	350013117

SHAFTS AND RELATED COMPONENTS KITS

SHAFT KITS COME WITH ALL RELATED SHAFT COMPONENTS (ie. KEYS, NUTS, BOLTS, WASHERS, ETC.)

TO ORDER INDIVIDUAL SHAFT COMPONENTS (i.e. keys, nuts) USE THE KIT NUMBER FOR EACH INDIVIDUAL PART

EXPLODED VIEW ITEM #	18	NOT SHOWN	NOT SHOWN
DESCRIPTION	SHAFT KIT	KEY KIT	NUT KIT
#02 6B SPLINE	35011002	---	---
#10 1" STRAIGHT	35011010	200229100	---
#12 25MM STRAIGHT	35011012	355018046	---
#20 1-1/4" STRAIGHT	35011020	355018038	SEE MISC. KITS LIST ABOVE
#21 32MM STRAIGHT	35011021	355018047	
#22 1-1/4" TAPERED	35011022	355018039	
#23 14 TOOTH SPLINE	35011023	---	
#28 35MM TAPERED	35011028	355018048	
#31 1-1/2" TAPERED	35011031	500449105	

ENDCOVER KITS

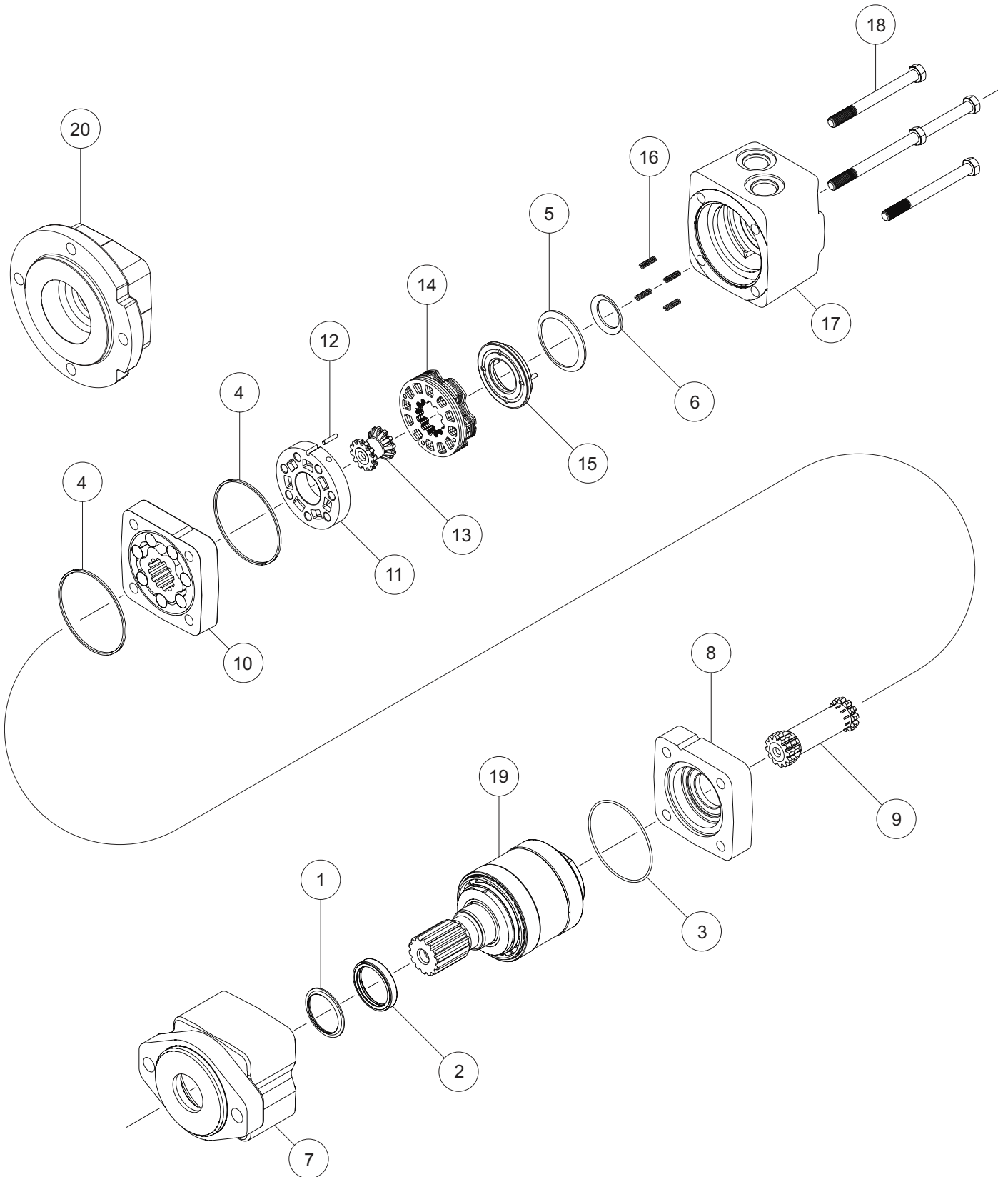
(EXPLODED VIEW ITEM #16)

ENDCOVER KITS COME ASSEMBLED WITH EXPLODED VIEW ITEMS # 5, 6, 14, & 15.

TO ORDER A RELIEF VALVE FOR THE VALVE CAVITY ENDCOVERS, SEE THE MISCELLANEOUS KITS LISTING ABOVE FOR RELIEF VALVE KIT #S.

DESCRIPTION	STANDARD	VALVE CAVITY
	ENDCOVER KIT	ENDCOVER KIT
#1 7/8" O-RING (SIDE PORTS)	350160100	350160100R
#1 7/8" O-RING (END PORTS)	350160103	---
#2 1/2" BSP.F (SIDE PORTS)	350160118	350160118R
#2 1/2" BSP.F (END PORTS)	350160122	---
#6 1-1/16" O-RING 180° (SIDE PORTS)	350160106	---
#B 1/2" BSP.F (END PORTS)	350160146	---

WS (355) Series



WS (355) SERIES MOTOR COMPONENTS

SEAL KIT 355355001

DESCRIPTION	EXP. VIEW ITEM #	KIT
EXCLUDER SEAL	1	
BUNA SHAFT SEAL	2	
HOUSING SEAL	3	ITEMS # 1-6
BODY SEALS (2)	4	INCLUDED IN
LARGE PISTON SEAL	5	SEAL KIT
SMALL PISTON SEAL	6	355355001

MISCELLANEOUS KITS

DESCRIPTION	EXP. VIEW ITEM #	KIT
WEAR PLATE	8	355012005
MANIFOLD	11	355015000
PIN	12	355018034
DRIVER	13	355014000
COMMUTATOR	14	355012007
ENDCOVER PISTON	15	355018036
PISTON SPRINGS	16	355018032
SHORT MOTOR MOUNTING FLANGE (USE WITH 0A CARDAN SHAFT ONLY)	20	355013021
1000 PSI RELIEF VALVE	NOT SHOWN	500018228
2000 PSI RELIEF VALVE	NOT SHOWN	500018231
3000 PSI RELIEF VALVE	NOT SHOWN	500018221
M24 X 1.5 SLOTTED HEX NUT	NOT SHOWN	500449306
1.125-18 UNEF SLOTTED HEX NUT	NOT SHOWN	700018038
1.125-18 UNEF SOLID HEX NUT	NOT SHOWN	700018054
1.00-20 UNEF SOLID NUT	NOT SHOWN	500449303
1.00-20 UNEF LOCK NUT	NOT SHOWN	300339303P
1.00-20 UNEF SLOTTED NUT	NOT SHOWN	500449304

ROTORS, DRIVE LINKS AND BOLTS

WHEN CHANGING MOTOR DISPLACEMENTS, A MATCHING ROTOR AND BOLT SET KIT MUST BE ORDERED. A NEW DRIVE LINK KIT MAY BE NECESSARY.

EXPLODED VIEW ITEM #	10	9	9	18
DISPLACEMENT	STANDARD ROTOR KIT	DRIVE LINK KIT & 0A CARDAN	00 CARDAN SHAFT	BOLT SET KIT
100	355337100	355014003	---	300335014
110	355337110	355014004	---	300335110
130	355337130	355014005	---	300335018
160	355337160	355014006	---	300334018L
200	355337200	355014007	---	300335114
230	355337230	355014008	---	300335024
320	355337320	355014009	---	355335320
400	300332024	355014009	---	355335320
500	355337500	355014010	---	355335500

HOUSING KITS

(EXPLODED VIEW ITEM #7)

HOUSING KIT INCLUDES ITEMS # 1, 2, & 19. ITEM # 19 CANNOT BE ORDERED AS AN INDIVIDUAL COMPONENT. ITEM # 19 IS ONLY SHOWN FOR SEAL KIT SERVICING PURPOSES ONLY. THE BEARINGS SHOWN ON ITEM # 19 ARE PRELOADED TO EACH INDIVIDUAL HOUSING AND BECAUSE OF THIS ITEM # 19 CANNOT BE ORDERED BY ITSELF. ITEM # 19 CAN BE PRESSED OUT AND BACK INTO THE SAME HOUSING WHEN SERVICING THE SEALS ON THE MOTOR.

DESCRIPTION	HOUSING KIT
#A0 & A7 2-HOLE SAE A MOUNT	35513A0__
#A2 & A8 4-HOLE MAGNETO MOUNT	35513A2__
#AG & AH 4-HOLE SQUARE SAE A MOUNT	35513AG__
#W2 & W8 3.25" PILOT WHEEL MOUNT	35513W2__
#Y2 & Y8 4.25" PILOT WHEEL MOUNT	35513Y2__
#Z2 & Z8 EURO WHEEL MOUNT	35513Z2__

**NOTE: TO FILL IN THE REMAINING TWO (2) DIGITS IN HOUSING KIT ORDER CODE THE SHAFT NUMBER IS TO BE USED.
PLEASE REFER TO THE SHAFT DESCRIPTION BELOW FOR THE TWO (2) DIGIT SHAFT CODE NEEDED TO COMPLETE THE HOUSING KIT ORDER NUMBER.**

SHAFTS AND RELATED COMPONENTS KITS

IF SERVICING A WS SHORT MOTOR, THE DRIVE LINK (9) IS CONSIDERED THE OUTPUT SHAFT. (SEE DRIVE LINKS ABOVE)
TO ORDER INDIVIDUAL SHAFT COMPONENTS (i.e. keys, nuts) USE THE KIT NUMBER FOR EACH INDIVIDUAL PART.

EXPLODED VIEW ITEM # 19	NOT SHOWN	NOT SHOWN
DESCRIPTION	KEY KIT	NUT KIT
#02 6B SPLINE	---	---
#10 1" STRAIGHT	200229100	
#12 25MM STRAIGHT	355018046	
#20 1-1/4" STRAIGHT	355018038	SEE MISC.
#21 32MM STRAIGHT	355018047	KITS LIST
#22 1-1/4" TAPERED	355018039	ABOVE
#23 14 TOOTH SPLINE	---	
#28 35MM TAPERED	355018048	
#31 1-1/2" TAPERED	500449105	

ENDCOVER KITS

(EXPLODED VIEW ITEM #17)

ENDCOVER KITS COME ASSEMBLED WITH EXPLODED VIEW ITEMS # 5, 6, 15, & 16.

TO ORDER A RELIEF VALVE FOR THE VALVE CAVITY ENDCOVERS, SEE THE MISCELLANEOUS KITS LISTING ABOVE FOR RELIEF VALVE KIT #S.

DESCRIPTION	STANDARD ENDCOVER KIT	VALVE CAVITY ENDCOVER KIT
#1 7/8" O-RING (SIDE PORTS)	355160000	355160000R
#2 1/2" BSP.F (SIDE PORTS)	355160018	355160018R
#3 1/2" BSP.F OFFSET MANIFOLD (SIDE PORTS)	355160024	355160024R
#5 9/16" O-RING (SIDE PORTS)	355160003	---
#6 1-1/16" O-RING 180° (SIDE PORTS)	355160004	---
#9 3/8" BSP.F (SIDE PORTS)	355160006	---
#1 7/8" O-RING (END PORTS)	355160007	---
#2 1/2" BSP.F (END PORTS)	355160009	---