



PRODUCT CATALOG



Hydraulic Couplers and Valves

www.holmbury.com

THIS PAGE HAS BEEN LEFT INTENTIONALLY BLANK

INTRODUCTION

HOLMBURY HISTORY

The Holmbury Group is a family run hydraulics company with their head office located in Tonbridge, United Kingdom. Holmbury was established in 1982 by David French and quickly became recognized for their high quality and reliable products. The company is best known for its innovative flat face coupler design, launched in 1984, which became the preferred quick release coupler solution for many heavy construction equipment OEMs. The flat face design prevents the inclusion of air and contaminants, while preventing fluid loss during disconnection.

Today Holmbury is a global provider of hydraulic quick release couplers, valves and other hydraulic components. In 2003, driven by the need to respond rapidly to worldwide customer demand, Holmbury set up their North American operation, now located in Eastlake, Ohio. Holmbury continues to expand globally, providing customers with an ever increasing range of hydraulic system solutions.

WHY CHOOSE HOLMBURY

Design and Engineering

Holmbury's products are designed by engineers with years of experience, insight and know-how. Holmbury also maintains strict control of each manufacturing function, optimizing quality at each step along the process, meeting even the most demanding customer specifications. Holmbury utilizes the advantages of global manufacturing expertise to provide customers with timely, precise and cost-effective manufacturing capabilities.

Quality Certifications

All Holmbury products are subject to rigorous laboratory and field testing, and each product is certified in conformity to strict certification standards. Holmbury is an ISO 9001-2008 certified company.

Delivery

Holmbury is dedicated to supplying quality products in the shortest possible time frame. It does so by utilizing fully automated systems that co-ordinate and track production and evaluate performance.



Holmbury Ltd.



Holmbury Inc.



Flat Face Couplers

HQ Series Pg 7-8

Flat face couplers made to the ISO 16028 Standard



HCP Series Pg 11-12

Connect under pressure flat face male couplers made to the ISO 16028 Standard



H90 Series Pg 9-10

90 degree flat face couplers made to the ISO 16028 Standard



HP Series Pg 13-14

High pressure flat face couplers fitted with a safety locking sleeve



Screw Connect Couplers

HFT Series Pg 15-16

Screw connect flat face couplers



TC Series Pg 25-26

Screw connect tipper couplers



HS Series Pg 17-18

General purpose screw connect poppet couplers made to the ISO 14541 Standard



SP Series Pg 27-28

High pressure screw connect couplers



5000 Series Pg 19-20

Heavy duty screw connect couplers



PTC Series Pg 29-30

High pressure heavy duty screw connect couplers



RH Series Pg 21-22

Zero leakage screw connect couplers



LC Series Pg 31-32

Heavy duty screw connect couplers



PSP | PSB Series Pg 23-24

High pressure screw connect poppet & ball couplers made to the ISO 14540 Standard



PS Series Pg 33-34

Extra heavy duty high flow couplers



CONTENTS

ISO & DIN Couplers

IA / IAZ Series Pg 35-36

ISO A couplers made to the ISO 7241:2014 Series A standard



P Series Pg 43-44

ISO A push / pull female couplers (Connects with 1/2" ISO A male probes)



IB / IBZ Series Pg 37-38

ISO B couplers made to the ISO 7241:2014 Series B standard



DIN V / DNVZ Series Pg 45-46

Poppet seal couplers made to the ISO 5675 Standard



IAP Series Pg 39-40

Connect under pressure female couplers (Connects to 1/2" ISO A male probes)



DIN B / DNBZ Series Pg 47-48

Ball seal couplers made to the ISO 5675 Standard



IAPC Series Pg 41-42

Connect under pressure ISO A couplers made to the ISO 7241:2014 Series A standard



General Purpose Couplers

HTN Series Pg 49-50

Poppet style couplers with a guided poppet



TB Series Pg 55-56

Trailer brake couplers made to the ISO 5676 Standard



F Series Pg 51-52

Connect under pressure high flow couplers fitted with a safety locking sleeve



PLC Series Pg 57-58

Screw connect and pull break couplers



PWC Series Pg 53-54

Free flow, valveless pressure washer couplers



KM 115/116 Series Pg 59-60

High pressure poppet valve couplers



Rotary Couplers

GG90 Series Pg 61-62

90 degree rotary couplers



GGIL Series Pg 63-64

In-line rotary couplers



Specialist Couplers

DTP Series Pg 65-66

Diagnostic test point couplers made to the ISO 15171-1 Standard



HDB Series Pg 69-70

Decompression block couplers



MP Series Pg 67-68

Multiplate couplers



FFC Series Pg 71-72

Replacement cartridge couplers for the Faster 4BD4FH/4BD4FI



Stainless Steel & Brass Couplers

HSS Series Pg 73-74

Stainless steel flat face couplers made to the ISO 16028 Standard dimensions



PTS Series Pg 81-82

Stainless steel high pressure heavy duty screw connect couplers



IAS Series Pg 75-76

Stainless steel ISO A couplers made to the ISO 7241:2014 Series A Standard dimensions



PWS Series Pg 83-84

Stainless steel pressure washer couplers



IBS Series Pg 77-78

Stainless steel ISO B couplers made to the ISO 7241:2014 Series B Standard dimensions



SR90 Series Pg 85-86

Stainless steel 90 degree rotary couplers



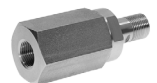
SHS Series Pg 79-80

Stainless steel general purpose screw connect couplers made to the ISO 14541 Standard dimensions



SRIL Series Pg 87-88

Stainless steel in-line rotary couplers



CONTENTS

Stainless Steel & Brass Couplers (Continued)

WSC Series Pg 89-90

Brass wing style screw connect couplers with steel nut



IBB Series Pg 91-92

Brass ISO B couplers made to the ISO 7241:2014 Series B standard dimensions



Ball Valves

BVC 2 Series Pg 93-94

Two way high pressure ball valves



BVC 3 Series Pg 95-96

Three way high pressure ball valves



Check Valves

CV Series Pg 97-98

In-line check valves



Hose Burst Valves

VPC Series Pg 99-100

Hose burst valves



Specialist Valves

PC Series Pg 101-102

Spool valve changes joystick pattern operation



Stainless Steel Valves

BVS 2 Series Pg 103-104

Stainless steel two way high pressure ball valves



CVS Series Pg 107-108

Stainless steel in-line check valves



BVS 3 Series Pg 105-106

Stainless steel three way high pressure ball valves



Accessories

Dust Caps & Plugs Pg 109-110

Dust Caps and Plugs in a variety of styles and colors



Parking Stations Pg 109-110

Parking Stations available for a range of couplings



Seal Kits Pg 109-110

Seal Kits available for a variety of coupling Series in a range of seal materials



Repair Kits Pg 109-110

Repair Kits for the HSC Series



Mounting Flanges Pg 109-110

Mounting Flanges for the WSC Series



Valve Handles Pg 109-110

Valve Handles available for all Ball Valve Series



Valve Locking Kits Pg 109-110

Locking Kits available for all Ball Valve Series in a variety of sizes



Miscellaneous

Safety Guidelines Pg 111

Guidelines for using quick release couplings

Index Pg 113

Index of all products by product category

Technical Information Pg 112

Seal operating temperatures, zinc nickel plating information and flat face sizing template

Terms & Conditions Pg 114

Terms & conditions of business for the Holmbury Group

BOP Certified Ranges

BOP (Blow Out Preventer) Lloyds approved couplers are designed for use in the Oil & Gas industries and are also certified under API 16D regulations.



HFT (API) Series

IB Series (API) coming soon!



LC (API) Series



HQ SERIES

Flat face couplers made to the ISO 16028 Standard

INTRODUCTION

The HQ Series flat face couplers are Holmbury's flagship products, known globally for their leak free performance in high pressure pulse, hammer circuits and many other applications. Preferred choice for many global OEMs.

CONSTRUCTION

- Carbon steel with zinc nickel plating (1200 hours with no red rust in salt spray tests)
- Fitted with Nitrile seals (Viton seals available)
- Also available in AISI 316 stainless steel (See HSS Series)

FEATURES

- Safety locking sleeve fitted as standard to prevent accidental disconnection
- Flat faces are easily wiped clean
- Allows for minimal inclusion of air and contaminants during connection
- Flat face design prevents fluid loss during disconnection
- Bidirectional flow

ACCESSORIES

- Dust Caps, Plugs and Parking Stations are available for the HQ Series



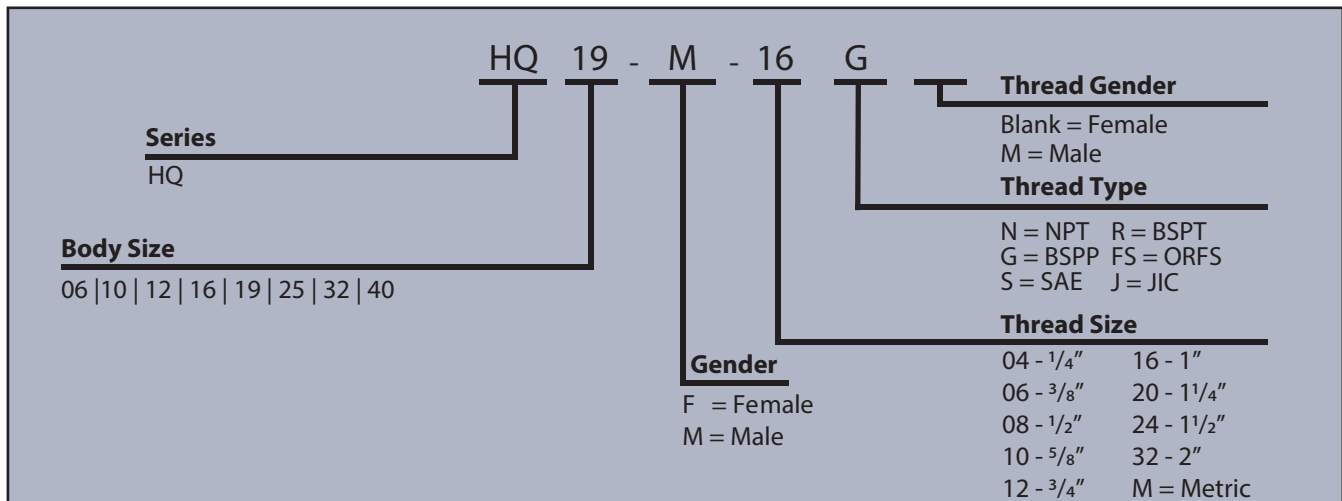
SPECIFICATIONS

- Operating temperatures (With Nitrile seals): -40°C (-40°F) to 106°C (223°F), (With Viton seals): -20°C (-4°F) to 200°C (392°F)
- Couplers have been tested to the ISO 7241-2 Standard

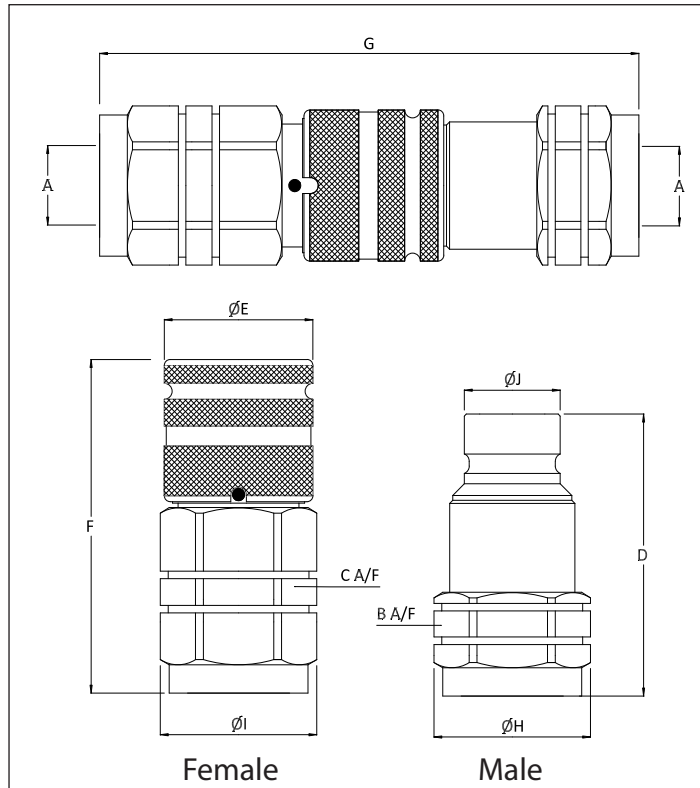
APPLICATIONS

- Hammer circuits
- High pressure pulse applications
- Leak free environments
- Construction plant, mobile equipment, general industrial, nuclear, mining and agricultural industries

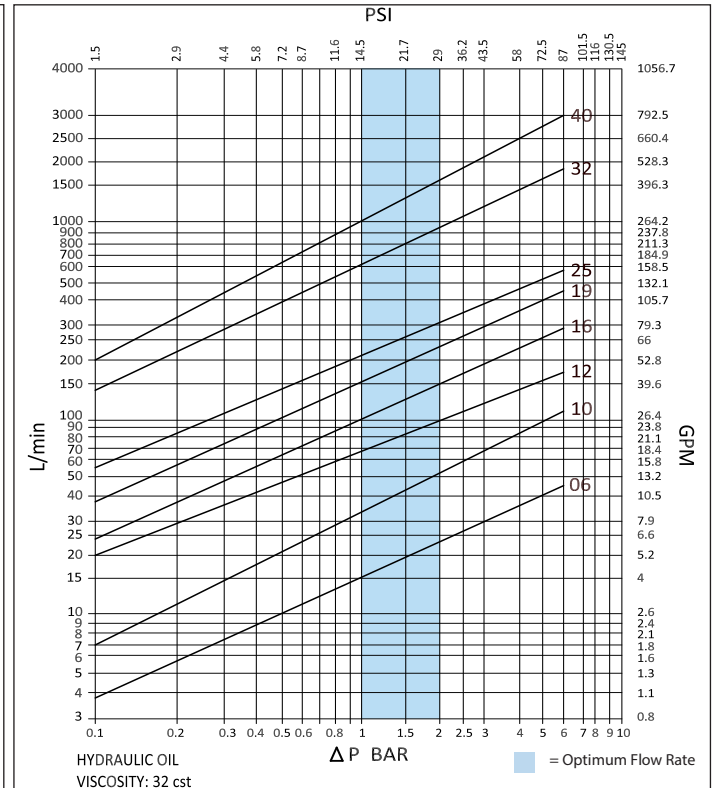
ORDER CODES



DRAWING



PRESSURE DROP CHARACTERISTICS



DIMENSIONS

Size	Thread Size (A)*	B	C	D	ØE	F	G	ØH	ØI	ØJ	Maximum Working Pressure	Burst Pressure (Coupled)	Burst Pressure (Male)	Burst Pressure (Female)
Dimensions in Inches											Psi			
HQ 06	1/4"	22.0	27.0	53.8	28.0	54.3	97.0	24.0	29.0	16.2	400	1700	1220	1500
		0.9	1.1	2.1	1.1	2.1	3.8	0.9	1.1	0.6	5800	24650	17690	21750
HQ 10	3/8"	27.0	30.0	60.2	31.8	69.3	113.3	29.0	32.0	19.7	350	1500	1050	1100
		1.1	1.2	2.4	1.3	2.7	4.5	1.1	1.3	0.8	5075	21750	15225	15950
HQ 10	1/2"	27.0	30.0	63.2	31.8	74.2	121.5	29.0	32.0	19.7	350	1500	1050	1100
		1.1	1.2	2.5	1.3	2.9	4.8	1.1	1.3	0.8	5075	21750	15225	15950
HQ 12	1/2" & 3/4"	36.0	36.0	71.2	37.8	83.7	137.7	40.0	40.0	24.5	350	1200	1000	1050
		1.4	1.4	2.8	1.5	3.3	5.4	1.6	1.6	1.0	5075	17400	14500	15225
HQ 16	3/4"	36.0	41.0	73.1	42.0	83.9	139.8	38.5	45.1	27.0	350	1200	1100	1100
		1.4	1.6	2.9	1.7	3.3	5.5	1.5	1.8	1.1	5075	17400	15950	15950
HQ 19	1"	46.0	46.0	84.0	45.5	99.0	161.6	50.3	50.2	30.0	350	1450	1050	1050
		1.8	1.8	3.3	1.8	3.9	6.4	2.0	2.0	1.2	5075	21025	15225	15225
HQ 25	1 1/4"	55.0	55.0	90.4	55.0	106.2	173.3	59.7	59.7	36.0	260	800	800	800
		2.2	2.2	3.6	2.2	4.2	6.8	2.4	2.4	1.4	3770	11600	11600	11600
HQ 32	1 1/2"	70.0	70.0	119.8	79.0	118.5	209.5	77.0	79.0	57.0	250	1100	1200	1200
		2.8	2.8	4.7	3.1	4.7	8.2	3.0	3.1	2.2	3625	15950	17400	17400
HQ 40	2"	80.0	80.0	173.4	103.0	145.5	282.3	106.2	106.2	72.9	250	1000	1000	1000
		3.1	3.1	6.8	4.1	5.7	11.1	4.2	4.2	2.9	3625	14500	14500	14500

*Dimensions based on BSPP threads

PSI= Bar x14.5 Inches= mm/25.4



H90 SERIES

90 degree flat face couplers made to the ISO 16028 Standard

INTRODUCTION

Holmbury's H90 Series is designed for use in applications that require a 90° elbow in the hydraulic circuit, such as digger booms. The right angle design allows for easy mounting without the need for additional fittings, reducing potential leakage paths and cost.

CONSTRUCTION

- Carbon steel with zinc nickel plating (1200 hours with no red rust in salt spray tests)
- Fitted with Nitrile seals

FEATURES

- The H90 Series is designed to connect with the HQ and HCP Series flat face couplers
- 90 degree elbow incorporated into the coupler
- Flat faces are easily wiped clean
- Allows for minimal inclusion of air and contaminants during connection
- Flat face design prevents fluid loss during disconnection
- Bidirectional flow

ACCESSORIES

- Dust Caps and Plugs are available for the H90 Series



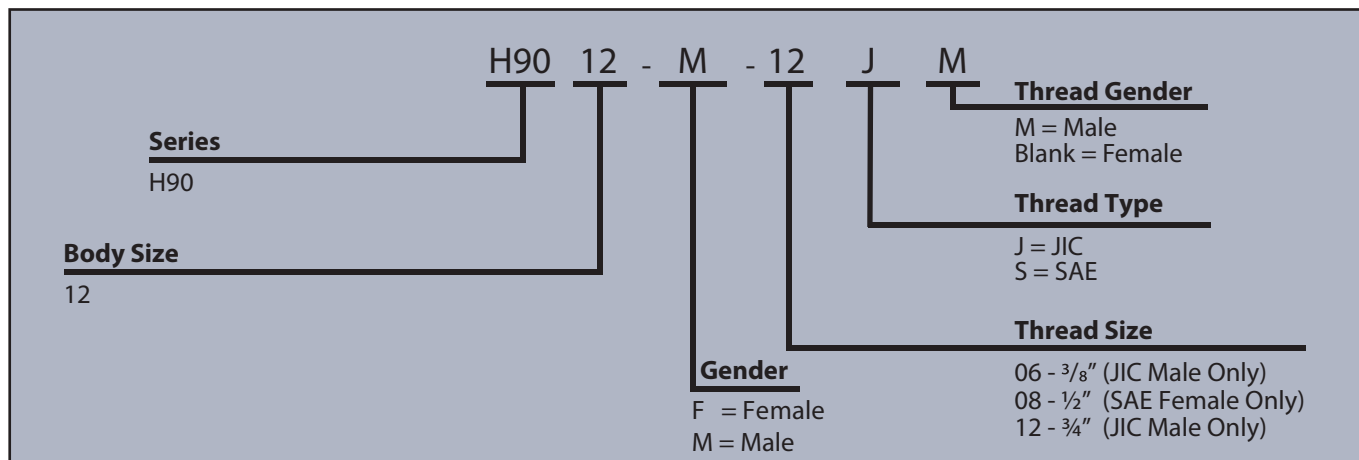
SPECIFICATIONS

- Operating temperatures (With Nitrile seals): -40°C (-40°F) to 106°C (223°F)

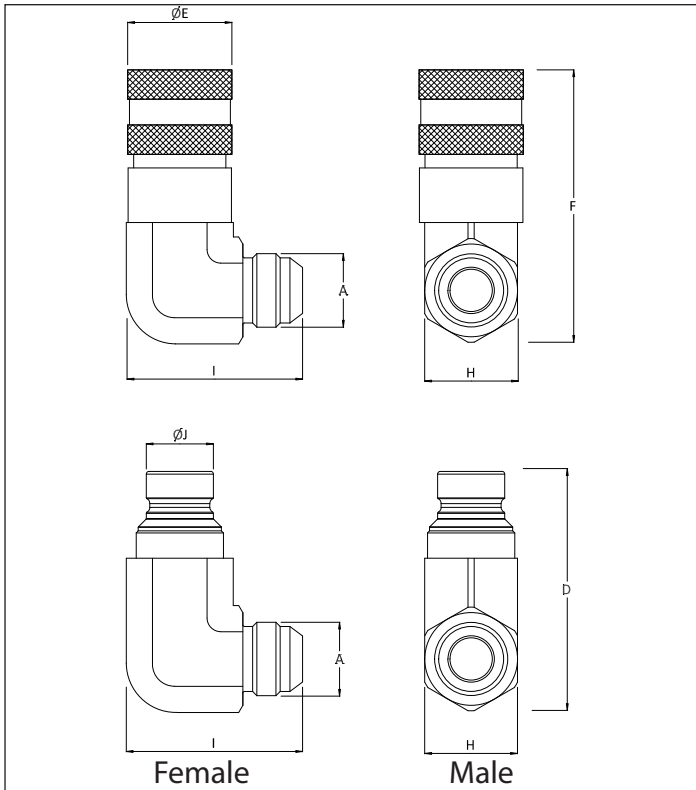
APPLICATIONS

- Hammer circuits
- High pressure pulse applications
- Leak free environments
- Construction plant, mobile equipment, general industrial, nuclear, mining and agricultural industries

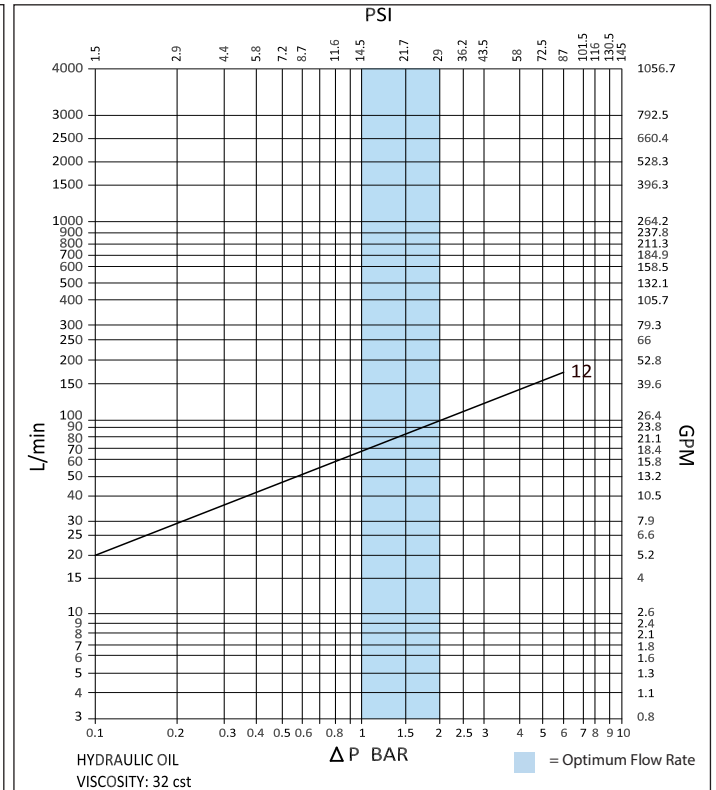
ORDER CODES



DRAWING



PRESSURE DROP CHARACTERISTICS



FLAT FACE COUPLERS

DIMENSIONS

Size	Thread Size (A)	D	ØE	F	H	I	ØJ	Maximum Working Pressure	Burst Pressure (Male)	Burst Pressure (Female)
		Dimensions in mm						Bar		
		Dimensions in Inches						Psi		
H12	08 SAE	88.0	38.0	100.5	34.0	44.0	24.5	350	1050	1000
		3.5	1.5	4.0	1.3	1.7	1.0	5075	15225	14500
H12	06 JIC	88.0	38.0	100.5	34.0	56.0	24.5	350	1050	1000
		3.5	1.5	4.0	1.3	2.2	1.0	5075	15225	14500
H12	12 JIC	88.0	38.0	100.5	34.0	64.0	24.5	350	1050	1000
		3.5	1.5	4.0	1.3	2.5	1.0	5075	15225	14500

PSI= Bar x14.5 Inches= mm/25.4



HCP SERIES

Connect under pressure flat face male couplers made to the ISO 16028 Standard dimensions

INTRODUCTION

Holmbury's HCP Series male couplers are designed to connect under pressure by hand with up to 350 bar locked in the male half, making it an ideal choice for applications where the ability to connect under pressure is essential. The HCP Series also benefits from all the key features of the HQ Series flat face couplers.

CONSTRUCTION

- Carbon steel with zinc nickel plating (1200 hours with no red rust in salt spray tests)
- Fitted with Nitrile seals

FEATURES

- Designed to connect with the HQ Series female half
- Flat faces are easily wiped clean
- Allows for minimal inclusion of air and contaminants during connection
- Flat face design prevents fluid loss during disconnection
- Bidirectional flow
- Connect under pressure with up to 350 bar locked in the male half
- Female half must have zero pressure when connecting male half under pressure

ACCESSORIES

- Dust Caps are available for the HCP Series



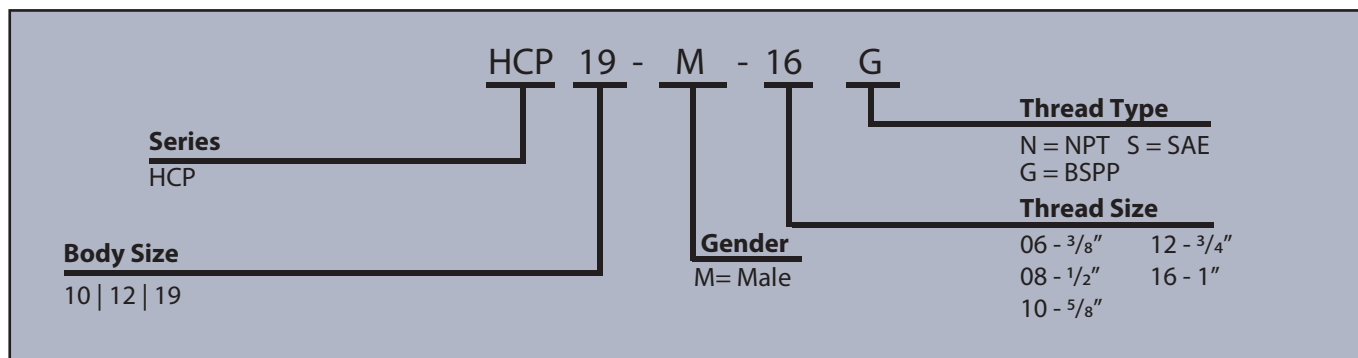
SPECIFICATIONS

- Operating temperatures (With Nitrile seals): -40°C (-40°F) to 106°C (223°F)

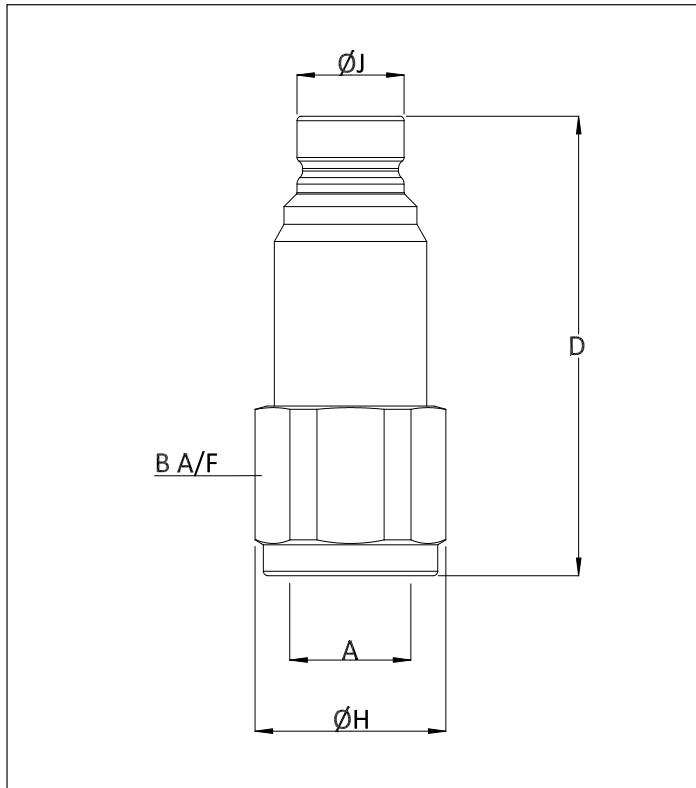
APPLICATIONS

- Hot environments where thermal expansion of trapped oil may take place
- Hammer circuits
- High pressure pulse applications
- Leak free environments
- Construction plant, mobile equipment, general industrial, nuclear, mining and agricultural industries

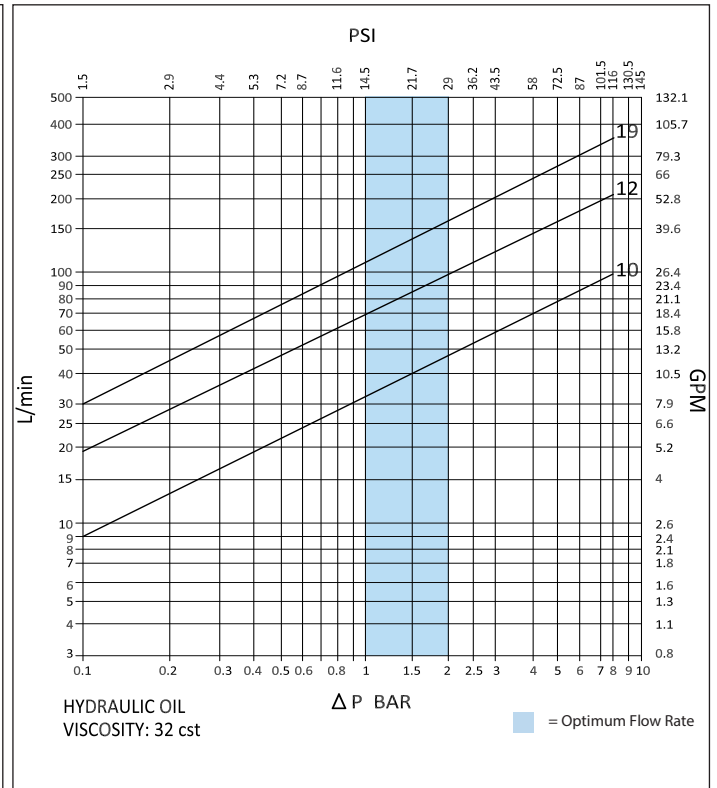
ORDER CODES



DRAWING



PRESSURE DROP CHARACTERISTICS



FLAT FACE COUPLERS

DIMENSIONS

Size	Thread Size (A)*	B	D	ØH	ØJ	Maximum Working Pressure	Burst Pressure (Coupled)	Burst Pressure (Male)
		Dimensions in mm				Bar		
		Dimensions in Inches				Psi		
HCP 10	3/8" & 1/2"	30.0	87.0	32.0	16.2	350	1500	1500
		1.2	3.4	1.3	0.6	5075	21750	21750
HCP 12	1/2" & 3/4"	41.0	104.0	44.0	19.7	350	1200	1500
		1.6	4.1	1.7	0.8	5075	17400	21750
HCP 19	1"	46.0	114.5	50.0	24.5	350	1450	1600
		1.8	4.5	2.0	1.0	5075	21025	23200

*Dimensions based on BSPP threads

PSI= Bar x14.5 Inches= mm/25.4



HP SERIES

High pressure flat face couplers fitted with a safety locking sleeve

INTRODUCTION

Holmbury's HP Series flat face couplers provide a leak free solution for high pressure applications up to 720 bar. The safety locking sleeve prevents accidental disconnection and can only be disconnected when the release notch and locking ball align.

CONSTRUCTION

- Carbon steel with zinc nickel plating (1200 hours with no red rust in salt spray tests)
- Fitted with Nitrile seals

FEATURES

- Spring loaded safety locking sleeve fitted to prevent accidental disconnection, which automatically rotates through 90° when connected
- Flat faces are easily wiped clean
- Allows for minimal inclusion of air and contaminants during connection
- Flat face design prevents fluid loss during disconnection
- Bidirectional flow

ACCESSORIES

- Dust Caps and Plugs are available for the HP Series



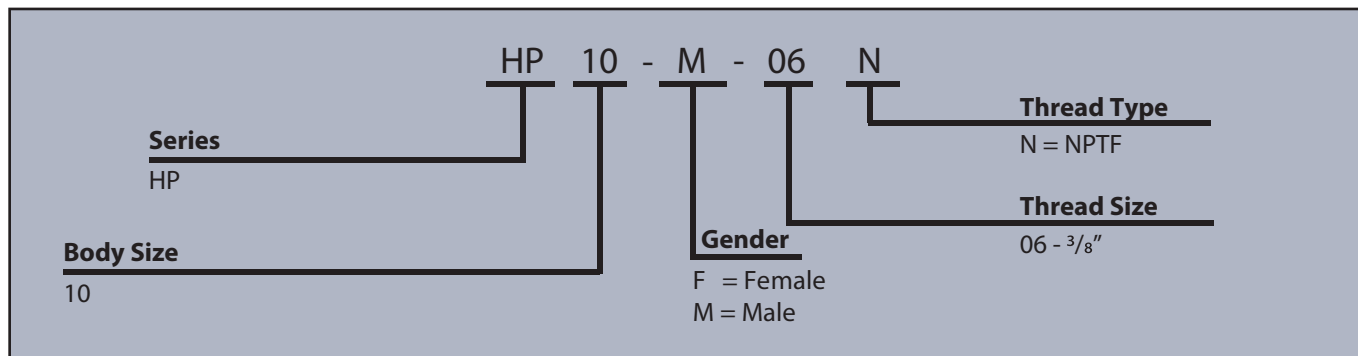
SPECIFICATIONS

- Operating temperatures (With Nitrile seals): -40°C (-40°F) to 106°C (223°F)

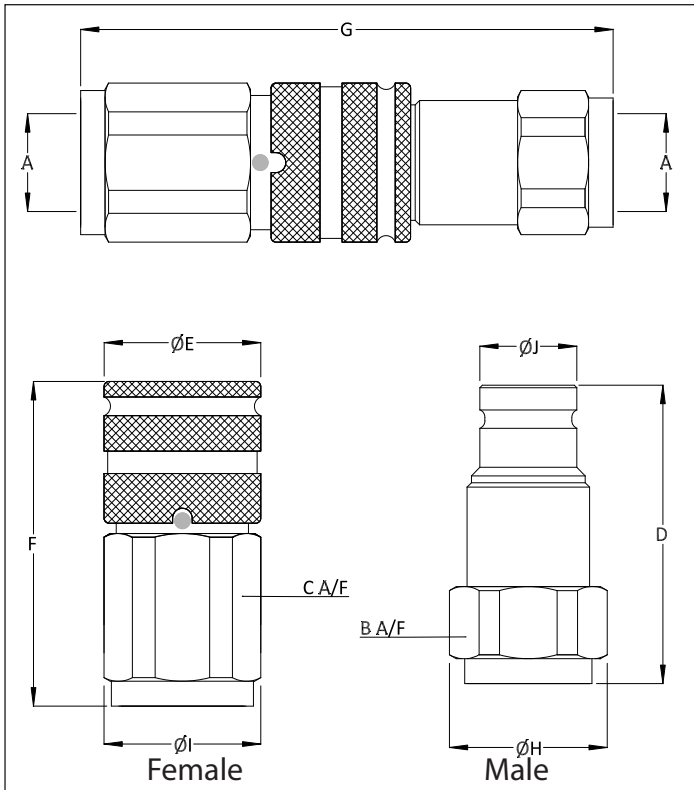
APPLICATIONS

- High pressure plant and equipment
- High pressure pulse applications
- Rail industries; especially on de-stressing kits
- Bolt tensioning
- Cutting tools
- Jacking applications

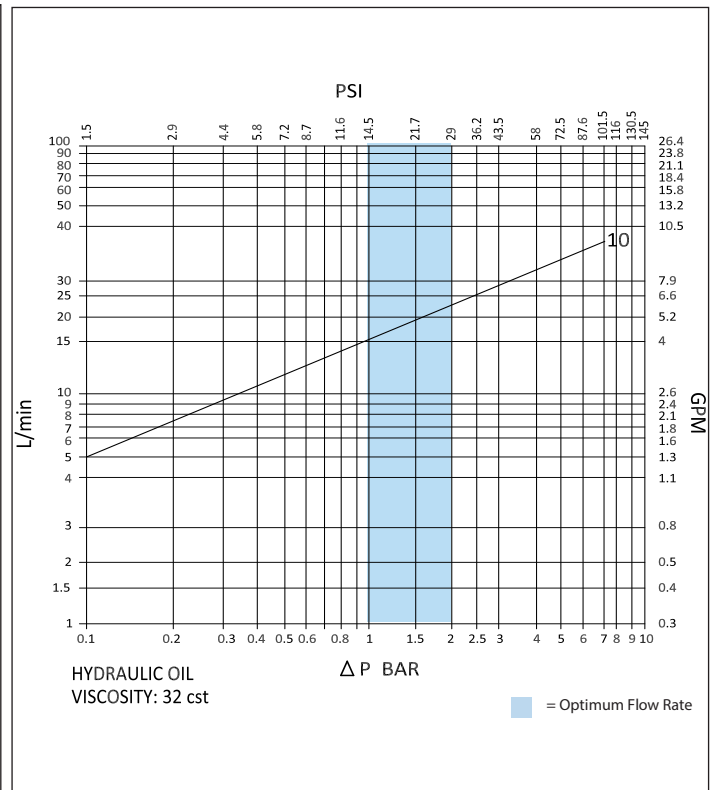
ORDER CODES



DRAWING



PRESSURE DROP CHARACTERISTICS



FLAT FACE COUPLERS

DIMENSIONS

Size	Thread Size (A)	B	C	D	$\varnothing E$	F	G	$\varnothing H$	$\varnothing I$	$\varnothing J$	Maximum Working Pressure	Burst Pressure (Coupled)	Burst Pressure (Male)	Burst Pressure (Female)
		Dimensions in mm									Bar			
		Dimensions in Inches									Psi			
HP 10	3/8"	27.0	30.0	63.0	34.0	74.5	121.5	29.0	32.0	19.5	720	2000	2000	1500
		1.1	1.2	2.5	1.3	2.9	4.8	1.1	1.3	0.8	10440	29000	29000	21750

PSI= Bar x14.5 Inches= mm/25.4



HFT SERIES

Screw connect flat face couplers

INTRODUCTION

Holmbury's HFT Series screw connect couplers incorporate all of the benefits from the flat face design, while the screw connection strengthens the coupler and eliminates brinelling. Connection and disconnection can be undertaken with high residual pressure in the hydraulic circuit. The HFT Series is an ideal solution for high pressure pulses and many other applications.

CONSTRUCTION

- Carbon steel with zinc nickel plating (1200 hours with no red rust in salt spray tests)
- Fitted with Nitrile seals

FEATURES

- Screw connect design eliminates brinelling
- Flat faces are easily wiped clean
- Allows for minimal inclusion of air and contaminants during connection
- Flat face design prevents fluid loss during disconnection
- Bidirectional flow

ACCESSORIES

- Dust Caps and Plugs are available for the HFT Series



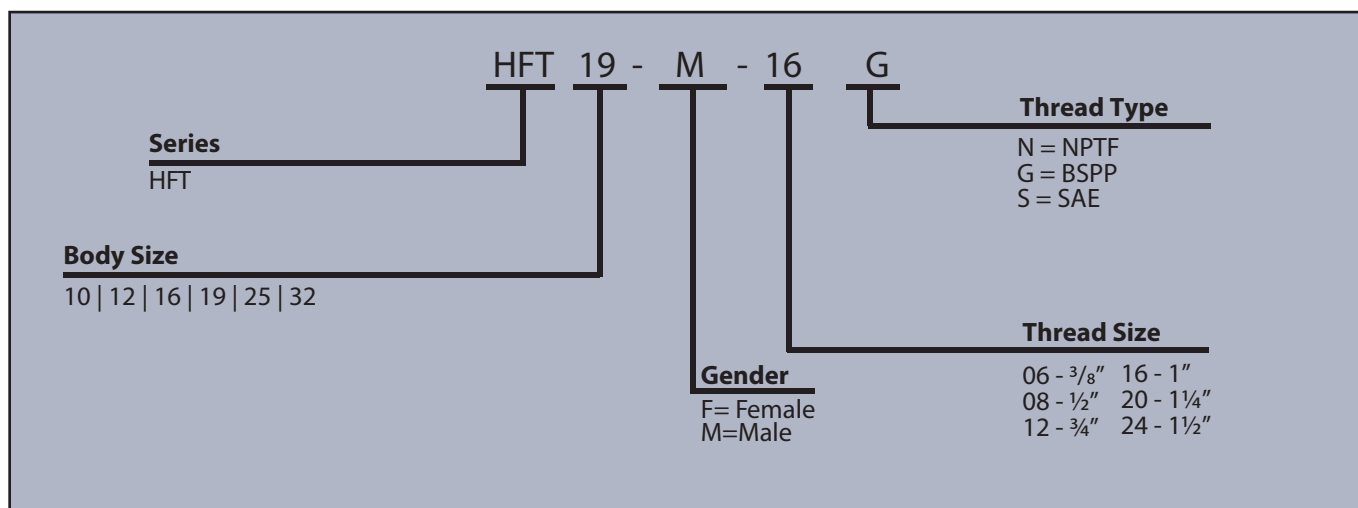
SPECIFICATIONS

- Operating temperatures (With Nitrile seals): -40°C (-40°F) to 106°C (223°F)
- API 16D certified and Lloyds approved for BOP applications (Except size 10)

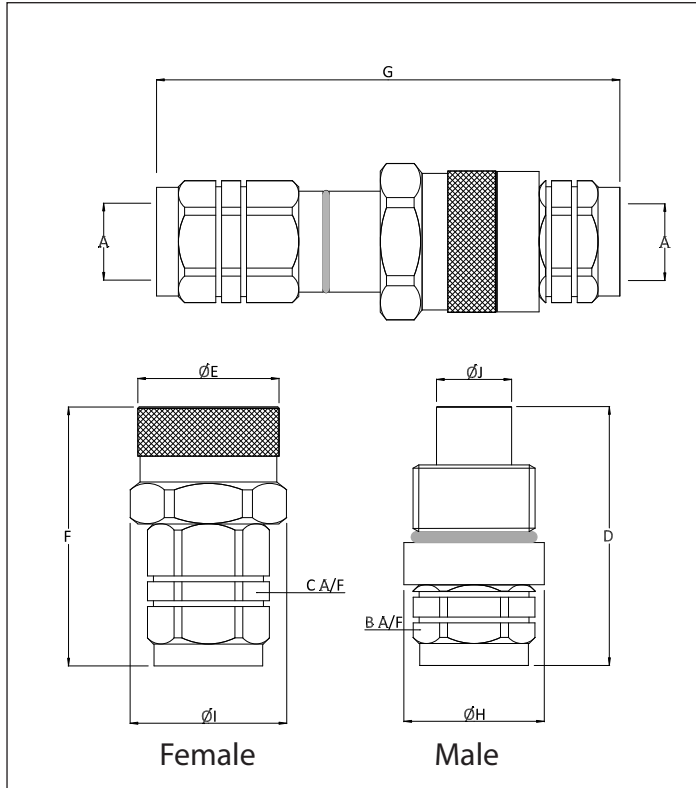
APPLICATIONS

- Blow out preventors (BOP) on oil & gas applications
- Hydraulic attachments
- Hammer circuits
- High pressure pulse applications
- Leak free environments
- Construction plant, mobile equipment, general industrial, nuclear, mining and agricultural industries

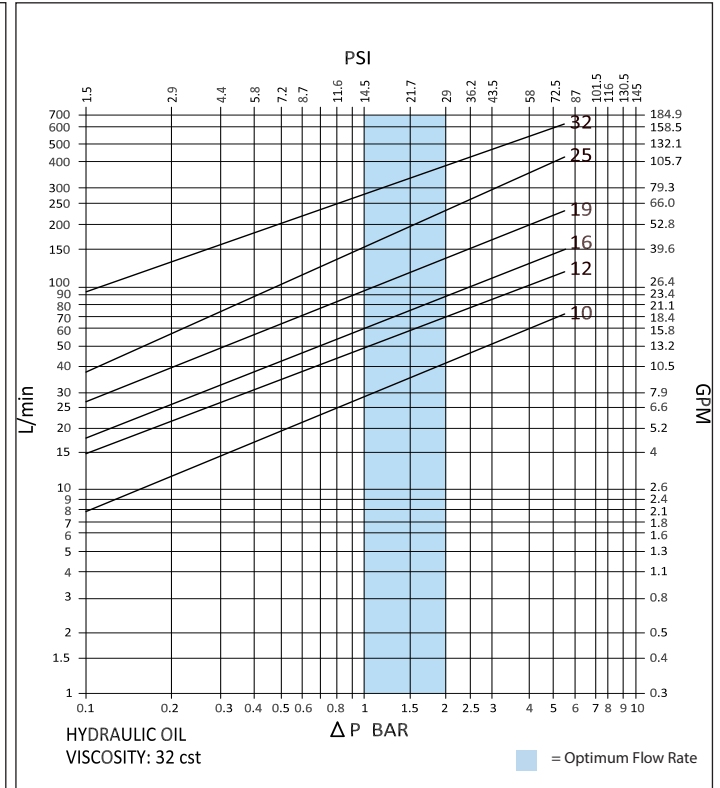
ORDER CODES



DRAWING



PRESSURE DROP CHARACTERISTICS



DIMENSIONS

Size	Thread Size (A)*	B	C	D	ØE	F	G	ØH	ØI	ØJ	Maximum Working Pressure	Burst Pressure (Coupled)	Burst Pressure (Male)	Burst Pressure (Female)
											Psi			
HFT 10	3/8"	27.0	30.0	75.5	38.0	70.0	130.0	38.0	42.0	19.5	550	1400	1400	1100
		1.1	1.2	3.0	1.5	2.8	5.1	1.5	1.7	0.8	7975	20300	20300	15950
HFT 10	1/2"	27.0	30.0	75.5	38.0	75.0	135.0	38.0	42.0	19.5	550	1400	1400	1100
		1.1	1.2	3.0	1.5	3.0	5.3	1.5	1.7	0.8	7975	20300	20300	15950
HFT 12	1/2"	36.0	36.0	84.5	46.0	85.0	152.0	46.0	51.0	24.5	550	1400	1400	1000
		1.4	1.4	3.3	1.8	3.3	6.0	1.8	2.0	1.0	7975	20300	20300	14500
HFT 12	3/4"	36.0	36.0	84.5	46.0	85.0	152.0	46.0	51.0	24.5	550	1400	1400	1000
		1.4	1.4	3.3	1.8	3.3	6.0	1.8	2.0	1.0	7975	20300	20300	14500
HFT 16	3/4"	41.0	41.0	112.0	53.5	85.0	178.0	50.0	53.5	27.0	550	1400	1400	1000
		1.6	1.6	4.4	2.1	3.3	7.0	2.0	2.1	1.1	7975	20300	20300	14500
HFT 19	1"	46.0	46.0	114.5	59.0	101.0	192.5	59.0	59.0	30.0	500	1400	1400	1050
		1.8	1.8	4.5	2.3	4.0	7.6	2.3	2.3	1.2	7250	20300	20300	15225
HFT 25	1 1/4"	55.0	55.0	130.5	70.0	108.0	214.5	70.0	70.0	36.0	470	1300	1300	1000
		2.2	2.2	5.1	2.8	4.3	8.4	2.8	2.8	1.4	6815	18850	18850	14500
HFT 32	1 1/2"	60.0	80.0	169.0	90.0	134.0	272.0	90.0	90.0	57.0	400	1100	1100	800
		2.4	3.1	6.7	3.5	5.3	10.7	3.5	3.5	2.2	5800	15950	15950	11600

*Dimensions based on BSPP threads

PSI= Bar x14.5 Inches= mm/25.4



HS SERIES

General purpose screw connect poppet couplers made to the ISO 14541 Standard

INTRODUCTION

Holmbury's HS Series screw connect couplers are designed primarily for high pressure pulse applications. They can be connected under residual system pressures of up to 50 bar. The HS Series is a cost effective, proven solution suited to many industries and applications.

CONSTRUCTION

- Carbon steel with trivalent plating
- Fitted with Nitrile seals
- Also available in AISI 316 stainless steel (See SHS Series)

FEATURES

- Screw connect design eliminates brinelling
- Modular construction enables numerous thread and connection options
- Can be connected with up to 50 bar residual pressure in the hydraulic circuit
- Bidirectional flow

SPECIFICATIONS

- Operating temperatures (With Nitrile seals): -40°C (-40°F) to 106°C (223°F)

APPLICATIONS

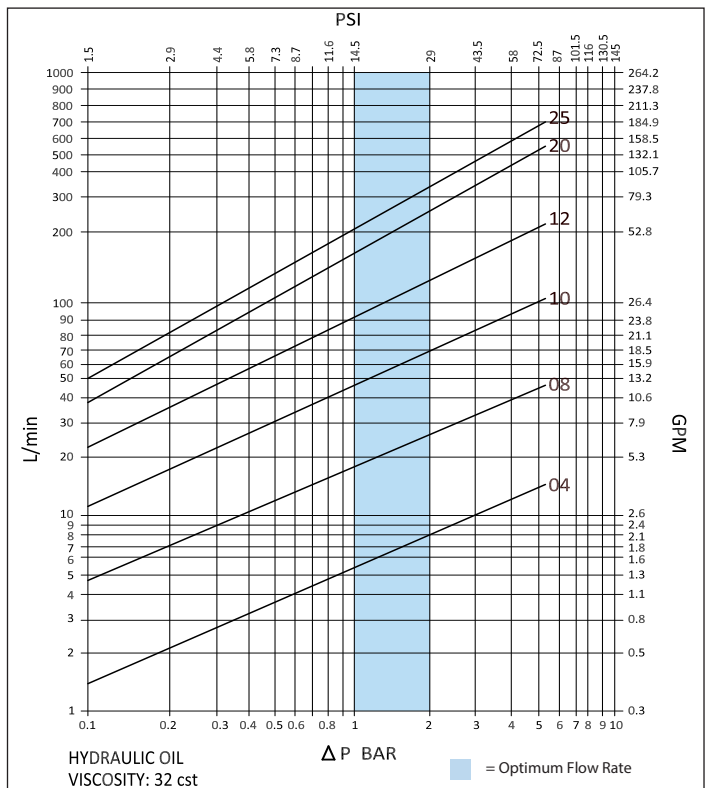
- Hammer circuits
- High pressure pulse applications
- Construction plant, mobile equipment, demolition and agricultural industries

ACCESSORIES

- Dust Caps and Plugs are available for the HS Series

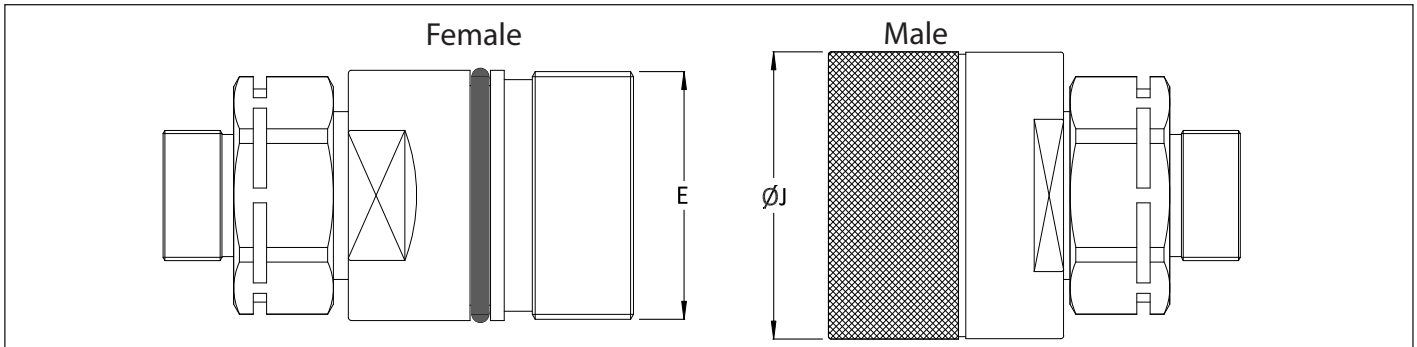


PRESSURE DROP CHARACTERISTICS

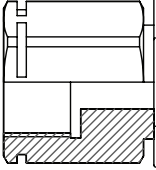
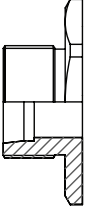
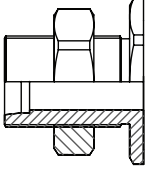


DRAWING

PRESSURE DROP CHARACTERISTICS



DIMENSIONS AND ORDER CODES

Thread Type	Body Size (A)	Front End Thread Connection (ØE)	ØJ	Maximum Working Pressure	Burst Pressure (Coupled)	Burst Pressure (Male)	Burst Pressure (Female)	Order Codes	
			mm						Bar
			Inches						Psi
 <p>Female thread DIN 3852</p>	04	M24 x 2	35.0	450	1800	1400	1400	<p>HS XX X X XXX</p> <p>Series Body Gender Thread Thread</p> <p>Size Size Size Type</p> <p>1 = Female 2 = Male</p> <p>IGF = BSP INF = NPT</p> <p>**Pipe & thread sizes available are dependant on body size selected please contact us or visit our website for available options**</p>	
			1.4	6525	26100	20300	20300		
	08	M28 x 2	34.0	450	1600	1550	1750		
			1.3	6525	23200	22475	25375		
	10	M36 x 2	42.1	400	1400	1200	1200		
			1.7	5800	20300	17400	17400		
	12	M42 x 2	48.5	400	1500	1200	1600		
			1.9	5800	21750	17400	23200		
	20	M48 x 3	55.0	300	1180	1100	1500		
			2.2	4350	17110	15950	21750		
	25	M70 x 3	85.0	300	1800	1200	1600		
			3.3	4350	26100	17400	23200		
 <p>Male stud with type W bore (24") DIN 3861</p>	04	M24 x 2	35.0	450	1800	1400	1400	<p>HS XX X X XX XX</p> <p>Series Body Gender Pipe Pipe Thread</p> <p>Size Size Diameter Size</p> <p>1 = Female L = Light Pipe 2 = Male S = Heavy Pipe</p> <p>**Pipe & thread sizes available are dependant on body size selected please contact us or visit our website for available options**</p>	
			1.4	6525	26100	20300	20300		
	08	M28 x 2	34.0	450	1600	1550	1750		
			1.3	6525	23200	22475	25375		
	10	M36 x 2	42.1	400	1400	1200	1200		
			1.7	5800	20300	17400	17400		
	12	M42 x 2	48.5	400	1500	1200	1600		
			1.9	5800	21750	17400	23200		
	20	M48 x 3	55.0	300	1180	1100	1500		
			2.2	4350	17110	15950	21750		
	25	M70 x 3	85.0	300	1800	1200	1600		
			3.3	4350	26100	17400	23200		
 <p>Male stud with type W bore (24") DIN 3861 Bulkhead</p>	04	M24 x 2	35.0	450	1800	1400	1400	<p>HS XX X X XX XX</p> <p>Series Body Gender Pipe Pipe Thread</p> <p>Size Size Diameter Size</p> <p>1 = Female N = Light Pipe 2 = Male T = Heavy Pipe</p> <p>**Pipe & thread sizes available are dependant on body size selected please contact us or visit our website for available options**</p>	
			1.4	6525	26100	20300	20300		
	08	M28 x 2	34.0	450	1600	1550	1750		
			1.3	6525	23200	22475	25375		
	10	M36 x 2	42.1	400	1400	1200	1200		
			1.7	5800	20300	17400	17400		
	12	M42 x 2	48.5	400	1500	1200	1600		
			1.9	5800	21750	17400	23200		
	20	M48 x 3	55.0	300	1180	1100	1500		
			2.2	4350	17110	15950	21750		
	25	M70 x 3	85.0	300	1800	1200	1600		
			3.3	4350	26100	17400	23200		

PSI = Bar x 14.5 Inches = mm/25.4



5000 SERIES

Heavy duty screw connect couplers

INTRODUCTION

Holmbury's 5000 Series screw connect couplers are designed for heavy-duty, high pressure pulse applications. They are built to withstand the most severe pressure pulses, where other couplers may fail, due to the design preventing the movement of internal components.

CONSTRUCTION

- Carbon steel with trivalent plating
- Available only with BSPP threads
- Fitted with Viton seals

FEATURES

- Screw connect design eliminates brinelling
- Bidirectional flow
- Once connected all internal parts are held rigid which significantly reduces fatigue of the poppet, spring and coupler body
- Can be connected and disconnected under pressure
- All internal components are replaceable
- Supplied with caps and plugs to protect threads and limit inclusion of contaminant

ACCESSORIES

- Dust Caps, Plugs, Seal Kits, Repair Kits, Mounting Brackets and Wrenches are available for the 5000 Series



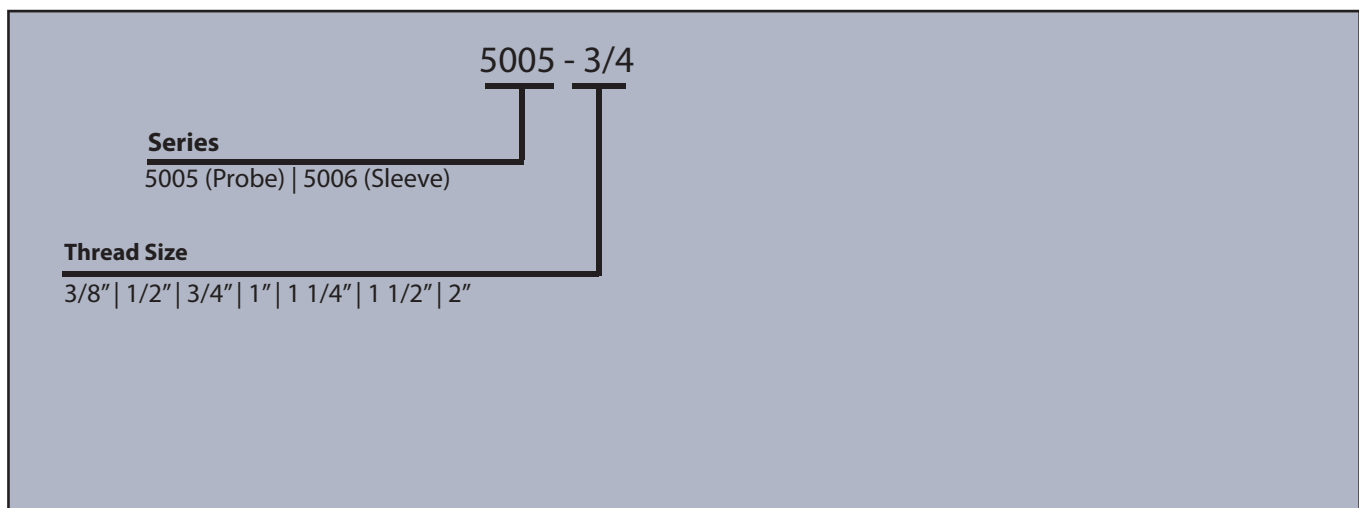
SPECIFICATIONS

- Operating temperatures (With Viton and Nitrile seals): -20°C (-4°F) to 120°C (248°F)

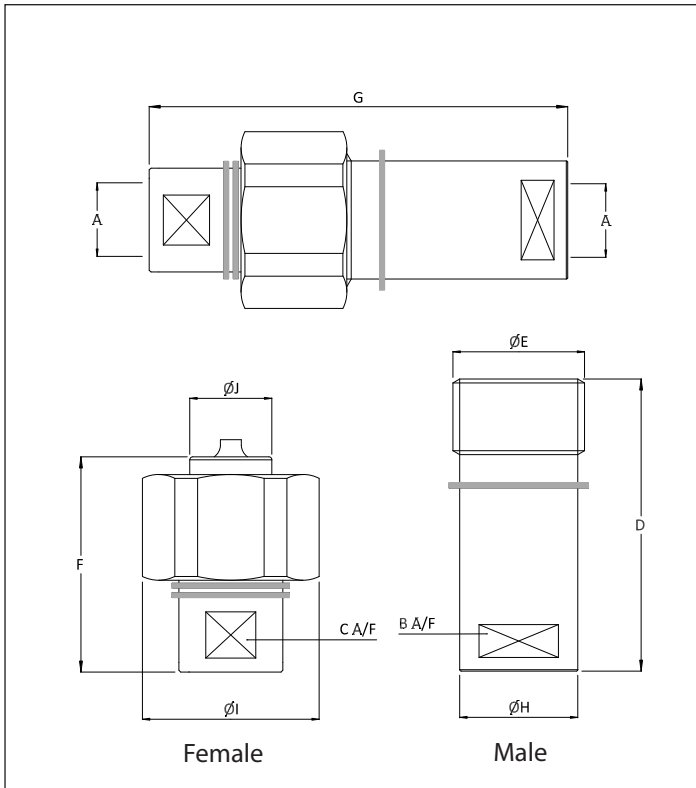
APPLICATIONS

- Hammer circuits
- Shears, rock crushers, test rigs and other intense pressure pulse applications

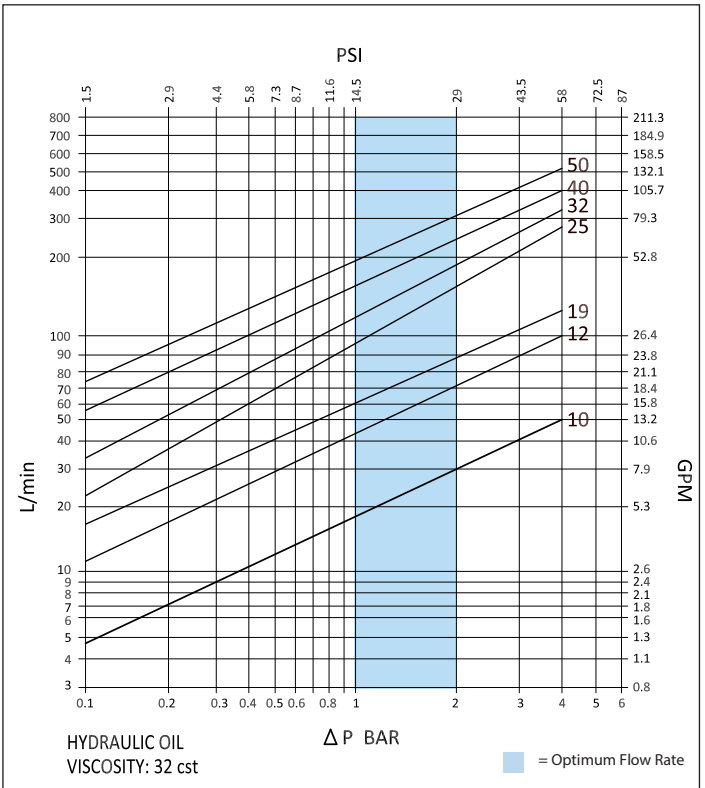
ORDER CODES



DRAWING



PRESSURE DROP CHARACTERISTICS



DIMENSIONS

Size	Thread Size (A)	B	C	D	ØE	F	G	ØH	ØI	ØJ	Maximum Working Pressure	Burst Pressure (Coupled)	Burst Pressure (Male)	Burst Pressure (Female)	
															Dimensions in mm
												Psi			
5000	3/8"	22.0	22.0	77.0	35.5	57.0	112.0	30.0	49.0	22.0	500	2000	2000	2000	
		0.9	0.9	3.0	1.4	2.2	4.4	1.2	1.9	0.9	7250	29000	29000	29000	
5000	1/2"	26.0	26.0	95.0	39.5	70.5	135.0	35.0	55.0	26.0	450	1800	1800	1800	
		1.0	1.0	3.7	1.6	2.8	5.3	1.4	2.2	1.0	6525	26100	26100	26100	
5000	3/4"	30.0	30.0	99.5	44.5	73.0	142.0	40.0	60.5	28.0	400	1600	1600	1600	
		1.2	1.2	3.9	1.8	2.9	5.6	1.6	2.4	1.1	5800	23200	23200	23200	
5000	1"	40.0	40.0	106.0	58.0	81.5	157.5	52.0	77.0	38.0	350	1400	1400	1400	
		1.6	1.6	4.2	2.3	3.2	6.2	2.0	3.0	1.5	5075	20300	20300	20300	
5000	1 1/4"	48.0	48.0	118.0	65.5	88.0	171.5	60.0	88.0	47.5	320	1280	1280	1280	
		1.9	1.9	4.6	2.6	3.5	6.8	2.4	3.5	1.9	4640	18560	18560	18560	
5000	1 1/2"	55.0	55.0	121.0	74.5	90.0	176.0	68.0	93.0	57.0	300	1200	1200	1200	
		2.2	2.2	4.8	2.9	3.5	6.9	2.7	3.7	2.2	4350	17400	17400	17400	
5000	2"	76.0	76.0	165.0	108.0	120.0	240.0	90.5	144.0	75.0	250	250	250	250	
		3.0	3.0	6.5	4.3	4.7	9.4	3.6	5.7	3.0	3625	3625	3625	3625	

PSI= Bar x14.5 Inches= mm/25.4



RH SERIES

Zero leakage screw connect couplers

INTRODUCTION

Holmbury's RH Series screw connect couplers are designed for heavy-duty service conditions in applications including construction plant, high pressure pulse and agricultural machinery.

CONSTRUCTION

- Carbon steel with zinc nickel plating (1200 hours with no red rust in salt spray tests)
- Fitted with Nitrile seals

FEATURES

- Screw connect design eliminates brinelling
- Allows for minimal inclusion of air and contaminants during connection
- Flat face design prevents fluid loss during disconnection
- Bidirectional flow
- Can be connected with up to 50 bar residual pressure in the hydraulic circuit

ACCESSORIES

- Dust Caps, Plugs and Seal Kits are available for the RH Series



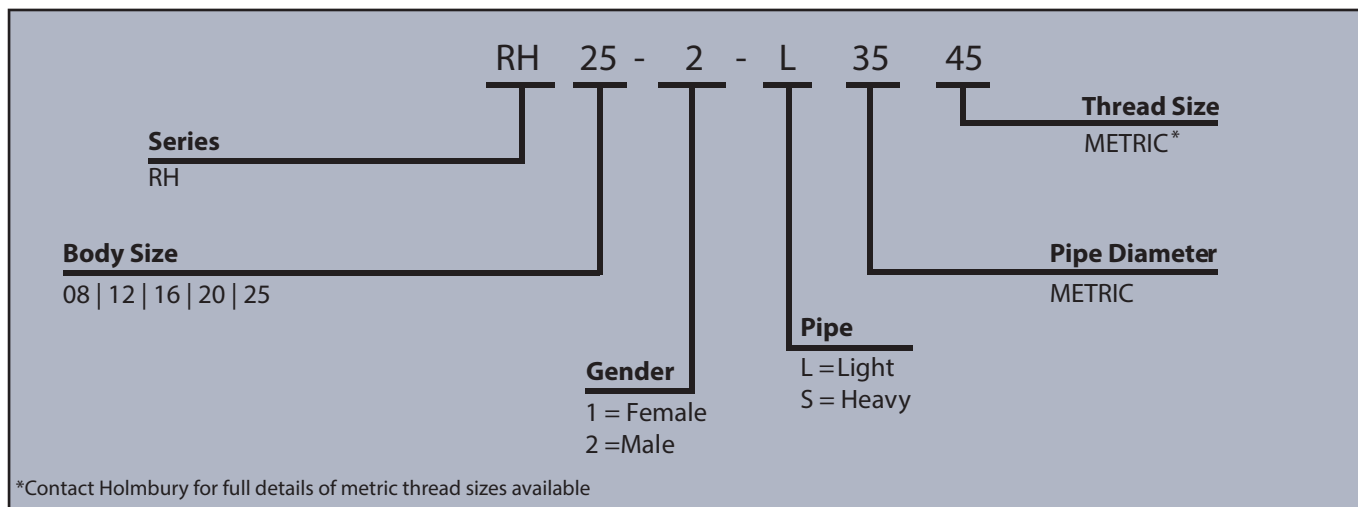
SPECIFICATIONS

- Operating temperatures (With Nitrile seals): -40°C (-40°F) to 106°C (223°F)

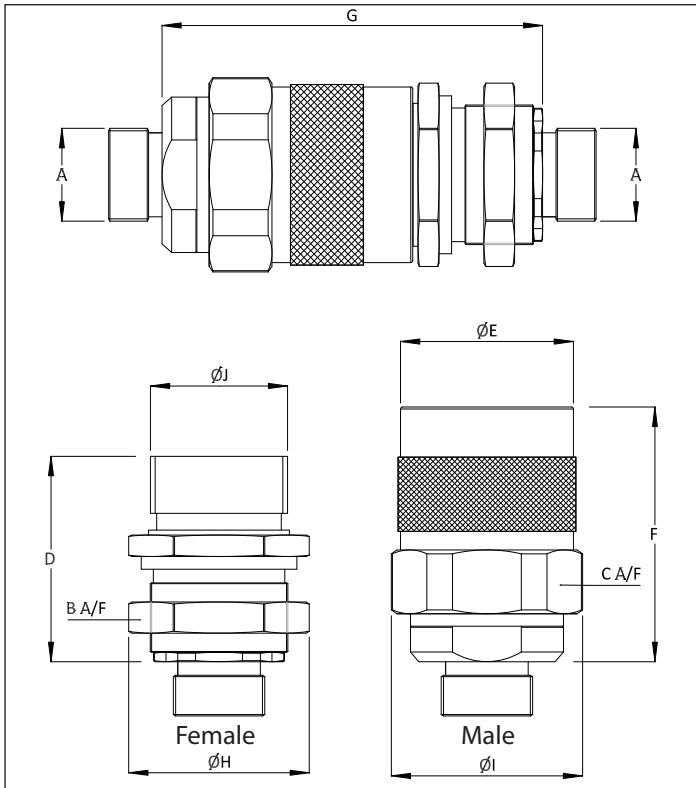
APPLICATIONS

- Hammer circuits
- High pressure pulse applications
- Construction plant, mobile equipment, demolition and agricultural industries

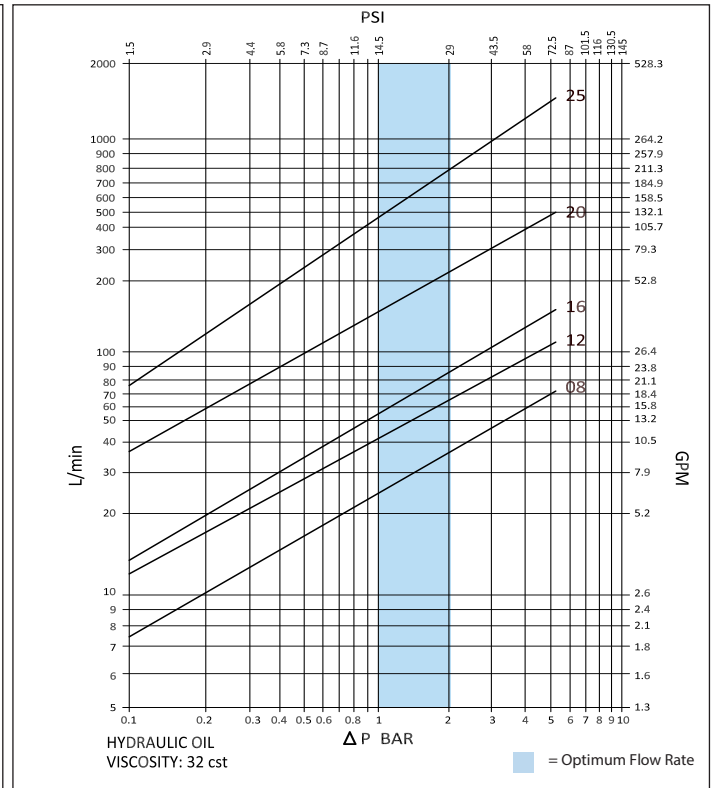
ORDER CODES



DRAWING



PRESSURE DROP CHARACTERISTICS



DIMENSIONS

Size	Front End Thread Connection (ØJ)	B	C	D	ØE	F	Maximum Working Pressure	Burst Pressure (Coupled)	Burst Pressure (Male)	Burst Pressure (Female)	
		Dimensions in mm						Bar			
		Dimensions in Inches						Psi			
RH 08	M32 x 3	36.0	36.0	44.0	39.0	50.0	420	1600	1600	1600	
		1.4	1.4	1.7	1.5	2.0	6090	23200	23200	23200	
RH 12	M36 x 3	41.0	46.0	53.0	45.0	66.0	420	1600	1260	1600	
		1.6	1.8	2.1	1.8	2.6	6090	23200	18270	23200	
RH 16	M48 x 3	50.0	60.0	55.0	59.0	55.0	420	1260	1260	1260	
		2.0	2.4	2.2	2.3	2.2	6090	18270	18270	18270	
RH 20	M54 x 4	46.0	55.0	78.0	64.0	91.0	350	1000	1200	1000	
		1.8	2.2	3.1	2.5	3.6	5075	14500	17400	14500	
RH 25	M79 x 4	55.0	80.0	106.0	90.0	120.0	420	1150	900	1100	
		2.2	3.1	4.2	3.5	4.7	6090	16675	13050	15950	

PSI= Bar x14.5 Inches= mm/25.4



PSP | PSB SERIES

High pressure screw connect poppet & ball couplers made to the ISO 14540 Standard

INTRODUCTION

Holmbury's PSP & PSB Series screw connect couplers are designed primarily for high pressure applications. They can be connected under low residual system pressures. The couplers are available with ball or poppet style valves.

CONSTRUCTION

- Carbon steel with trivalent plating
- Fitted with Polyurethane & Nitrile seals

FEATURES

- Screw connect design eliminates brinelling
- PSP offers poppet style valve
- PSB offers ball style valve
- Can be connected with low residual pressure in the hydraulic circuit
- Bidirectional flow

ACCESSORIES

- Dust Caps and Plugs are available for the PSP & PSB Series



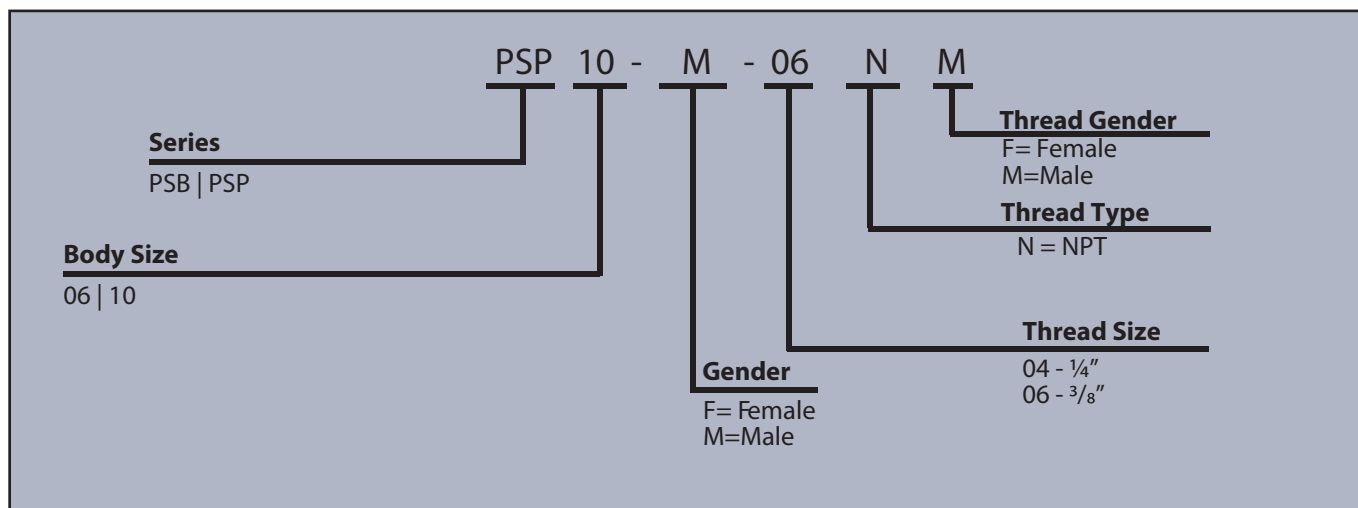
SPECIFICATIONS

- Operating temperatures (With Nitrile & Polyurethane seals): -30°C (-22°F) to 106°C (223°F)

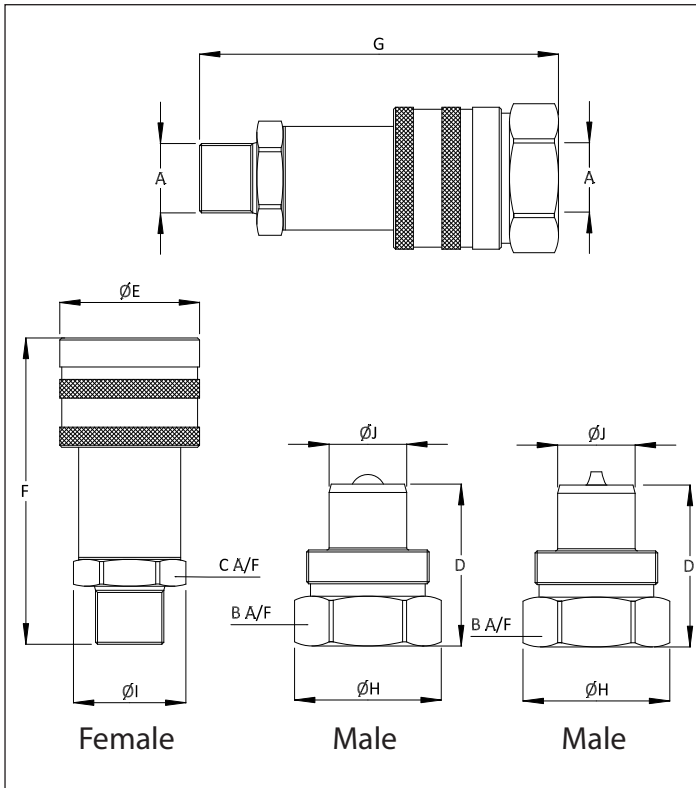
APPLICATIONS

- High pressure applications (Up to 700 bar for PSB and 1000 bar for PSP)
- General industrial, construction plant, mobile equipment, demolition and agricultural industries
- Hydraulic jacks
- Torque wrenches

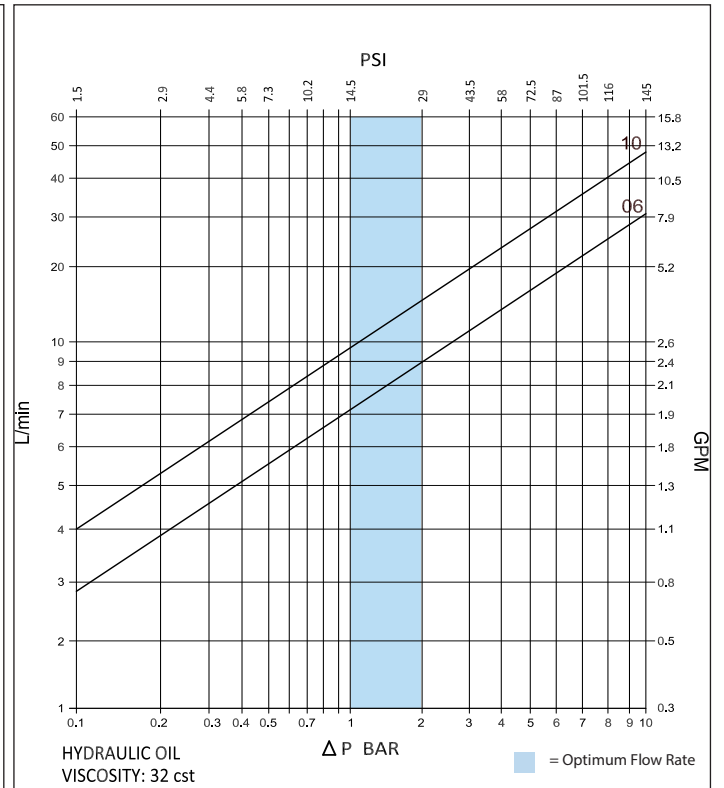
ORDER CODES



DRAWING



PRESSURE DROP CHARACTERISTICS



DIMENSIONS PSB

Size	Thread Size (A)	B	C	D	ØE	F	G	ØH	ØI	ØJ	Maximum Working Pressure	Burst Pressure (Coupled)	Burst Pressure (Male)	Burst Pressure (Female)
		Dimensions in mm									Bar			
		Dimensions in Inches									Psi			
PSB 06	1/4"	19.0	22.0	32.5	28.5	60.0	73.5	28.0	25.5	16.0	720	2160	1440	1400
		0.7	0.9	1.3	1.1	2.4	2.9	1.1	1.0	0.6	10440	31320	20880	20300
PSB 10	3/8"	32.0	25.0	35.0	34.0	73.5	83.5	35.0	28.5	19.0	720	2160	1440	1400
		1.3	1.0	1.4	1.3	2.9	3.3	1.4	1.1	0.7	10440	31320	20880	20300

DIMENSIONS PSP

Size	Thread Size (A)	B	C	D	ØE	F	G	ØH	ØI	ØJ	Maximum Working Pressure	Burst Pressure (Coupled)	Burst Pressure (Male)	Burst Pressure (Female)
		Dimensions in mm									Bar			
		Dimensions in Inches									Psi			
PSP 06	1/4"	19.0	22.0	32.5	28.5	60.0	73.5	28.0	25.5	16.0	1000	2160	2160	2100
		0.7	0.9	1.3	1.1	2.4	2.9	1.1	1.0	0.6	14500	31320	31320	30450
PSP 10	3/8"	32.0	25.0	35.0	34.0	73.5	83.5	35.0	28.5	19.0	1000	2160	2160	2100
		1.3	1.0	1.4	1.3	2.9	3.3	1.4	1.1	0.7	14500	31320	31320	30450

PSI= Bar x14.5 Inches= mm/25.4



TC SERIES

Screw connect tipper couplers

INTRODUCTION

Holmbury's TC Series screw connect tipper couplers are designed for use on tipper trucks. The female coupler has a wing nut sleeve which enables operators to connect the couplers by hand, even when there is low residual pressure in the line.

CONSTRUCTION

- Carbon steel with trivalent plating
- Fitted with Nitrile seals

FEATURES

- Screw connect design eliminates brinelling
- Wing nut sleeve design allows connection by hand
- Can be connected with up to 50 bar residual pressure in the hydraulic circuit
- Bidirectional flow
- Male has external thread for bulkhead mounting

ACCESSORIES

- Dust Caps and Plugs are available for the TC Series



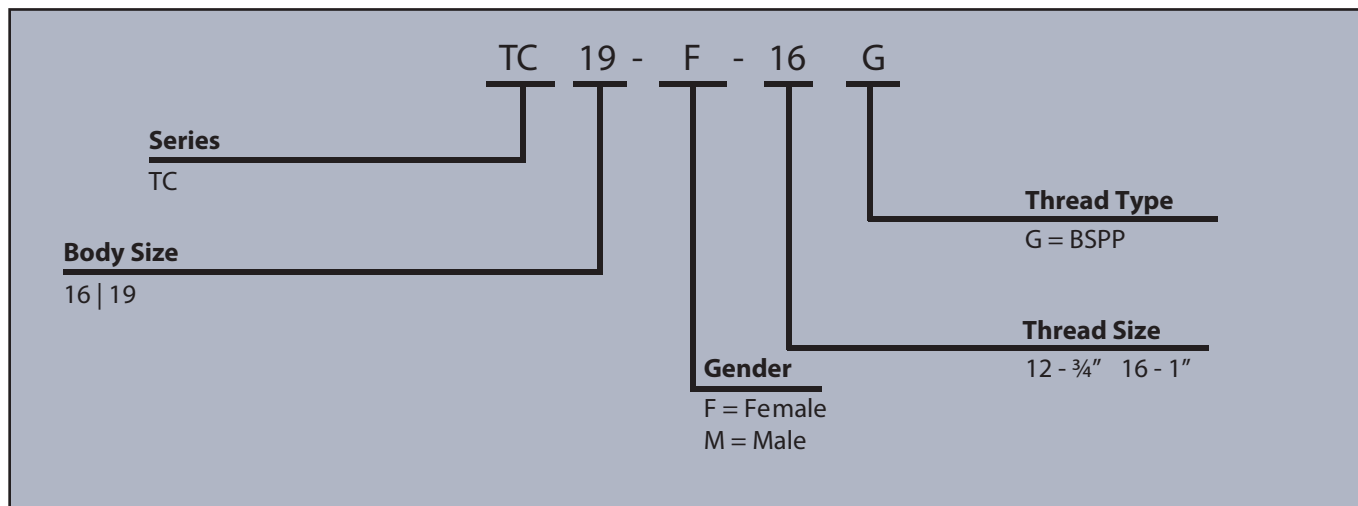
SPECIFICATIONS

- Operating temperatures (With Nitrile seals): -40°C (-40°F) to 106°C (223°F)

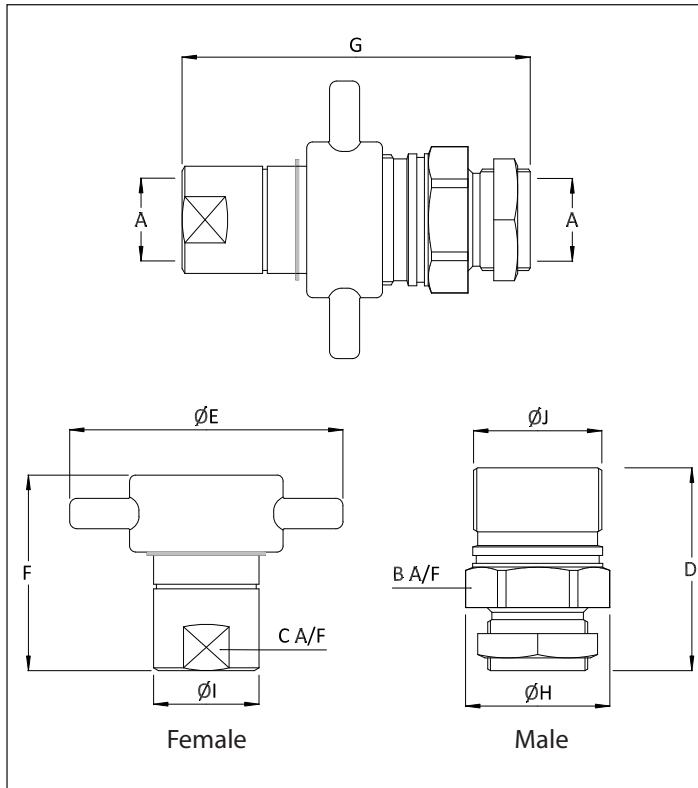
APPLICATIONS

- Tipper trucks
- Commercial vehicle trailers, agricultural equipment and construction plant
- Mobile plant

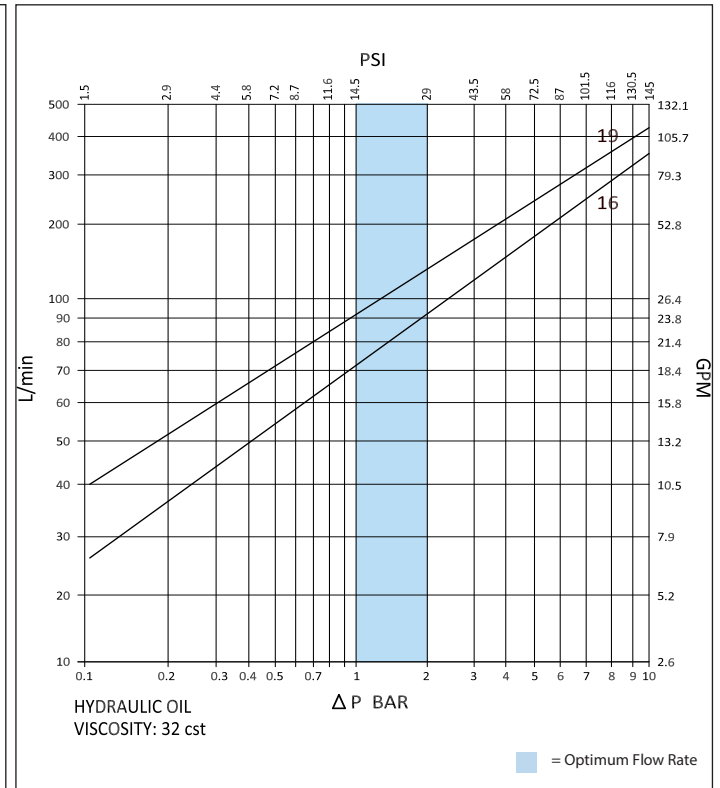
ORDER CODES



DRAWING



PRESSURE DROP CHARACTERISTICS



DIMENSIONS

Size	Thread Size (A)	B	C	D	ØE	F	G	ØH	ØI	ØJ	Maximum Working Pressure	Burst Pressure (Coupled)	Burst Pressure (Male)	Burst Pressure (Female)
		Dimensions in mm									Bar			
		Dimensions in Inches									Psi			
TC 16	3/4"	46.0	33.0	78.0	114.0	74.5	132.5	51.5	37.0	44.5	350	1325	1100	1300
		1.8	1.3	3.1	4.5	2.9	5.2	2.0	1.5	1.8	5075	19213	15950	18850
TC 19	1"	55.0	40.0	83.5	114.0	80.0	144.8	60.5	44.0	53.5	300	1325	1200	900
		2.2	1.6	3.3	4.5	3.1	5.7	2.4	1.7	2.1	4350	19213	17400	13050

PSI= Bar x14.5 Inches= mm/25.4



SP SERIES

High pressure screw connect couplers

INTRODUCTION

Holmbury's SP Series screw connect couplers are designed for heavy duty applications involving very high pressures and severe pressure pulses.

CONSTRUCTION

- Carbon steel with trivalent plating
- Fitted with Nitrile seals

FEATURES

- Screw connect design eliminates brinelling
- Can be connected with up to 50 bar residual pressure in the hydraulic circuit
- Bidirectional flow

ACCESSORIES

- Dust Caps and Plugs are available for the SP Series



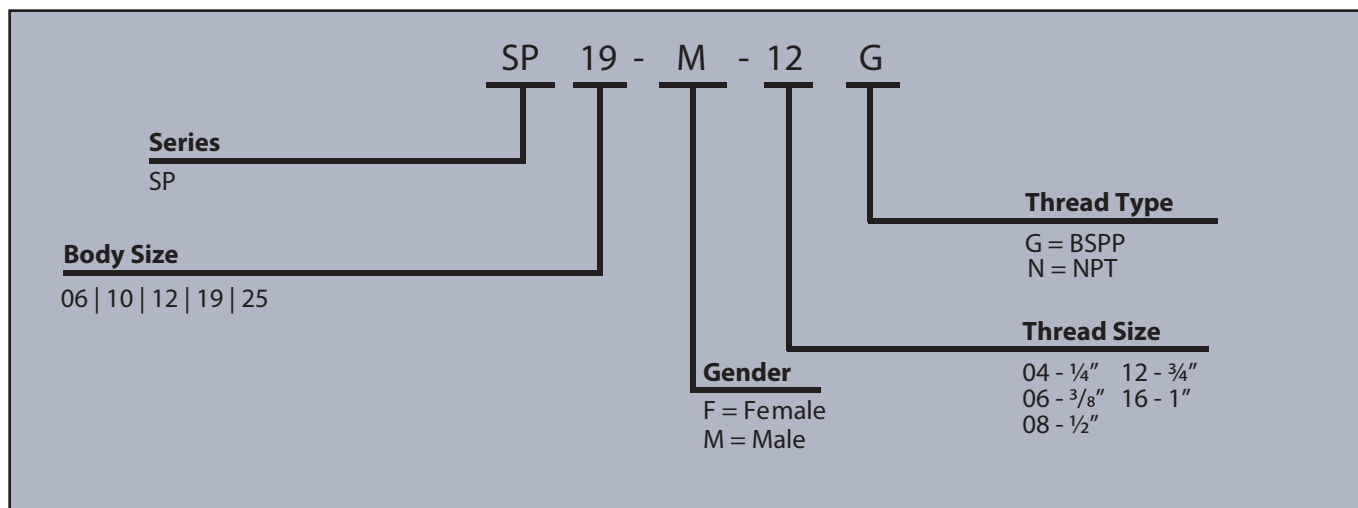
SPECIFICATIONS

- Operating temperatures (With Nitrile seals): -40°C (-40°F) to 106°C (223°F)

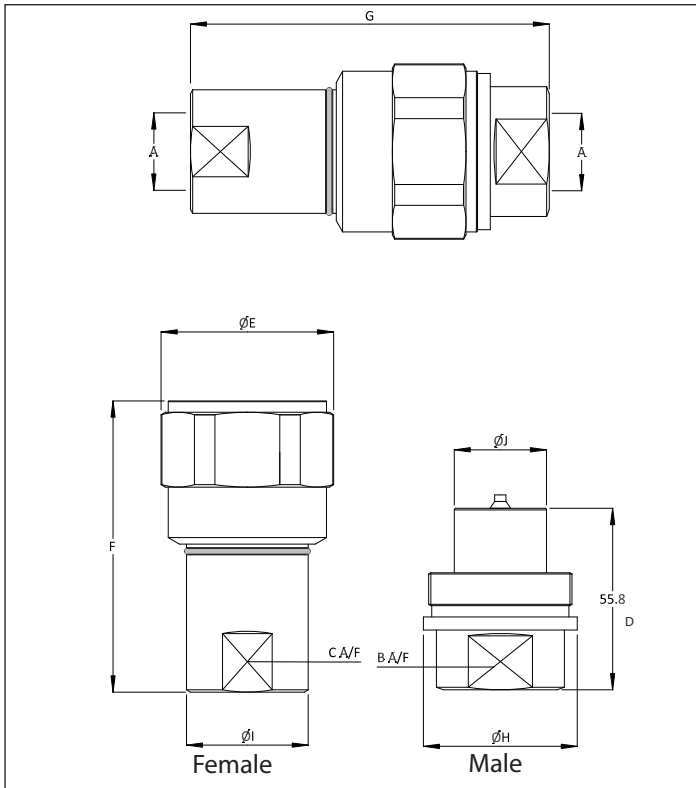
APPLICATIONS

- Hydraulic jacks
- Hydraulic hammers
- Construction plant, mobile equipment, demolition and agricultural industries

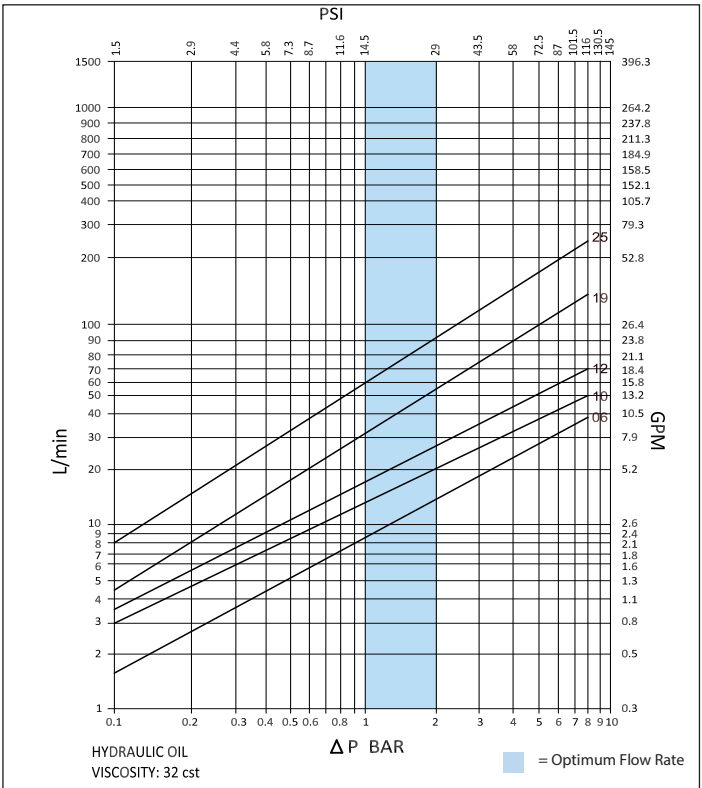
ORDER CODES



DRAWING



PRESSURE DROP CHARACTERISTICS



DIMENSIONS

Size	Thread Size (A)	B	C	D	ØE	F	G	ØH	ØI	ØJ	Maximum Working Pressure	Burst Pressure (Coupled)	Burst Pressure (Male)	Burst Pressure (Female)
		Dimensions in mm									Bar			
		Dimensions in Inches									Psi			
SP 06	1/4"	19.0	19.0	36.0	35.0	59.0	72.0	29.0	21.0	15.0	950	3800	3650	3500
		0.7	0.7	1.4	1.4	2.3	2.8	1.1	0.8	0.6	13775	55100	52925	50750
SP 10	3/8"	22.0	22.0	40.5	39.5	67.0	81.5	31.0	25.0	19.0	750	3000	3000	2900
		0.9	0.9	1.6	1.6	2.6	3.2	1.2	1.0	0.7	10875	43500	43500	42050
SP 12	1/2"	27.0	27.0	49.5	44.0	76.5	98.0	38.0	30.0	22.0	750	3000	2950	3000
		1.1	1.1	1.9	1.7	3.0	3.9	1.5	1.2	0.9	10875	43500	42775	43500
SP 19	3/4"	35.0	35.0	56.0	54.0	90.0	112.0	48.0	38.0	29.0	650	2600	2520	2500
		1.4	1.4	2.2	2.1	3.5	4.4	1.9	1.5	1.1	9425	37700	36540	36250
SP 25	1"	41.0	41.0	66.0	73.0	105.5	132.5	59.0	48.0	36.0	450	1800	1800	1650
		1.6	1.6	2.6	2.9	4.2	5.2	2.3	1.9	1.4	6525	26100	26100	23925

PSI= Bar x14.5 Inches= mm/25.4



PTC SERIES

High pressure heavy duty screw connect couplers

INTRODUCTION

Holmbury's PTC Series screw connect couplers are designed for heavy duty applications involving very high pressures and severe pressure pulse conditions.

CONSTRUCTION

- Carbon steel with trivalent plating
- Fitted with Nitrile seals
- Also available in AISI 316 stainless steel (See PTS Series)

FEATURES

- Screw connect design eliminates brinelling
- Can be connected with up to 50 bar residual pressure in the hydraulic circuit
- Bidirectional flow

ACCESSORIES

- Dust Caps and Plugs are available for the PTC Series



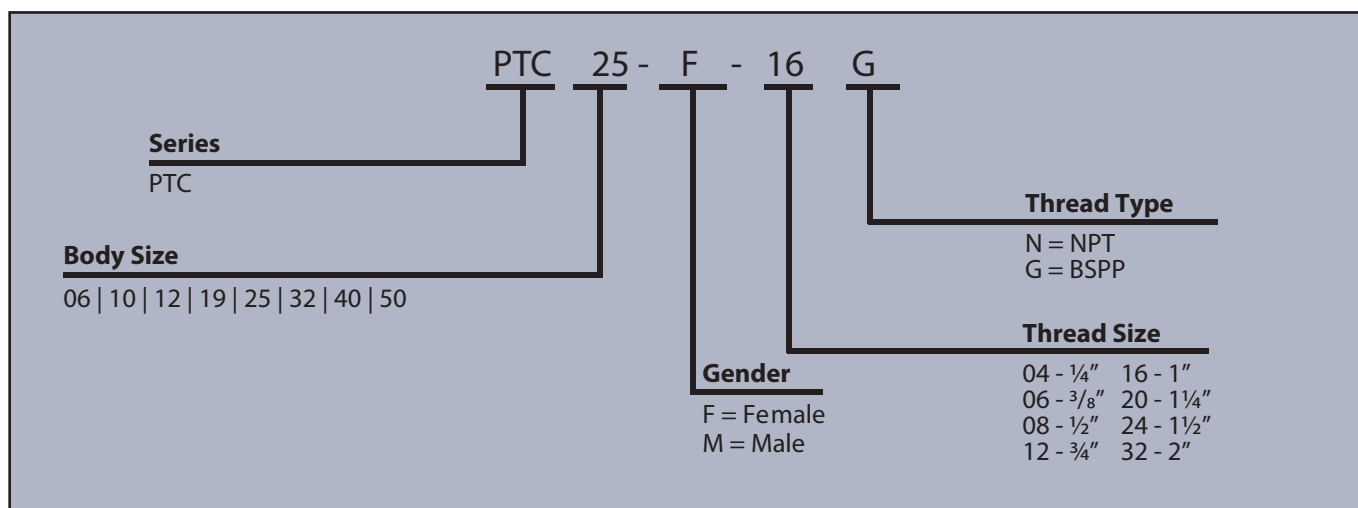
SPECIFICATIONS

- Operating temperatures (With Nitrile seals): -40°C (-40°F) to 106°C (223°F)

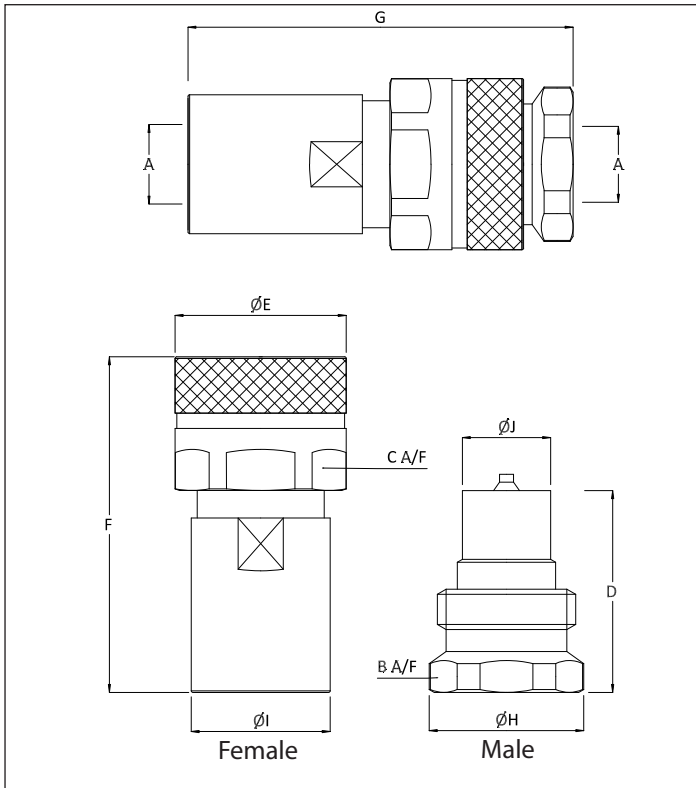
APPLICATIONS

- Hydraulic jacks
- Hydraulic hammers
- Construction plant, mobile equipment, demolition and agricultural industries

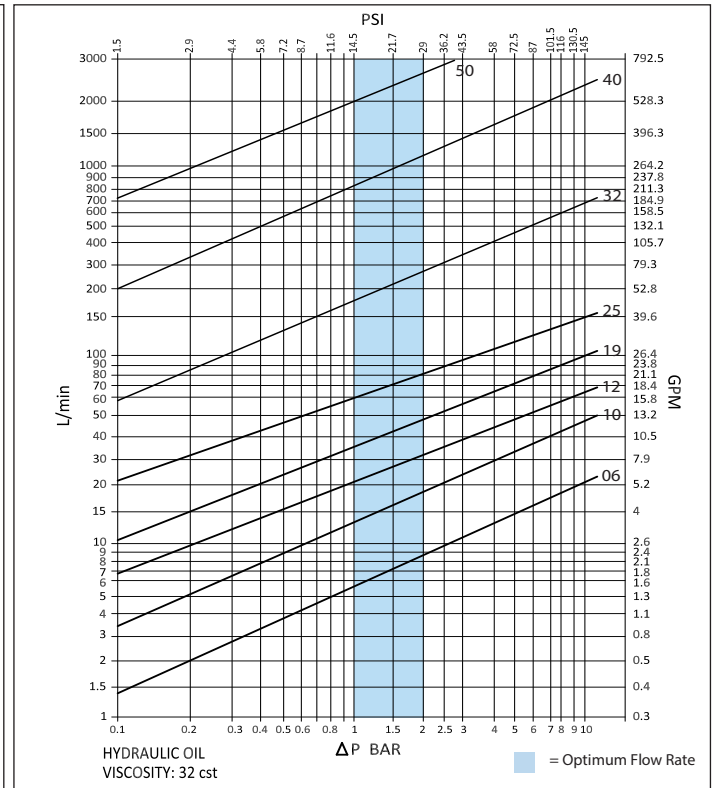
ORDER CODES



DRAWING



PRESSURE DROP CHARACTERISTICS



DIMENSIONS

Size	Thread Size (A)*	B	C	D	ØE	F	G	ØH	ØI	ØJ	Maximum Working Pressure	Burst Pressure (Coupled)	Burst Pressure (Male)	Burst Pressure (Female)
		Dimensions in mm									Bar			
		Dimensions in Inches									Psi			
PTC 06	1/4"	25.0	27.0	43.0	30.0	61.5	84.5	27.0	25.0	14.0	800	2500	2400	2400
		1.0	1.1	1.7	1.2	2.4	3.3	1.1	1.0	0.6	11600	36250	34800	34800
PTC 10	3/8"	32.0	36.0	48.5	39.0	69.0	89.5	35.0	32.0	19.0	750	2350	2850	2450
		1.3	1.4	1.9	1.5	2.7	3.5	1.4	1.3	0.7	10875	34075	41325	35525
PTC 12	1/2"	34.0	41.0	53.0	44.0	79.0	103.0	38.0	38.0	20.5	750	2180	2400	2180
		1.3	1.6	2.1	1.7	3.1	4.1	1.5	1.5	0.8	10875	31610	34800	31610
PTC 19	3/4"	46.0	50.0	63.0	54.0	97.5	121.5	48.5	44.0	28.0	700	2140	2120	2300
		1.8	2.0	2.5	2.1	3.8	4.8	1.9	1.7	1.1	10150	31030	30740	33350
PTC 25	1"	50.0	54.5	72.5	59.0	112.5	139.0	54.0	54.0	31.5	550	1960	1580	2220
		2.0	2.1	2.9	2.3	4.4	5.5	2.1	2.1	1.2	7975	28420	22910	32190
PTC 32	1 1/4"	65.0	74.5	86.0	80.0	139.5	167.0	70.0	69.5	44.0	550	2000	1780	1780
		2.6	2.9	3.4	3.1	5.5	6.6	2.8	2.7	1.7	7975	29000	25810	25810
PTC 40	1 1/2"	80.0	90.0	95.0	98.0	172.0	188.0	83.0	78.5	53.5	400	1480	1180	1290
		3.1	3.5	3.7	3.9	6.8	7.4	3.3	3.1	2.1	5800	21460	17110	18705
PTC 50	2"	110.0	123.0	118.5	127.5	160.0	228.0	115.5	105.0	82.0	350	1020	1300	1300
		4.3	4.8	4.7	5.0	6.3	9.0	4.5	4.1	3.2	5075	14790	18850	18850

*Dimensions based on BSPP threads

PSI= Bar x14.5 Inches= mm/25.4



LC SERIES

Heavy duty screw connect couplers

INTRODUCTION

Holmbury's LC Series heavy duty, screw connect couplers are an ideal solution for hydraulic circuits where high pressure or pressure impulses are present. They are designed primarily for heavy duty applications. An API 16D certified version of LC Series is available in sizes 19 | 25 | 32 which are Lloyds certified in accordance with API 16D and the EUB Directive #36 and suitable for the Oil & Gas industries, for use in blow out preventer (BOP) applications.

CONSTRUCTION

- Carbon steel with trivalent plating
- Cast steel heavy duty sleeve
- Fitted with Nitrile seals

FEATURES

- Inspection hole enables check of complete connection between both halves
- Screw connect design eliminates brinelling
- Hard wearing heavy duty sleeve
- Bidirectional flow

ACCESSORIES

- Dust caps and Plugs are available for the LC Series



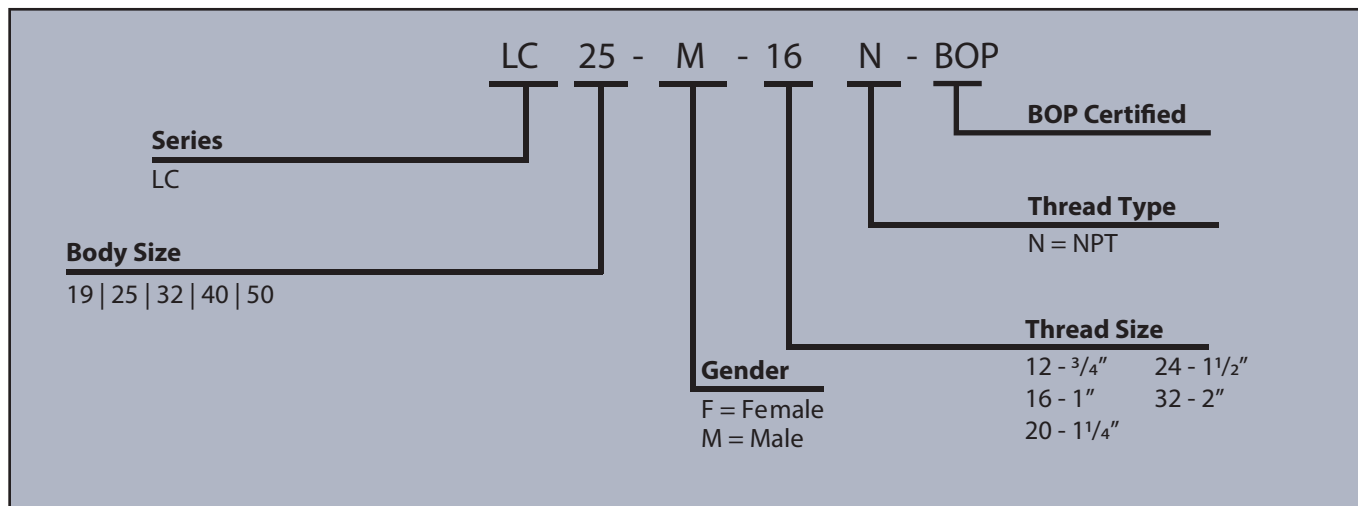
SPECIFICATIONS

- Operating temperatures (With Nitrile seals): -40°C (-40°F) to 106°C (223°F)
- API 16D certified and Lloyds approved for BOP applications in sizes 19 to 32

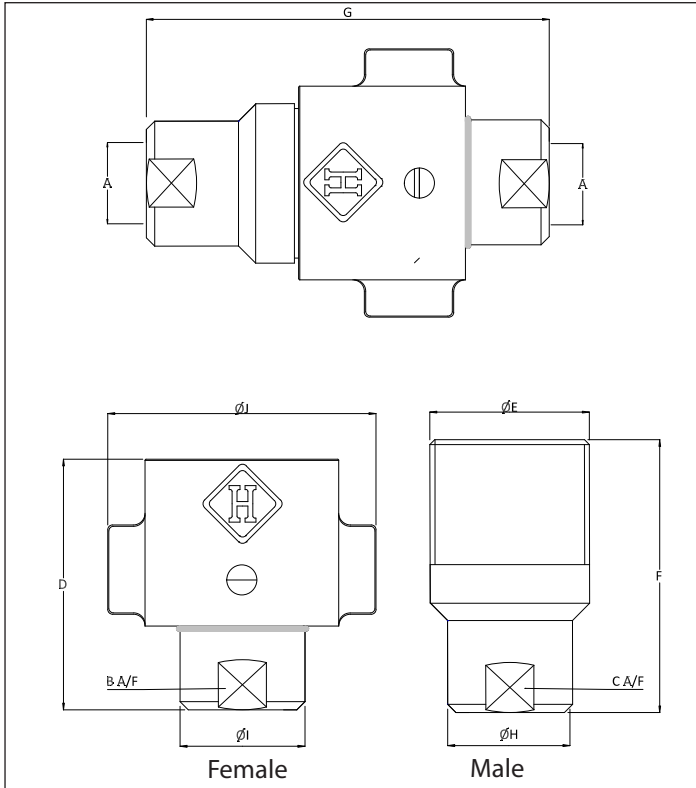
APPLICATIONS

- Heavy duty applications
- High pressure pulse applications

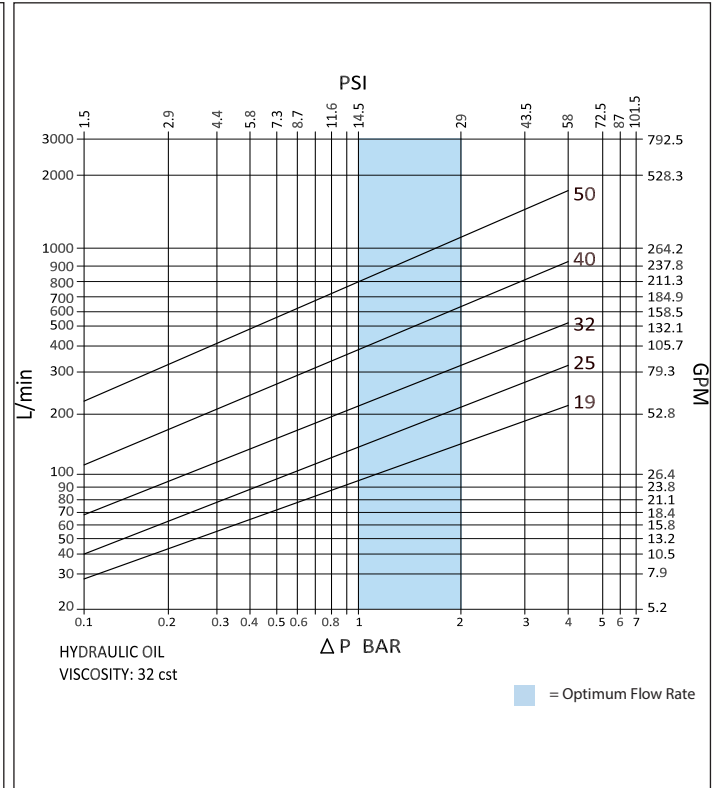
ORDER CODES



DRAWING



PRESSURE DROP CHARACTERISTICS



SCREW CONNECT COUPLERS

DIMENSIONS

Size	Thread Size (A)	Dimensions in mm							Bar			
		D	ØE	F	G	ØH	ØI	ØJ	Maximum Working Pressure	Burst Pressure (Coupled)	Burst Pressure (Male)	Burst Pressure (Female)
		Dimensions in Inches							Psi			
LC 19	3/4"	70.0	44.5	83.0	124.0	32.0	32.0	82.5	345	1380	1380	1380
		2.8	1.8	3.3	4.9	1.3	1.3	3.2	5000	20010	20010	20010
LC 25	1"	87.0	57.0	106.0	153.5	41.0	41.0	102.0	345	1380	1380	1380
		3.4	2.2	4.2	6.0	1.6	1.6	4.0	5000	20010	20010	20010
LC 32	1 1/4"	109.0	66.5	136.0	198.0	50.0	50.0	119.0	345	1050	1050	1050
		4.3	2.6	5.4	7.8	2.0	2.0	4.7	5000	15225	15225	15225
LC 40	1 1/2"	128.5	82.5	150.0	220.0	58.0	58.0	138.0	345	1050	1050	1050
		5.1	3.2	5.9	8.7	2.3	2.3	5.4	5000	15225	15225	15225
LC 50	2"	152.0	101.5	179.0	255.0	75.0	75.0	170.0	345	1050	1050	1050
		6.0	4.0	7.0	10.0	3.0	3.0	6.7	5000	15225	15225	15225

PSI= Bar x14.5 Inches= mm/25.4



PS SERIES

Extra heavy duty high flow couplers

INTRODUCTION

Holmbury's PS Series extra heavy duty screw couplers have been developed to withstand high flows, intense pressure pulses and vibration. At an independent test laboratory they have exceeded 3,000,000 impulse cycles while being subjected to heavy vibration in the horizontal and vertical planes.

CONSTRUCTION

- Carbon steel with zinc nickel plating (1200 hours with no red rust in salt spray tests)
- Fitted with Viton seals

FEATURES

- Screw connect design eliminates brinelling
- Once fully connected all internal components are held rigid, significantly reducing the risk of material fatigue
- Can accommodate flow rates up to 1000 L/Min with minimal pressure drop
- Attachment changeover time significantly quicker than with fixed pipes or valves
- Can be connected with up to 50 bar residual pressure in the hydraulic circuit
- Bidirectional flow

ACCESSORIES

- Dust Caps and Plugs are available for the PS Series



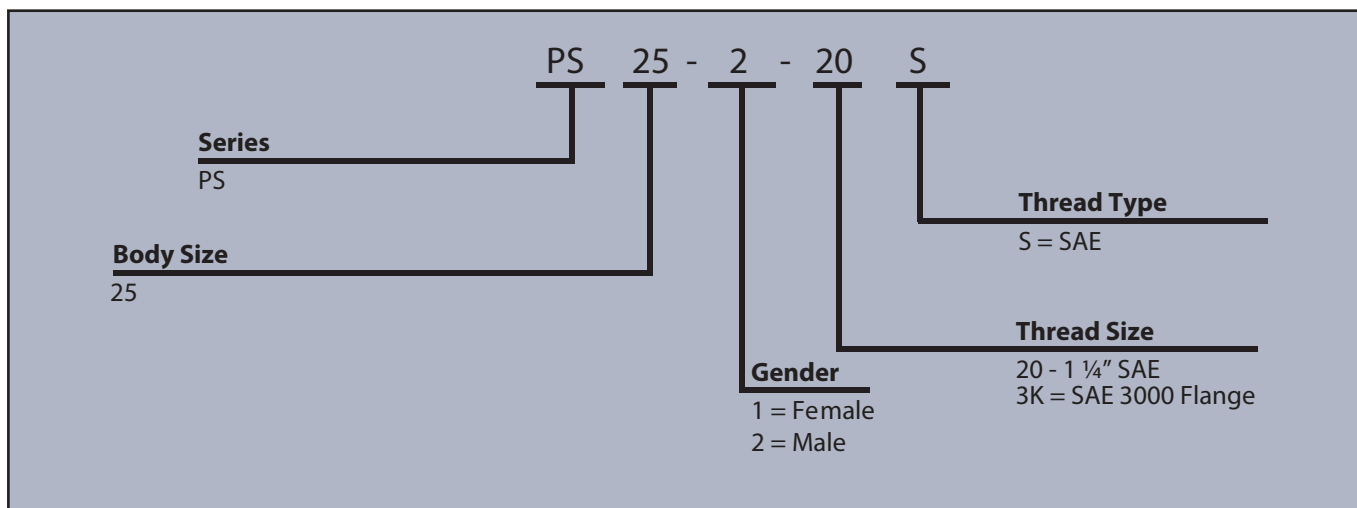
SPECIFICATIONS

- Operating temperatures (With Viton seals): -20°C (-4°F) to 200°C (392°F)

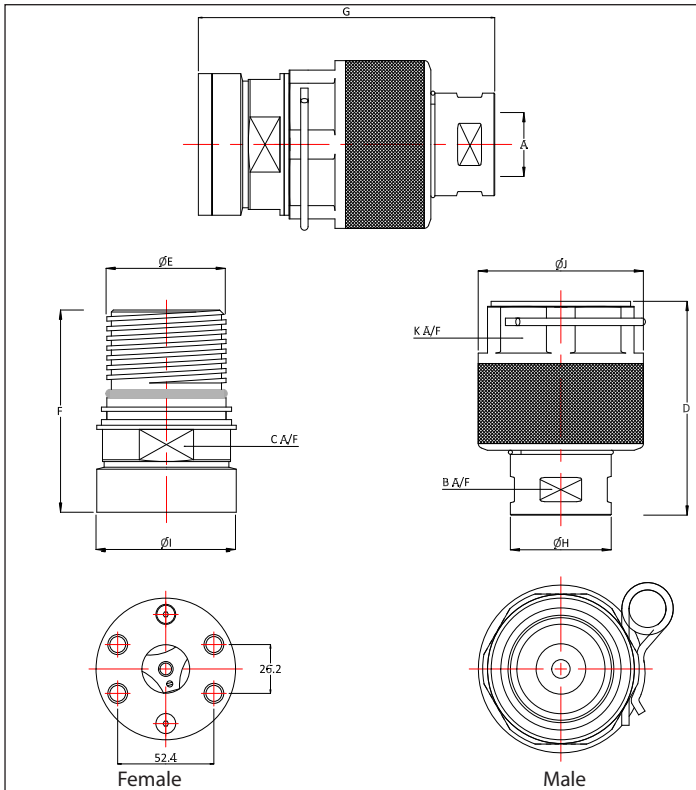
APPLICATIONS

- High reach demolition machines
- Large excavators over 20 tons

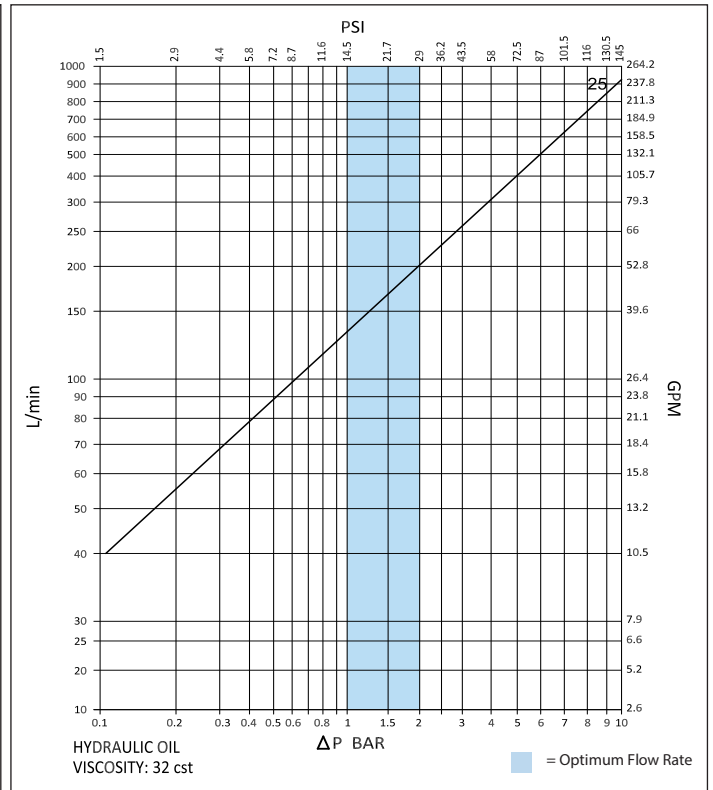
ORDER CODES



DRAWING



PRESSURE DROP CHARACTERISTICS



SCREW CONNECT COUPLERS

DIMENSIONS

Size	Thread Size (A)	B	C	K	D	ØE	F	G	ØH	ØI	ØJ	Maximum Working Pressure	Burst Pressure (Coupled)	Burst Pressure (Male)	Burst Pressure (Female)
		Dimensions in mm										Bar			
		Dimensions in Inches										Psi			
PS 25	1-1/4"	50.0	70.0	80.0	111.5	65.0	108.5	160.0	55.0	76.0	90.0	500	2000	2000	2000
		2.0	2.8	3.1	4.4	2.6	4.3	6.3	2.2	3.0	3.5	7250	29000	29000	29000

PSI= Bar x14.5 Inches= mm/25.4



IA / IAZ SERIES

ISO A couplers made to the ISO 7241:2014 Series A Standard

INTRODUCTION

Holmbury's IA / IAZ Series ISO A couplers are the ideal choice where a tough, durable product of superior quality is required. They are perfectly suited to agricultural and industrial applications.

CONSTRUCTION

- Carbon steel with trivalent plating (Zinc nickel plating available with IAZ Series)
- Fitted with Nitrile seals (Viton seals available)
- Also available in AISI 316 stainless steel (See IAS Series)

FEATURES

- Optional zinc nickel plating provides corrosion resistance (1200 hours with no red rust in salt spray tests)
- Poppet valves have balanced springs
- Locking ball system allows quick connection
- Bidirectional flow

ACCESSORIES

- Dust Caps, Plugs, Parking Stations and Seal Kits are available for the IA / IAZ Series



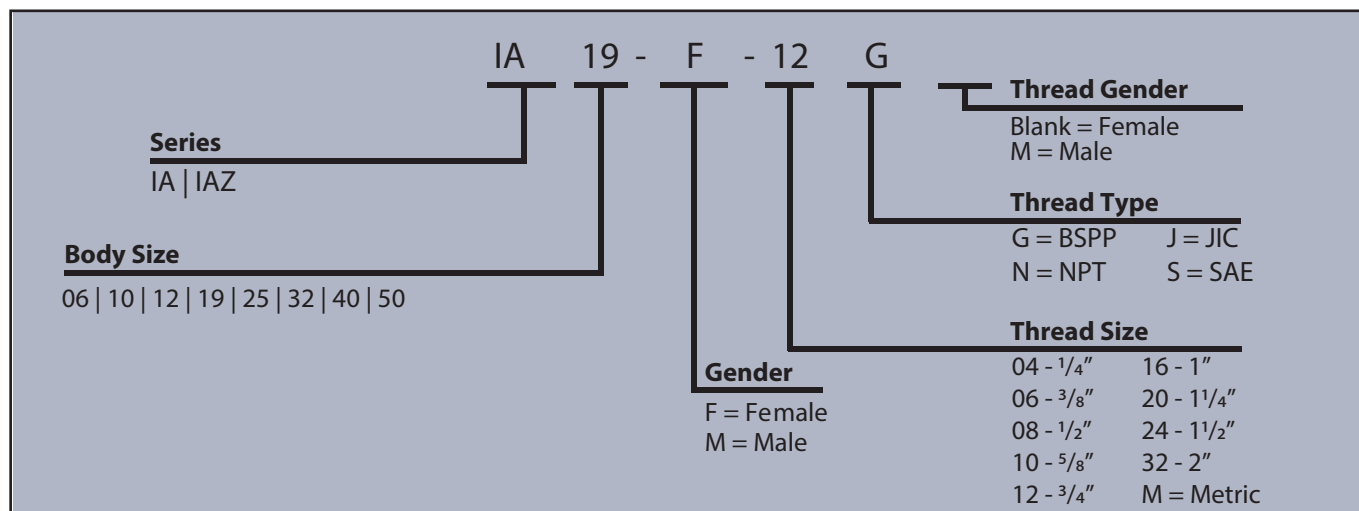
SPECIFICATIONS

- Operating temperatures (with Nitrile seals): -40°C (-40°F) to 106°C (223°F), (with Viton seals): -20°C (-4°F) to 200°C (392°F)

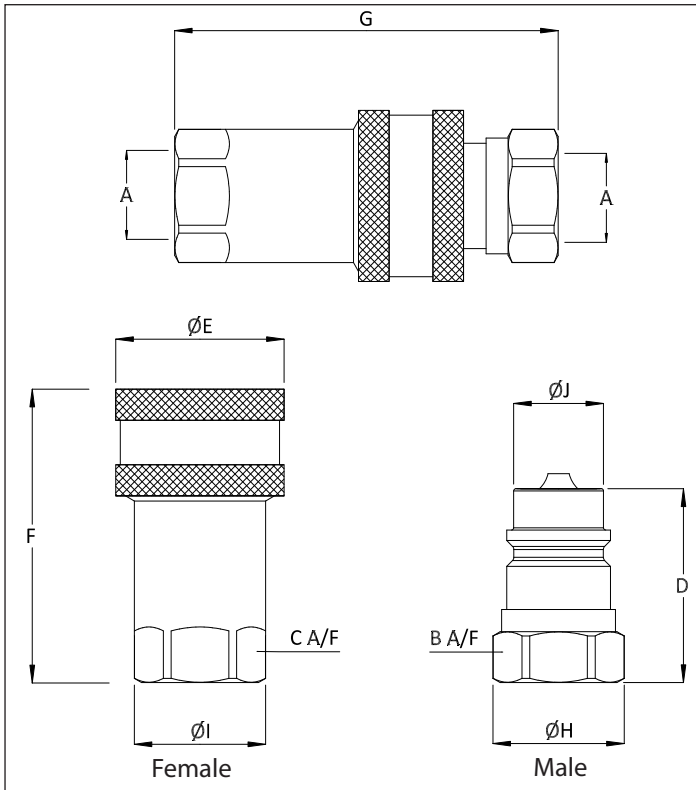
APPLICATIONS

- Agricultural
- Mobile
- Construction

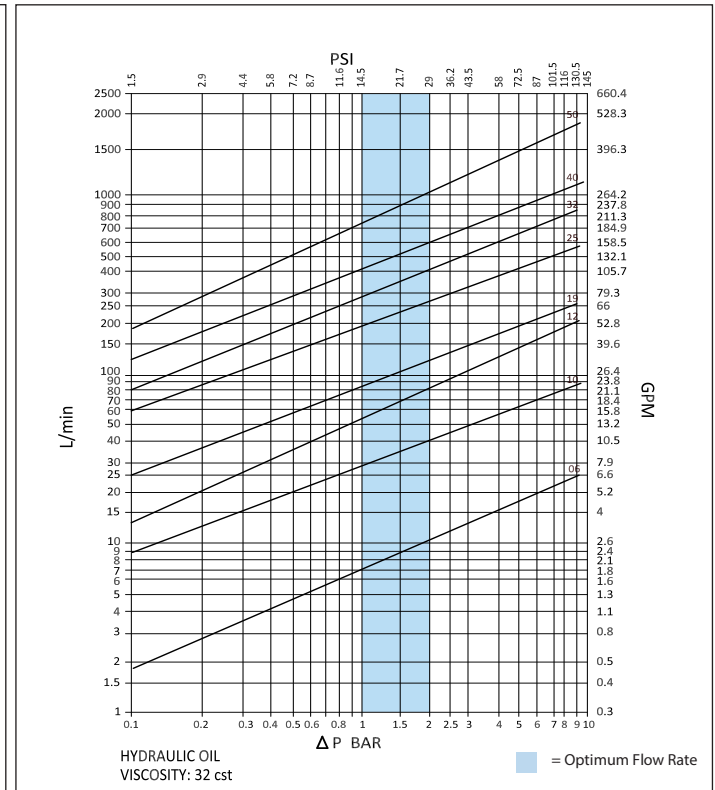
ORDER CODES



DRAWING



PRESSURE DROP CHARACTERISTICS



DIMENSIONS

Size	Thread Size (A)*	B	C	D	ØE	F	G	ØH	ØI	ØJ	Maximum Working Pressure	Burst Pressure (Coupled)	Burst Pressure (Male)	Burst Pressure (Female)
Dimensions in mm											Bar			
Dimensions in Inches											Psi			
IA / IAZ 06	1/4"	19	19	35.5	26	49.5	71	21	21	11.8	400	2200	1900	1800
		0.7	0.7	1.4	1.0	1.9	2.8	0.8	0.8	0.5	5800	31900	27550	26100
IA / IAZ 10	3/8"	22	22	36.5	31.5	56	75	24	24	17.2	350	1800	1700	1600
		0.9	0.9	1.4	1.2	2.2	3.0	0.9	0.9	0.7	5075	26100	24650	23200
IA / IAZ 12	1/2"	27	27	43.5	38.5	66	88	30	30	20.5	320	1500	1500	1400
		1.1	1.1	1.7	1.5	2.6	3.5	1.2	1.2	0.8	4640	21750	21750	20300
IA / IAZ 19	3/4"	35	35	57	47	80	111	38	38	29	300	1300	1300	1200
		1.4	1.4	2.2	1.9	3.1	4.4	1.5	1.5	1.1	4350	18850	18850	17400
IA / IAZ 25	1"	41	41	60	55.5	94	120	44.5	44.5	34.2	250	1200	1100	1000
		1.6	1.6	2.4	2.2	3.7	4.7	1.8	1.8	1.3	3625	17400	15950	14500
IA / IAZ 32	1 1/4"	50	50	75	69	117	150	56	56	45	250	1200	1200	1150
		2.0	2.0	3.0	2.7	4.6	5.9	2.2	2.2	1.8	3625	17400	17400	16675
IA / IAZ 40	1 1/2"	60	60	83.5	84	131	168.5	63	66	55	230	1000	1000	900
		2.4	2.4	3.3	3.3	5.2	6.6	2.5	2.6	2.2	3335	14500	14500	13050
IA / IAZ 50	2"	75	75	105	99	165	211.5	83	83	65	170	800	800	750
		3.0	3.0	4.1	3.9	6.5	8.3	3.3	3.3	2.6	2465	11600	11600	10875

*Dimensions based on BSPP threads

PSI= Bar x1.45 Inches= mm/25.4



IB / IBZ SERIES

ISO B couplers made to the ISO 7241:2014 Series B Standard

INTRODUCTION

Holmbury's IB / IBZ Series ISO B couplers are the ideal choice where a tough, durable product of superior quality is required. They are perfectly suited to agricultural and industrial applications

CONSTRUCTION

- Carbon steel with trivalent plating (Zinc nickel plating available with IBZ Series)
- Fitted with Nitrile seals (Viton seals available)
- Also available in AISI 316 stainless steel (See IBS Series)
- Also available in brass (See IBB Series)

FEATURES

- Optional zinc nickel plating provides corrosion resistance (1200 hours with no red rust in salt spray tests)
- Poppet valves have balanced springs
- Locking ball system allows quick connection
- Bidirectional flow

ACCESSORIES

- Dust Caps, Plugs and Seal Kits are available for the IB / IBZ Series



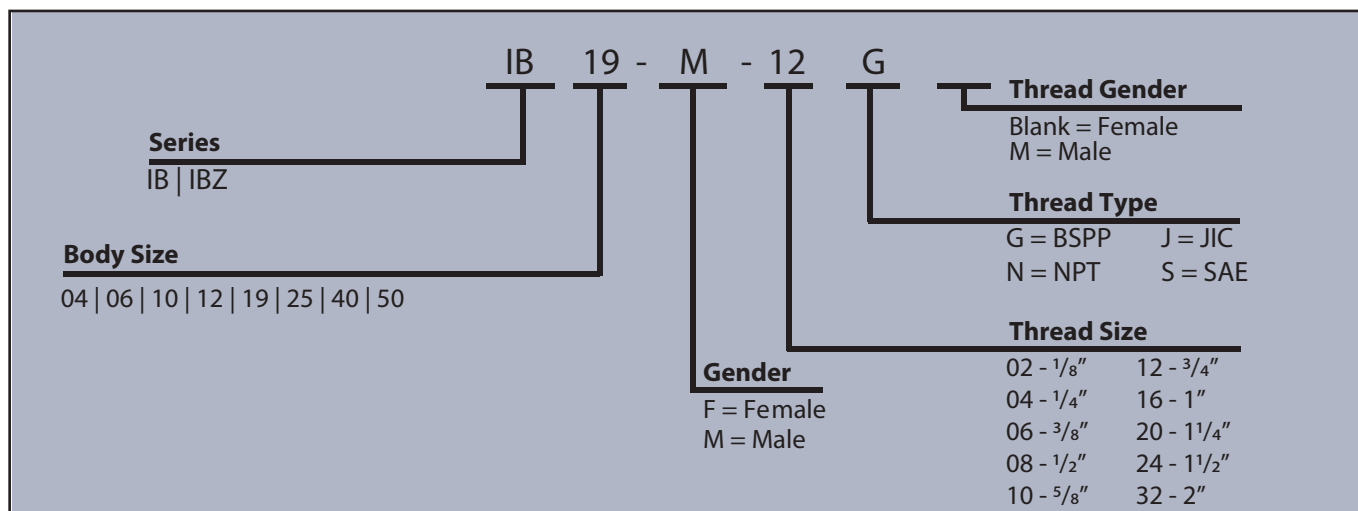
SPECIFICATIONS

- Operating temperatures (with Nitrile seals): -40°C (-40°F) to 106°C (223°F), (with Viton seals): -20°C (-4°F) to 200°C (392°F)

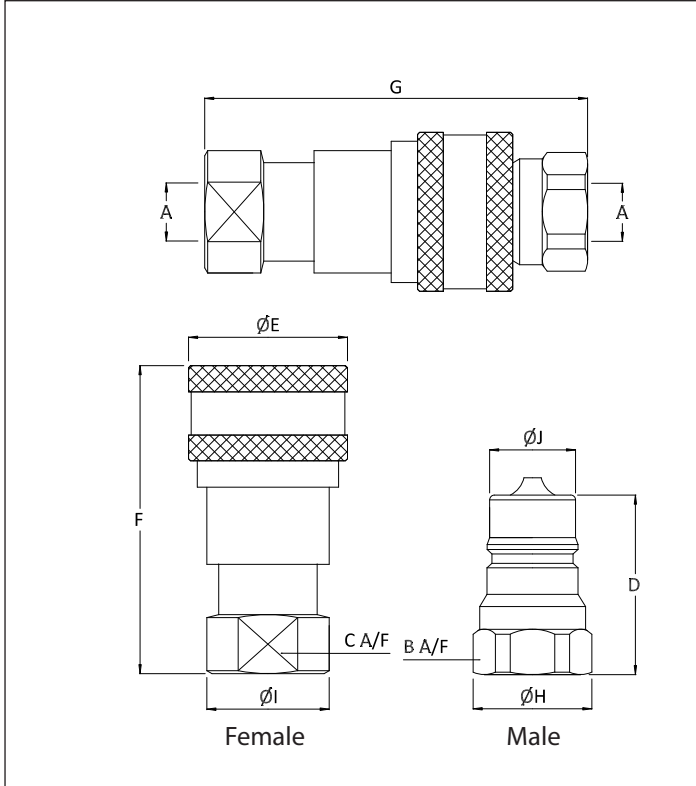
APPLICATIONS

- Agricultural
- Mobile
- Construction

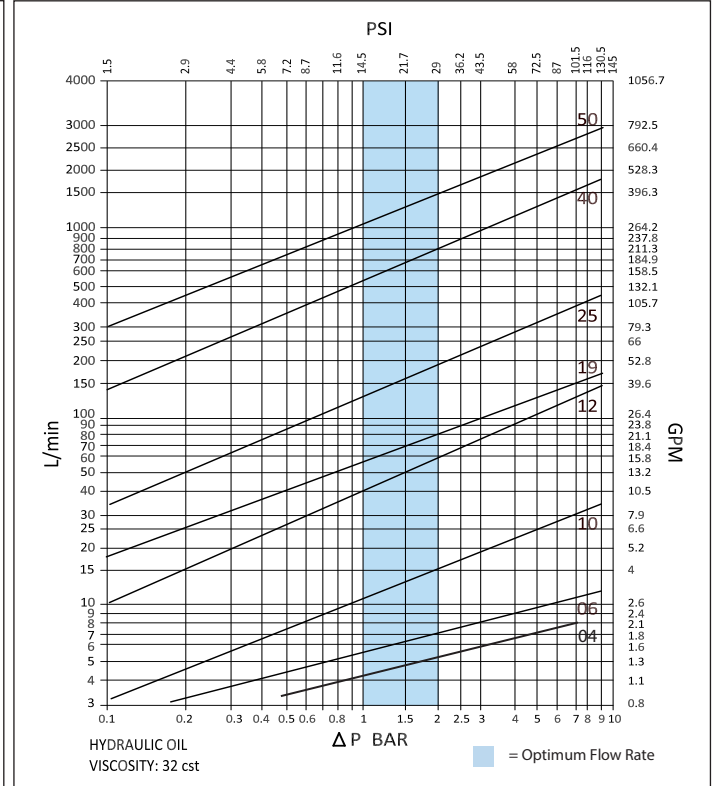
ORDER CODES



DRAWING



PRESSURE DROP CHARACTERISTICS



DIMENSIONS

Size	Thread Size (A)*	B	C	D	ØE	F	G	ØH	ØI	ØJ	Maximum Working Pressure	Burst Pressure (Coupled)	Burst Pressure (Male)	Burst Pressure (Female)
		Dimensions in mm									Bar			
		Dimensions in Inches									Psi			
IB / IBZ 04	1/8"	14.0	17.0	29.0	24.0	48.0	58.5	15.0	19.0	11.0	500	2300	1900	1950
		0.6	0.7	1.1	0.9	1.9	2.3	0.6	0.7	0.4	7250	33350	27550	28275
IB / IBZ 06	1/4"	19.0	19.0	36.0	28.5	58.0	72.5	21.0	22.0	14.0	400	1750	1700	1800
		0.7	0.7	1.4	1.1	2.3	2.9	0.8	0.9	0.6	5800	25375	24650	26100
IB / IBZ 10	3/8"	24.0	24.0	40.0	35.0	65.0	80.5	26.5	27.0	19.0	350	1500	1500	1550
		0.9	0.9	1.6	1.4	2.6	3.2	1.0	1.1	0.7	5075	21750	21750	22475
IB / IBZ 12	1/2"	28.5	28.5	46.5	44.5	74.0	94.0	31.5	33.5	23.5	300	1320	1350	1400
		1.1	1.1	1.8	1.8	2.9	3.7	1.2	1.3	0.9	4350	19140	19575	20300
IB / IBZ 19	3/4"	36.0	36.0	56.0	54.0	92.5	113.0	39.0	39.0	31.5	300	1200	1300	1350
		1.4	1.4	2.2	2.1	3.6	4.4	1.5	1.5	1.2	4350	17400	18850	19575
IB / IBZ 25	1"	41.0	41.0	63.0	63.0	103.0	127.0	44.5	48.0	38.0	280	1150	1060	1100
		1.6	1.6	2.5	2.5	4.1	5.0	1.8	1.9	1.5	4060	16675	15370	15950
IB / IBZ 40	1 1/4"	65.0	65.0	126.0	75.0	126.0	198.0	70.0	70.0	44.5	170	700	750	800
		2.6	2.6	5.0	3.0	5.0	7.8	2.8	2.8	1.8	2465	10150	10875	11600
IB / IBZ 40	1 1/2"	65.0	65.0	126.0	75.0	126.0	198.0	70.0	70.0	44.5	170	700	750	800
		2.6	2.6	5.0	3.0	5.0	7.8	2.8	2.8	1.8	2465	10150	10875	11600
IB / IBZ 50	2"	90.0	90.0	124.0	105.0	124.0	222.0	97.0	97.0	63.0	100	500	600	700
		3.5	3.5	4.9	4.1	4.9	8.7	3.8	3.8	2.5	1450	7250	8700	10150

*Dimensions based on BSPP threads

PSI= Bar x14.5 Inches= mm/25.4



IAP SERIES

Connect under pressure female couplers (Connects to 1/2" ISO A male probes)

INTRODUCTION

Holmbury's IAP Series ISO A female couplers are designed primarily for the agricultural industries and incorporate a push-pull design. The coupler can be either panel mounted using circlip grooves or manifold mounted.

CONSTRUCTION

- Carbon steel with trivalent plating
- Fitted with Nitrile seals
- Available with either a short or long body

FEATURES

- Can be connected with residual pressure in the line
- Can be connected with standard ISO A or DIN V 1/2" male couplers
- Release mechanism protects coupler and hose from damage in event of accidental separating force
- Locking ball system allows quick connection
- Bidirectional flow

ACCESSORIES

- Dust Caps and Plugs are available for the IAP Series



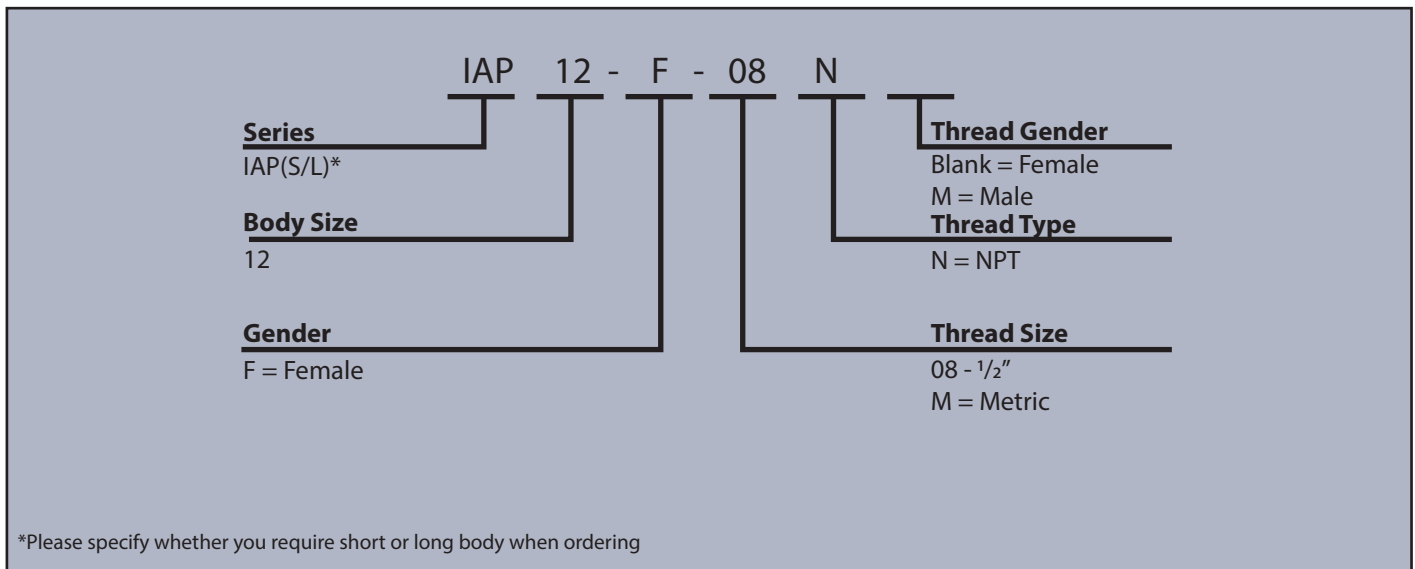
SPECIFICATIONS

- Operating temperatures (with Nitrile seals): -40°C (-40°F) to 106°C (223°F)

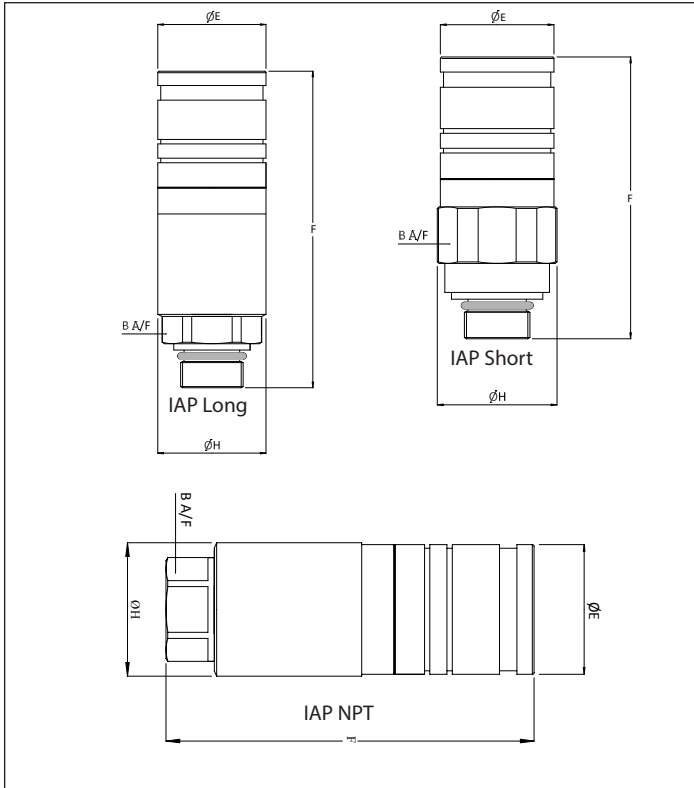
APPLICATIONS

- Agricultural
- Mobile
- Construction

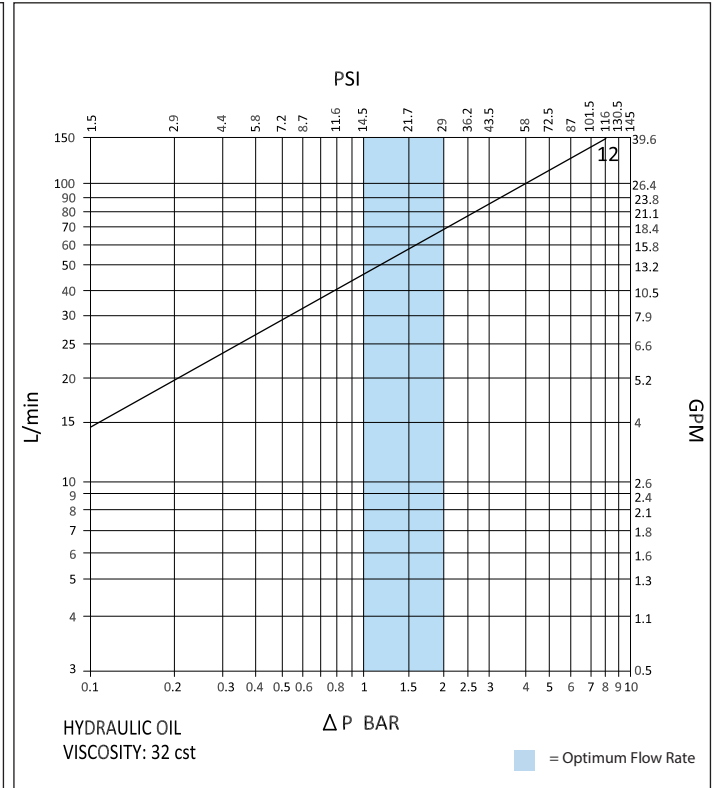
ORDER CODES



DRAWING



PRESSURE DROP CHARACTERISTICS



DIMENSIONS

Size	Thread Size (A)	B	F	ØE	ØH	Maximum Working Pressure	Burst Pressure (Coupled)	Burst Pressure (Female)
		Dimensions in mm				Bar		
		Dimensions in Inches				Psi		
IAP 12 - Short	M22 x 1.5	38.0	94.5	40.0	38.0	300	1000	1000
		1.5	3.7	1.6	1.5	4350	14500	14500
IAP 12 - Long	M22 x 1.5	32.0	111.0	38.0	38.0	300	1000	1000
		1.3	4.4	1.5	1.5	4350	14500	14500
IAP 12	1/2"	26.98	107.5	37.9	38.9	300	1000	1000
		1.1	4.2	1.5	1.5	4350	14500	14500

PSI= Bar x14.5 Inches= mm/25.4

IAPC SERIES

Connect under pressure ISO A couplers made to the ISO 7241:2014 Series A Standard

INTRODUCTION

Holmbury's IAPC Series ISO A couplers incorporate a pressure relief mechanism that enable them to be connected under pressure by hand.

CONSTRUCTION

- Carbon steel with trivalent plating
- Female half available in either a 'Pull Break' or 'Push Pull' design (See drawing for differentiation)
- Fitted with Nitrile seals

FEATURES

- Connects with up to 250 bar residual pressure (If both male and female are IAPC couplers)
- Poppet valves have balanced springs
- Locking ball system allows quick connection
- Bidirectional flow

ACCESSORIES

- Dust Caps and Plugs are available for the IAPC Series



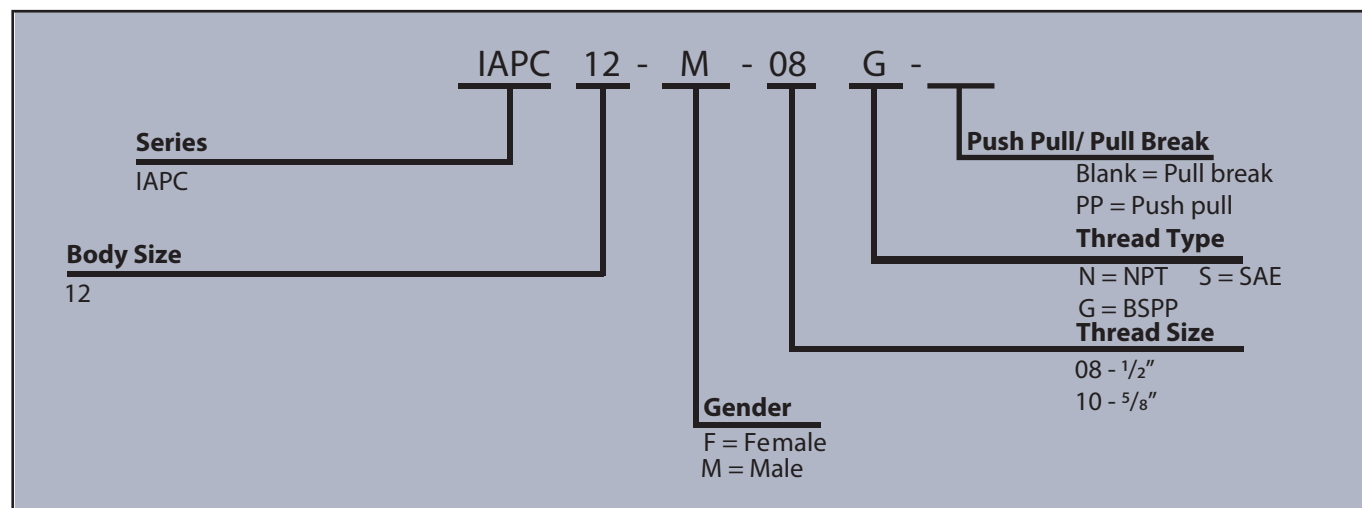
SPECIFICATIONS

- Operating temperatures (with Nitrile seals): -40°C (-40°F) to 106°C (223°F)

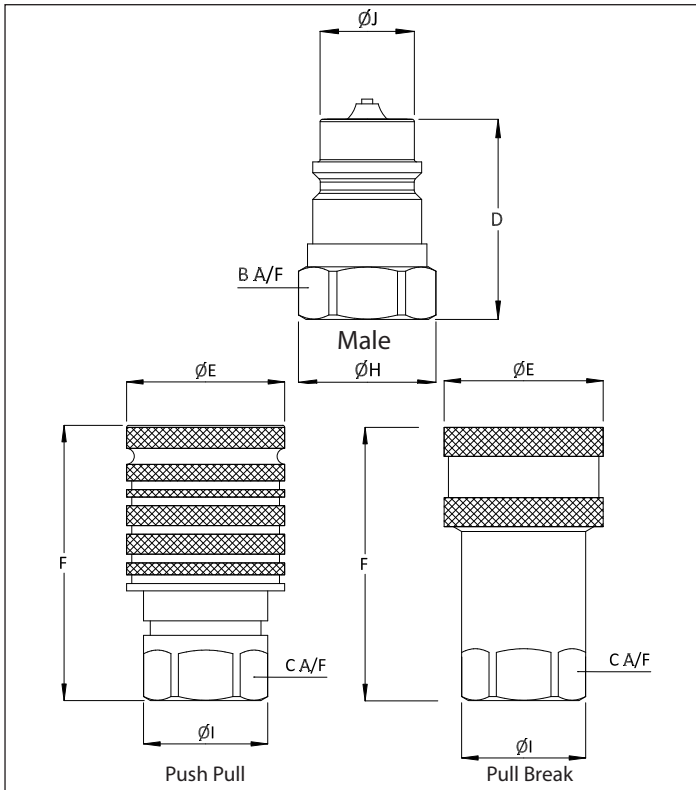
APPLICATIONS

- Agricultural
- Mobile
- Construction

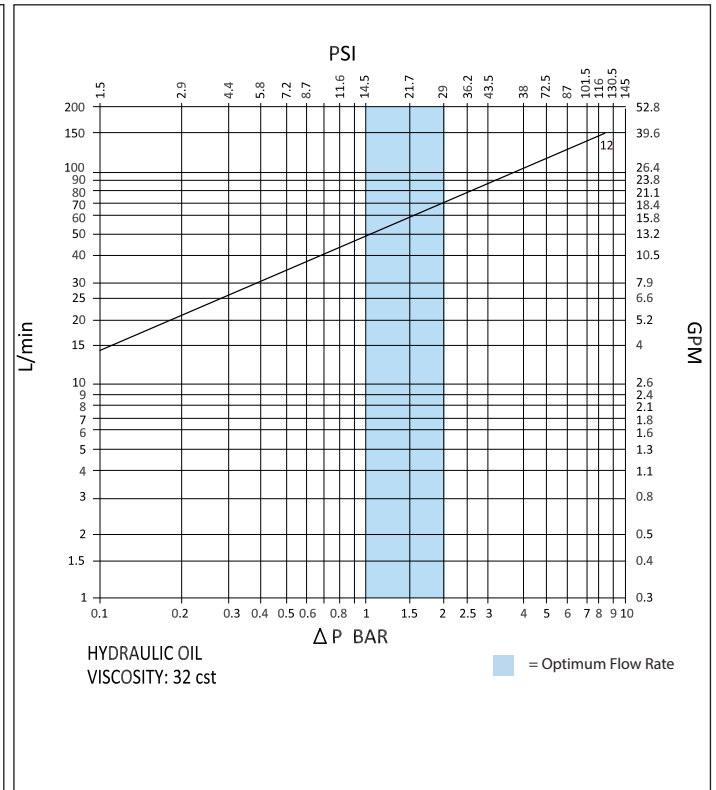
ORDER CODES



DRAWING



PRESSURE DROP CHARACTERISTICS



ISO & DIN COUPLERS

DIMENSIONS

Size	Thread Size (A)*	B	C	D	ØE	F	ØH	ØI	ØJ	Maximum Working Pressure	Burst Pressure (Coupled)	Burst Pressure (Male)	Burst Pressure (Female)
		Dimensions in mm								Bar			
		Dimensions in Inches								Psi			
IAPC 12	1/2"	26.7	26.9	43.5	38.7	66.2	29.7	30.0	20.4	320	1500	1500	1400
		1.1	1.1	1.7	1.5	2.6	1.2	1.2	0.8	4640	21750	21750	20300
IAPC 12 (PP)	1/2"	26.7			38.0	66.5		29.8		320	1500	1500	1400
		1.1			1.5	2.6		1.2		4640	21750	21750	20300

*Dimensions based on BSPP threads

PSI= Bar x14.5 Inches= mm/25.4



P SERIES

ISO A push / pull female couplers (Connects with 1/2" ISO A male probes)

INTRODUCTION

Holmbury's P Series ISO A female couplers are designed primarily for the agricultural industries and incorporate a push-pull design. The coupler is panel mounted using circlip grooves in the locking sleeve.

CONSTRUCTION

- Carbon steel with trivalent plating
- Fitted with Nitrile seals
- Also available in connect under pressure variant (See IAPC Series)

FEATURES

- Can be connected with standard ISO A 1/2" male couplers
- Available with ball seal mechanism in body size 12 only
- Release mechanism protects coupler and hose from damage in event of accidental separating force
- Locking ball system allows quick connection
- Bidirectional flow

ACCESSORIES

- Dust Caps and Plugs are available for the P Series



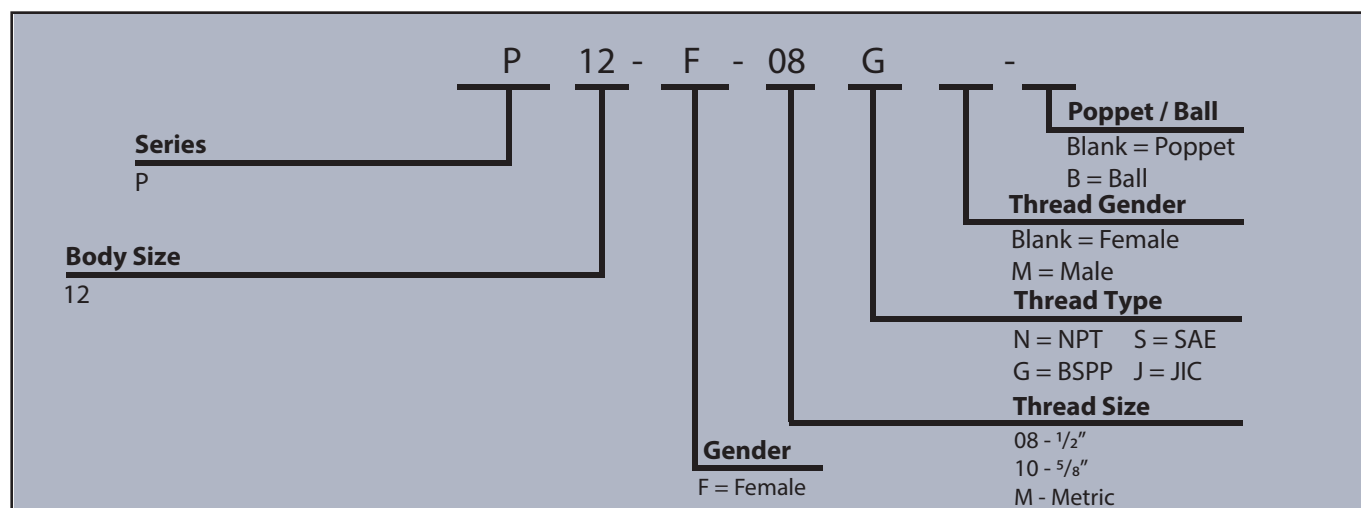
SPECIFICATIONS

- Operating temperatures (with Nitrile seals): -40°C (-40°F) to 106°C (223°F)

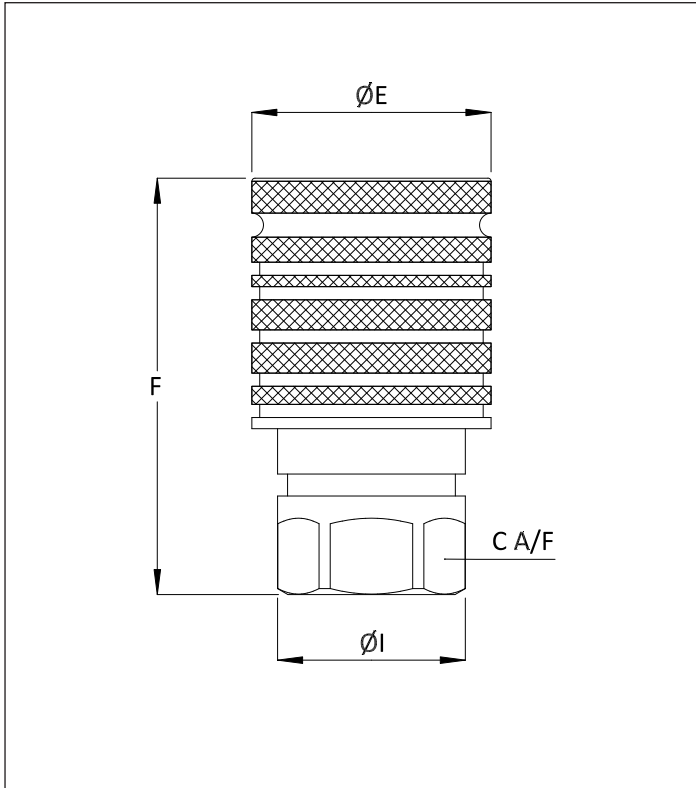
APPLICATIONS

- Agricultural
- Mobile
- Construction

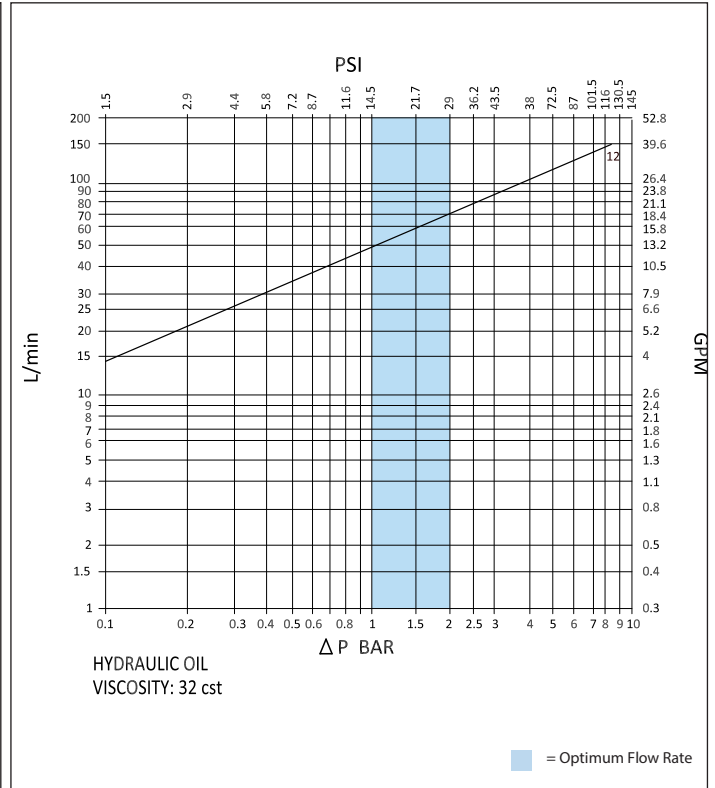
ORDER CODES



DRAWING



PRESSURE DROP CHARACTERISTICS



ISO & DIN COUPLERS

DIMENSIONS

Size	Thread Size (A)	C	F	ØE	ØI	Maximum Working Pressure	Burst Pressure (Coupled)	Burst Pressure (Male)	Burst Pressure (Female)
		Dimensions in mm				Bar			
		Dimensions in Inches				Psi			
P 12	1/2"	27.0	66.5	38.5	30.0	320	1500	1500	1400
		1.1	2.6	1.5	1.2	4640	21750	21750	20300
P 12 - B	1/2"	27.0	66.5	38.5	30.0	275	1250	1200	1200
		1.1	2.6	1.5	1.2	3987.5	18125	17400	17400

*Dimensions based on BSPP threads

PSI= Bar x14.5 Inches= mm/25.4



DIN V / DNVZ SERIES

Poppet seal couplers made to the ISO 5675 Standard

INTRODUCTION

Holmbury's DIN V / DNVZ Series couplers are designed with a poppet valve for quick and connection and disconnection. They are interchangeable with the ISO A couplers in 1/2" size only.

CONSTRUCTION

- Carbon steel with trivalent plating
- Fitted with Nitrile seals
- Also available in ball valve design (See DIN B / DNBZ Series)

FEATURES

- Made to ISO 5675 Standard in 1/2" size only
- 1/2" male has internal diverter to prevent reverse flow checking
- Optional zinc nickel plating provides corrosion resistance (1200 hours with no red rust in salt spray tests)
- Poppet valves have balanced springs
- Locking ball system allows quick connection
- Bidirectional flow

ACCESSORIES

- Dust Caps, Plugs and Seal Kits are available for the DIN V / DNVZ Series



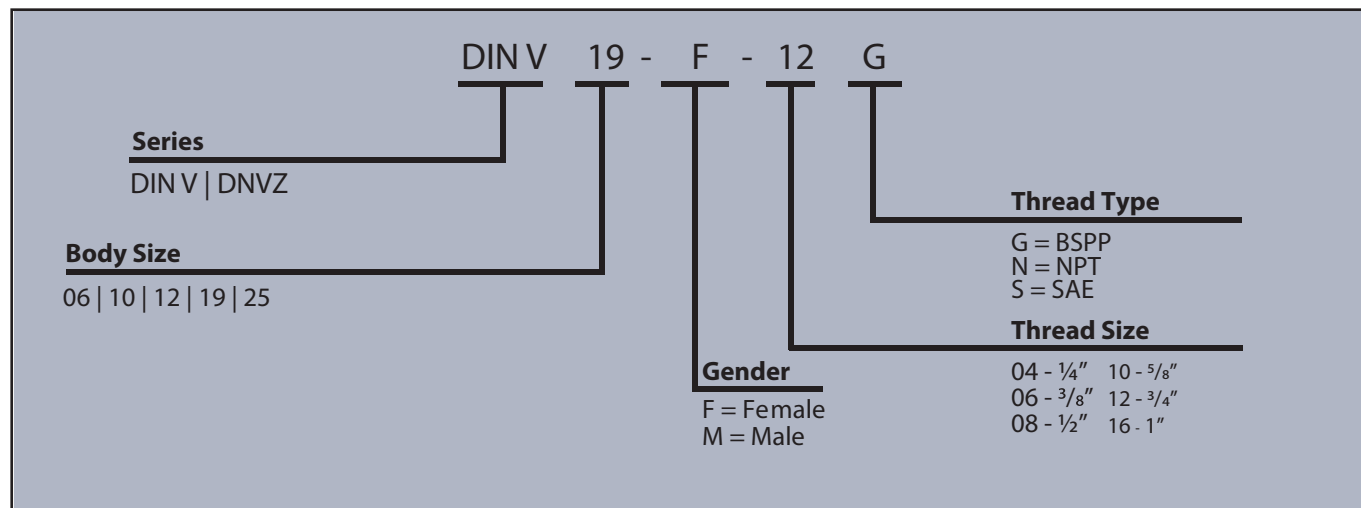
SPECIFICATIONS

- Operating temperatures (with Nitrile seals): -40°C (-40°F) to 106°C (223°F)

APPLICATIONS

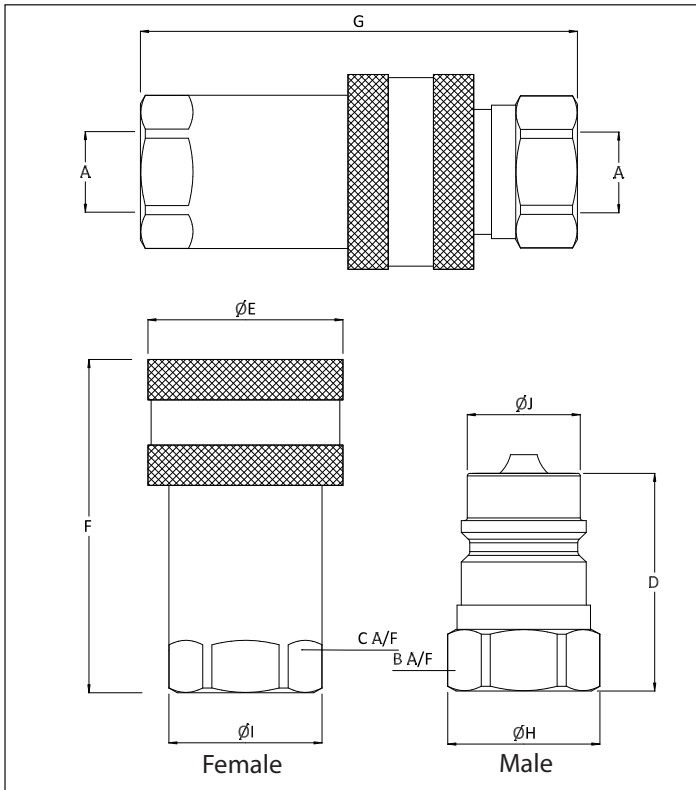
- Agricultural
- Mobile
- Construction

ORDER CODES

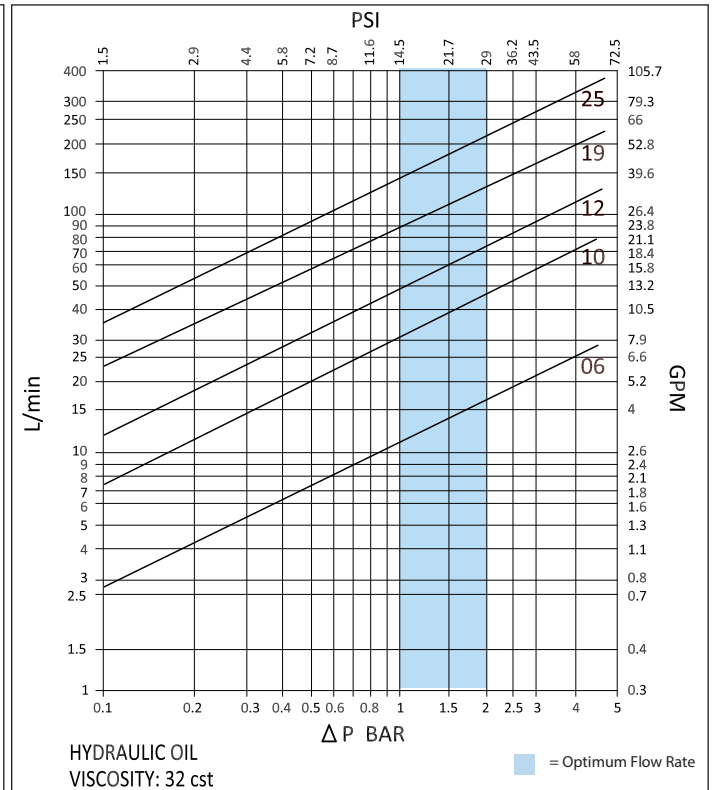


DIN V / DNVZ SERIES

DRAWING



PRESSURE DROP CHARACTERISTICS



ISO & DIN COUPLERS

DIMENSIONS

Size	Thread Size (A)*	B	C	D	ØE	F	G	ØH	ØI	ØJ	Maximum Working Pressure	Burst Pressure (Coupled)	Burst Pressure (Male)	Burst Pressure (Female)
											Psi			
DINV / DNVZ 06	1/4"	19.0	22.0	36.5	28.0	55.5	74.5	21.0	23.8	14.0	375	1600	1600	1600
		0.7	0.9	1.4	1.1	2.2	2.9	0.8	0.9	0.6	5437.5	23200	23200	23200
DINV / DNVZ 10	3/8"	24.0	24.0	40.0	34.0	60.5	80.5	26.5	30.0	19.0	350	1450	1300	1300
		0.9	0.9	1.6	1.3	2.4	3.2	1.0	1.2	0.7	5075	21025	18850	18850
DINV / DNVZ 12	1/2"	27.0	27.0	43.5	38.5	66.0	88.0	30.0	30.0	20.5	320	1300	1500	1400
		1.1	1.1	1.7	1.5	2.6	3.5	1.2	1.2	0.8	4640	18850	21750	20300
DINV / DNVZ 19	3/4"	34.0	34.0	53.5	48.0	82.5	108.5	38.0	38.0	29.0	300	1200	1100	1100
		1.3	1.3	2.1	1.9	3.2	4.3	1.5	1.5	1.1	4350	17400	15950	15950
DINV / DNVZ 25	1"	41.0	41.0	64.0	56.5	98.0	129.0	44.0	47.5	31.0	275	1100	1000	1000
		1.6	1.6	2.5	2.2	3.9	5.1	1.7	1.9	1.2	3987.5	15950	14500	14500

*Dimensions based on BSPP threads

Psi= Bar x14.5 Inches= mm/25.4



DIN B / DNBZ SERIES

Ball seal couplers made to the ISO 5675 Standard

INTRODUCTION

Holmbury's DIN B / DNBZ Series ball valve couplers are intended for applications where compatibility with existing equipment is essential. For new applications Holmbury recommends poppet valve couplers as a more durable option.

CONSTRUCTION

- Carbon steel with trivalent plating
- Fitted with Nitrile seals
- Also available in poppet valve design (See DIN V / DNVZ Series)

FEATURES

- Made to ISO 5675 Standard in 1/2" size only
- 1/2" male has internal diverter to prevent reverse flow checking
- Optional zinc nickel plating provides corrosion resistance (1200 hours with no red rust in salt spray tests)
- Locking ball system allows quick connection
- Bidirectional flow

ACCESSORIES

- Dust Caps, Plugs and Seal Kits are available for the DIN B / DNBZ Series



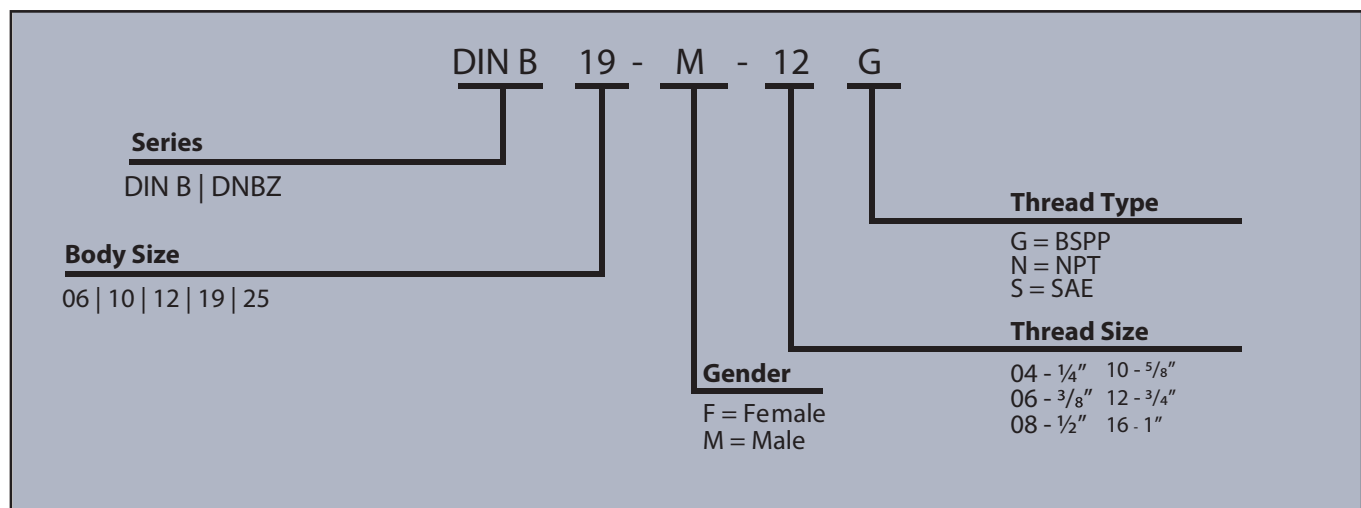
SPECIFICATIONS

- Operating temperatures (with Nitrile seals): -40°C (-40°F) to 106°C (223°F)

APPLICATIONS

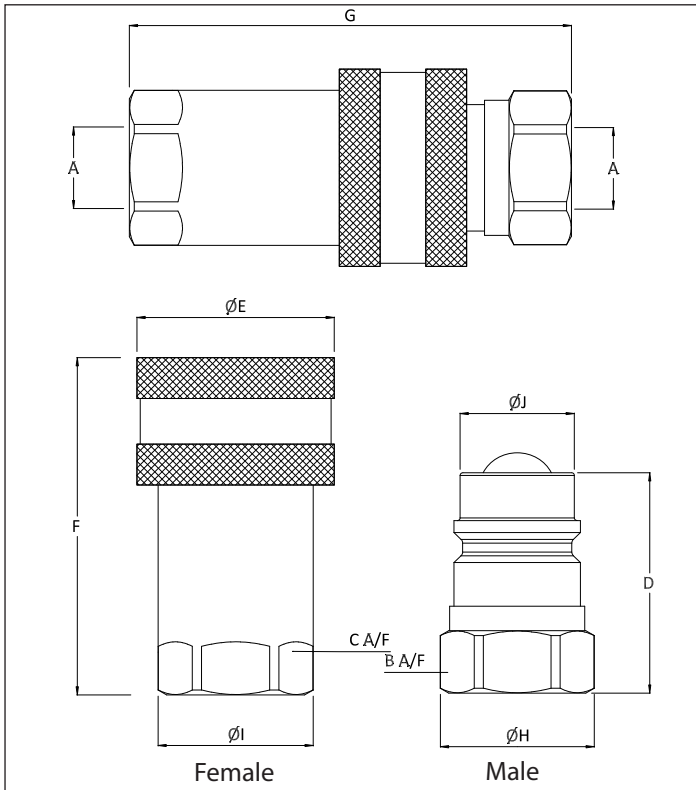
- Existing DIN B applications
- Agricultural
- Mobile
- Construction

ORDER CODES

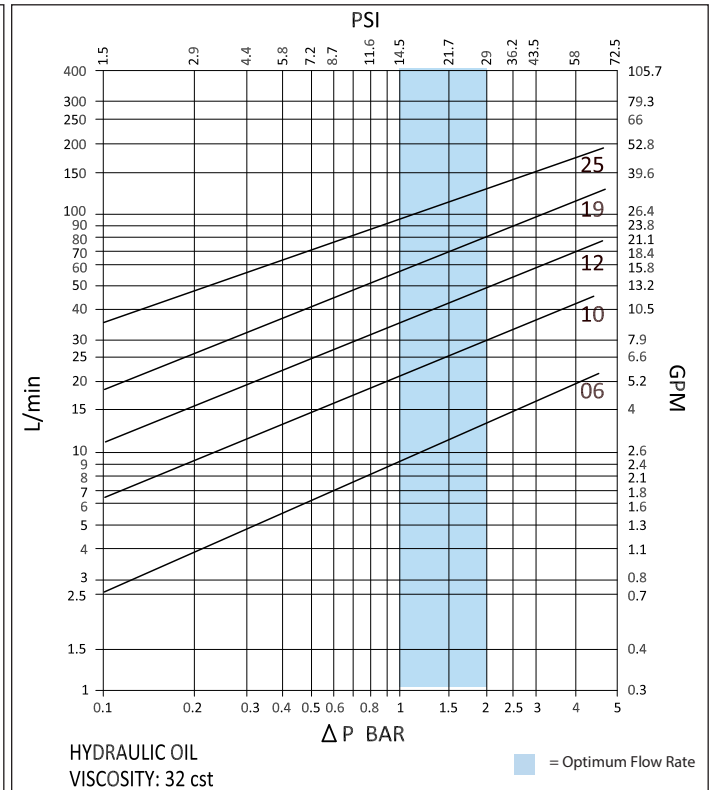


DIN B / DNBZ SERIES

DRAWING



PRESSURE DROP CHARACTERISTICS



ISO & DIN COUPLERS

DIMENSIONS

Size	Thread Size (A)*	B	C	D	ØE	F	G	ØH	ØI	ØJ	Maximum Working Pressure	Burst Pressure (Coupled)	Burst Pressure (Male)	Burst Pressure (Female)
Dimensions in Inches											Psi			
DINB / DIN BZ 06	1/4"	19.0	19.0	36.0	27.5	53.5	72.5	21.0	21.8	14.0	350	1550	1550	1550
		0.7	0.7	1.4	1.1	2.1	2.9	0.8	0.9	0.6	5075	22475	22475	22475
DINB / DIN BZ 10	3/8"	24.0	24.0	40.0	34.0	63.2	83.0	26.6	27.2	19.0	300	1400	1250	1250
		0.9	0.9	1.6	1.3	2.5	3.3	1.0	1.1	0.7	4350	20300	18125	18125
DINB / DIN BZ 12	1/2"	27.0	27.0	43.5	38.5	66.0	88.0	30.0	30.0	20.5	275	1250	1200	1200
		1.1	1.1	1.7	1.5	2.6	3.5	1.2	1.2	0.8	3987.5	18125	17400	17400
DINB / DIN BZ 19	3/4"	34.0	34.0	54.0	48.5	83.0	108.5	38.0	38.0	28.0	275	1150	1050	1050
		1.3	1.3	2.1	1.9	3.3	4.3	1.5	1.5	1.1	3987.5	16675	15225	15225
DINB / DIN BZ 25	1"	41.0	41.0	63.5	56.0	96.5	129.0	44.0	44.0	31.0	250	1050	950	950
		1.6	1.6	2.5	2.2	3.8	5.1	1.7	1.7	1.2	3625	15225	13775	13775

*Dimensions based on BSPP threads

PSI= Bar x14.5 Inches= mm/25.4



HTN SERIES

Poppet style couplers with a guided poppet

INTRODUCTION

Holmbury's HTN Series poppet style couplers are a reliable and efficient option for use across a wide range of hydraulic applications.

CONSTRUCTION

- Carbon steel with trivalent plating
- Fitted with Nitrile seals

FEATURES

- Poppet style minimizes pressure drop and creates an effective seal while allowing high flow rates
- Elongated nose and poppet design allows for simple connection and disconnection
- Bidirectional flow

ACCESSORIES

- Dust Caps and Plugs are available for the HTN Series



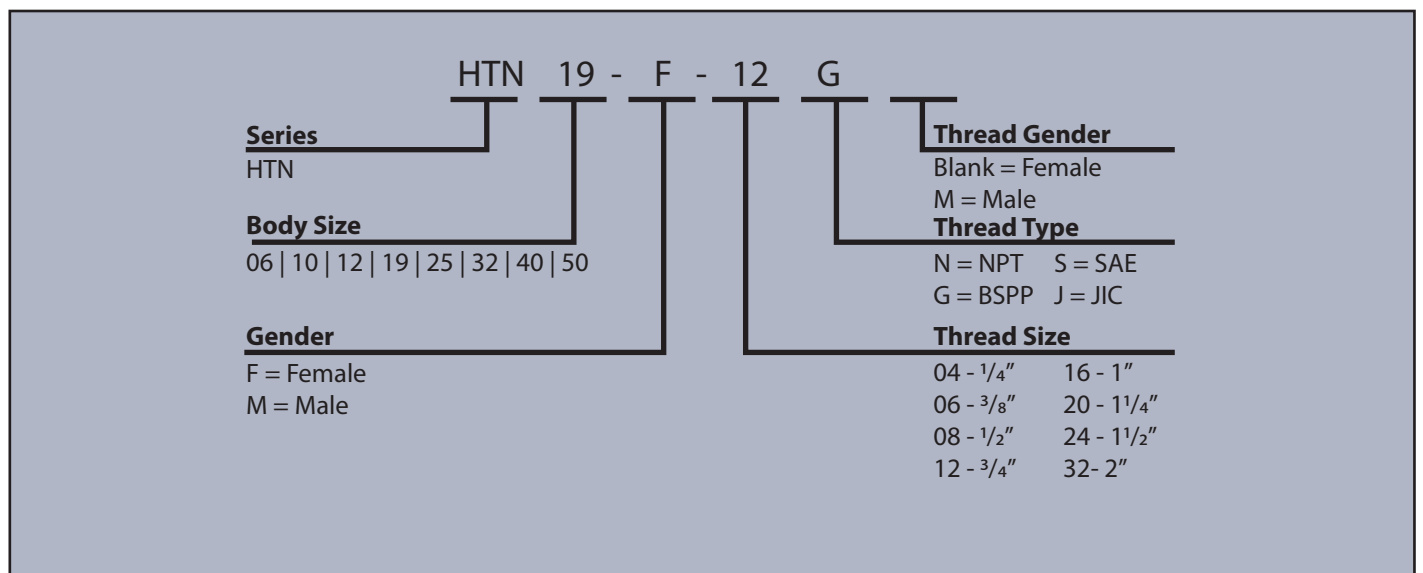
SPECIFICATIONS

- Operating temperatures (with Nitrile seals): -40°C (-40°F) to 106°C (223°F)

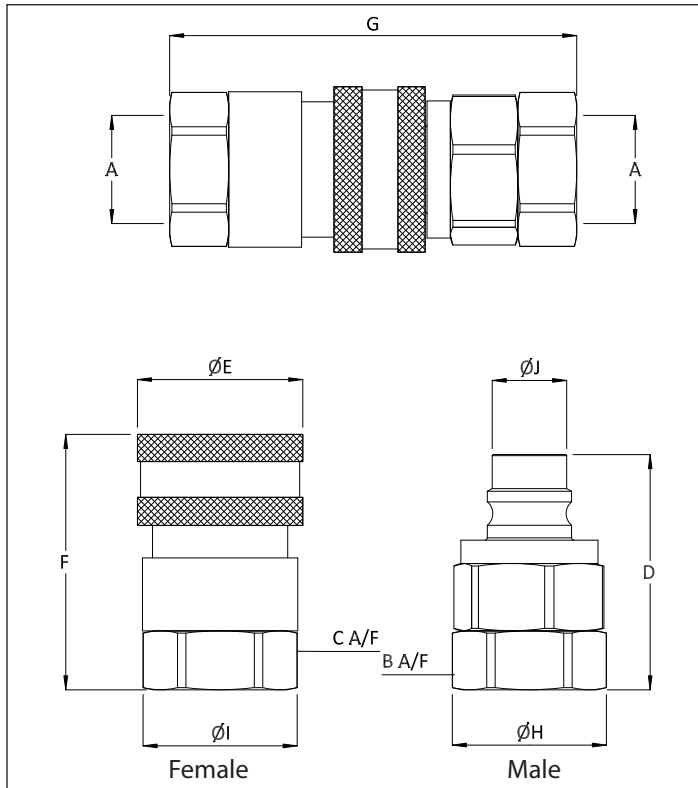
APPLICATIONS

- Designed for usage in general hydraulic systems, machine tool, test equipment, agricultural, and other mobile hydraulics

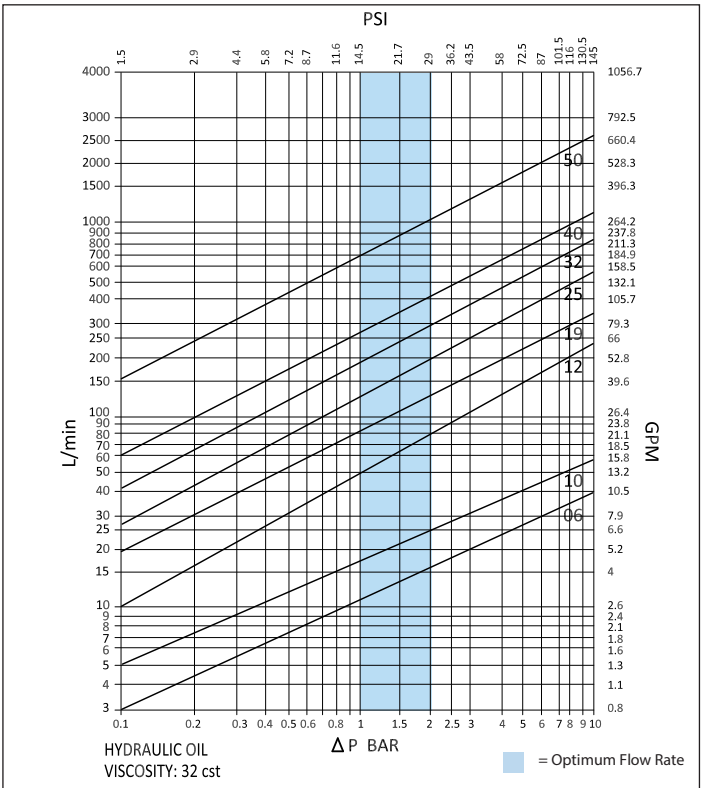
ORDER CODES



DRAWING



PRESSURE DROP CHARACTERISTICS



DIMENSIONS

Size	Thread Size (A)*	B	C	D	ØE	F	G	ØH	ØI	ØJ	Maximum Working Pressure	Burst Pressure (Coupled)	Burst Pressure (Male)	Burst Pressure (Female)
		Dimensions in mm									Bar			
		Dimensions in Inches									Psi			
HTN 06	1/4"	22.0	22.0	41.3	24.0	44.0	70.3	24.5	24.5	10.9	450	1350	1350	1250
		0.9	0.9	1.6	0.9	1.7	2.8	1.0	1.0	0.4	6527	19575	19575	18125
HTN 10	3/8"	26.0	26.0	47.0	27.0	49.4	78.5	28.1	28.1	12.9	350	1050	1050	950
		1.0	1.0	1.9	1.1	1.9	3.1	1.1	1.1	0.5	5076	15225	15225	13775
HTN 12	1/2"	30.0	30.0	51.0	34.0	53.5	87.3	33.0	33.0	15.9	300	900	900	800
		1.2	1.2	2.0	1.3	2.1	3.4	1.3	1.3	0.6	4351	13050	13050	11600
HTN 19	3/4"	38.0	38.0	62.0	42.0	63.0	104.0	41.9	41.9	23.4	250	750	750	650
		1.5	1.5	2.4	1.7	2.5	4.1	1.6	1.6	0.9	3626	10875	10875	9425
HTN 25	1"	48.0	48.0	66.8	50.5	68.3	112.5	52.5	52.5	29.7	200	600	600	500
		1.9	1.9	2.6	2.0	2.7	4.4	2.1	2.1	1.2	2901	8700	8700	7250
HTN 32	1 1/4"	50.0	50.0	88.0	56.0	91.0	156.5	55.9	55.9	36.1	150	450	450	350
		2.0	2.0	3.5	2.2	3.6	6.2	2.2	2.2	1.4	2176	6525	6525	5075
HTN 40	1 1/2"	64.0	64.0	85.6	70.0	90.0	148.2	69.5	69.5	43.3	130	390	390	290
		2.5	2.5	3.4	2.8	3.5	5.8	2.7	2.7	1.7	1885	5655	5655	4205
HTN 50	2"	89.0	89.0	99.0	90.0	105.0	171.0	97.4	97.4	56.7	100	300	300	200
		3.5	3.5	3.9	3.5	4.1	6.7	3.8	3.8	2.2	1450	4350	4350	2900

*Dimensions based on BSPP threads

PSI= Bar x14.5 Inches= mm/25.4



F SERIES

Connect under pressure high flow couplers with a safety locking sleeve

INTRODUCTION

Holmbury's F Series high flow safety couplers offer three important benefits; high flow, connection under pressure and a safety locking mechanism to prevent accidental disconnection.

CONSTRUCTION

- Carbon steel with zinc nickel plating (1200 hours with no red rust in salt spray tests)
- QPQ finished locking ring
- Fitted with Nitrile seals

FEATURES

- High flow rates
- Pressure eliminator allows connection with residual pressure in the hydraulic circuit
- Low pressure drop characteristics
- Safety locking ring to avoid accidental disconnection
- Female half has double 'O' ring sealing arrangement
- Bidirectional flow

ACCESSORIES

- Dust Caps and Plugs are available for the F Series



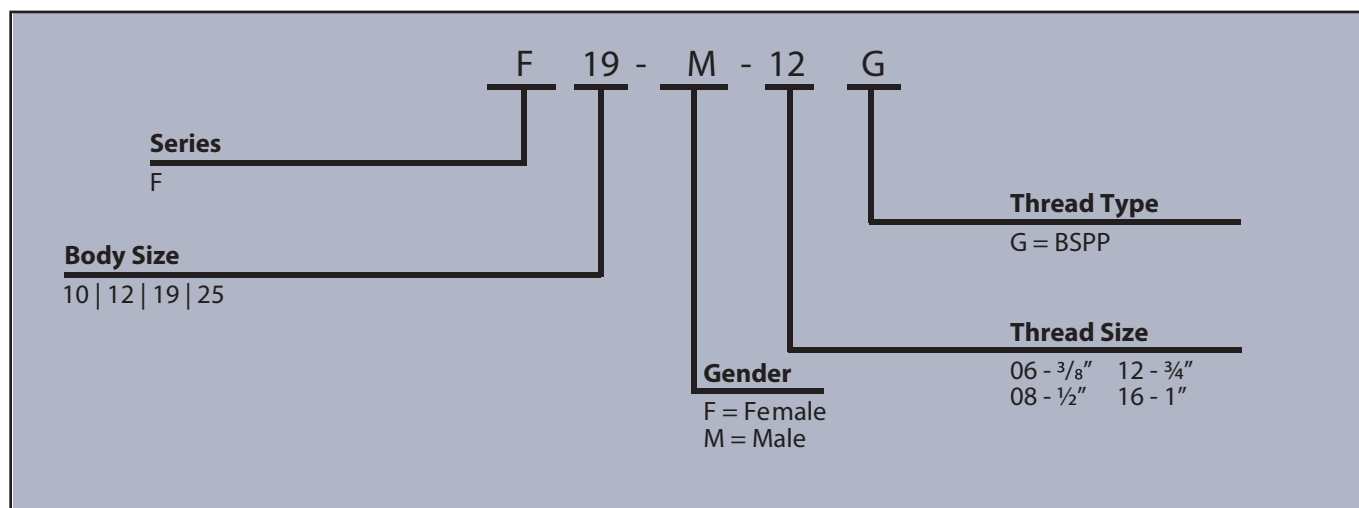
SPECIFICATIONS

- Operating temperatures (with Nitrile seals): -40°C (-40°F) to 106°C (223°F)

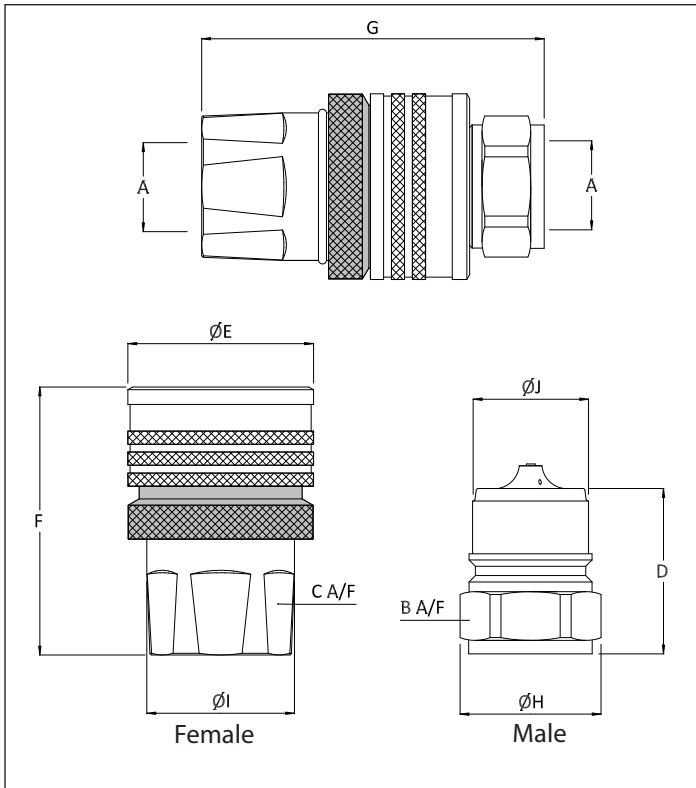
APPLICATIONS

- Mobile plant
- General industrial

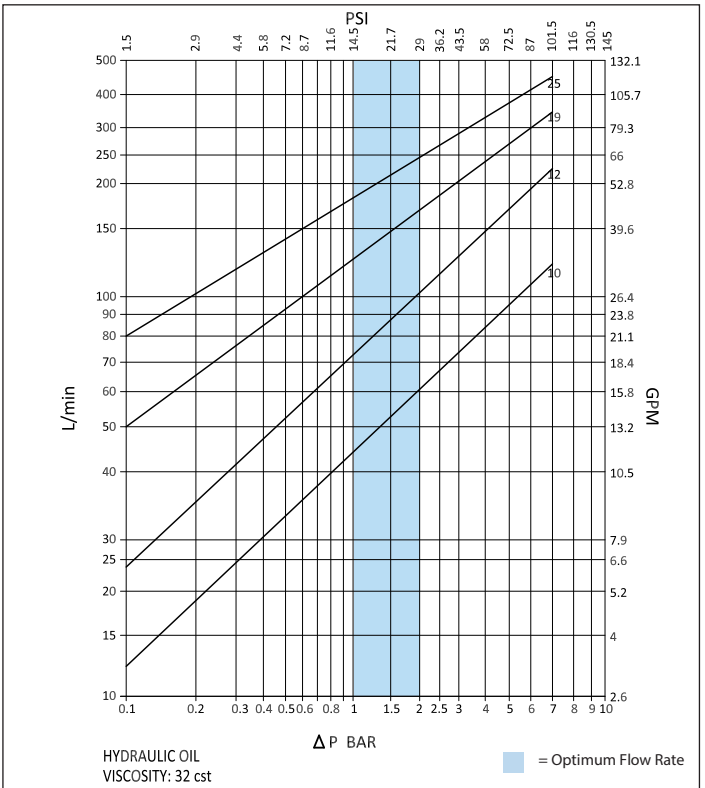
ORDER CODES



DRAWING



PRESSURE DROP CHARACTERISTICS



GENERAL PURPOSE COUPLERS

DIMENSIONS

Size	Thread Size (A)	B	C	D	ØE	F	G	ØH	ØI	ØJ	Maximum Working Pressure	Burst Pressure (Coupled)	Burst Pressure (Male)	Burst Pressure (Female)
		Dimensions in mm									Bar			
		Dimensions in Inches									Psi			
F 10	3/8"	22.0	24.0	38.0	34.0	60.0	75.0	24.0	27.5	20.0	350	1500	1500	1450
		0.9	0.9	1.5	1.3	2.4	3.0	0.9	1.1	0.8	5075	21750	21750	21025
F 12	1/2"	27.0	30.0	41.5	40.0	65.5	82.5	30.0	33.0	25.0	315	1300	1250	1200
		1.1	1.2	1.6	1.6	2.6	3.2	1.2	1.3	1.0	4567.5	18850	18125	17400
F 19	3/4"	36.0	38.0	46.5	52.0	74.5	92.5	39.0	42.0	33.0	300	1250	1250	1200
		1.4	1.5	1.8	2.0	2.9	3.6	1.5	1.7	1.3	4350	18125	18125	17400
F 25	1"	46.0	45.0	54.5	62.0	88.5	108.0	49.5	49.5	41.0	260	1100	1100	1000
		1.8	1.8	2.1	2.4	3.5	4.3	1.9	1.9	1.6	3770	15950	15950	14500

PSI= Bar x14.5 Inches= mm/25.4



PWC SERIES

Free flow, valveless pressure washer couplers

INTRODUCTION

Holmbury's PWC Series couplers are able to accommodate high flow rates and minimal pressure drops. The couplers are valveless, hence when disconnected any fluid in the system can escape. This makes these couplers suitable for the transmission of non-hazardous fluids only.

CONSTRUCTION

- Carbon steel with trivalent plating and QPQ finished female sleeve
- Fitted with Viton seals
- Available in AISI 316 stainless steel (See PWS Series)

FEATURES

- Valveless design allows for high flow rates and minimal pressure drop characteristics
- Female half has double 'O' ring sealing arrangement
- Bidirectional flow

ACCESSORIES

- Seal Kits are available for the PWC Series



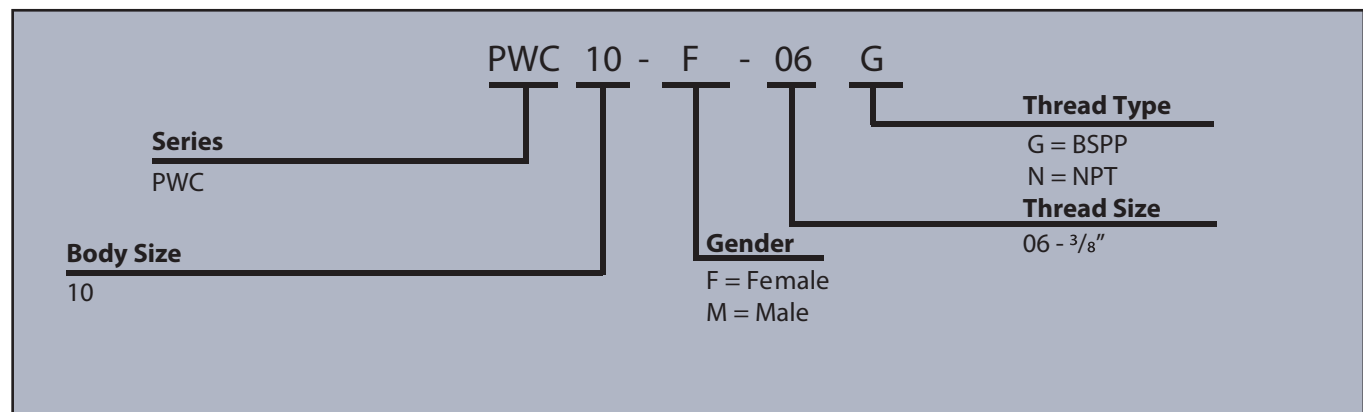
SPECIFICATIONS

- Operating temperatures (with Viton seals): -20°C (-4°F) to 200°C (392°F)

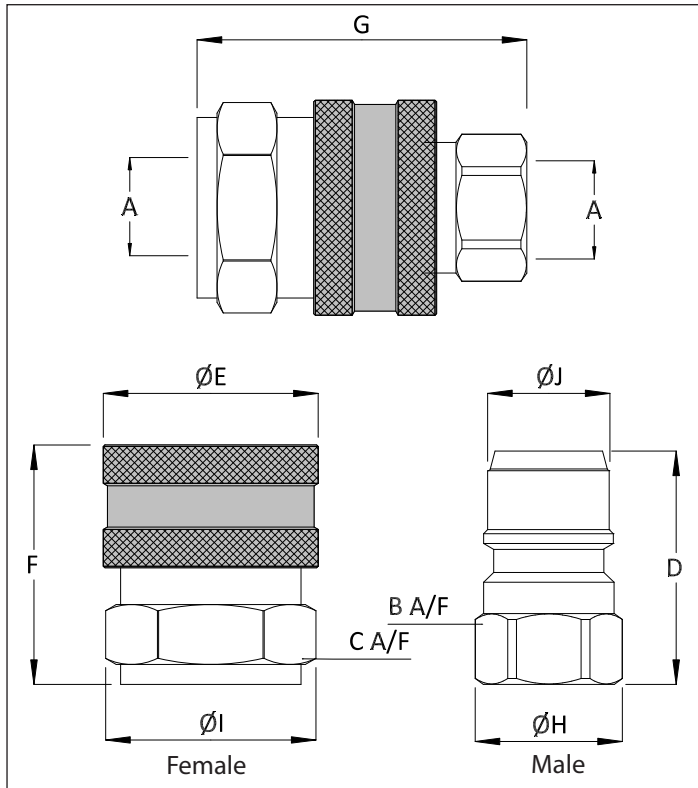
APPLICATIONS

- Designed for use in pressure washer systems and systems containing non-hazardous fluids

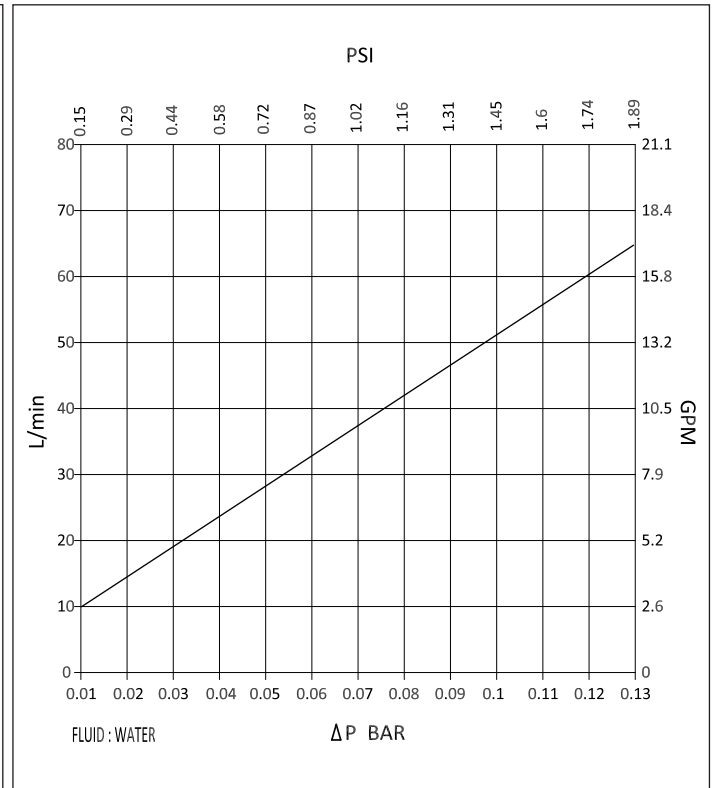
ORDER CODES



DRAWING



PRESSURE DROP CHARACTERISTICS



DIMENSIONS

Size	Thread Size (A)*	B	C	D	ØE	F	G	ØH	ØI	ØJ	Maximum Working Pressure	Burst Pressure (Coupled)
		Dimensions in mm									Bar	
		Dimensions in Inches									Psi	
PWC 10	3/8"	22.0	30.0	38.0	35.0	39.0	53.5	24.0	34.5	20.0	350	1500
		0.9	1.2	1.5	1.4	1.5	2.1	0.9	1.4	0.8	5075	21750

*Dimensions based on BSPP threads

PSI= Bar x14.5 Inches= mm/25.4

TB SERIES

Trailer brake couplers made to the ISO 5676 Standard

INTRODUCTION

Holmbury's TB Series trailer brake couplers are used to connect the hydraulic braking system of tractors to trailers. The male coupler is normally panel mounted on the tractor.

CONSTRUCTION

- Carbon steel with trivalent plating
- Fitted with Nitrile seals

FEATURES

- Male couplers can be panel mounted
- Female couplers are supplied with Parking Station
- Bidirectional flow

ACCESSORIES

- Parking Stations are available for the TB Series



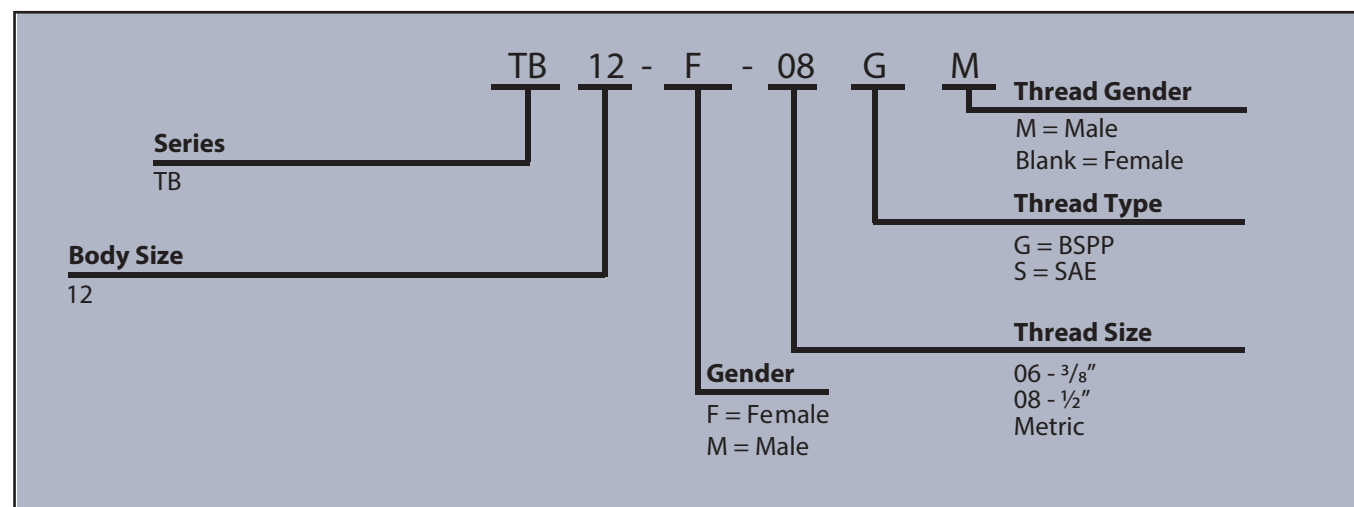
SPECIFICATIONS

- Operating temperatures (with Nitrile seals): -40°C (-40°F) to 106°C (223°F)

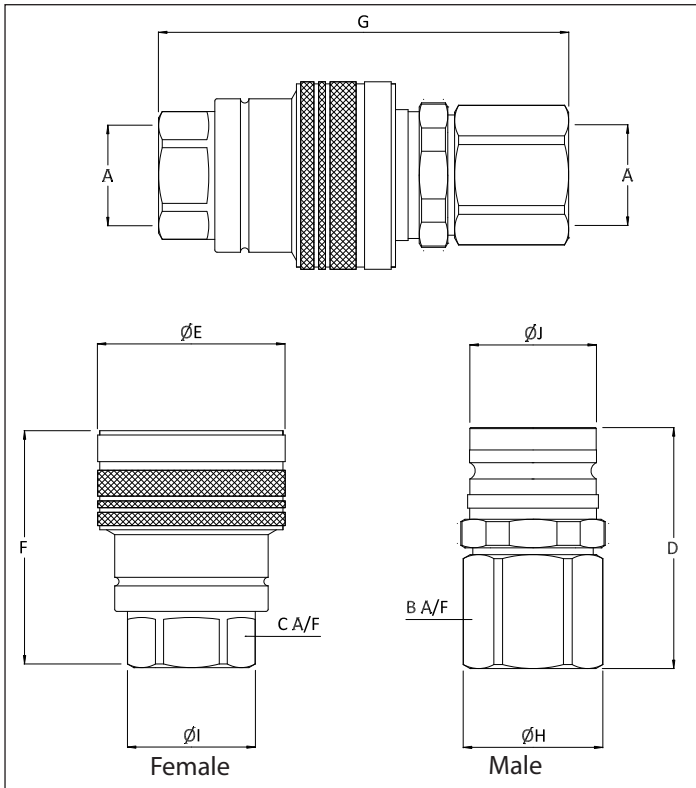
APPLICATIONS

- Trailer connections

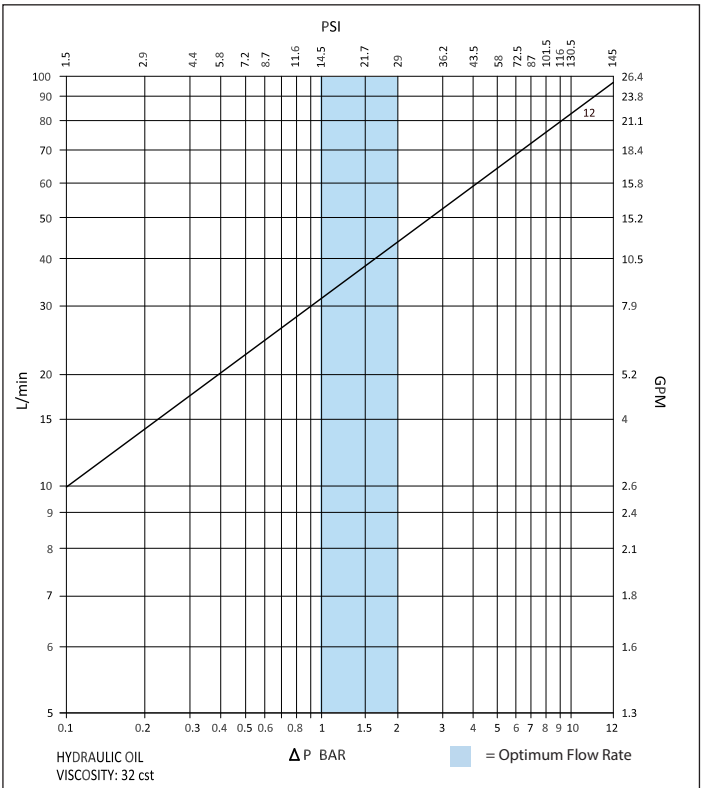
ORDER CODES



DRAWING



PRESSURE DROP CHARACTERISTICS



GENERAL PURPOSE COUPLERS

DIMENSIONS

Size	Thread Size (A)	B	C	D	$\varnothing E$	F	G	$\varnothing H$	$\varnothing I$	$\varnothing J$	Maximum Working Pressure	Burst Pressure (Coupled)	Burst Pressure (Male)	Burst Pressure (Female)
		Dimensions in mm									Bar			
		Dimensions in Inches									Psi			
TB 12	1/2"	30.0	27.0	55.5	44.0	55.5	96.0	33.0	30.0	29.0	220	900	1110	900
		1.2	1.1	2.2	1.7	2.2	3.8	1.3	1.2	1.1	3190	13050	16095	13050

PSI= Bar x14.5 Inches= mm/25.4



PLC SERIES

Screw connect and pull break couplers

INTRODUCTION

Holmbury's PLC Series screw connect couplers allow for connection under pressure and are ideal choice for snow removal applications with high pressure pulses.

CONSTRUCTION

- Carbon steel with trivalent plating
- Fitted with Nitrile seals

FEATURES

- Screw connection only possible with both halves of PLC Series
- Screw connect design eliminates brinelling
- Can be connected with residual pressure in the system
- Bidirectional flow

ACCESSORIES

- Dust Caps and Plugs are available for the PLC Series



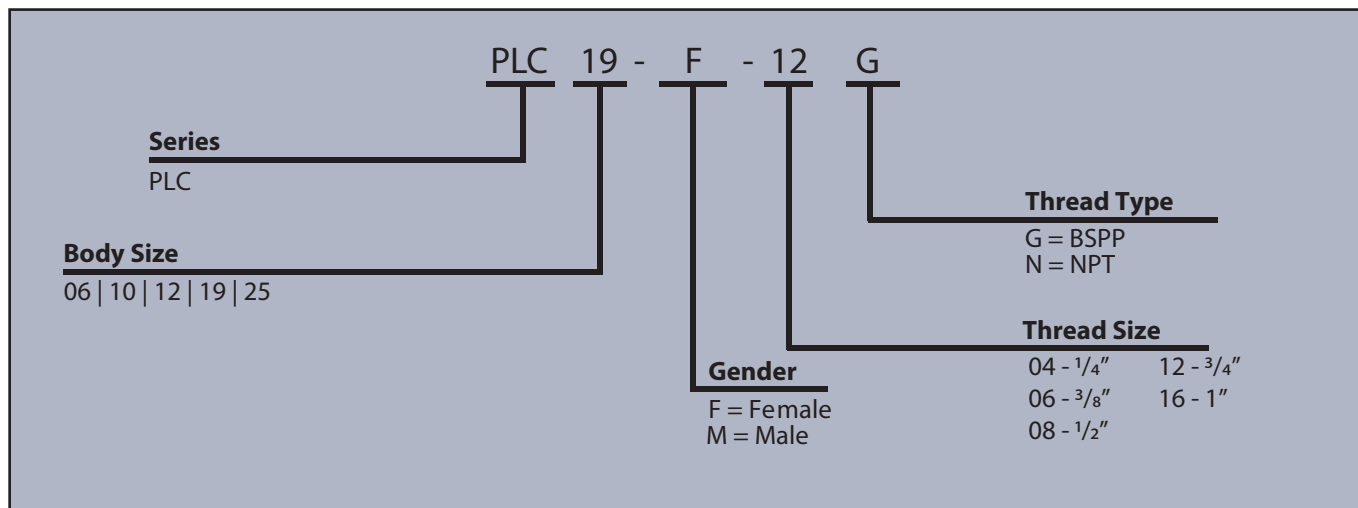
SPECIFICATIONS

- Operating temperatures (with Nitrile seals): -40°C (-40°F) to 106°C (223°F)

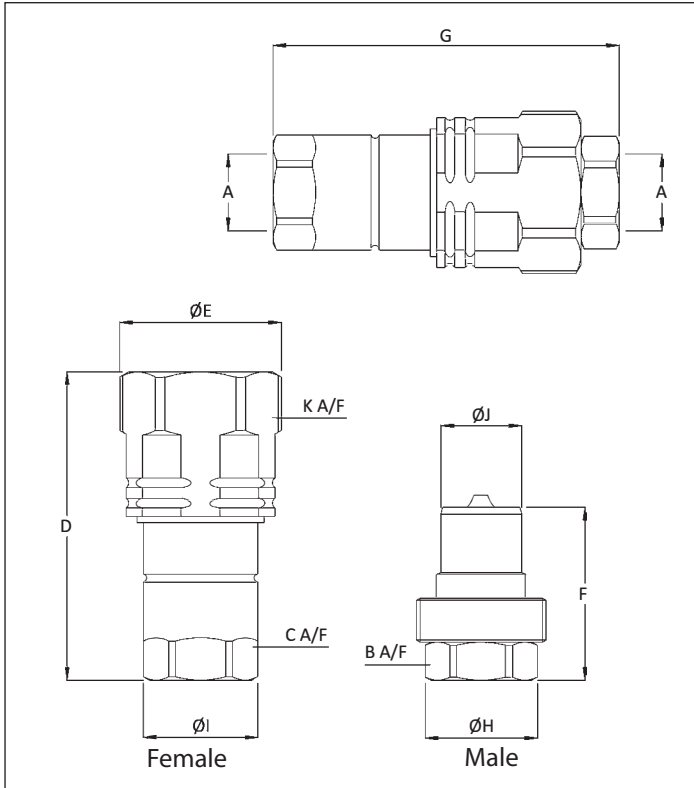
APPLICATIONS

- Snow removal
- Agricultural
- General industrial
- Mobile equipment

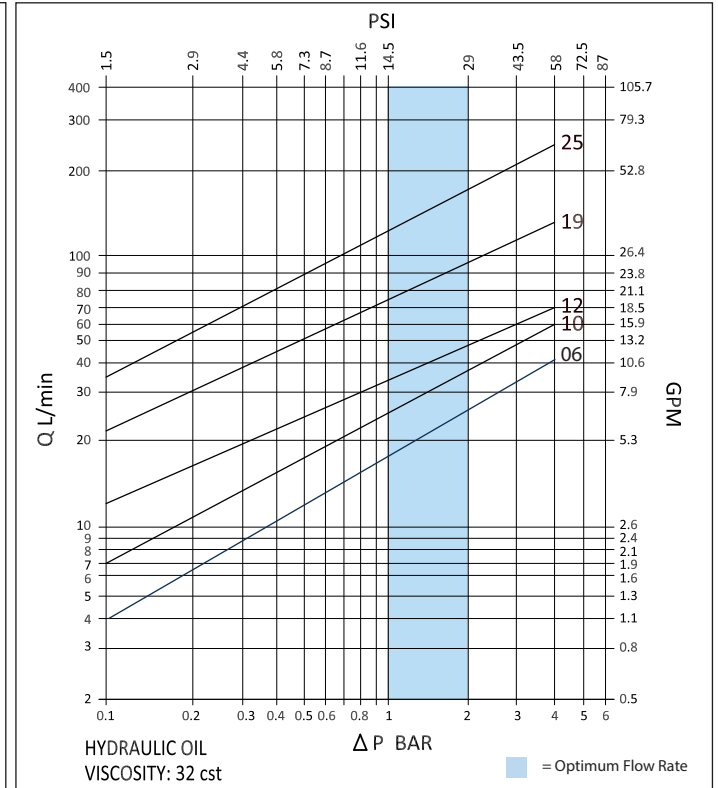
ORDER CODES



DRAWING



PRESSURE DROP CHARACTERISTICS



GENERAL PURPOSE COUPLERS

DIMENSIONS

Size	Thread Size (A)*	B	C	K	D	ØE	F	G	ØH	ØI	ØJ	Maximum Working Pressure	Burst Pressure (Coupled)	Burst Pressure (Male)	Burst Pressure (Female)
												Psi			
PLC 06	1/4"	19.0	19.0	27.0	50.0	30.0	33.0	66.0	22.0	22.0	14.2	300	1600	1600	1550
		0.7	0.7	1.1	2.0	1.2	1.3	2.6	0.9	0.9	0.6	4350	23200	23200	22475
PLC 10	3/8"	24.0	24.0	34.0	72.0	38.0	40.5	83.0	27.0	27.0	19.0	300	1600	1600	1550
		0.9	0.9	1.3	2.8	1.5	1.6	3.3	1.1	1.1	0.7	4350	23200	23200	22475
PLC 12	1/2"	27.0	27.0	38.2	82.0	42.0	49.0	95.8	30.0	30.0	20.5	300	1600	1550	1500
		1.1	1.1	1.5	3.2	1.7	1.9	3.8	1.2	1.2	0.8	4350	23200	22475	21750
PLC 19	3/4"	34.0	34.0	50.0	108.0	55.0	62.0	126.0	38.0	38.0	28.0	280	1300	1300	1300
		1.3	1.3	2.0	4.3	2.2	2.4	5.0	1.5	1.5	1.1	4060	18850	18850	18850
PLC 25	1"	41.0	41.0	55.0	124.0	61.0	73.0	144.5	45.5	44.0	31.5	250	1200	1200	1100
		1.6	1.6	2.2	4.9	2.4	2.9	5.7	1.8	1.7	1.2	3625	17400	17400	15950

*Dimensions based on BSPP threads

PSI= Bar x14.5 Inches= mm/25.4



KM 115/116 SERIES

High pressure poppet valve couplers

INTRODUCTION

Holmbury's KM 115/116 Series high pressure poppet valve couplers are primarily used in bolt tensioners and other high pressure applications. The KM 116 can withstand a higher maximum working pressure than the KM 115.

CONSTRUCTION

- KM 115- Carbon steel with grey zinc nickel plating (1200 hours with no red rust in salt spray tests)
- KM 116- Carbon steel with black zinc nickel plating (1200 hours with no red rust in salt spray tests)
- Available in size 02 body with 1/4" NPT or BSP threads
- Fitted with Nitrile seals

FEATURES

- 1000 bar maximum working pressure (KM 115), 1500 bar maximum working pressure (KM 116)
- Poppet valve design
- Locking ball system allows quick connection
- Bidirectional flow

ACCESSORIES

- Dust Caps and Plugs are available for the KM Series



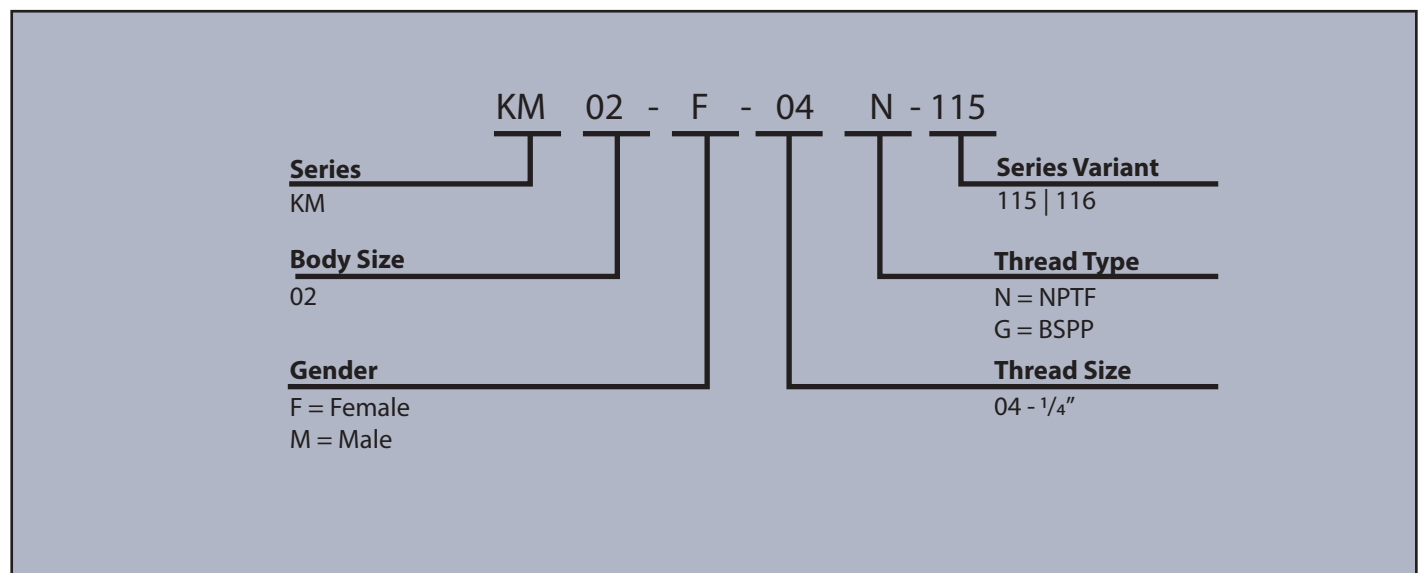
SPECIFICATIONS

- Operating temperatures (With Nitrile seals): -40°C (-40°F) to 106°C (223°F)

APPLICATIONS

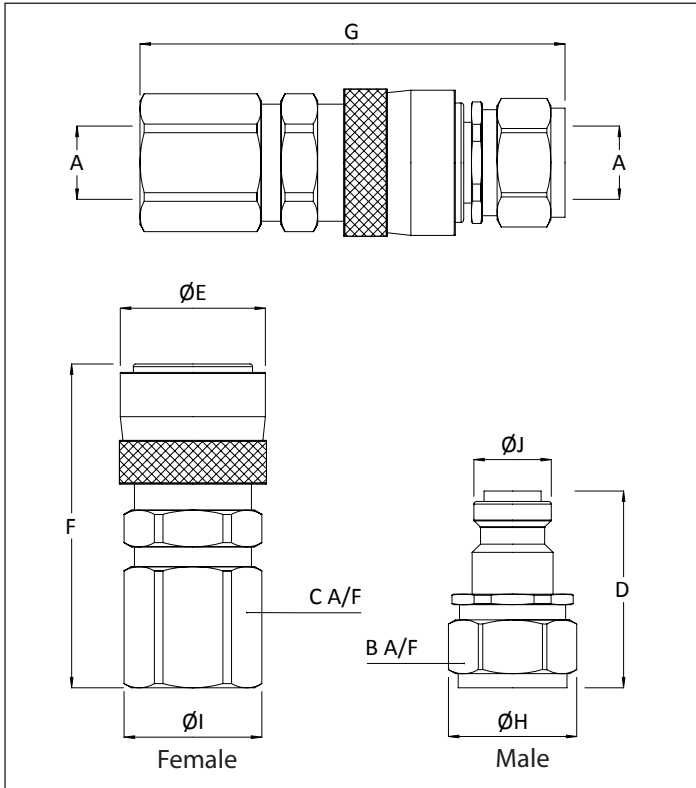
- Bolt tensioners
- Hydraulic jacks
- Hydraulic hammers
- Other high pressure applications

ORDER CODES

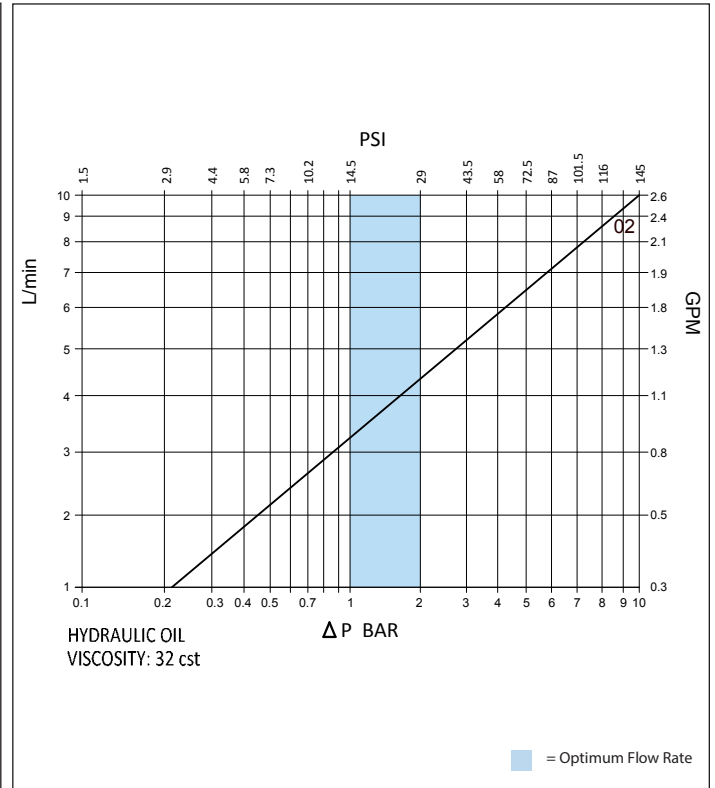


KM 115/116 SERIES

DRAWING



PRESSURE DROP CHARACTERISTICS



GENERAL PURPOSE COUPLERS

DIMENSIONS

Size	Thread Size (A)	B	C	D	ØE	F	G	ØH	ØI	ØJ	Maximum Working Pressure	Burst Pressure (Coupled)	Burst Pressure (Male)	Burst Pressure (Female)
		Dimensions in mm									Bar			
		Dimensions in Inches									Psi			
KM 02-115	1/4"	21.8	23.8	38.1	27.8	61.5	81.4	24.7	26.4	14.8	1000	2500	2500	2400
		0.9	0.9	1.5	1.1	2.4	3.2	1.0	1.0	0.6	14500	36250	36250	34800
KM 02-116	1/4"	21.8	23.8	38.1	27.8	61.5	81.4	24.7	26.4	14.8	1500	3000	3000	2900
		0.9	0.9	1.5	1.1	2.4	3.2	1.0	1.0	0.6	21750	43500	43500	42050

PSI= Bar x14.5 Inches= mm/25.4

WARNING

Hydraulic couplers operating at high pressures pose a significant risk to personal safety. Please refer to our Safety Guidelines for more information.



GG90 SERIES

90 degree rotary couplers

INTRODUCTION

Holmbury's GG90 Series 90 degree rotary couplers are designed for use on hydraulics lines that may be subject to torsional stress to allow rotation of hydraulic pipes and hoses. Using a rotary coupler in the hydraulic line stops the hose twisting, limiting stress and increasing hose lifespan.

CONSTRUCTION

- Carbon steel with trivalent plating
- Fitted with Nitrile seals
- Also available in AISI 316 stainless steel (See SR90 Series)

FEATURES

- Reduces torsional forces
- Can also be used in applications that are required to rotate but not under pressure, such as hose reels
- Spindle is carried on a roller bearing and has a low friction shaft seal that can rotate at maximum pressure with low torque

SPECIFICATIONS

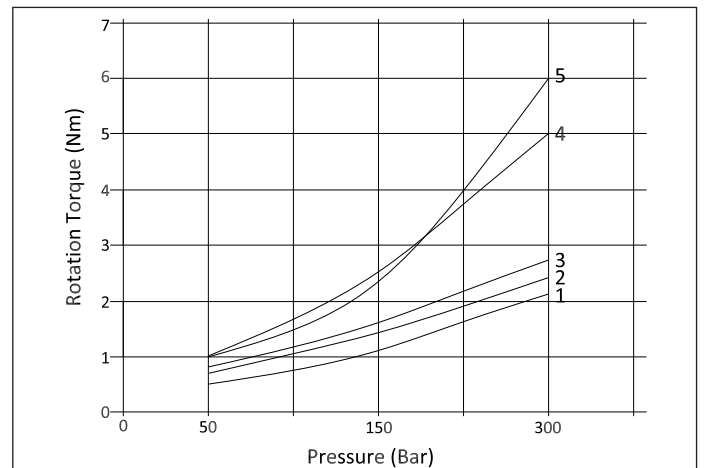
- Operating temperatures (with Nitrile seals): -40°C (-40°F) to 106°C (223°F)

APPLICATIONS

- Designed for usage in general hydraulic systems, machine tools, test equipment, agricultural, and mobile hydraulics



ROTATIONAL TORQUE

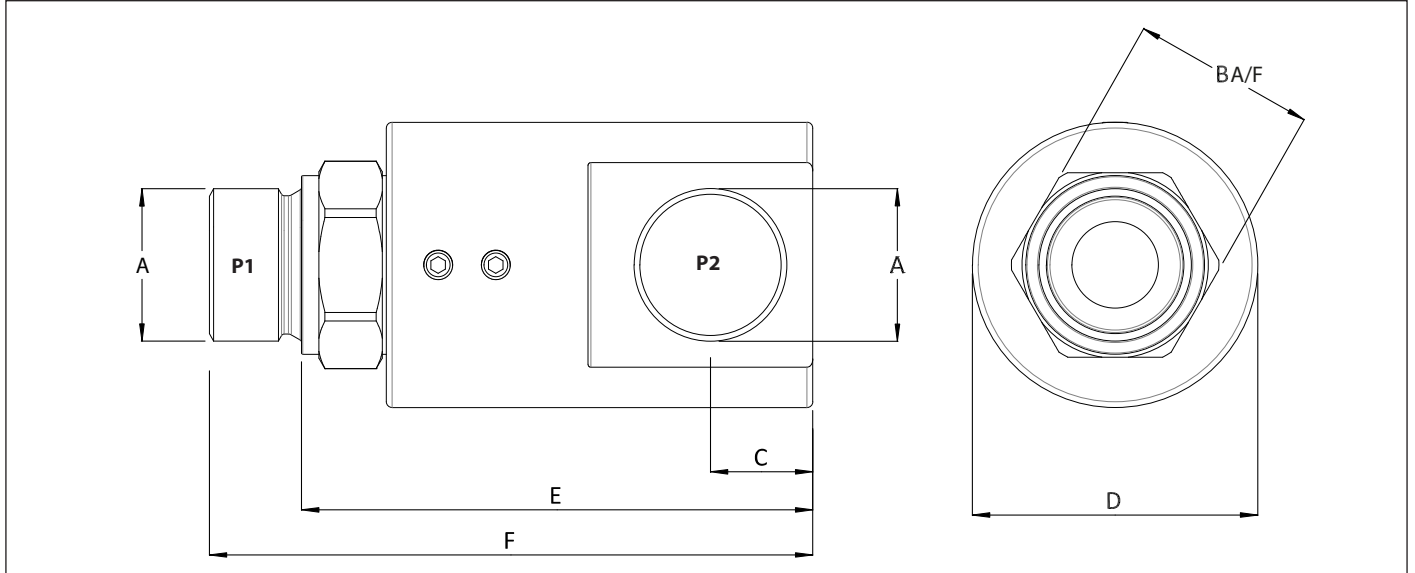


ORDER CODES

Series		GG90		19 - 12		G		M - 12		G	
GG90										Thread Type (Female Only) G = BSPP N = NPT S = SAE	
Body Size										Thread Size (P2) 04 - 1/4" 16 - 1" 06 - 3/8" 20 - 1 1/4" 08 - 1/2" 24 - 1 1/2" 10 - 5/8" 32 - 2" 12 - 3/4"	
06 - 1/4" 25 - 1"											
10 - 3/8" 32 - 1 1/4"											
12 - 1/2" 40 - 1 1/2"											
19 - 3/4" 50 - 2"											
		Thread Size (P1) 04 - 1/4" 16 - 1" 06 - 3/8" 20 - 1 1/4" 08 - 1/2" 24 - 1 1/2" 10 - 5/8" 32 - 2" 12 - 3/4"									
				Thread Type G = BSPP S = SAE N = NPT J = JIC							



DRAWING



DIMENSIONS

Size	Thread Size (A)*	B	C	ØD	E	F	Maximum Working Pressure	Maximum Flow Rate	Maximum Rotational Speed†
		Dimensions in mm					Bar		
		Dimensions in Inches					Psi	L/Min	RPM
GG90-06	1/4"	19	11.3	33	57.5	71	400	25	500
		0.7	0.4	1.3	2.3	2.8	5800		
GG90-10	3/8"	24	13.5	37.7	65.7	77.5	400	45	400
		0.9	0.5	1.5	2.6	3.1	5800		
GG90-12	1/2"	27	16.3	39.5	77.5	91.4	360	80	370
		1.1	0.6	1.6	3.1	3.6	5220		
GG90-19	3/4"	34	19	55.9	81	100	310	120	280
		1.3	0.7	2.2	3.2	3.9	4495		
GG90-25	1"	41.2	22.8	59.5	101	120	280	150	230
		1.6	0.9	2.3	4.0	4.7	4060		
GG90-32	1 1/4"	50	32	64.5	84.1	120	250	200	200
		2.0	1.3	2.5	3.3	4.7	3625		
GG90-40	1 1/2"	55	39	76	114.5	137.5	210	250	170
		2.2	1.5	3.0	4.5	5.4	3045		
GG90-50	2"	70	43.5	86	123.4	149	180	300	140
		2.8	1.7	3.4	4.9	5.9	2610		

*Dimensions based on BSPP threads

PSI= Bar x14.5 Inches= mm/25.4

† Note: The maximum rotational speed quoted is for zero pressure and hydraulic oils

GGIL SERIES

In-line rotary couplers

INTRODUCTION

Holmbury's GGIL Series in-line rotary couplers are designed for in-line use on hydraulic circuits. Using a rotary coupler in the hydraulic line stops the hose twisting, limiting stress and increasing hose lifespan.

CONSTRUCTION

- Carbon steel with trivalent plating
- Fitted with Nitrile seals
- Also available in AISI 316 stainless steel (See SRIL Series)

FEATURES

- Reduces torsional forces
- Can also be used in applications that are required to rotate but not under pressure, such as hose reels
- Spindle is carried on a roller bearing and has a low friction shaft seal that can rotate at maximum pressure with low torque

SPECIFICATIONS

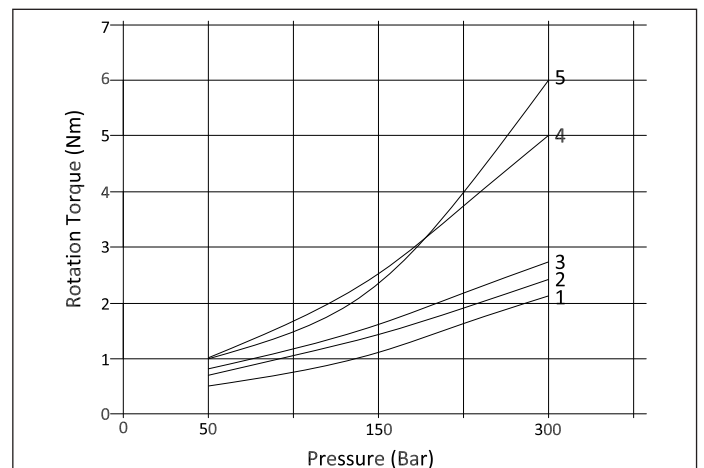
- Operating temperatures (with Nitrile seals): -40°C (-40°F) to 106°C (223°F)

APPLICATIONS

- Designed for usage in general hydraulic systems, machine tools, test equipment, agricultural, and mobile hydraulics



ROTATIONAL TORQUE

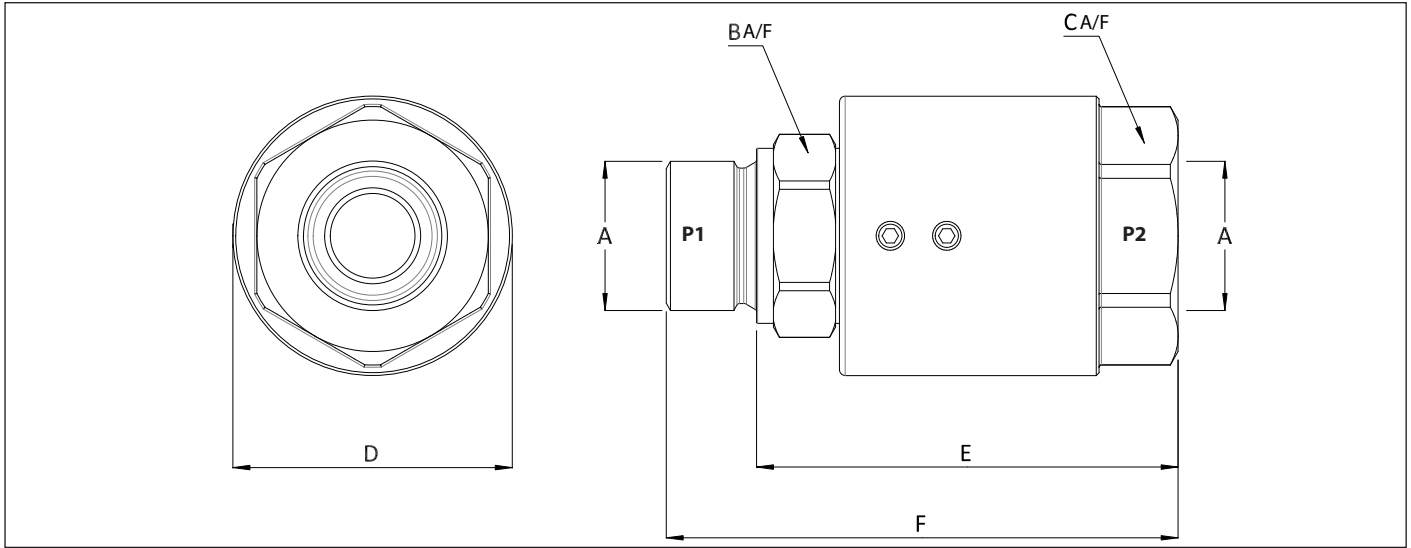


ORDER CODES

Series		GGIL - 19 - 12		G	M - 12	G	Thread Type (Female Only)		
GG90							G = BSPP N = NPT S = SAE		
Body Size								Thread Size (P2)	
06 - 1/4"	25 - 1"							04 - 1/4"	16 - 1"
10 - 3/8"	32 - 1 1/4"							06 - 3/8"	20 - 1 1/4"
12 - 1/2"	40 - 1 1/2"							08 - 1/2"	24 - 1 1/2"
19 - 3/4"	50 - 2"							10 - 5/8"	32 - 2"
		Thread Size (P1)						12 - 3/4"	
		04 - 1/4"	16 - 1"						
		06 - 3/8"	20 - 1 1/4"	Thread Type					
		08 - 1/2"	24 - 1 1/2"	G = BSPP	S = SAE				
		10 - 5/8"	32 - 2"	N = NPT	J = JIC				
		12 - 3/4"							



DRAWING



DIMENSIONS

Size	Thread Size (A)*	B	C	ØD	E	F	Maximum Working Pressure	Maximum Flow Rate	Maximum Rotational Speed
		Dimensions in mm					Bar		
		Dimensions in Inches					Psi	L/Min	RPM
GGIL-06	1/4"	19	30	34	52	63	400	25	500
		0.7	1.2	1.3	2.0	2.5	5800		
GGIL-10	3/8"	24	32	37.6	54.8	66.5	400	45	400
		0.9	1.3	1.5	2.2	2.6	5800		
GGIL-12	1/2"	27	32	39.5	56.6	70.8	360	80	370
		1.1	1.3	1.6	2.2	2.8	5220		
GGIL-19	3/4"	32	41	49.5	74.8	90.8	310	120	280
		1.3	1.6	1.9	2.9	3.6	4495		
GGIL-25	1"	41	46	54.5	80.8	100.2	280	150	230
		1.6	1.8	2.1	3.2	3.9	4060		
GGIL-32	1 1/4"	50	54.7	59.7	78.5	98.2	250	200	200
		2.0	2.2	2.4	3.1	3.9	3625		
GGIL-40	1 1/2"	55	65	70	85	107	210	250	170
		2.2	2.6	2.8	3.3	4.2	3045		
GGIL-50	2"	70	75	79.5	92	117	180	300	140
		2.8	3.0	3.1	3.6	4.6	2610		

*Dimensions based on BSPP threads

PSI= Bar x14.5 Inches= mm/25.4

† Note: The maximum rotational speed quoted is for zero pressure and hydraulic oils

DTP SERIES

Diagnostic test point couplers made to the ISO 15171-1 Standard

INTRODUCTION

Holmbury's DTP Series diagnostic test point couplers are designed to connect & disconnect pressure gauges to hydraulic systems for diagnostic purposes.

CONSTRUCTION

- Carbon steel with trivalent plating
- Fitted with Nitrile seals

FEATURES

- Pull sleeve allows push to connect operation
- Allows for minimal inclusion of air and contaminants during connection
- Flat face design prevents fluid loss during disconnection
- Bidirectional flow

ACCESSORIES

- Dust Caps are available for the DTP Series



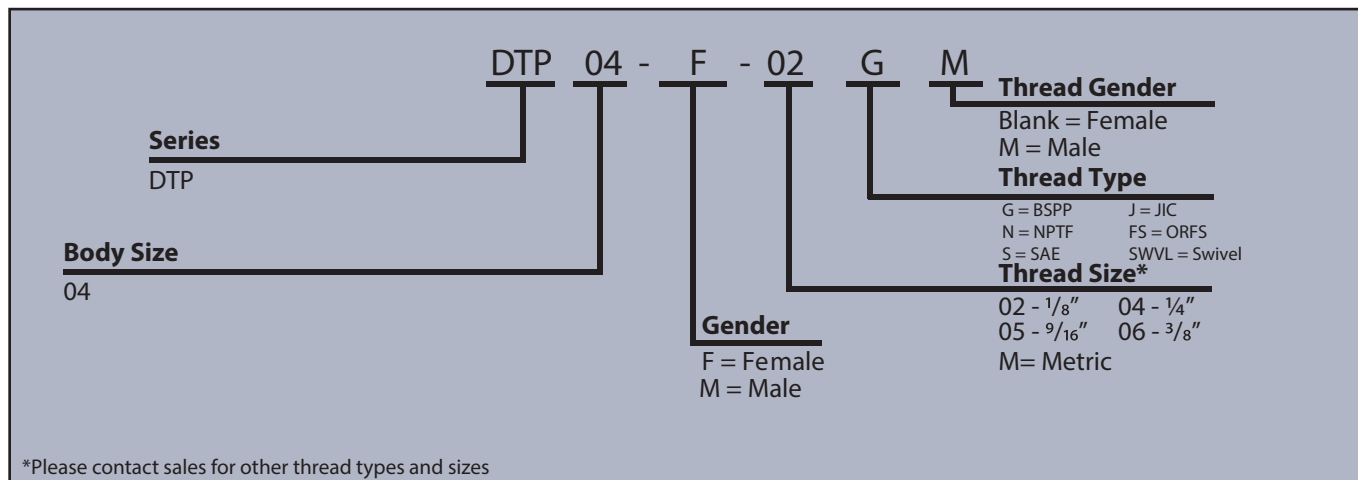
SPECIFICATIONS

- Operating temperatures (with Nitrile seals): -40°C (-40°F) to 106°C (223°F)

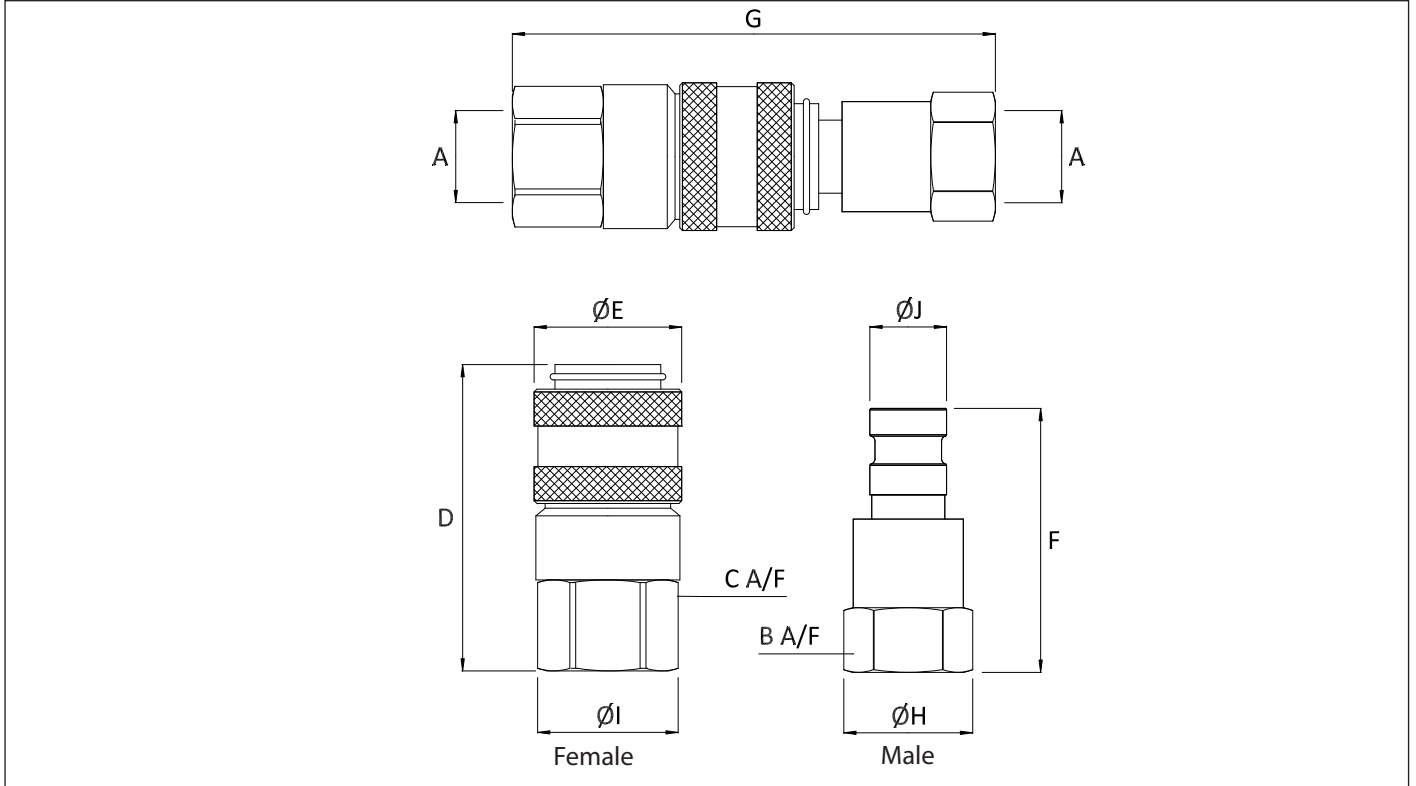
APPLICATIONS

- Pressure testing on hydraulic systems

ORDER CODES



DRAWING



DIMENSIONS

Size	Thread Size (A)	B	C	D	ØE	F	G	ØH	ØI	ØJ	Maximum Working Pressure
Dimensions in mm											Bar
Dimensions in Inches											Psi
DTP 04	1/8"	18.9	21.0	45.6	24.1	43.0	74.2	21.0	23.0	12.6	400
		0.7	0.8	1.8	0.9	1.7	2.9	0.8	0.9	0.5	5800
DTP 04	1/4"	18.9	21.0	50.0	24.1	43.1	78.9	21.0	23.0	12.6	400
		0.7	0.8	2.0	0.9	1.7	3.1	0.8	0.9	0.5	5800
DTP 04	9/16"	18.9	21.0	50.0	24.1	43.1	78.9	21.0	23.0	12.6	400
		0.7	0.8	2.0	0.9	1.7	3.1	0.8	0.9	0.5	5800

Note: Dimensions D, F and G will vary dependant on selected thread type

PSI= Bar x14.5 Inches= mm/25.4

MP SERIES

Multiplate couplers

INTRODUCTION

Holmbury's MP Series multiplate couplers allow the simultaneous connection of multiple hydraulic lines. The MP Series inherits the benefits of Holmbury's flat face coupler design. Currently available with 2, 4 or 6 port design.

CONSTRUCTION

- Couplers and handle- Carbon steel with zinc nickel plating (1200 hours with no red rust in salt spray tests)
- Body- Aluminium black anodized
- Button - Aluminium red anodized
- Fitted with Nitrile and polyurethane seals

FEATURES

- Connect under pressure male couplers
- Couplers are circlip mounted and can be replaced or removed easily
- Flat faces are easily wiped clean
- Allows for minimal inclusion of air and contaminants during connection
- Flat face design prevents fluid loss during disconnection
- Electrical connections may be added upon request
- Various configurations for handle and button arrangement available upon request
- Bidirectional flow



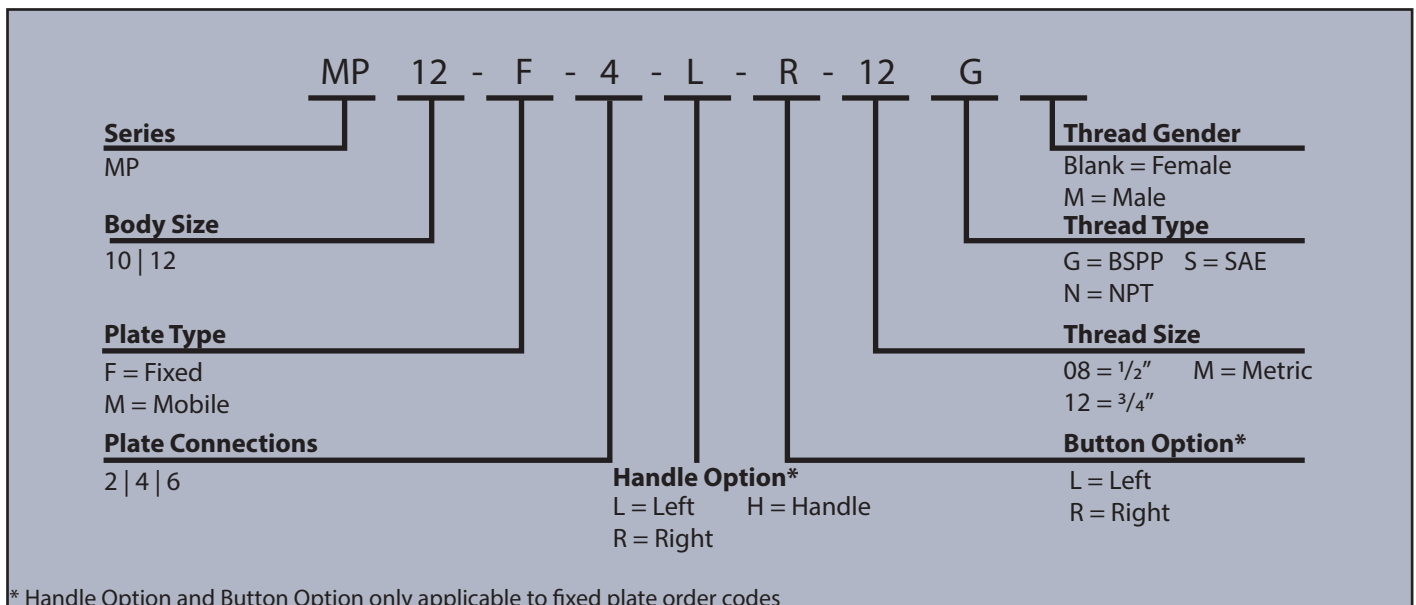
SPECIFICATIONS

- Operating temperatures (With Nitrile seals): -40°C (-40°F) to 106°C (223°F)

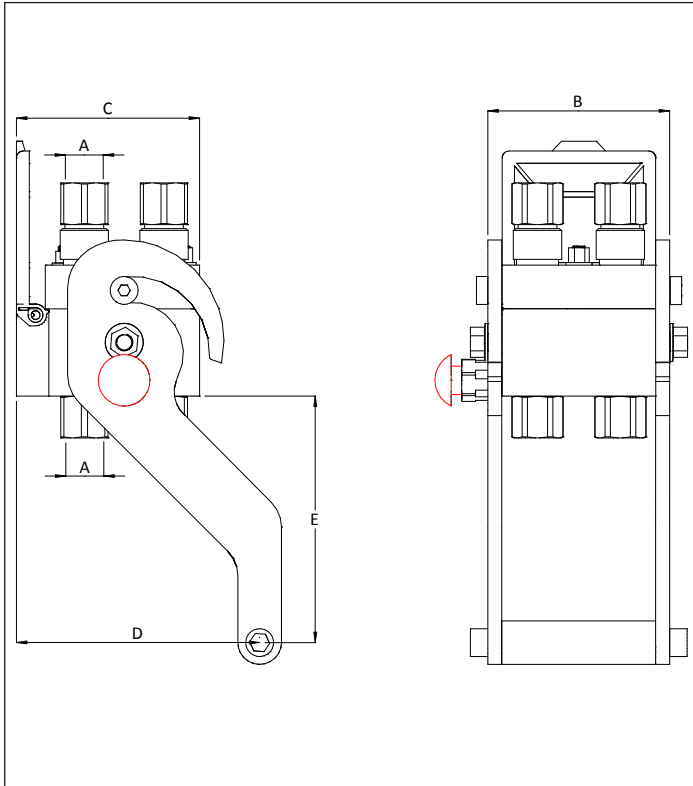
APPLICATIONS

- Leak free environments
- Mobile construction equipment
- Tractors and other agricultural machinery
- General industrial

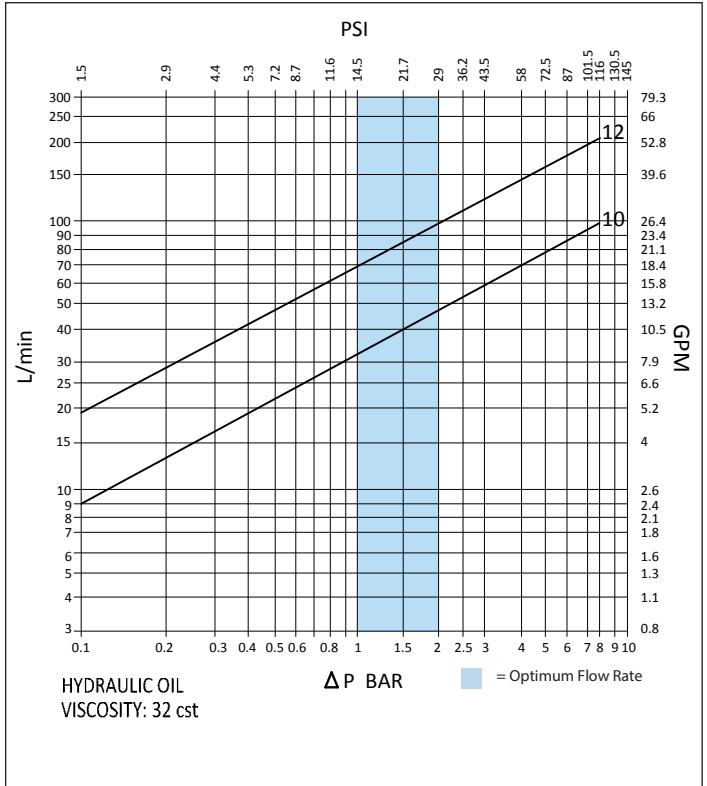
ORDER CODES



DRAWING



PRESSURE DROP CHARACTERISTICS



SPECIALIST COUPLERS

DIMENSIONS

Size	Thread Size (A)	B	C	D	E	Maximum Working Pressure	Burst Pressure (Coupled)	Burst Pressure (Male)	Burst Pressure (Female)
		Dimensions in mm				Bar			
		Dimensions in Inches				Psi			
MP 10-4	1/2"	104	105	139	141	350	1500	1050	1100
		4.1	4.1	5.5	5.6	5075	21750	15225	15950
MP 10-6	1/2"	142	105	139	141	350	1500	1050	1100
		5.6	4.1	5.5	5.6	5075	21750	15225	15950
MP 12-2	3/4"	106	105	144	143	350	1200	1000	1050
		4.2	4.1	5.7	5.6	5075	17400	14500	15225
MP 12-4	3/4"	117	105	144	143	350	1200	1000	1050
		4.6	4.1	5.7	5.6	5075	17400	14500	15225
MP 12-6	3/4"	161	105	144	143	350	1200	1000	1050
		6.4	4.1	5.7	5.6	5075	17400	14500	15225

Note: Measurements D and E based on Linked Handle

PSI= Bar x14.5 Inches= mm/25.4



HDB SERIES

Decompression block couplers

INTRODUCTION

Holmbury's HDB Series is a block coupler designed for the quick changeover of hydraulic attachments for skid steer loaders, compact loaders, backhoe loaders and compact utility vehicles. The decompression feature enables the operator to alleviate trapped pressure, allowing the quick and easy connection of various attachments.

CONSTRUCTION

- HQ Series couplers are carbon steel with zinc nickel plating (1200 hours with no red rust in salt spray tests)
- Block body is ductile cast iron
- Fitted with Nitrile and PTFE seals

FEATURES

- Operator friendly decompression system allows for easy connection and disconnection with trapped residual pressure
- Pull activation feature prevents accidental system decompression
- All couplers are flat face and are designed to the ISO 16028 Standard
- Low profile coupler design minimizes side loading
- Coupler arrangement can be ordered in 1/2" (Size 12) for standard flow or 3/4" (Size 19) for high flow applications
- Case drain coupler is standard 3/8" (Size 10)
- Low cost replacement couplers
- Accessible design allows for servicing of internal components

ORDER CODES

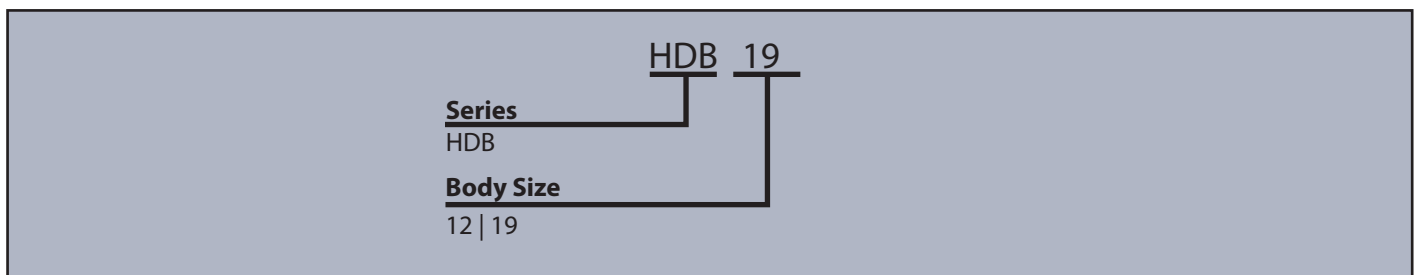


SPECIFICATIONS

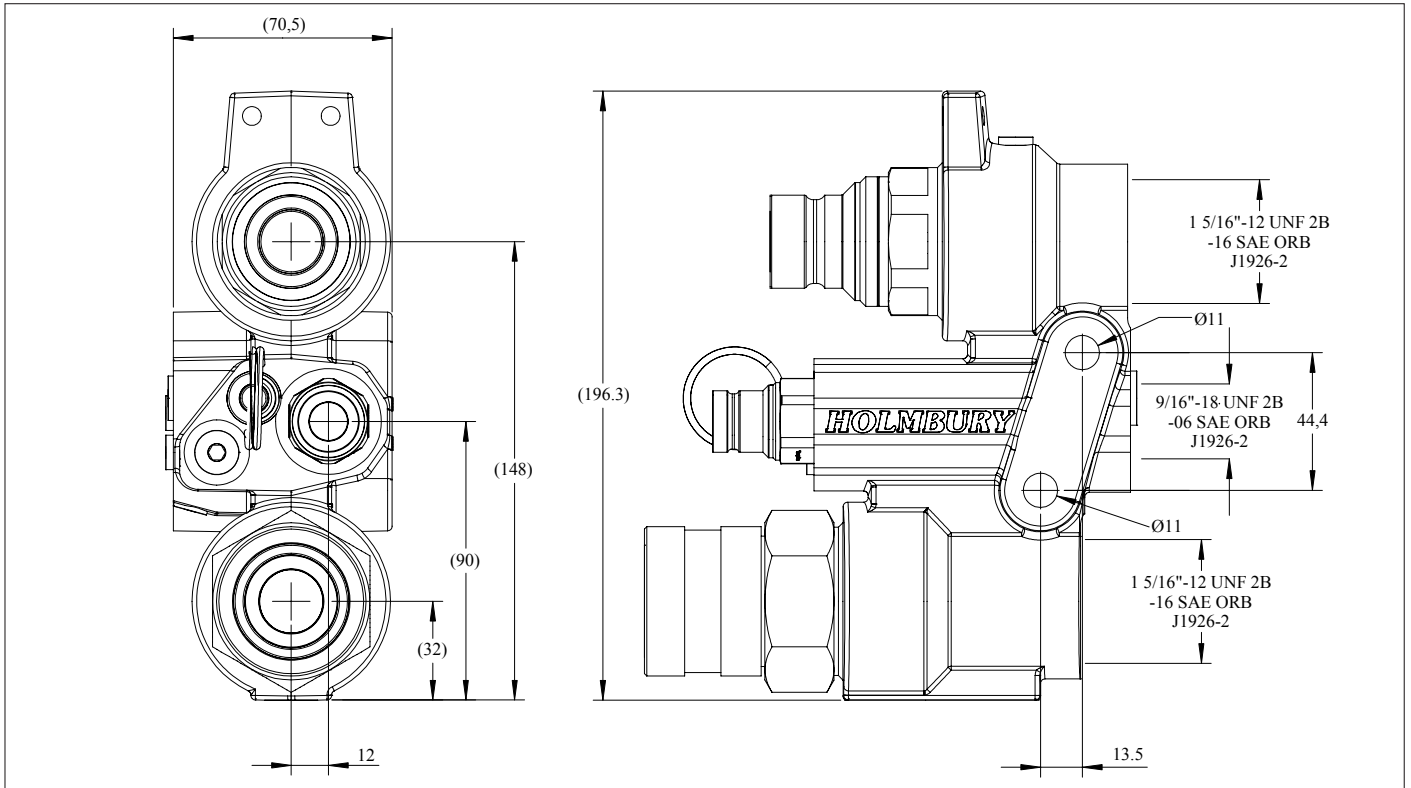
- Operating temperatures (With Nitrile seals): -40°C (-40°F) to 106°C (223°F).
- Maximum working pressure 350 bar
- Flow rate at 2 bar delta P 1/2" (size 12) 76.4 L/Min & 3/4" (size 19) 136 L/Min
- Decompression force 130 Nm at 275 bar trapped pressure

APPLICATIONS

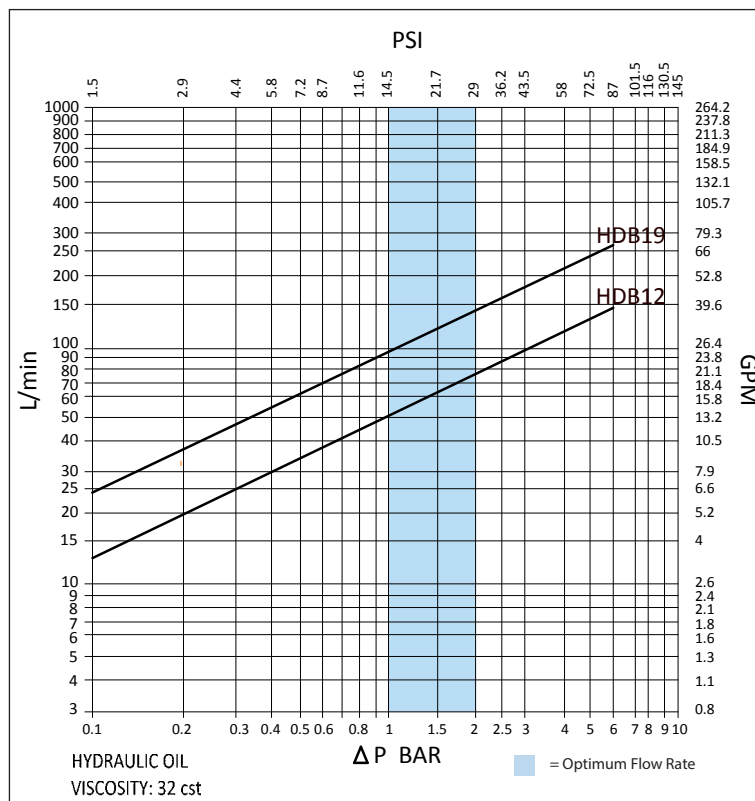
- Quick changeover of construction equipment attachments
- Skid steer loaders
- Track loaders
- Excavators
- Compact loaders
- Utility vehicles



DRAWING & DIMENSIONS



PRESSURE DROP CHARACTERISTICS



FFC SERIES

Replacement cartridge couplers for the Faster 4BD4FH/4BD4FI

INTRODUCTION

Holmbury's FFC Series is a replacement flat face cartridge coupler for the Faster 4BD4FH and 4BD4FI blocks. The FFC Series is designed for the quick changeover of hydraulic attachments for skid steer loaders, compact loaders, backhoe loaders and compact utility vehicles. The female coupler features an internal decompression solution (*Patent pending*) that enables the coupler to always be depressurized when disconnected, whilst the male coupler has built-in connect under pressure functionality.

CONSTRUCTION

- Couplers are carbon steel with zinc nickel plating (1200 hours with no red rust in salt spray tests)
- Currently available in size 12 body
- Fitted with Nitrile seals

FEATURES

- Internal design allows the female half to always be depressurized when disconnected
- Male has built-in connect under pressure functionality
- Couplers are flat face and are designed to the ISO 16028 Standard
- Low profile coupler design minimizes side loading
- Low cost replacement couplers



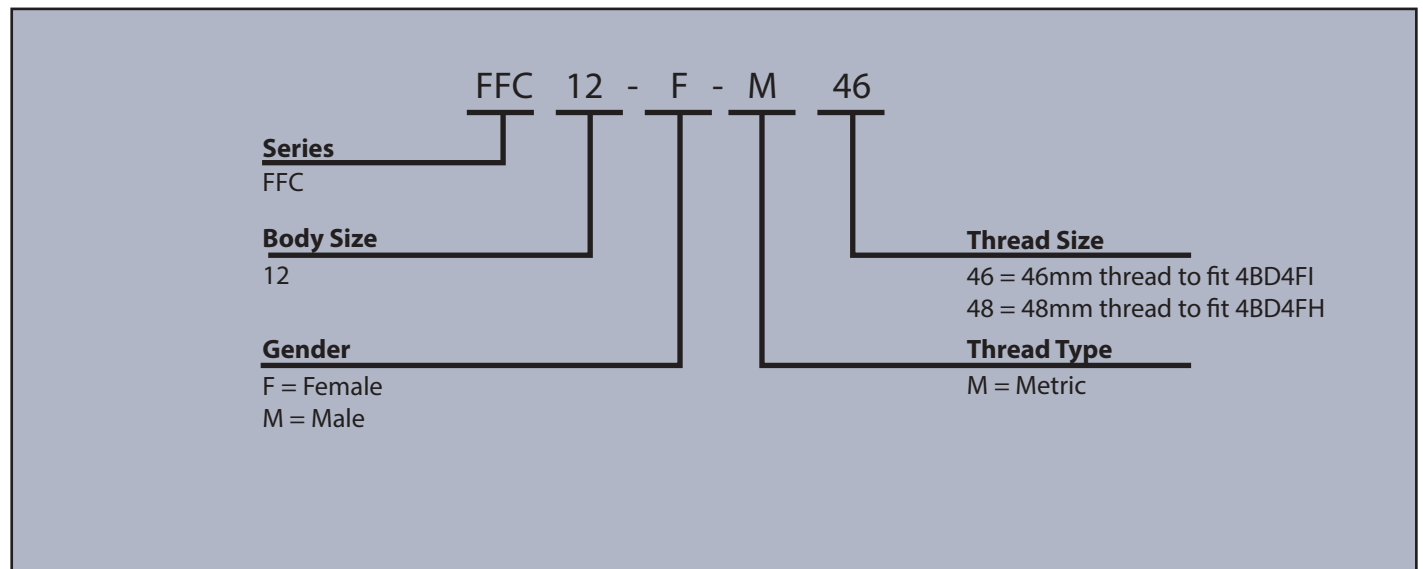
SPECIFICATIONS

- Operating temperatures (With Nitrile seals): -40°C (-40°F) to 106°C (223°F)
- Maximum working pressure 350 bar

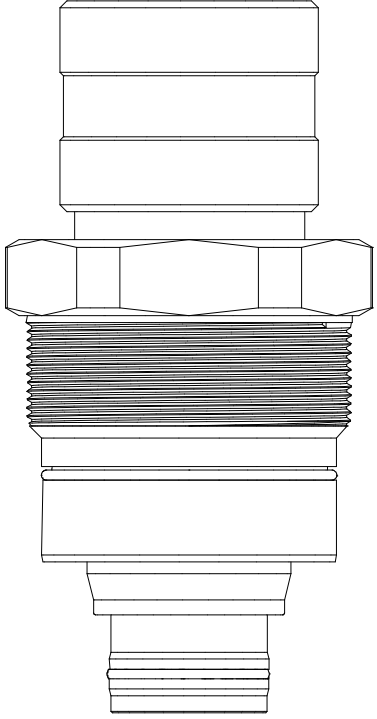
APPLICATIONS

- Quick changeover of construction equipment attachments
- Skid steer loaders
- Track loaders
- Excavators
- Compact loaders
- Utility vehicles

ORDER CODES



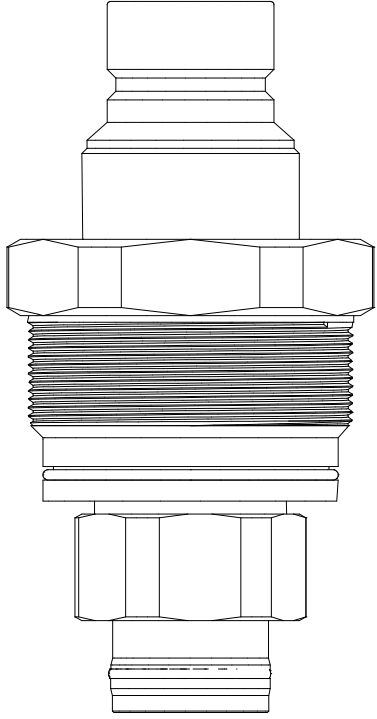
DRAWING



PATENT PENDING

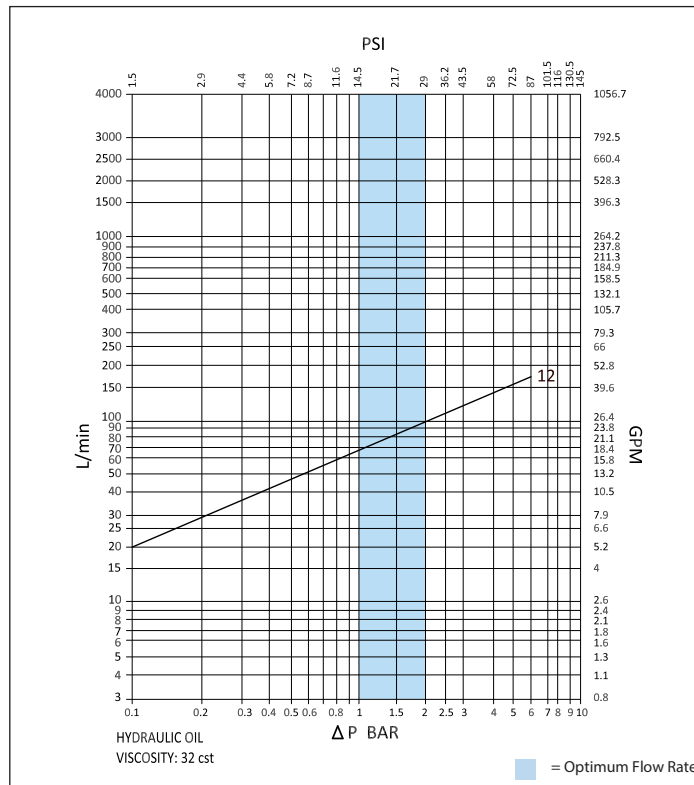
Size	Maximum Working Pressure	Burst Pressure (Coupled)	Burst Pressure (Male)	Burst Pressure (Female)
FFC 12	Bar			
	Psi			
	350	1250	1250	1250
	5075	18125	18125	18125

PSI= Bar x14.5



Female
Male

PRESSURE DROP CHARACTERISTICS



HSS SERIES

Stainless steel flat face couplers made to the ISO 16028 Standard dimensions

INTRODUCTION

Holmbury's HSS Series stainless steel flat face couplers incorporate all the benefits of the carbon steel HQ Series couplers, while being perfectly suited for corrosive fluids and environments.

CONSTRUCTION

- AISI 316 stainless steel
- Fitted with Viton seals (Other seals available on request)
- Also available in carbon steel (See HQ Series)

FEATURES

- Safety locking sleeve fitted as standard to prevent accidental disconnection
- Flat faces are easily wiped clean
- Allows for minimal inclusion of air and contaminants during connection
- Flat face design prevents fluid loss during disconnection
- Bidirectional flow

ACCESSORIES

- Dust Caps and Plugs are available for the HSS Series



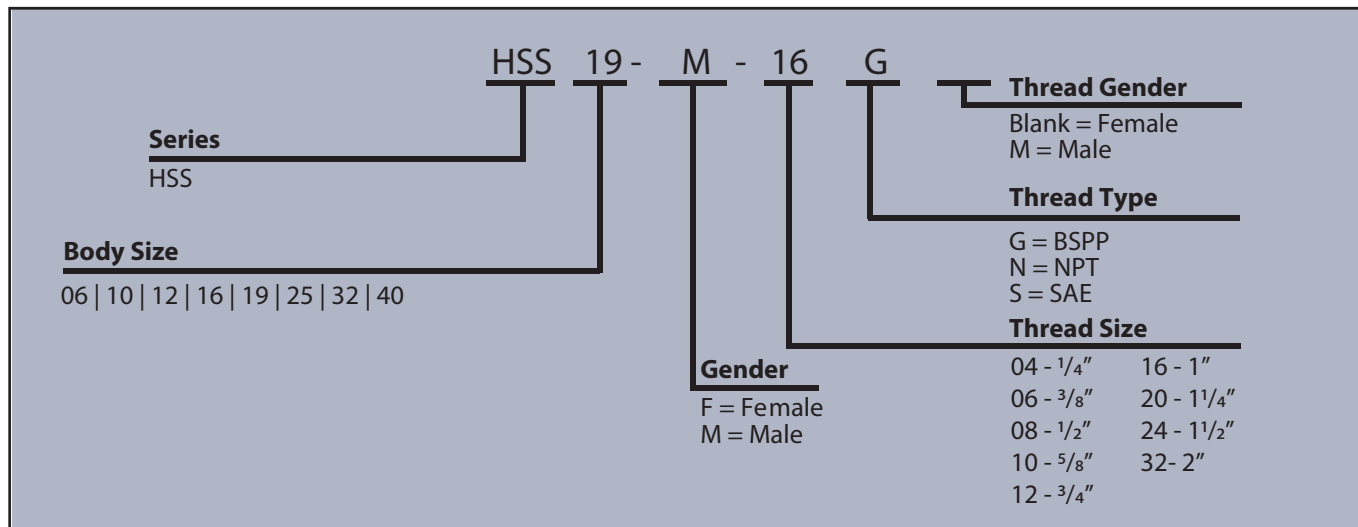
SPECIFICATIONS

- Operating temperatures (With Viton seals): -20°C (-4°F) to 200°C (392°F)

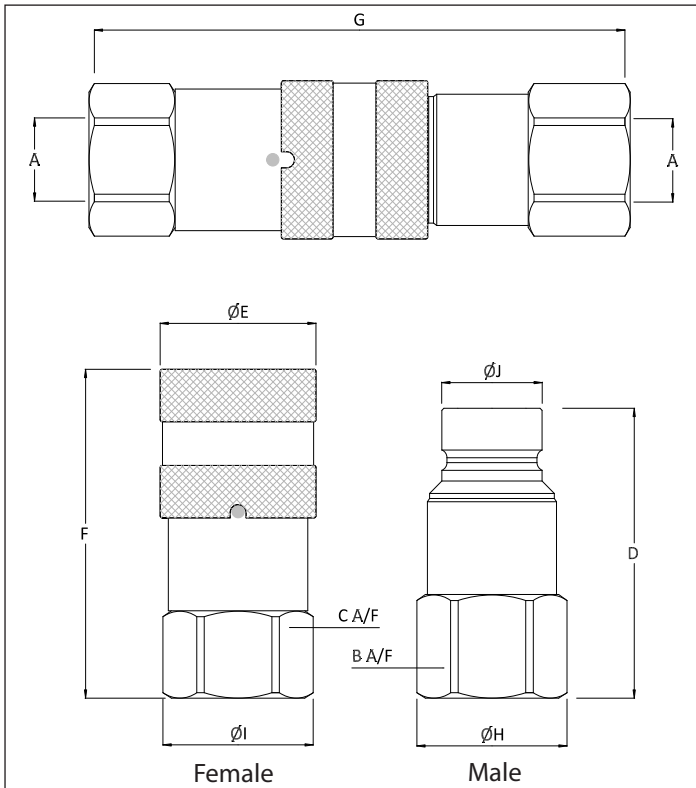
APPLICATIONS

- Corrosive fluids and environments
- Marine
- Oil and gas
- Chemical
- Pharmaceutical
- Nuclear

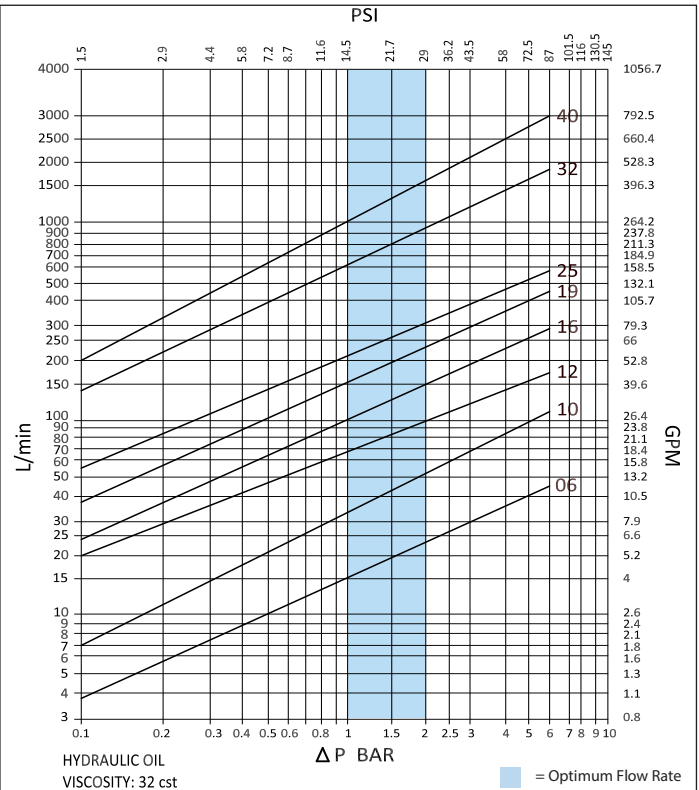
ORDER CODES



DRAWING



PRESSURE DROP CHARACTERISTICS



DIMENSIONS

Size	Thread Size (A)*	Dimensions in mm									Bar			
		B	C	D	ØE	F	G	ØH	ØI	ØJ	Psi			
HSS 06	1/4"	Dimensions in mm									Bar			
		Dimensions in Inches									Psi			
HSS 06	1/4"	22.0	22.0	48.0	28.0	48.0	86.0	23.7	23.7	16.2	350	1300	2600	1600
		0.9	0.9	1.9	1.1	1.9	3.4	0.9	0.9	0.6	5075	18850	37700	23200
HSS 10	3/8"	24.0	27.0	68.0	32.0	67.0	118.0	26.0	29.0	19.7	350	1900	1400	1000
		0.9	1.1	2.7	1.3	2.6	4.6	1.0	1.1	0.8	5075	27550	20300	14500
HSS 10	1/2"	27.0	27.0	68.0	32.0	67.0	118.0	29.0	29.0	19.7	350	1900	1300	1000
		1.1	1.1	2.7	1.3	2.6	4.6	1.1	1.1	0.8	5075	27550	18850	14500
HSS 12	1/2"	32.0	32.0	74.0	38.0	68.0	125.0	35.0	35.0	24.5	350	1600	1100	1000
		1.3	1.3	2.9	1.5	2.7	4.9	1.4	1.4	1.0	5075	23200	15950	14500
HSS 12	3/4"	34.0	32.0	74.0	38.0	68.0	125.0	36.5	35.0	24.5	350	1600	1100	1000
		1.3	1.3	2.9	1.5	2.7	4.9	1.4	1.4	1.0	5075	23200	15950	14500
HSS 16	3/4"	36.0	36.0	79.0	42.0	70.0	130.0	39.0	39.0	27.0	350	1400	1100	1000
		1.4	1.4	3.1	1.7	2.8	5.1	1.5	1.5	1.1	5075	20300	15950	14500
HSS 19	1"	45.0	45.0	93.0	48.0	82.0	153.0	48.0	48.0	30.0	350	1400	1100	1000
		1.8	1.8	3.7	1.9	3.2	6.0	1.9	1.9	1.2	5075	20300	15950	14500
HSS 25	1 1/4"	55.0	55.0	126.0	75.0	126.0	198.0	60.0	60.0	36.0	350	1000	1000	1000
		2.2	2.2	5.0	3.0	5.0	7.8	2.4	2.4	1.4	5075	14500	14500	14500
HSS 32	1 1/2"	65.0	65.0	126.0	80.0	126.0	198.0	70.0	70.0	57.0	250	600	600	600
		2.6	2.6	5.0	3.1	5.0	7.8	2.8	2.8	2.2	3625	8700	8700	8700
HSS 40	2"	80.0	80.0	142.0	100.0	142.0	222.0	88.5	88.5	72.9	175	450	450	450
		3.1	3.1	5.6	3.9	5.6	8.7	3.5	3.5	2.9	2538	6525	6525	6525

*Dimensions based on BSPP threads

PSI= Bar x14.5 Inches= mm/25.4



IAS SERIES

Stainless steel ISO A couplers made to the ISO 7241:2014 Series A Standard dimensions

INTRODUCTION

Holmbury's IAS Series stainless steel ISO A couplers incorporate all the benefits of the carbon steel IA Series couplers, while being perfectly suited for corrosive fluids and environments.

CONSTRUCTION

- AISI 316 stainless steel
- Fitted with Viton seals (Other seals available on request)
- Also available in carbon steel (See IA Series)

FEATURES

- Poppet valves have balanced springs
- Locking ball system allows for quick connection
- Bidirectional flow

ACCESSORIES

- Dust Caps, Plugs and Seal Kits are available for the IAS Series



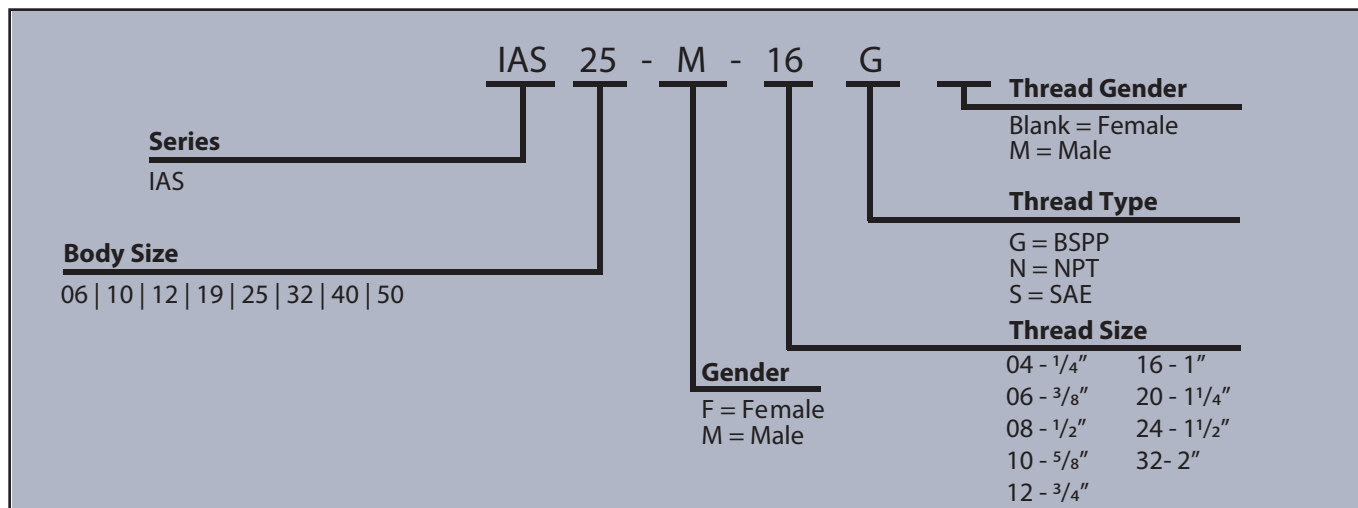
SPECIFICATIONS

- Operating temperatures (With Viton seals): -20°C (-4°F) to 200°C (392°F)

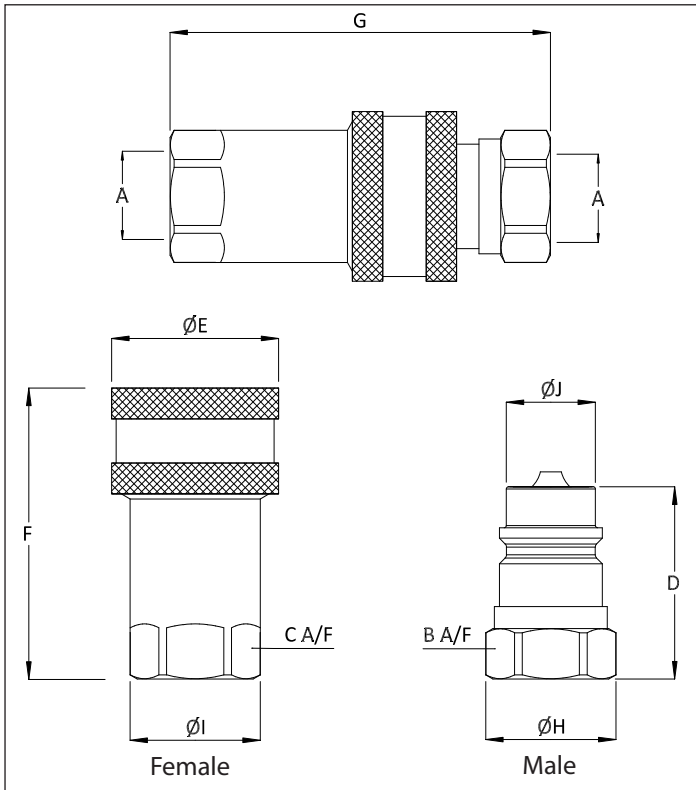
APPLICATIONS

- Corrosive fluids and environments
- Marine
- Oil and gas
- Chemical
- Pharmaceutical
- Nuclear

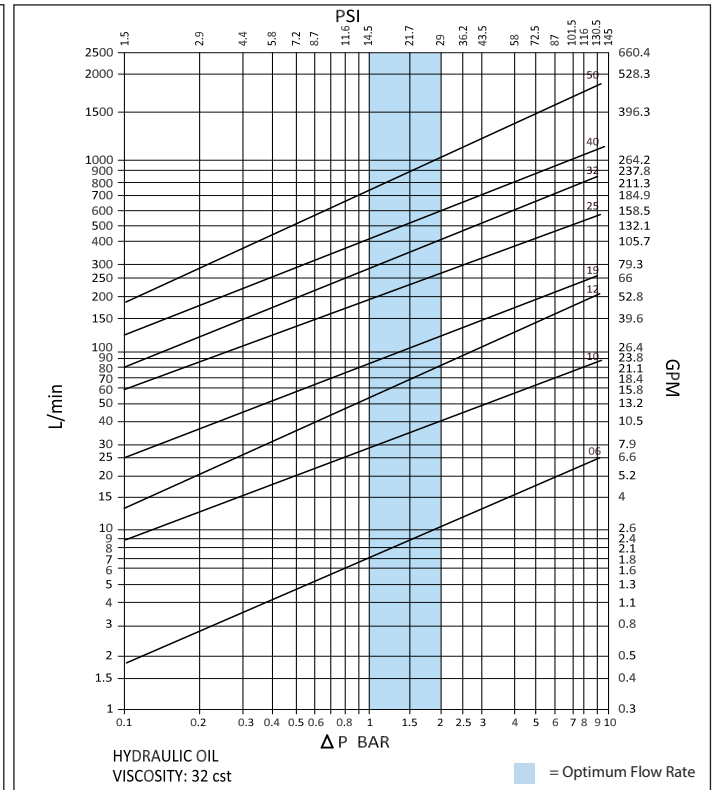
ORDER CODES



DRAWING



PRESSURE DROP CHARACTERISTICS



DIMENSIONS

Size	Thread Size (A)*	B	C	D	ØE	F	G	ØH	ØI	ØJ	Maximum Working Pressure	Burst Pressure (Coupled)	Burst Pressure (Male)	Burst Pressure (Female)	
															Dimensions in mm
												Psi			
IAS 06	1/4"	19	19	34	26	50	70	21.5	21.5	11.8	300	900	950	900	
		0.7	0.7	1.3	1.0	2.0	2.8	0.8	0.8	0.5	4350	13050	13775	13050	
IAS 10	3/8"	22	22	40	30	57	80	24.5	24.5	17.2	250	750	820	750	
		0.9	0.9	1.6	1.2	2.2	3.1	1.0	1.0	0.7	3625	10875	11890	10875	
IAS 12	1/2"	27	27	46	38	70	95	30	30	20.5	250	750	820	750	
		1.1	1.1	1.8	1.5	2.8	3.7	1.2	1.2	0.8	3625	10875	11890	10875	
IAS 19	3/4"	32	34	53.5	48	81	108	35	38	29	250	750	820	750	
		1.3	1.3	2.1	1.9	3.2	4.3	1.4	1.5	1.1	3625	10875	11890	10875	
IAS 25	1"	41	38	63	54	96	126	46	42	34.2	200	600	650	600	
		1.6	1.5	2.5	2.1	3.8	5.0	1.8	1.7	1.3	2900	8700	9425	8700	
IAS 32	1 1/4"	50	50	69	70	115	143	57	57	45	140	420	450	420	
		2.0	2.0	2.7	2.8	4.5	5.6	2.2	2.2	1.8	2030	6090	6525	6090	
IAS 40	1 1/2"	60	60	72.5	81	123	145	68	65	55	140	420	470	420	
		2.4	2.4	2.9	3.2	4.8	5.7	2.7	2.6	2.2	2030	6090	6815	6090	
IAS 50	2"	70	70	90	106	150	182	78	76	65	90	270	300	270	
		2.8	2.8	3.5	4.2	5.9	7.2	3.1	3.0	2.6	1305	3915	4350	3915	

*Dimensions based on BSSP threads

PSI= Bar x1.45 Inches= mm/25.4



IBS SERIES

Stainless steel ISO B couplers made to the ISO 7241:2014 Series B Standard dimensions

INTRODUCTION

Holmbury's IBS Series stainless steel ISO B couplers incorporate all the benefits of the carbon steel IB Series couplers, while being perfectly suited for corrosive fluids and environments.

CONSTRUCTION

- AISI 316 stainless steel
- Fitted with Viton seals (Other seals available on request)
- Also available in brass (See IBB Series)
- Also available in carbon steel (See IB Series)

FEATURES

- Poppet valves have balanced springs
- Locking ball system allows for quick connection
- Bidirectional flow

ACCESSORIES

- Dust Caps, Plugs and Seal Kits are available for the IBS Series



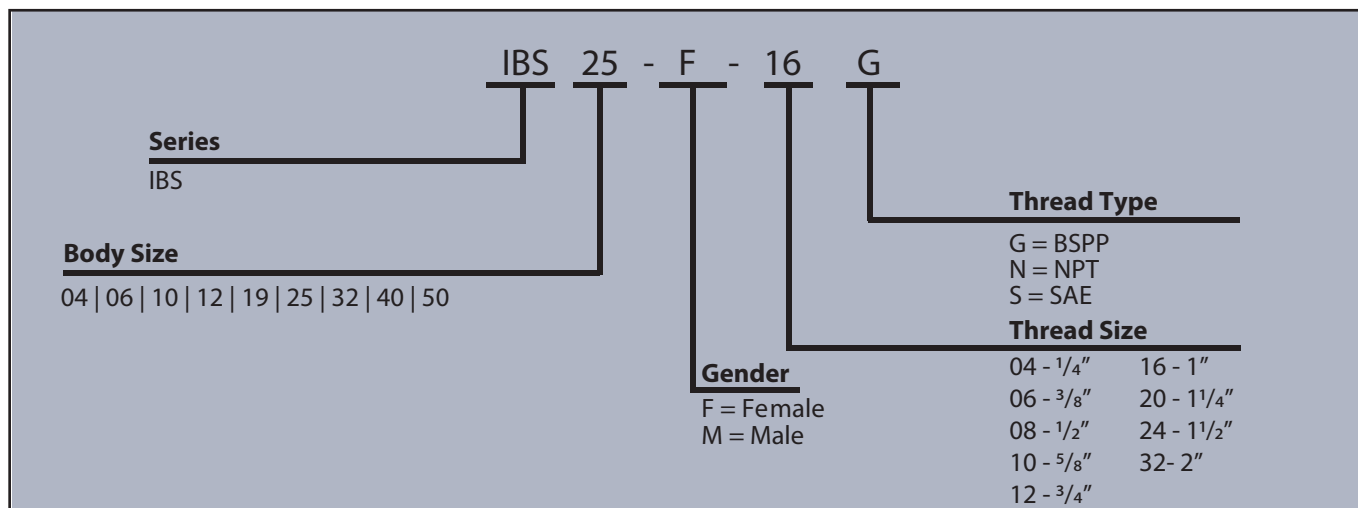
SPECIFICATIONS

- Operating temperatures (With Viton seals): -20°C (-4°F) to 200°C (392°F)

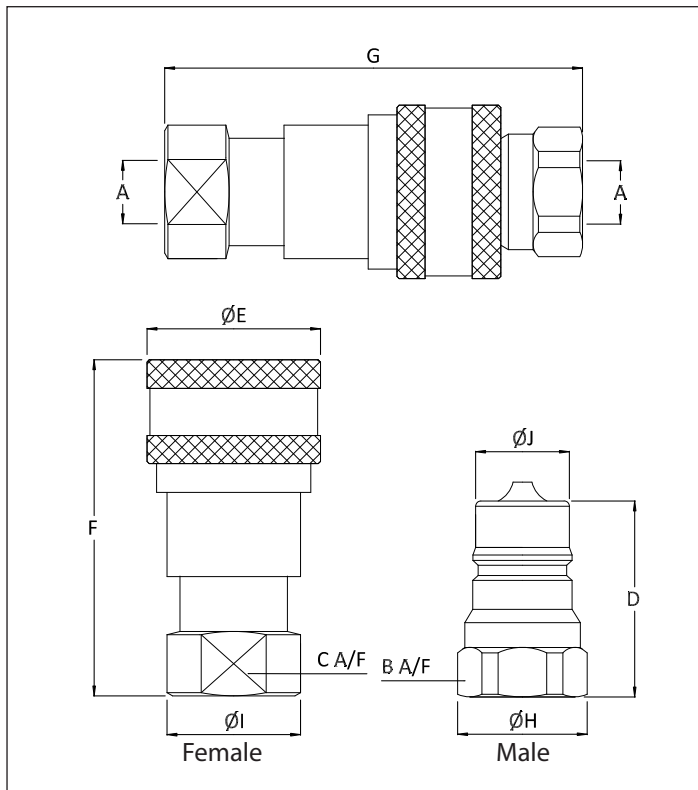
APPLICATIONS

- Corrosive fluids and environments
- Marine
- Oil and gas
- Chemical
- Pharmaceutical
- Nuclear

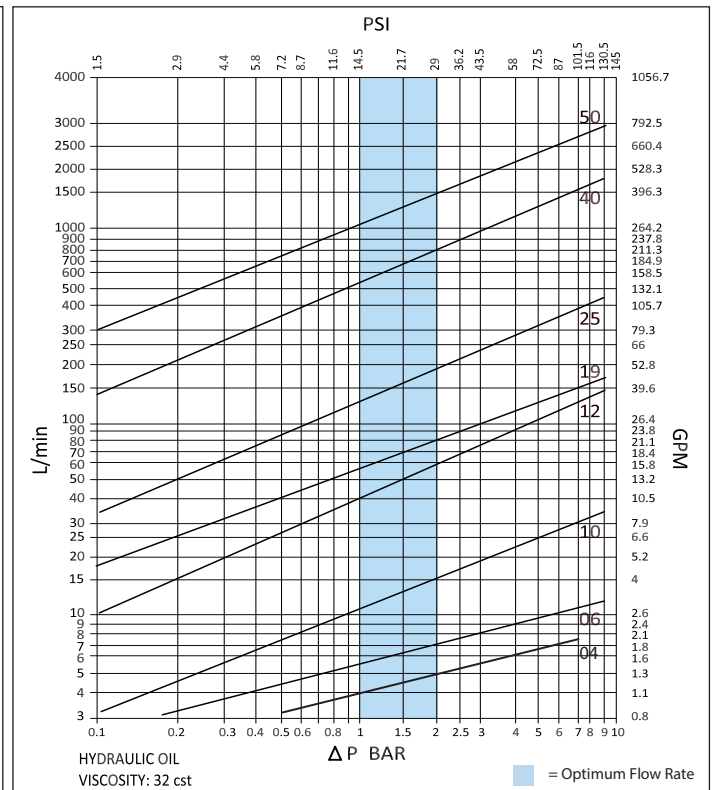
ORDER CODES



DRAWING



PRESSURE DROP CHARACTERISTICS



STAINLESS STEEL & BRASS COUPLERS

DIMENSIONS

Size	Thread Size (A)*	B	C	D	ØE	F	G	ØH	ØI	ØJ	Maximum Working Pressure	Burst Pressure (Coupled)	Burst Pressure (Male)	Burst Pressure (Female)
Dimensions in mm												Bar		
Dimensions in Inches												Psi		
IBS 04	1/8"	14.0	14.0	31.0	24.0	50.0	62.0	15.8	15.8	11.0	300	900	1000	900
		0.6	0.6	1.2	0.9	2.0	2.4	0.6	0.6	0.4	4350	13050	14500	13050
IBS 06	1/4"	19.0	19.0	36.0	28.0	57.0	72.0	21.5	21.5	14.0	300	900	950	900
		0.7	0.7	1.4	1.1	2.2	2.8	0.8	0.8	0.6	4350	13050	13775	13050
IBS 10	3/8"	22.0	24.0	39.0	35.0	64.0	78.0	24.5	27.0	19.0	250	750	850	750
		0.9	0.9	1.5	1.4	2.5	3.1	1.0	1.1	0.7	3625	10875	12325	10875
IBS 12	1/2"	27.0	30.0	45.5	42.0	73.0	91.0	30.0	33.0	23.5	250	750	800	750
		1.1	1.2	1.8	1.7	2.9	3.6	1.2	1.3	0.9	3625	10875	11600	10875
IBS 19	3/4"	34.0	36.0	53.5	51.5	87.0	107.0	38.0	41.0	31.5	250	750	800	750
		1.3	1.4	2.1	2.0	3.4	4.2	1.5	1.6	1.2	3625	10875	11600	10875
IBS 25	1"	41.0	41.0	63.0	60.0	102.0	125.0	46.0	45.0	38.0	200	600	650	600
		1.6	1.6	2.5	2.4	4.0	4.9	1.8	1.8	1.5	2900	8700	9425	8700

*Dimensions based on BSPP threads

PSI= Bar x14.5 Inches= mm/25.4



SHS SERIES

Stainless steel general purpose screw connect couplers made to the ISO 14541 Standard dimensions

INTRODUCTION

Holmbury's SHS Series stainless steel screw connect couplers are designed primarily for high pressure pulse applications. They incorporate all the benefits of the carbon steel HS Series, while being perfectly suited for corrosive fluids and environments.

CONSTRUCTION

- AISI 316 stainless steel (All components)
- Fitted with Viton seals (Other seals available on request)
- Also available in carbon steel (See HS Series)

FEATURES

- Can be connected with 50 bar residual pressure in the hydraulic circuit
- Bidirectional flow

ACCESSORIES

- Dust Caps and Plugs are available for the SHS Series



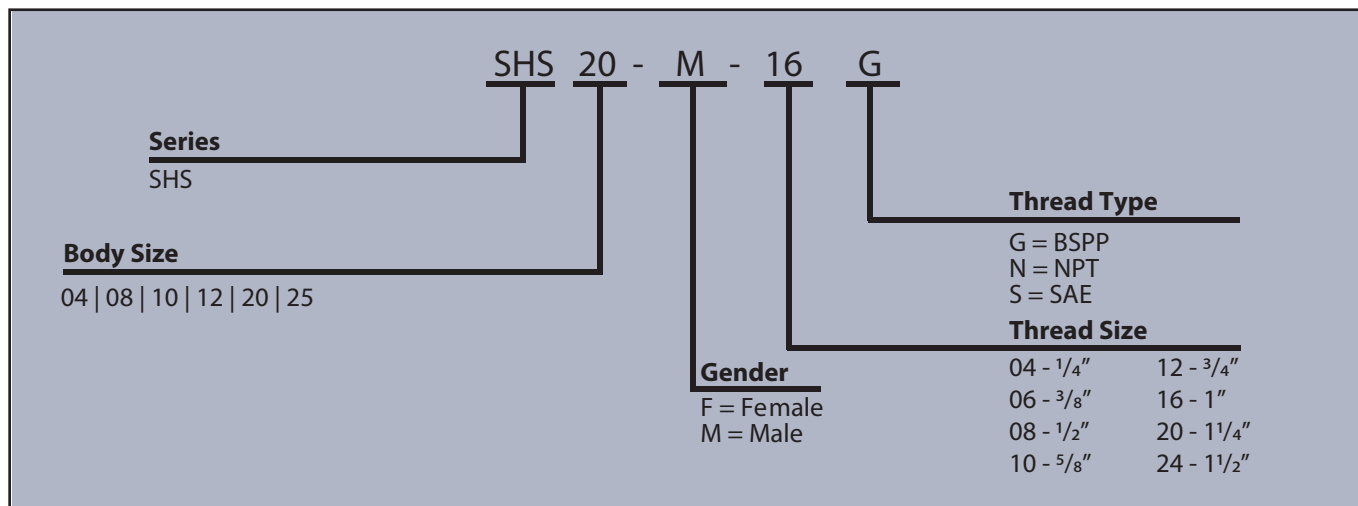
SPECIFICATIONS

- Operating temperatures (With Viton seals): -20°C (-4°F) to 200°C (392°F)

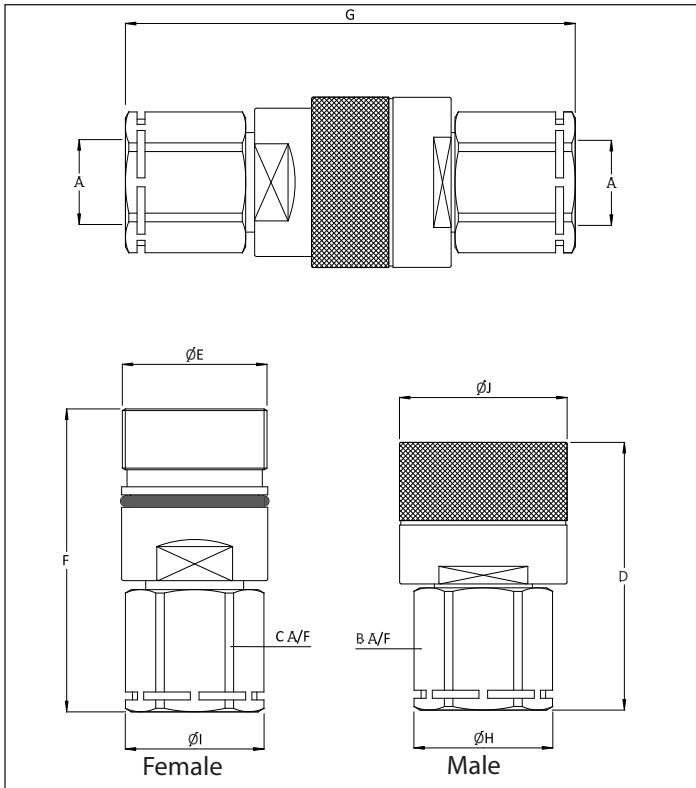
APPLICATIONS

- Hydraulic jacks
- Marine
- Oil and gas

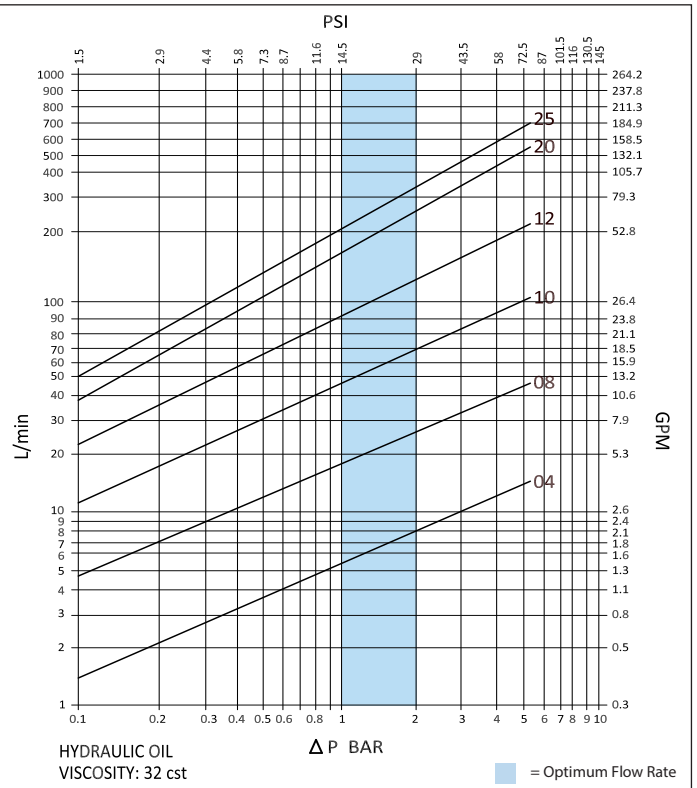
ORDER CODES



DRAWING



PRESSURE DROP CHARACTERISTICS



DIMENSIONS

Size	Thread Size (A)	B	C	D	$\varnothing E$	F	G	$\varnothing H$	$\varnothing I$	$\varnothing J$	Maximum Working Pressure	Burst Pressure (Coupled)	Burst Pressure (Male)	Burst Pressure (Female)
		Dimensions in mm									Bar			
		Dimensions in Inches									Psi			
SHS 04	1/4"	19.0	19.0	58.0	M24X2	59.0	92.0	21.3	21.3	30.0	300	900	950	900
		0.7	0.7	2.3		2.3	3.6	0.8	0.8	1.2	4350	13050	13775	13050
SHS 08	3/8"	22.0	22.0	62.0	M28X2	64.5	100.0	24.0	24.0	34.0	300	900	900	900
		0.9	0.9	2.4		2.5	3.9	0.9	0.9	1.3	4350	13050	13050	13050
SHS 10	1/2"	30.0	30.0	63.0	M36X2	67.0	102.0	34.0	34.0	42.0	250	750	800	750
		1.2	1.2	2.5		2.6	4.0	1.3	1.3	1.7	3625	10875	11600	10875
SHS 12	3/4"	36.0	36.0	75.0	M42X2	82.0	136.0	41.0	41.0	48.0	250	750	800	750
		1.4	1.4	3.0		3.2	5.4	1.6	1.6	1.9	3625	10875	11600	10875
SHS 20	1"	41.0	41.0	78.5	M48X3	95.0	138.0	47.0	47.0	55.0	200	650	700	650
		1.6	1.6	3.1		3.7	5.4	1.9	1.9	2.2	2900	9425	10150	9425
SHS 25	1 1/4"	60.0	60.0	107.0	M70X3	116.0	187.0	68.0	68.0	70.0	150	450	480	450
		2.4	2.4	4.2		4.6	7.4	2.7	2.7	2.8	2175	6525	6960	6525
SHS 25	1 1/2"	60.0	60.0	107.0	M70X3	116.0	187.0	68.0	68.0	70.0	150	450	480	450
		2.4	2.4	4.2		4.6	7.4	2.7	2.7	2.8	2175	6525	6960	6525

PSI= Bar x14.5 Inches= mm/25.4



PTS SERIES

Stainless steel high pressure heavy duty screw connect couplers

INTRODUCTION

Holmbury's PTS Series stainless steel screw connect couplers are designed for heavy duty applications involving very high pressures and severe pressure pulses. They incorporate all the benefits of the carbon steel PTC Series, while being perfectly suited for corrosive fluids and environments.

CONSTRUCTION

- AISI 316 stainless steel
- Fitted with Viton seals (Other seals available on request)
- Also available in carbon steel (See PTC Series)

FEATURES

- Can be connected with 50 bar residual pressure in the hydraulic circuit
- Bidirectional flow

ACCESSORIES

- Dust Caps and Plugs are available for the PTS Series



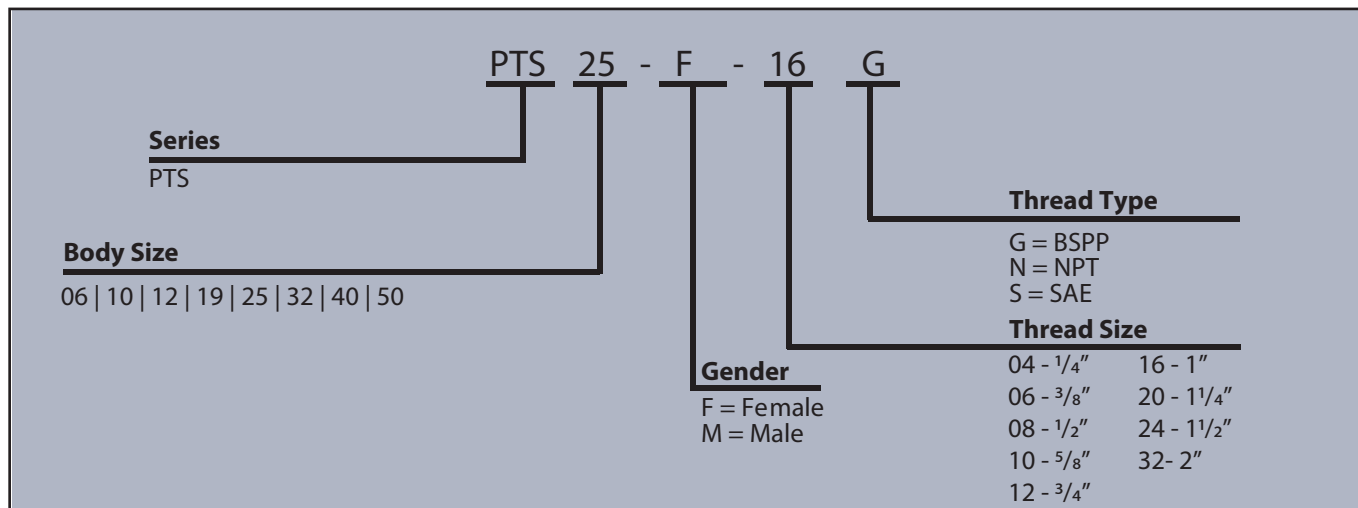
SPECIFICATIONS

- Operating temperatures (With Viton seals): -20°C (-4°F) to 200°C (392°F)

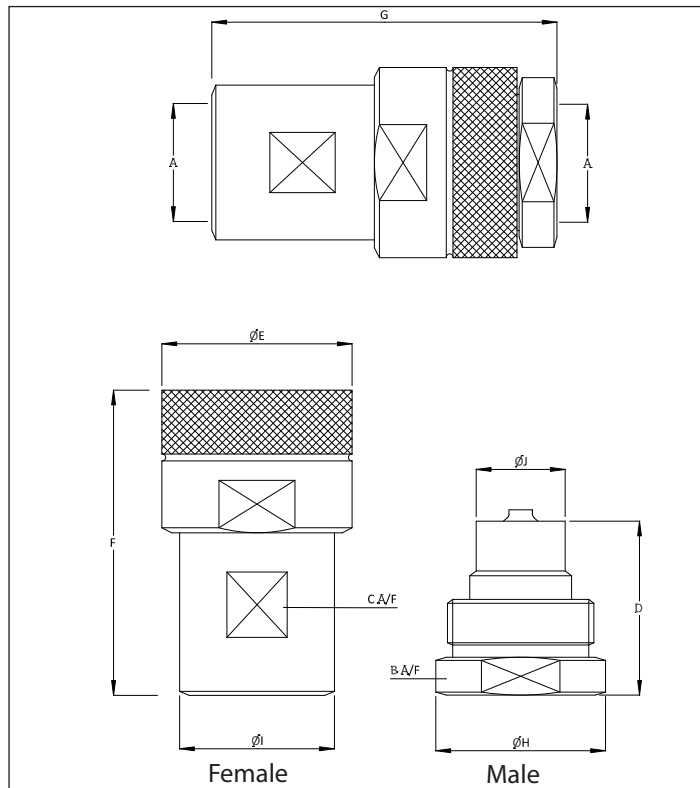
APPLICATIONS

- Hydraulic jacks
- Marine
- Oil and gas

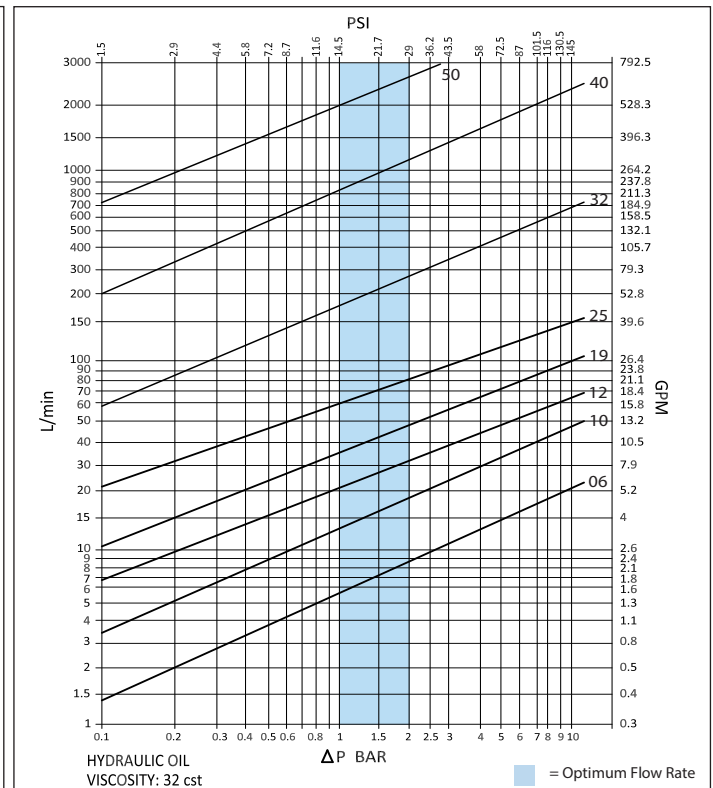
ORDER CODES



DRAWING



PRESSURE DROP CHARACTERISTICS



DIMENSIONS

Size	Thread Size (A)*	B	C	D	ØE	F	G	ØH	ØI	ØJ	Maximum Working Pressure	Burst Pressure (Coupled)	Burst Pressure (Male)	Burst Pressure (Female)
		Dimensions in mm									Bar			
		Dimensions in Inches									Psi			
PTS 06	1/4"	25.0	27.0	43.0	30.0	61.5	84.5	27.0	25.0	14.0	700	3700	3700	3800
		1.0	1.1	1.7	1.2	2.4	3.3	1.1	1.0	0.6	10150	53650	53650	55100
PTS 10	3/8"	32.0	36.0	48.5	39.0	69.0	89.5	35.0	32.0	19.0	650	2600	2300	2000
		1.3	1.4	1.9	1.5	2.7	3.5	1.4	1.3	0.7	9425	37700	33350	29000
PTS 12	1/2"	34.0	41.0	53.0	44.0	79.0	103.0	38.0	38.0	20.5	600	2500	2100	2700
		1.3	1.6	2.1	1.7	3.1	4.1	1.5	1.5	0.8	8700	36250	30450	39150
PTS 19	3/4"	46.0	50.0	63.0	54.0	97.5	121.5	48.5	44.0	28.0	500	2400	2100	1700
		1.8	2.0	2.5	2.1	3.8	4.8	1.9	1.7	1.1	7250	34800	30450	24650
PTS 25	1"	50.0	54.5	72.5	59.0	112.5	139.0	54.0	54.0	31.5	460	1500	1600	1900
		2.0	2.1	2.9	2.3	4.4	5.5	2.1	2.1	1.2	6670	21750	23200	27550
PTS 32	1 1/4"	65.0	74.5	86.0	80.0	139.5	167.0	70.0	69.5	44.0	380	1000	1000	1000
		2.6	2.9	3.4	3.1	5.5	6.6	2.8	2.7	1.7	5510	14500	14500	14500
PTS 40	1 1/2"	80.0	90.0	95.0	98.0	172.0	188.0	83.0	78.5	53.5	365	1000	900	950
		3.1	3.5	3.7	3.9	6.8	7.4	3.3	3.1	2.1	5292.5	14500	13050	13775
PTS 50	2"	110.0	123.0	118.5	127.5	160.0	228.0	115.5	105.0	82.0	300	900	900	900
		4.3	4.8	4.7	5.0	6.3	9.0	4.5	4.1	3.2	4350	13050	13050	13050

*Dimensions based on BSPP threads

PSI= Bar x14.5 Inches= mm/25.4



PWS SERIES

Stainless steel pressure washer couplers

INTRODUCTION

Holmbury's PWS Series stainless steel, pressure washer couplers are able to accommodate high flow rates and minimal pressure drops. The couplers are valveless, hence when disconnected any fluid in the system can escape. This makes these couplers suitable for the transmission of non-hazardous fluids only.

CONSTRUCTION

- AISI 316 stainless steel
- Fitted with Viton seals
- Also available in carbon steel (See PWC Series)

FEATURES

- Valveless design allows for high flow rates and minimal pressure drop characteristics
- Female half has double 'O' ring sealing arrangement
- Bidirectional flow

ACCESSORIES

- Seal Kits are available for the PWS Series



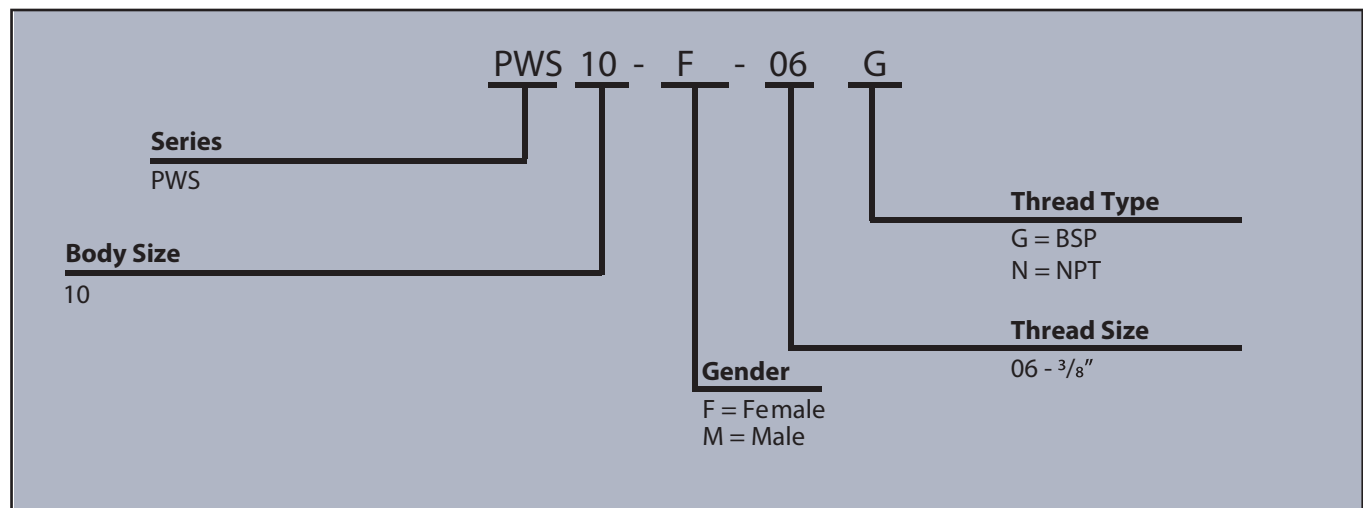
SPECIFICATIONS

- Operating temperatures (With Viton seals): -20°C (-4°F) to 200°C (392°F)

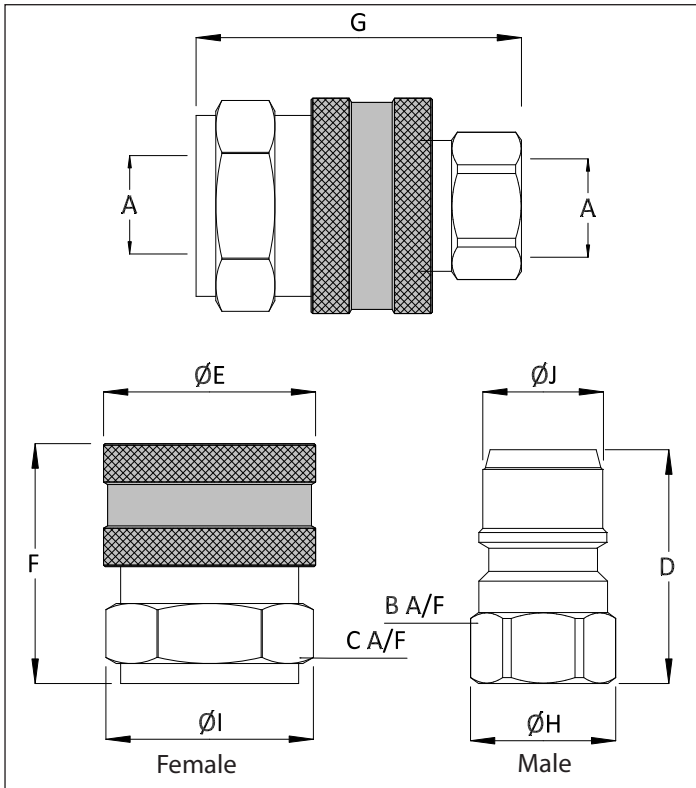
APPLICATIONS

- Designed for use in pressure washer systems and systems containing non-hazardous fluids

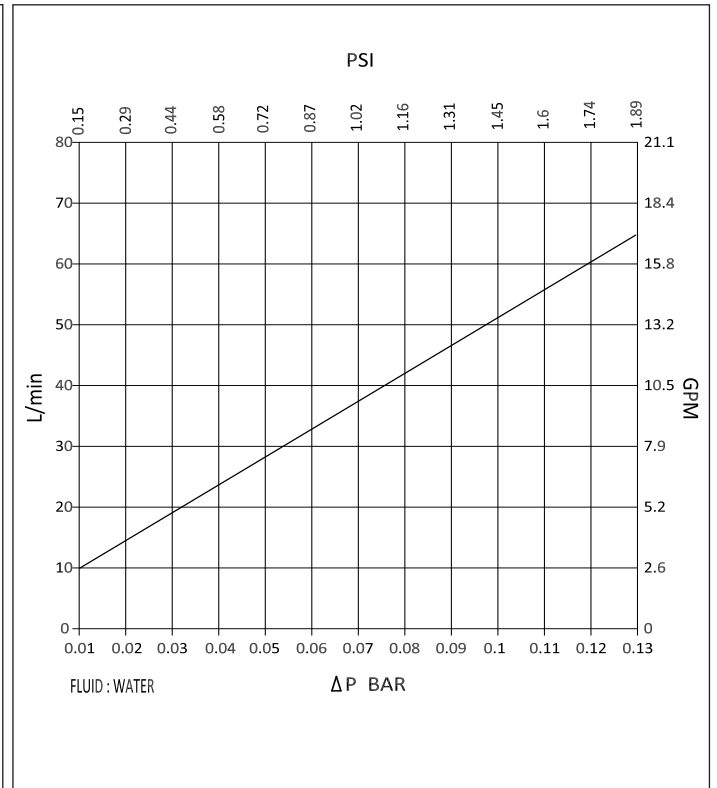
ORDER CODES



DRAWING



PRESSURE DROP CHARACTERISTICS



STAINLESS STEEL & BRASS COUPLERS

DIMENSIONS

Size	Thread Size (A)	B	C	D	ØE	F	G	ØH	ØI	ØJ	Maximum Working Pressure	Burst Pressure (Coupled)
		Dimensions in mm									Bar	
		Dimensions in Inches									Psi	
PWS 10	3/8"	22.0	30.0	38.0	35.0	39.0	53.5	24.0	34.5	20.0	350	1300
		0.9	1.2	1.5	1.4	1.5	2.1	0.9	1.4	0.8	5075	18850

PSI= Bar x14.5 Inches= mm/25.4



SR90 SERIES

Stainless steel 90 degree rotary couplers

INTRODUCTION

Holmbury's SR90 Series stainless steel 90 degree rotary couplers are designed for use on hydraulics lines that may be subject to torsional stress to allow rotation of hydraulic pipes and hoses. Using a rotary coupler in the hydraulic line stops the hose twisting, limiting stress and increasing hose lifespan.

CONSTRUCTION

- AISI 316 stainless steel
- Fitted with Viton seals
- Also available in carbon steel (See GG90 Series)

FEATURES

- Reduces torsional forces
- Can also be used in applications that are required to rotate but not under pressure, such as hose reels
- Spindle is carried on a roller bearing and has a low friction shaft seal that can rotate at maximum pressure with low torque
- For rotational torque graph please see GG90 Series



SPECIFICATIONS

- Operating temperatures (With Viton seals): -20°C (-4°F) to 200°C (392°F)

APPLICATIONS

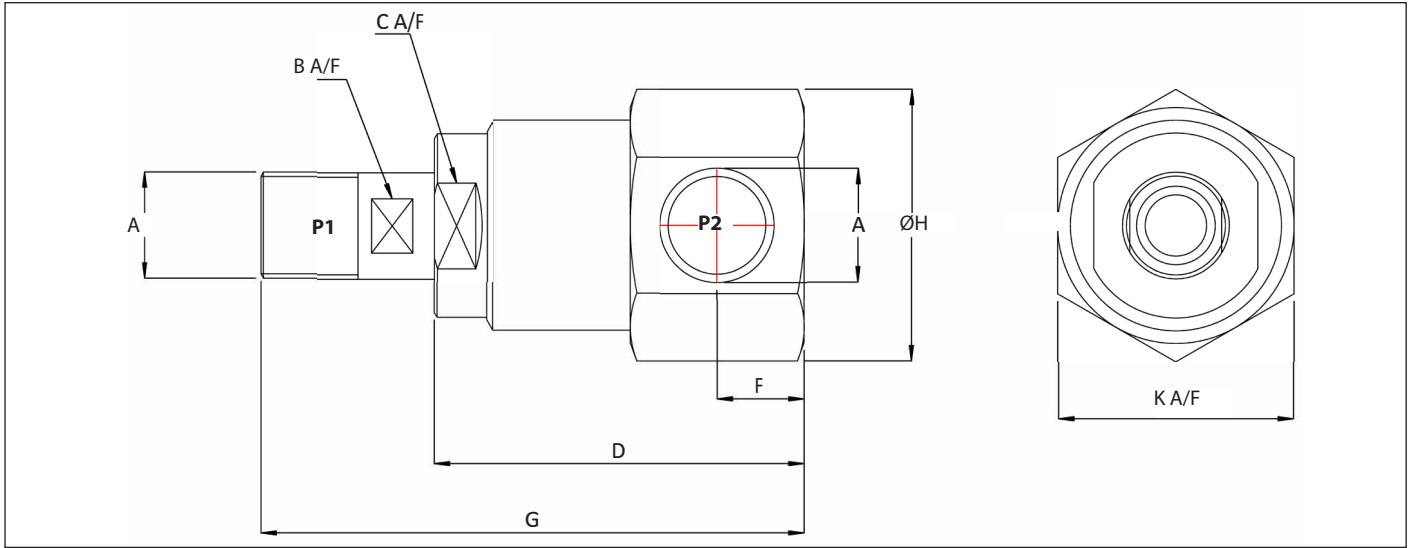
- Designed for usage in general hydraulic systems, machine tools, test equipment, agricultural, and mobile hydraulics

ORDER CODES

		SR90 - 19 - 12		G	M - 12		G		
Series		SR90			Thread Type (Female Only)				
					G = BSPP				
					N = NPT				
					S = SAE				
Body Size					Thread Type (Male Only)		Thread Size (P2)		
06 - 1/4"	25 - 1"						04 - 1/4"	16 - 1"	
10 - 3/8"	32 - 1 1/4"						06 - 3/8"	20 - 1 1/4"	
12 - 1/2"	40 - 1 1/2"						08 - 1/2"	24 - 1 1/2"	
19 - 3/4"	50 - 2"						12 - 3/4"	32 - 2"	
		Thread Size (P1)		Thread Type					
		04 - 1/4"	16 - 1"	G = BSPP	S = SAE				
		06 - 3/8"	20 - 1 1/4"	N = NPT	J = JIC				
		08 - 1/2"	24 - 1 1/2"						
		12 - 3/4"	32 - 2"						



DRAWING



DIMENSIONS

Size	Thread Size (A)	B	C	K	D	F	G	ØH	Maximum Working Pressure	Maximum Flow Rate	Maximum Rotational Speed*
		Dimensions in mm							Bar		
		Dimensions in Inches							Psi		
SR90-06	1/4"	11.0	21.0	32.0	52.0	12.5	78.0	35.0	350	25	500
		0.4	0.8	1.3	2.0	0.5	3.1	1.4	5075		
SR90-10	3/8"	14.0	27.0	36.0	68.0	15.0	98.0	42.0	300	45	400
		0.6	1.1	1.4	2.7	0.6	3.9	1.7	4350		
SR90-12	1/2"	18.0	32.0	46.0	72.0	16.0	106.0	48.0	300	80	370
		0.7	1.3	1.8	2.8	0.6	4.2	1.9	4350		
SR90-19	3/4"	24.0	37.0	50.0	80.5	19.0	118.0	57.0	250	120	280
		0.9	1.5	2.0	3.2	0.7	4.6	2.2	3625		
SR90-25	1"	30.0	46.0	60.0	99.0	22.5	142.0	68.0	250	150	230
		1.2	1.8	2.4	3.9	0.9	5.6	2.7	3625		
SR90-32	1 1/4"	38.0	55.0	60.0	111.0	29.5	155.0	---	200	200	200
		1.5	2.2	2.4	4.4	1.2	6.1	---	2900		
SR90-40	1 1/2"	41.0	70.0	75.0	121.0	37.0	170.0	---	150	250	170
		1.6	2.8	3.0	4.8	1.5	6.7	---	2175		
SR90-50	2"	55.0	80.0	90.0	142.0	44.5	190.0	---	150	300	140
		2.2	3.1	3.5	5.6	1.8	7.5	---	2175		

*Note: The maximum rotational speed quoted is for zero pressure and hydraulic oils

PSI= Bar x14.5 Inches= mm/25.4

SRIL SERIES

Stainless steel in-line rotary couplers

INTRODUCTION

Holmbury's SRIL Series stainless steel in-line rotary couplers are designed for in-line use on hydraulic circuits. Using a rotary coupler in the hydraulic line stops the hose twisting, limiting stress and increasing hose lifespan.

CONSTRUCTION

- AISI 316 stainless steel
- Fitted with Viton seals
- Also available in carbon steel (See GGIL Series)

FEATURES

- Reduces torsional forces
- Can also be used in applications that are required to rotate but not under pressure, such as hose reels
- Spindle is carried on a roller bearing and has a low friction shaft seal that can rotate at maximum pressure with low torque
- For rotational torque graph please see GGIL Series



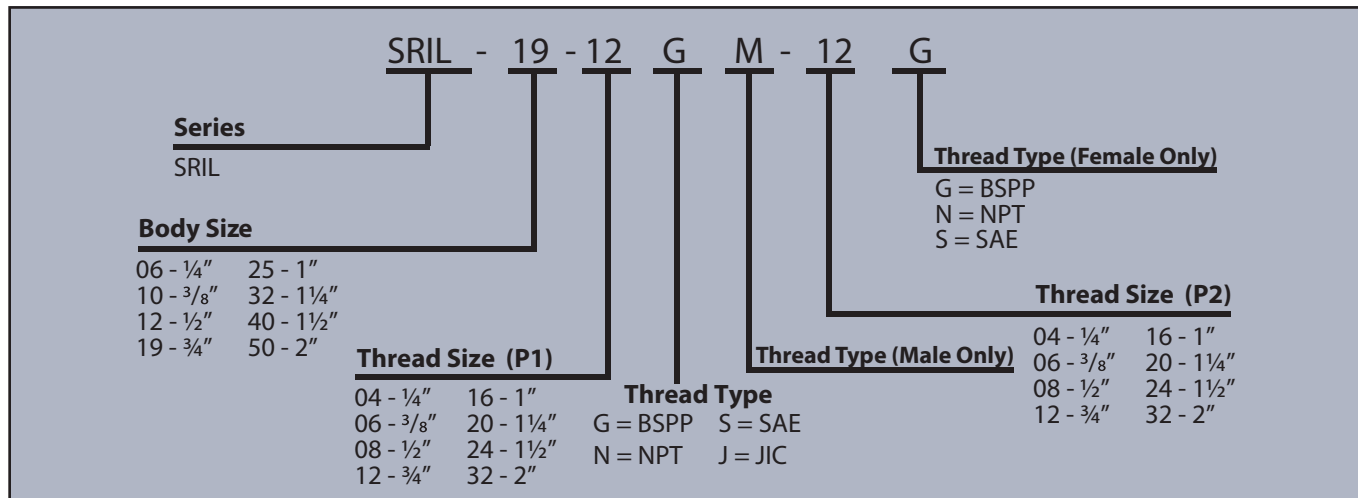
SPECIFICATIONS

- Operating temperatures (With Viton seals): -20°C (-4°F) to 200°C (392°F)

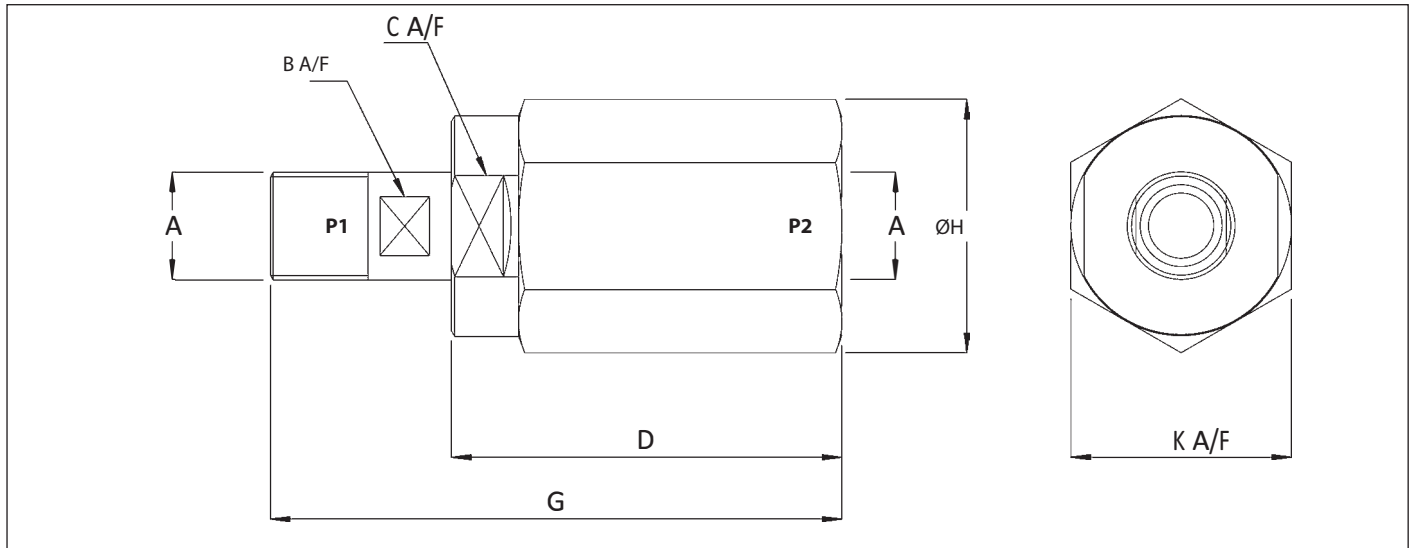
APPLICATIONS

- Designed for usage in general hydraulic systems, machine tools, test equipment, agricultural, and mobile hydraulics

ORDER CODES



DRAWING



DIMENSIONS

Size	Thread Size (A)	B	C	K	D	G	ØH	Maximum Working Pressure	Maximum Flow Rate	Maximum Rotational Speed*
		Dimensions in mm						Bar		
		Dimensions in Inches						Psi	L/Min	RPM
SRIL-06	1/4"	11.0	24.0	27.0	50.0	75.0	29.0	350	25	500
		0.4	0.9	1.1	2.0	3.0	1.1	5075		
SRIL-10	3/8"	14.0	30.0	34.0	60.0	88.0	38.0	300	45	400
		0.6	1.2	1.3	2.4	3.5	1.5	4350		
SRIL-12	1/2"	18.0	32.0	36.0	67.0	101.0	39.0	300	80	370
		0.7	1.3	1.4	2.6	4.0	1.5	4350		
SRIL-19	3/4"	24.0	40.0	45.0	71.5	110.0	48.0	250	120	280
		0.9	1.6	1.8	2.8	4.3	1.9	3625		
SRIL-25	1"	30.0	50.0	55.0	84.0	124.0	60.0	250	150	230
		1.2	2.0	2.2	3.3	4.9	2.4	3625		
SRIL-32	1 1/4"	38.0	55.0	60.0	84.6	129.0	68.0	200	200	200
		1.5	2.2	2.4	3.3	5.1	2.7	2900		
SRIL-40	1 1/2"	41.0	68.0	75.0	87.0	138.0	90.0	150	250	170
		1.6	2.7	3.0	3.4	5.4	3.5	2175		
SRIL-50	2"	55.0	80.0	85.0	100.0	149.0	100.0	150	300	140
		2.2	3.1	3.3	3.9	5.9	3.9	2175		

*Note: The maximum rotational speed quoted is for zero pressure and hydraulic oils

PSI= Bar x14.5 Inches= mm/25.4

WSC SERIES

Brass wing style screw connect couplers with steel nut

INTRODUCTION

Holmbury's WSC Series brass screw connect couplers are designed to allow connection and disconnection by hand. The brass construction makes them the idea choice for water based applications.

CONSTRUCTION

- Brass body
- Wing nut carbon steel with trivalent plating
- Fitted with Nitrile seals

FEATURES

- Can be connected with 50 bar residual pressure in the hydraulic circuit
- Bidirectional flow

ACCESSORIES

- Dust Caps, Plugs and Mounting Flanges are available for the WSC Series



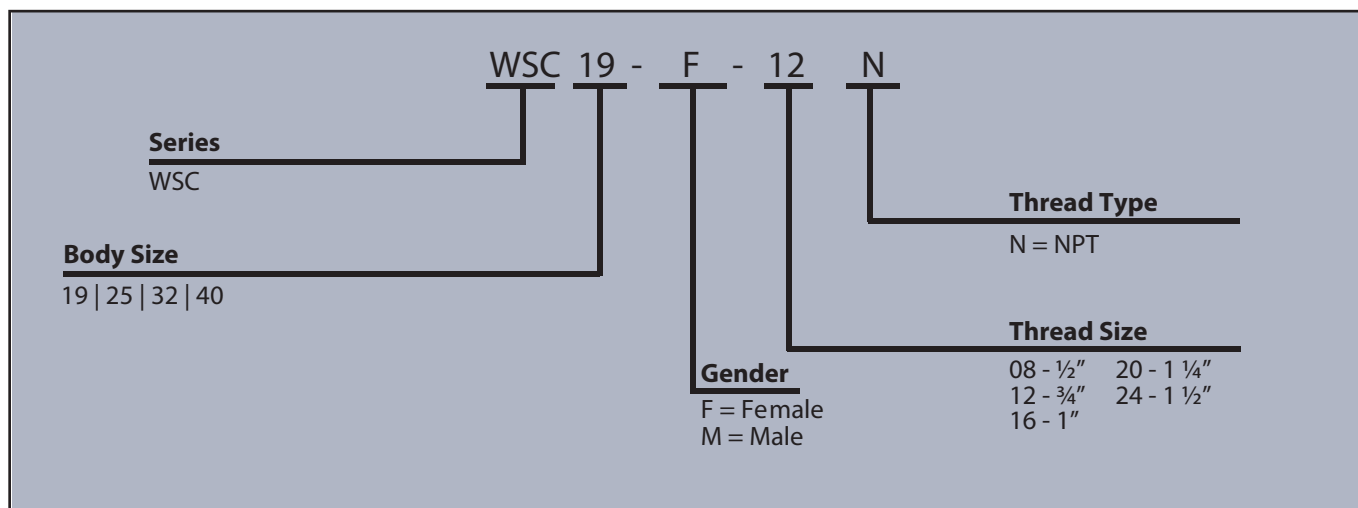
SPECIFICATIONS

- Operating temperatures (With Nitrile seals): -40°C (-40°F) to 106°C (223°F)

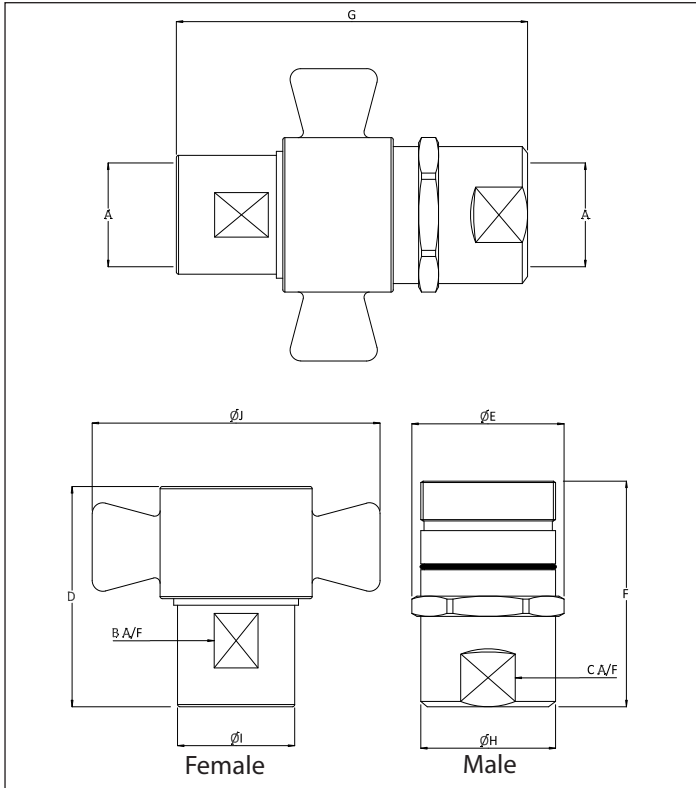
APPLICATIONS

- Trailers
- Wet line kits
- Oil and gas

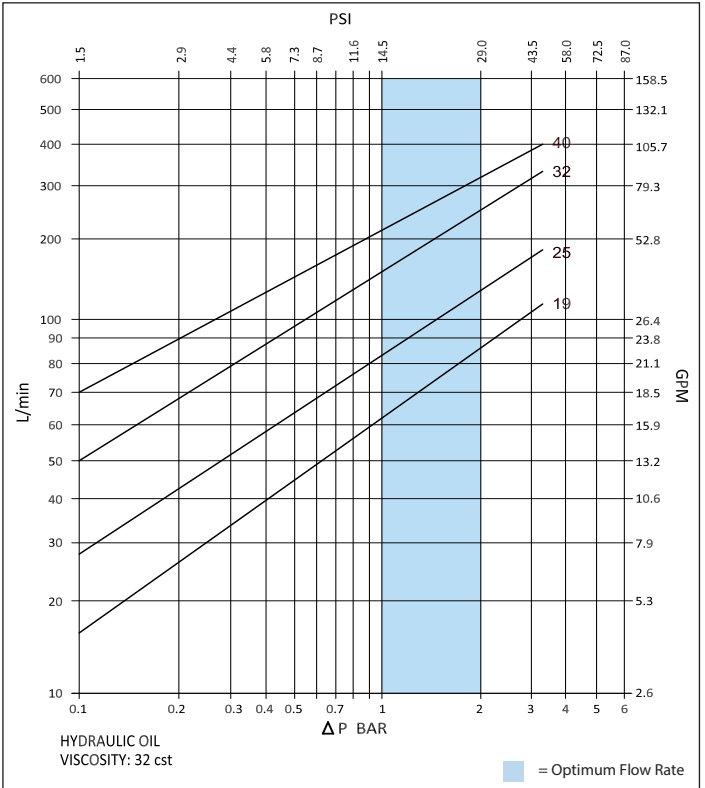
ORDER CODES



DRAWING



PRESSURE DROP CHARACTERISTICS



STAINLESS STEEL & BRASS COUPLERS

DIMENSIONS

Size	Thread Size (A)	B	C	D	ØE	F	G	ØH	ØI	ØJ	Maximum Working Pressure	Burst Pressure (Coupled)	Burst Pressure (Male)	Burst Pressure (Female)
		Dimensions in mm									Bar			
		Dimensions in Inches									Psi			
WSC 19	1/2" 3/4"	29.0	33.3	80.3	44.0	79.1	133.5	37.5	31.7	103.9	210	650	650	600
		1.1	1.3	3.2	1.7	3.1	5.3	1.5	1.2	4.1	3045	9425	9425	8700
WSC 25	1"	36.3	39.6	95.3	51.7	89.5	154.3	44.2	39.8	110.6	210	650	650	600
		1.4	1.6	3.8	2.0	3.5	6.1	1.7	1.6	4.4	3045	9425	9425	8700
WSC 32	1 1/4"	45.0	47.6	99.0	60.2	93.5	163.6	53.0	48.0	134.0	190	650	650	600
		1.8	1.9	3.9	2.4	3.7	6.4	2.1	1.9	5.3	2755	9425	9425	8700
WSC 40	1 1/2"	51.0	57.0	101.4	71.6	104.4	178.0	62.7	55.0	134.8	175	525	525	475
		2.0	2.2	4.0	2.8	4.1	7.0	2.5	2.2	5.3	2538	7613	7613	6888

PSI= Bar x14.5 Inches= mm/25.4



IBB SERIES

Brass ISO B couplers made to the ISO 7241:2014 Series B Standard dimensions

INTRODUCTION

Holmbury's IBB Series brass ISO B couplers incorporate all the benefits of the carbon steel IB Series couplers while providing good corrosion resistance for specific applications.

CONSTRUCTION

- Brass body
- AISI 316 spring and AISI 302 locking ball
- Fitted with Viton seals
- Also available in carbon steel (See IB Series)
- Also available in AISI 316 stainless steel (See IBS Series)

FEATURES

- Poppet valves have balanced springs
- Locking ball system allows quick connection
- Bidirectional flow

ACCESSORIES

- Dust Caps, Plugs and Seal Kits are available for the IBB Series



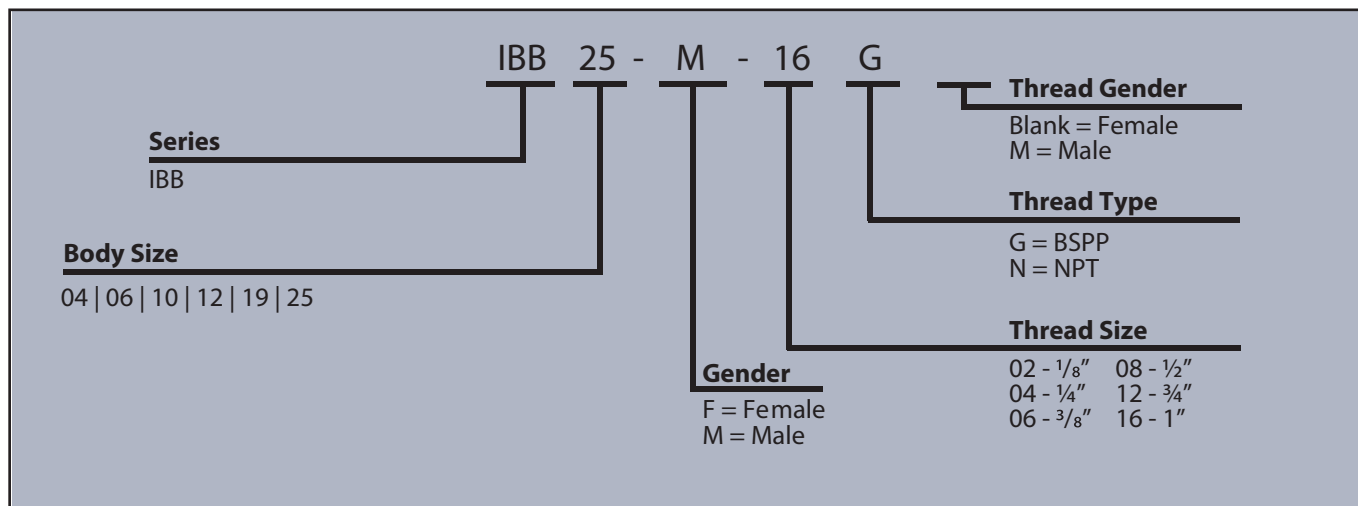
SPECIFICATIONS

- Operating temperatures (With Viton seals): -20°C (-4°F) to 200°C (392°F)

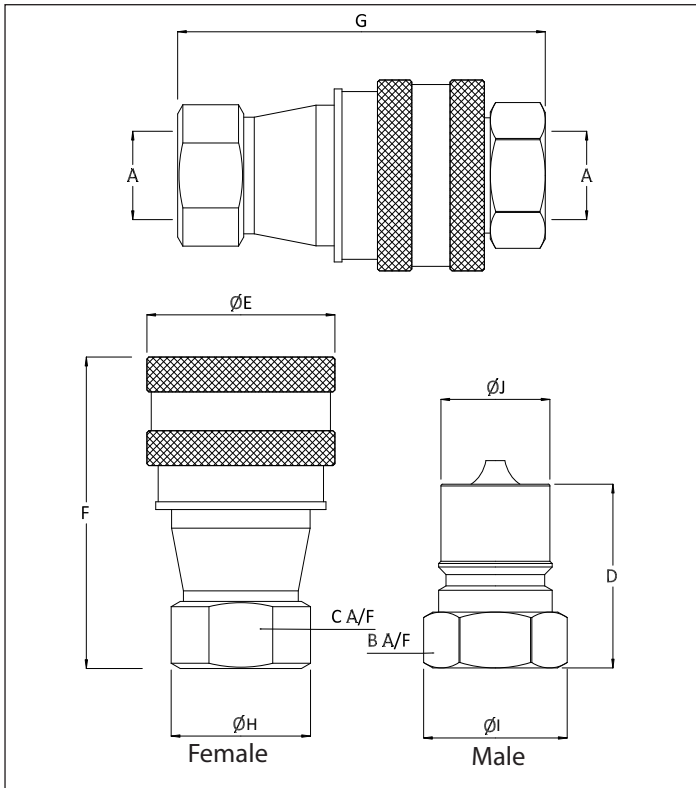
APPLICATIONS

- Cooling systems
- Marine
- Oil and gas
- Chemical
- Pharmaceutical

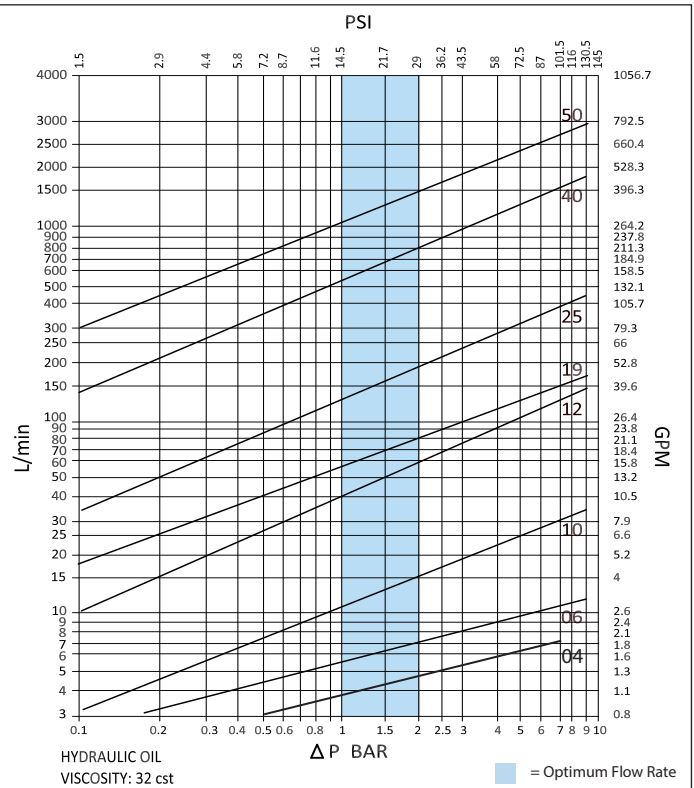
ORDER CODES



DRAWING



PRESSURE DROP CHARACTERISTICS



DIMENSIONS

Size	Thread Size (A)*	B	C	D	ØE	F	G	ØH	ØI	ØJ	Maximum Working Pressure	Burst Pressure (Coupled)	Burst Pressure (Male)	Burst Pressure (Female)
		Dimensions in mm									Bar			
		Dimensions in Inches									PSI			
IBB 04	1/8"	14.0	14.0	29.0	24.0	48.0	58.4	16.0	18.0	11.0	210	735	685	735
		0.6	0.6	1.1	0.9	1.9	2.3	0.6	0.7	0.4	3045	10657.5	9932.5	10657.5
IBB 06	1/4"	17.0	19.0	36.0	27.1	58.1	72.4	19.3	22.0	14.0	210	735	685	735
		0.7	0.7	1.4	1.1	2.3	2.9	0.8	0.9	0.6	3045	10657.5	9932.5	10657.5
IBB 10	3/8"	22.0	22.0	40.0	35.0	64.8	80.4	25.0	25.0	19.0	180	630	580	630
		0.9	0.9	1.6	1.4	2.6	3.2	1.0	1.0	0.7	2610	9135	8410	9135
IBB 12	1/2"	27.0	27.0	46.6	45.0	73.0	92.0	31.5	35.0	23.5	180	630	580	630
		1.1	1.1	1.8	1.8	2.9	3.6	1.2	1.4	0.9	2610	9135	8410	9135
IBB 19	3/4"	36.0	36.0	52.0	54.1	88.4	105.5	41.3	40.0	31.5	140	490	440	490
		1.4	1.4	2.0	2.1	3.5	4.2	1.6	1.6	1.2	2030	7105	6380	7105
IBB 25	1"	41.0	41.0	62.0	64.5	102.0	125.0	47.0	48.0	38.0	140	490	440	490
		1.6	1.6	2.4	2.5	4.0	4.9	1.9	1.9	1.5	2030	7105	6380	7105

*Dimensions based on BSPP threads

PSI= Bar x14.5 Inches= mm/25.4



BVC 2 SERIES

Two way high pressure ball valves

INTRODUCTION

Holmbury's BVC 2 Series two way high pressure ball valves are designed to suit a wide range of applications. These valves should not be used as flow control valves and should therefore always be fully open or closed.

CONSTRUCTION

- Carbon steel with trivalent plating
- Fitted with Nitrile seals
- Also available in AISI 316 stainless steel (See BVS 2 Series)
- Metric and flanged available on request

FEATURES

- Floating ball design maximizes sealing
- Full bore valves provide unrestricted flow path for negligible pressure drop
- Open to close in 1/4 turn
- Cranked handle allows clearance for easy operation

ACCESSORIES

- Valve Locking Kits and Valve Handles are available for the BVC 2 Series



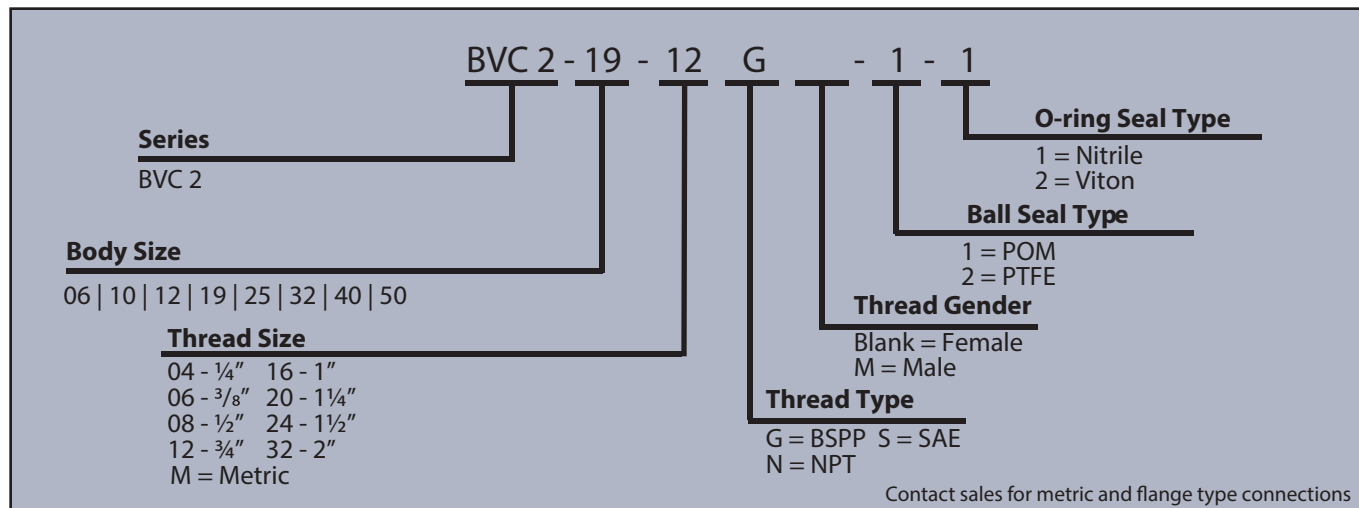
SPECIFICATIONS

- Operating temperatures (With Nitrile seals): -40°C (-40°F) to 106°C (223°F)

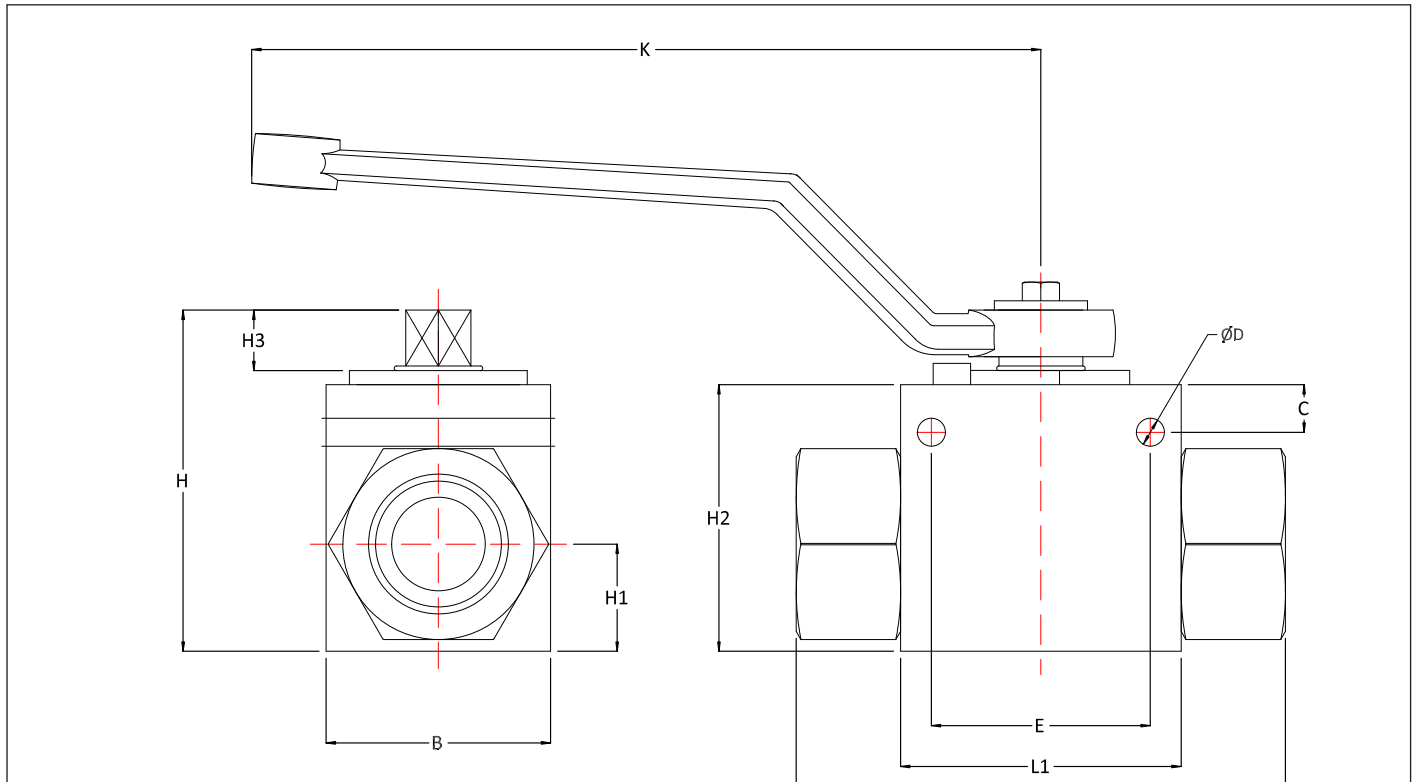
APPLICATIONS

- Designed for usage in general hydraulic systems, machine tools, test equipment, agricultural, and mobile hydraulics

ORDER CODES



DRAWING



DIMENSIONS

Size	Thread Size (A)*	B	C	ØD	E	G	H	H1	H2	H3	L	L1	Maximum Working Pressure	Burst Pressure
													Bar	Psi
Dimensions in mm													Bar	
Dimensions in Inches													Psi	
BVC2 06	1/4"	28.2	5	4.5	26.2	107	44.3	12.7	32.3	8.5	69	36.8	500	2000
		1.1	0.2	0.2	1.0	4.2	1.7	0.5	1.3	0.3	2.7	1.4	7250	29000
BVC2 10	3/8"	32.2	5	6.7	32.5	107	52	17	40.2	8.5	72	42.2	500	2000
		1.3	0.2	0.3	1.3	4.2	2.0	0.7	1.6	0.3	2.8	1.7	7250	29000
BVC2 12	1/2"	35.2	5.2	6.4	37.7	107	52	18	40.2	8.5	83.3	48	500	2000
		1.4	0.2	0.3	1.5	4.2	2.0	0.7	1.6	0.3	3.3	1.9	7250	29000
BVC2 19	3/4"	48.2	6.8	7	45	170	74.7	25	57.1	14	95	60	500	2000
		1.9	0.3	0.3	1.8	6.7	2.9	1.0	2.2	0.6	3.7	2.4	7250	29000
BVC2 25	1"	57.1	6	6.8	54.5	170	81.8	29	64.8	14	112.8	65	500	2000
		2.2	0.2	0.3	2.1	6.7	3.2	1.1	2.6	0.6	4.4	2.6	7250	29000
BVC2 32	1 1/4"	75.2	9.2	10.7	67.5	234	103.6	37.7	84	16	110	84	350	1400
		3.0	0.4	0.4	2.7	9.2	4.1	1.5	3.3	0.6	4.3	3.3	5075	20300
BVC2 40	1 1/2"	85.2	9.2	10.7	72.3	234	115.2	42.5	95.3	16	129.7	91	350	1400
		3.4	0.4	0.4	2.8	9.2	4.5	1.7	3.8	0.6	5.1	3.6	5075	20300
BVC2 50	2"	105	9.2	10.7	80	234	132.7	52.5	112.5	16	140.3	100	350	1400
		4.1	0.4	0.4	3.1	9.2	5.2	2.1	4.4	0.6	5.5	3.9	5075	20300

*Dimensions based on BSPP threads

PSI= Bar x14.5 Inches= mm/25.4



BVC 3 SERIES

Three way high pressure ball valves

INTRODUCTION

Holmbury's BVC 3 Series three way high pressure ball valves are designed to suit a wide range of applications. These valves should not be used as flow control valves and should therefore always be fully open or closed.

CONSTRUCTION

- Carbon steel with trivalent plating
- Fitted with Nitrile seals
- Also available in AISI 316 stainless steel (See BVS 3 Series)
- Metric and flanged available on request

FEATURES

- Available in 'L' or 'T' port configurations
- One piece body design provides additional strength
- Full bore valves provide unrestricted flow path for negligible pressure drop
- 90 degree operation
- Cranked handle allows clearance for easy operation

ACCESSORIES

- Valve Locking Kits and Valve Handles are available for the BVC 3 Series

ORDER CODES

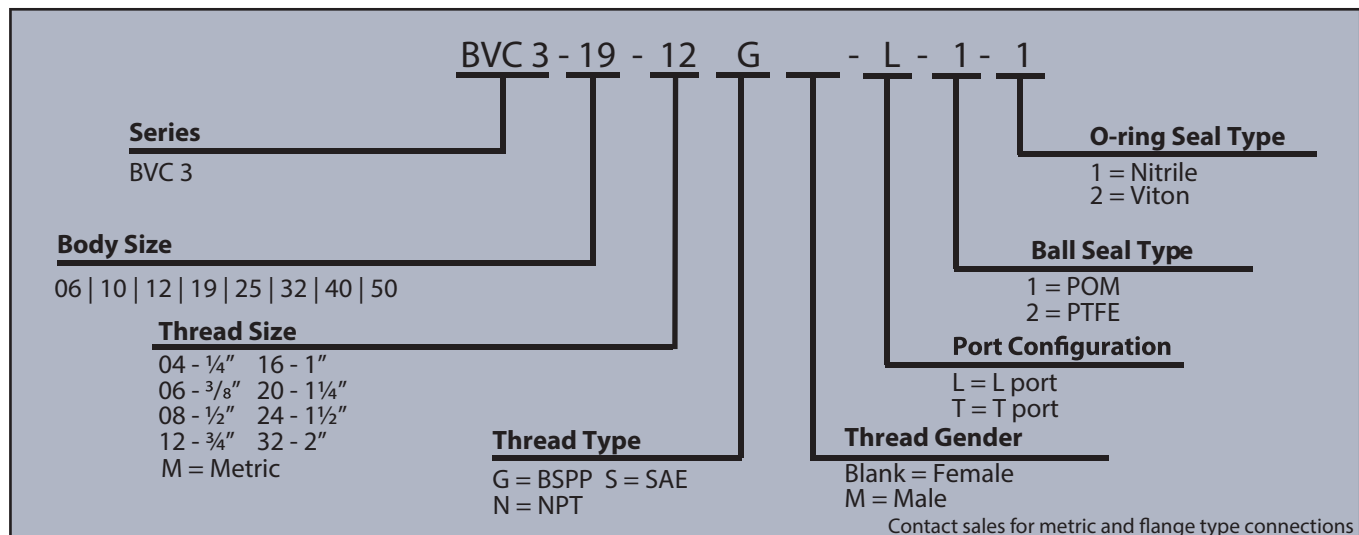


SPECIFICATIONS

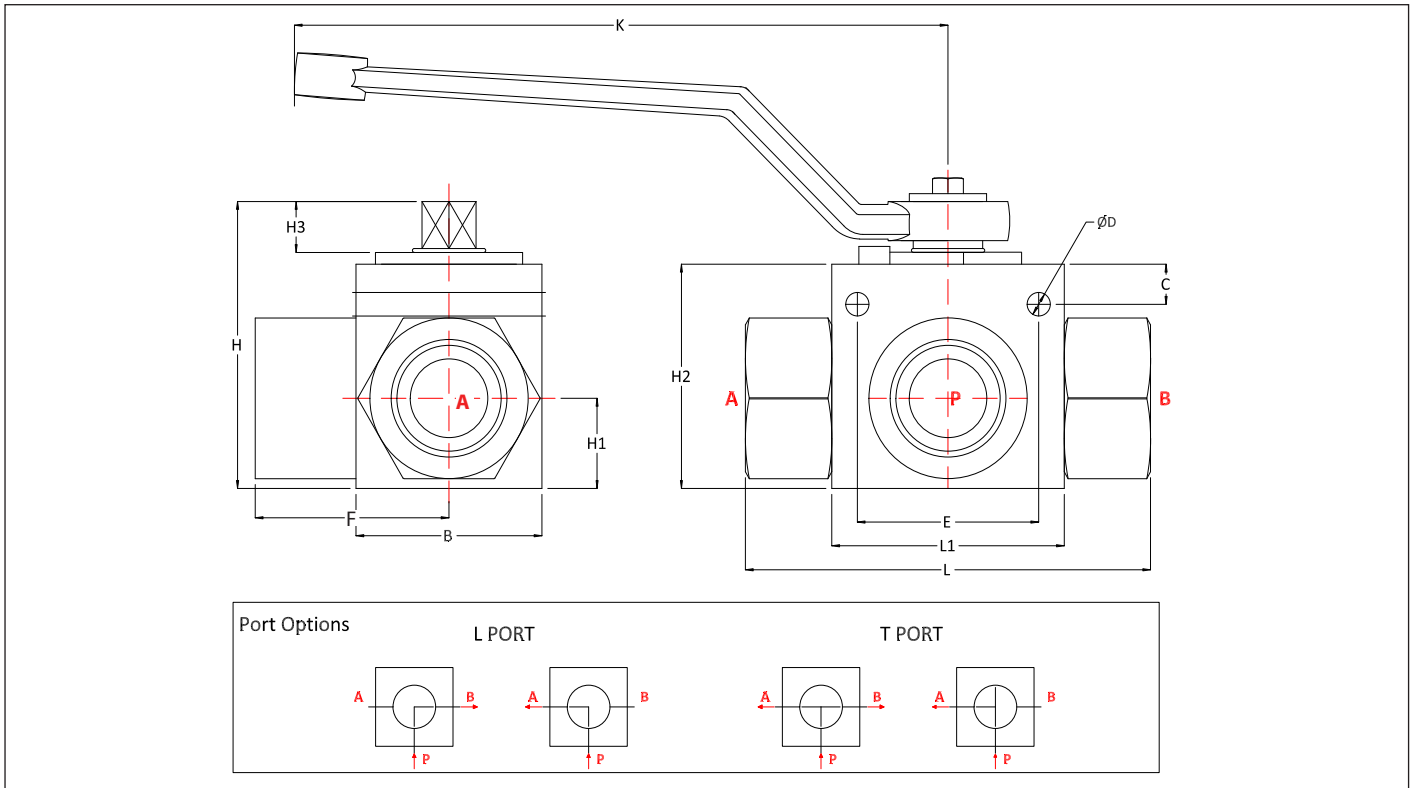
- Operating temperatures (With Nitrile seals): -40°C (-40°F) to 106°C (223°F)

APPLICATIONS

- Designed for usage in general hydraulic systems, machine tools, test equipment, agricultural, and mobile hydraulics



DRAWING



DIMENSIONS

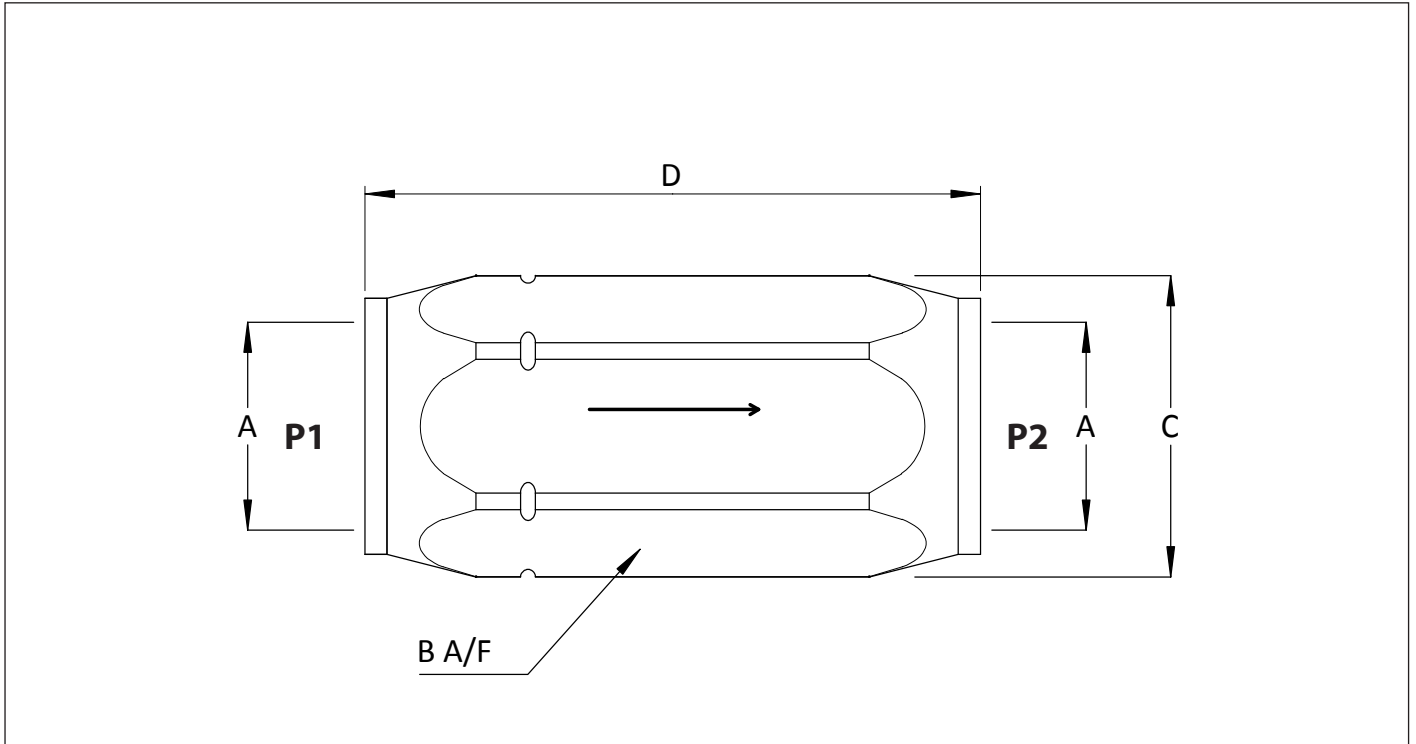
Size	Thread Size (A)	B	C	ØD	E	F	G	H	H1	H2	H3	L	L1	Maximum Working Pressure	Burst Pressure
		Dimensions in mm												Bar	
		Dimensions in Inches												Psi	
BVC3 06	1/4"	28.3	5.3	4.6	25.9	35.3	107	44.3	13.5	32.5	8.5	68.7	37	500	2000
		1.1	0.2	0.2	1.0	1.4	4.2	1.7	0.5	1.3	0.3	2.7	1.5	7250	29000
BVC3 10	3/8"	32.1	5	6.3	32	37.3	107	52.2	17.3	40.3	8.5	72	42	500	2000
		1.3	0.2	0.2	1.3	1.5	4.2	2.1	0.7	1.6	0.3	2.8	1.7	7250	29000
BVC3 12	1/2"	35.2	5.6	6.5	37.5	41	107	52.6	18.3	40.5	8.5	83	48	500	2000
		1.4	0.2	0.3	1.5	1.6	4.2	2.1	0.7	1.6	0.3	3.3	1.9	7250	29000
BVC3 19	3/4"	48.5	6.3	6.5	45	50	170	74.7	24.7	57.2	14	95.2	60	500	2000
		1.9	0.2	0.3	1.8	2.0	6.7	2.9	1.0	2.3	0.6	3.7	2.4	7250	29000
BVC3 25	1"	56.7	5.8	6.8	56	58	170	81.6	28.5	64	14	112.8	64.9	500	2000
		2.2	0.2	0.3	2.2	2.3	6.7	3.2	1.1	2.5	0.6	4.4	2.6	7250	29000
BVC3 32	1 1/4"	75	8.3	10.8	66	56	234	103.5	38.5	83.9	16	110	84	350	1400
		3.0	0.3	0.4	2.6	2.2	9.2	4.1	1.5	3.3	0.6	4.3	3.3	5075	20300
BVC3 40	1 1/2"	85.2	---	---	---	66	234	115.2	42	95.2	16	129	91.2	350	1400
		3.4	---	---	---	2.6	9.2	4.5	1.7	3.7	0.6	5.1	3.6	5075	20300
BVC3 50	2"	105	---	---	---	70	234	133	52.5	112.5	16	140	100	350	1400
		4.1	---	---	---	2.8	9.2	5.2	2.1	4.4	0.6	5.5	3.9	5075	20300

*Dimensions based on BSPP threads

PSI= Bar x14.5 Inches= mm/25.4



DRAWING



DIMENSIONS

Size	Thread Size (A)*	B	ØC	D	Maximum Working Pressure	Burst Pressure
		Dimensions in mm			Bar	
		Dimensions in Inches			Psi	
CV 06	1/4"	19	21	58	400	1200
		0.7	0.8	2.3	5800	17400
CV 10	3/8"	24	27	62.2	400	1200
		0.9	1.1	2.4	5800	17400
CV 12	1/2"	30	33	79.2	350	1050
		1.2	1.3	3.1	5075	15225
CV 19	3/4"	36	40	83.1	350	1050
		1.4	1.6	3.3	5075	15225
CV 25	1"	45	49	106.2	350	1050
		1.8	1.9	4.2	5075	15225
CV 32	1 1/4"	55	63.2	127	250	750
		2.2	2.5	5.0	3625	10875
CV 40	1 1/2"	65	75	138	250	750
		2.6	3.0	5.4	3625	10875
CV 50	2"	75	84	160	250	750
		3.0	3.3	6.3	3625	10875

*Dimensions based on BSPP threads

PSI= Bar x14.5 Inches= mm/25.4

VPC SERIES

Hose burst valves

INTRODUCTION

Holmbury's VPC Series hose burst valves allows free flow in both directions under normal working conditions, however, in the situation of a surge flow from 'B' to 'A' due to hose failure the valve immediately stops the flow. The burst flow can be set by increasing or decreasing dimension 'S' to be verified during final testing of machine.

CONSTRUCTION

- Carbon steel with trivalent plating
- Metal to metal sealing

FEATURES

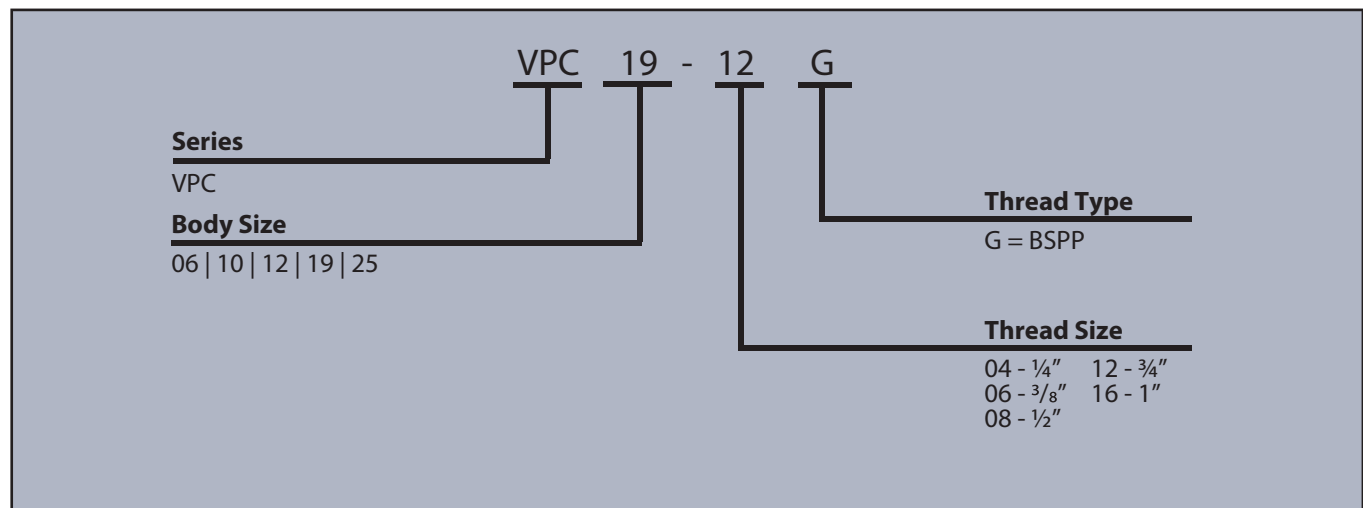
- Can be retrofitted to existing systems
- Male thread designed to be screwed into female threaded port
- Valves need to be manually set to alter the flow at which the valve shuts
- Cartridges are available for the VPC Series
- Bidirectional flow



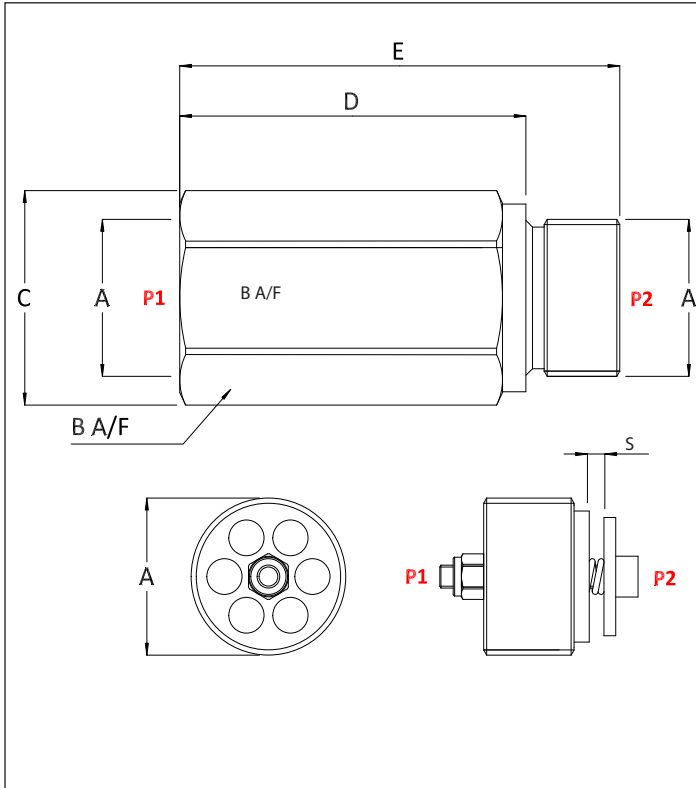
APPLICATIONS

- Lifting equipment

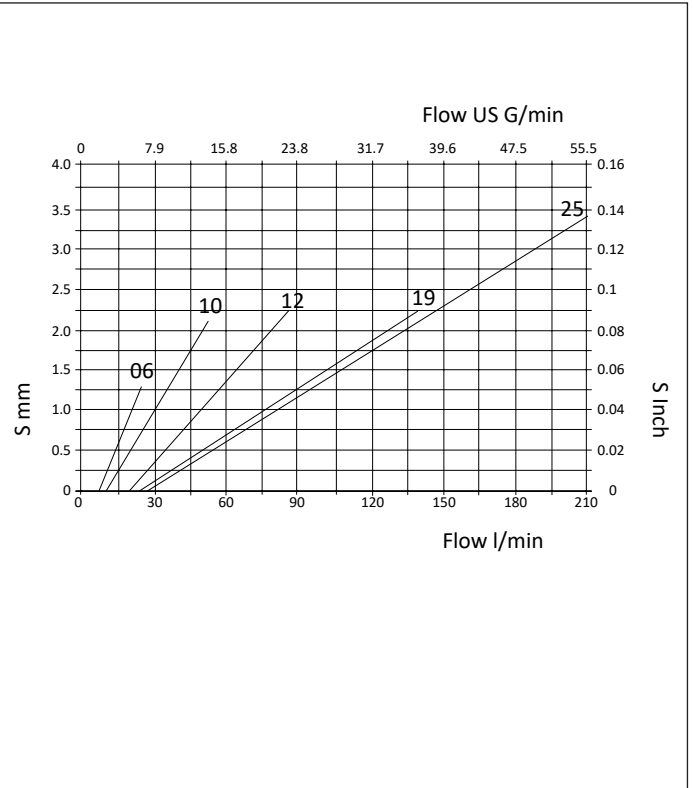
ORDER CODES



DRAWING



REVERSE FLOW ADJUSTMENT



DIMENSIONS

Size	Thread Size (A)	B	ØC	D	E	Maximum Working Pressure	Burst Pressure
		Dimensions in mm				Bar	
		Dimensions in Inches				Psi	
VPC	1/4"	19	21.9	38	50	350	1050
		0.7	0.9	1.5	2.0	5075	15225
VPC	3/8"	22	25	48	60	350	1050
		0.9	1.0	1.9	2.4	5075	15225
VPC	1/2"	27	31	49	63	350	1050
		1.1	1.2	1.9	2.5	5075	15225
VPC	3/4"	32	36	59	75	350	1050
		1.3	1.4	2.3	3.0	5075	15225
VPC	1"	41	46	70	88	350	1050
		1.6	1.8	2.8	3.5	5075	15225

PSI= Bar x14.5 Inches= mm/25.4

PC SERIES

Spool valve changes joystick pattern operation

INTRODUCTION

Holmbury's PC Series pattern changer spool valve is designed to switch joystick functionality on equipment such as excavators. When operators move from one machine to another, they can set-up the joystick controls to function in a familiar format. This reduces re-training time, limits accidents caused by unfamiliar controls and avoids the need to switch hoses. The pattern changer is hand operated and has four inlet ports and four outlet ports. It provides 8-way, two position control of pilot signals.

CONSTRUCTION

- Carbon steel with trivalent plating
- 04 SAE ORB connection
- Fitted with Nitrile seals

FEATURES

- Operated by turning the handle 90 degrees to change the joystick pattern
- Reduction in training time when switching between machines made by different manufacturers
- Compact design
- Simple, reliable operations with no electronic components
- Quick and easy to install



SPECIFICATIONS

- Operating temperatures (With Nitrile seals): -40°C (-40°F) to 106°C (223°F)

APPLICATIONS

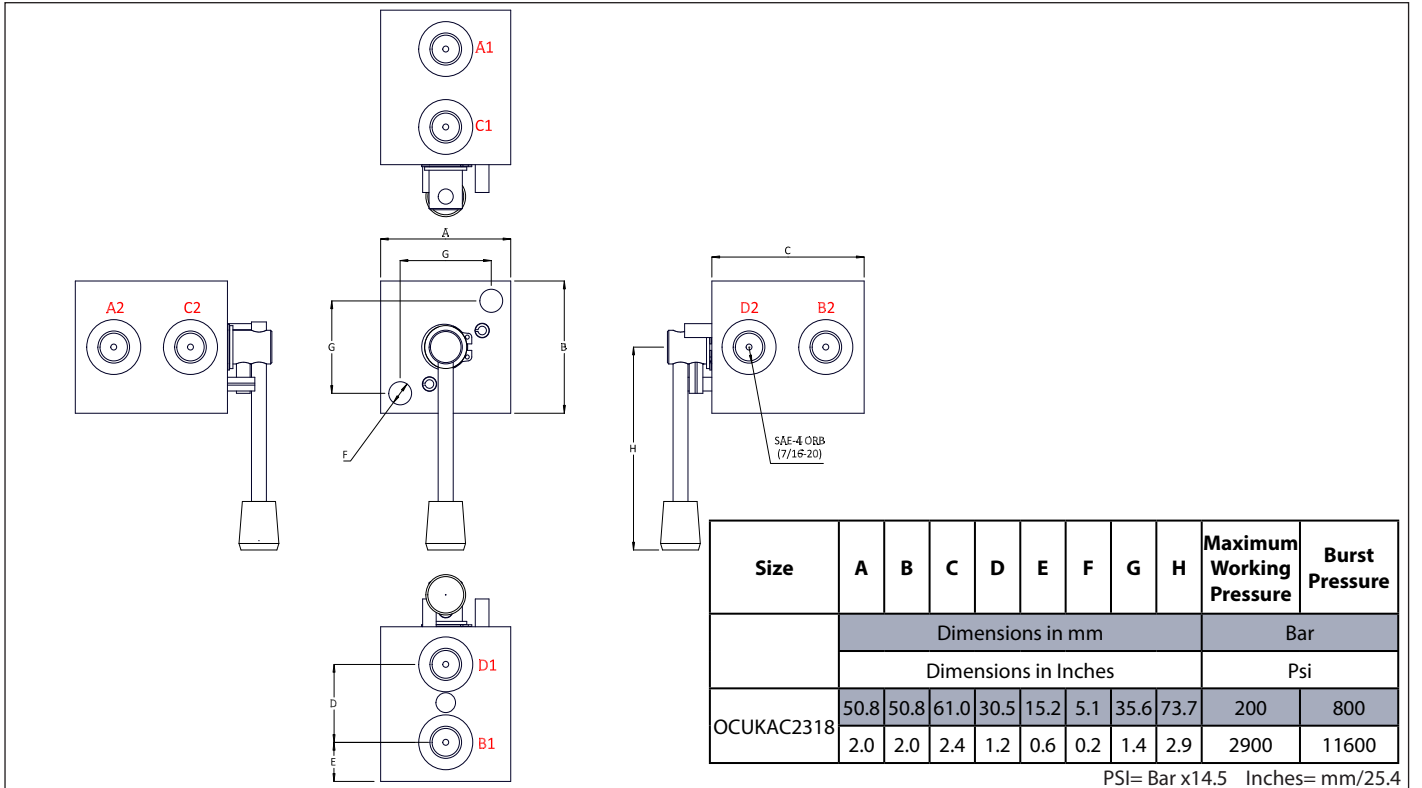
- Switching joystick functionality between machines made by different manufacturers

ORDER CODES

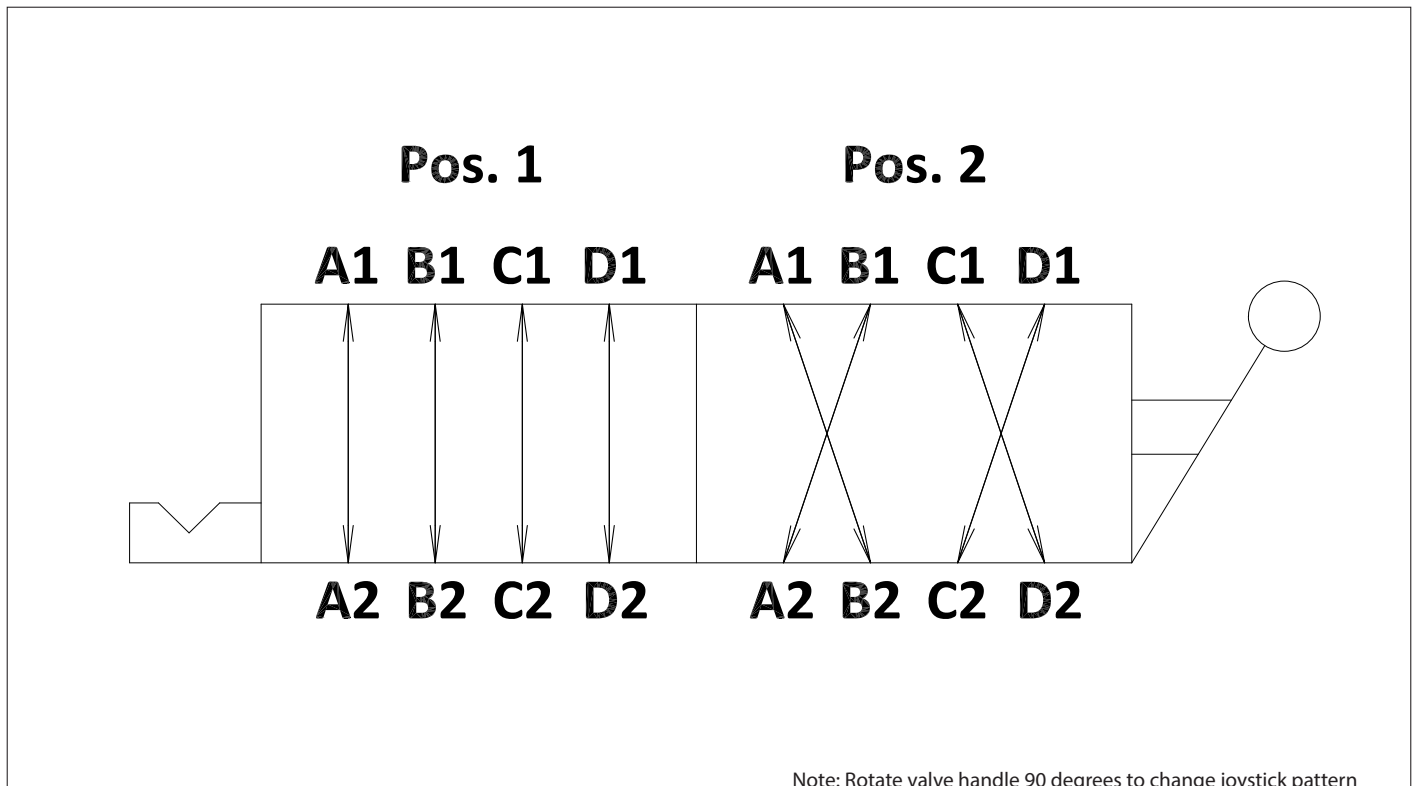
OCUKAC2318



DIMENSIONS & DRAWING



SCHEMATICS



BVS 2 SERIES

Stainless steel two way high pressure ball valves

INTRODUCTION

Holmbury's BVS 2 Series two way stainless steel, high pressure ball valves are designed to suit a wide range of applications. These valves should not be used as flow control valves and should therefore always be fully open or closed.

CONSTRUCTION

- AISI 316 stainless steel
- Fitted with Viton seals
- Also available in carbon steel (See BVC 2 Series)
- Metric and flanged available on request)

FEATURES

- Floating ball design maximizes sealing
- Full bore valves provide unrestricted flow path for negligible pressure drop
- Open to close in 1/4 turn
- Cranked handle allows clearance for easy operation

ACCESSORIES

- Valve Locking Kits and Valve Handles are available for the BVS 2 Series



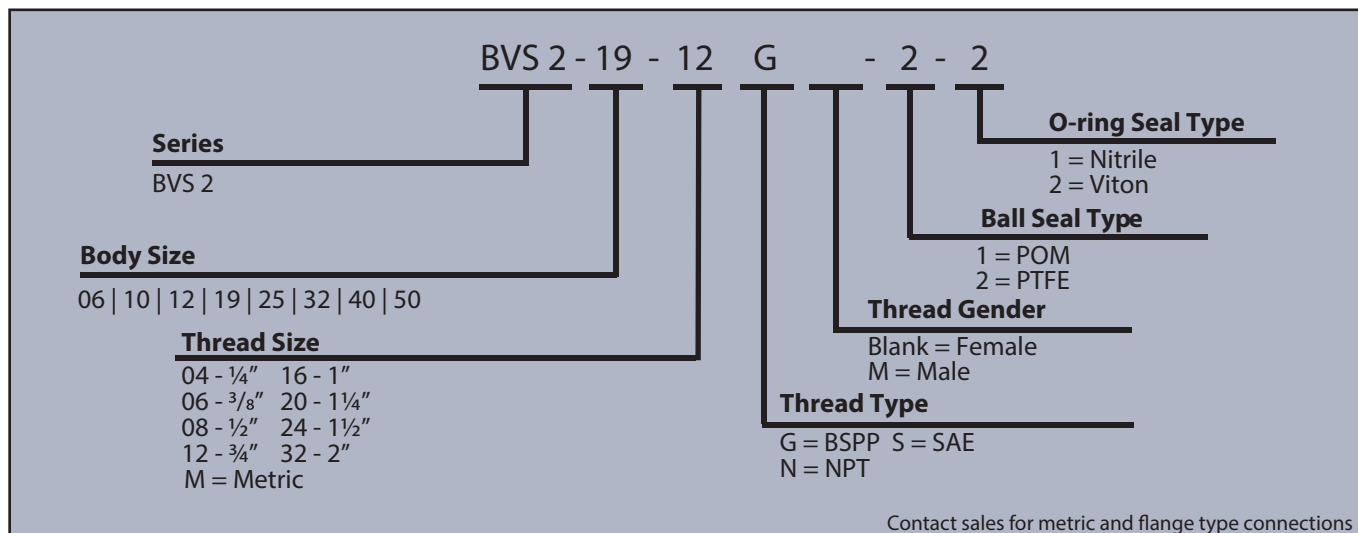
SPECIFICATIONS

- Operating temperatures (With Viton seals): -20°C (-4°F) to 200°C (392°F)

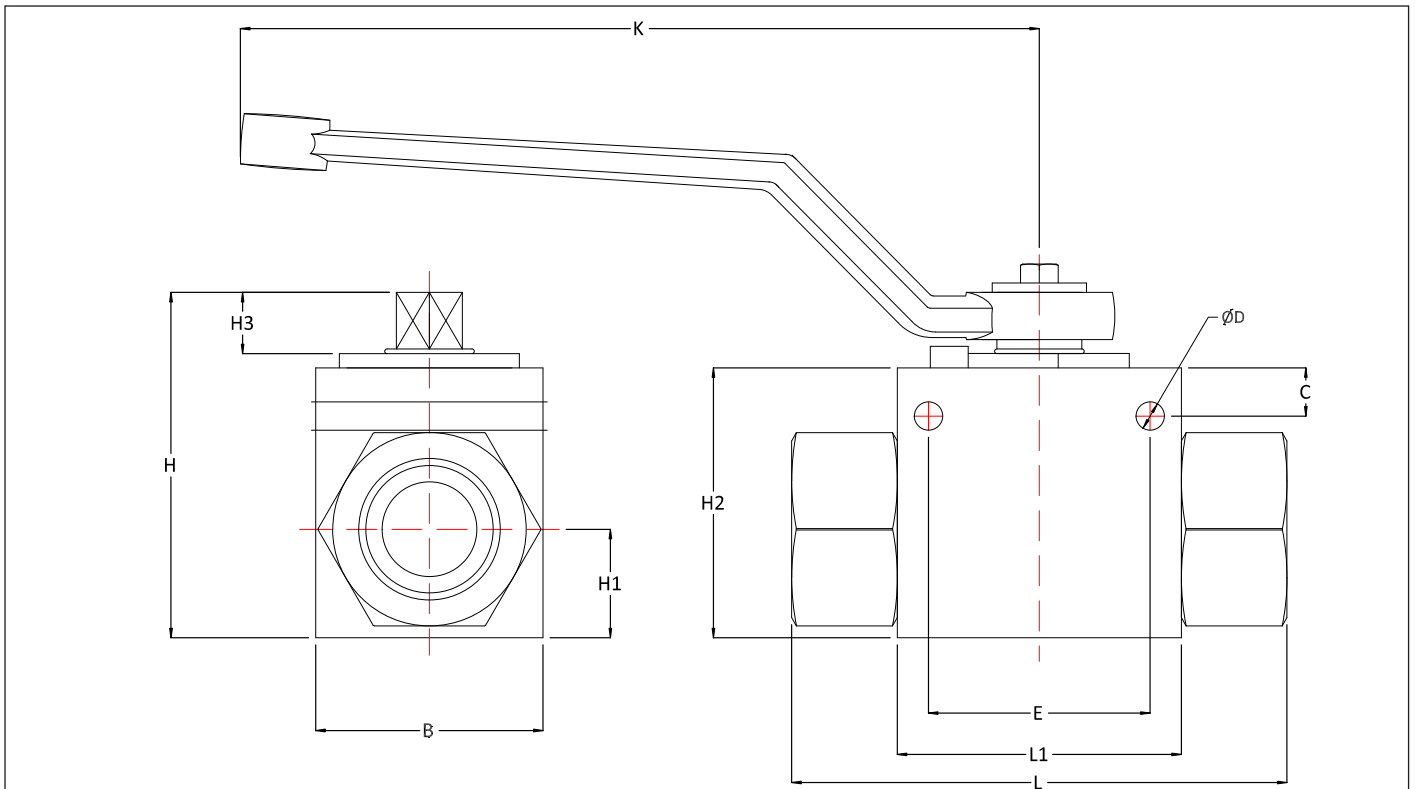
APPLICATIONS

- Designed for usage in marine, oil & gas, nuclear, pharmaceutical, power generation and offshore industries

ORDER CODES



DRAWING



DIMENSIONS

Size	Thread Size (A)*	B	C	ØD	E	G	H	H1	H2	H3	L	L1	Maximum Working Pressure	Burst Pressure
													Bar	Psi
Dimensions in mm													Bar	
Dimensions in Inches													Psi	
BVS2 06	1/4"	28.2	5	4.5	26.2	107	44.3	12.7	32.3	8.5	69	36.8	500	2000
		1.1	0.2	0.2	1.0	4.2	1.7	0.5	1.3	0.3	2.7	1.4	7250	29000
BVS2 10	3/8"	32.2	5	6.7	32.5	107	52	17	40.2	8.5	72	42.2	500	2000
		1.3	0.2	0.3	1.3	4.2	2.0	0.7	1.6	0.3	2.8	1.7	7250	29000
BVS2 12	1/2"	35.2	5.2	6.4	37.7	107	52	18	40.2	8.5	83.3	48	500	2000
		1.4	0.2	0.3	1.5	4.2	2.0	0.7	1.6	0.3	3.3	1.9	7250	29000
BVS2 19	3/4"	48.2	6.8	7	45	170	74.7	25	57.1	14	95	60	315	1260
		1.9	0.3	0.3	1.8	6.7	2.9	1.0	2.2	0.6	3.7	2.4	4568	18270
BVS2 25	1"	57.1	6	6.8	54.5	170	81.8	29	64.8	14	112.8	65	315	1260
		2.2	0.2	0.3	2.1	6.7	3.2	1.1	2.6	0.6	4.4	2.6	4568	18270
BVS2 32	1 1/4"	75.2	9.2	10.7	67.5	234	103.6	37.7	84	16	110	84	315	1260
		3.0	0.4	0.4	2.7	9.2	4.1	1.5	3.3	0.6	4.3	3.3	4568	18270
BVS2 40	1 1/2"	85.2				234	115.2	42.5	95.3	16	129.7	91	315	1260
		3.4				9.2	4.5	1.7	3.8	0.6	5.1	3.6	4568	18270
BVS2 50	2"	105				234	132.7	52.5	112.5	16	140.3	100	315	1260
		4.1				9.2	5.2	2.1	4.4	0.6	5.5	3.9	4568	18270

*Dimensions based on BSPP threads

PSI= Bar x14.5 Inches= mm/25.4



BVS 3 SERIES

Stainless steel three way high pressure ball valves

INTRODUCTION

Holmbury's BVS 3 Series three way stainless steel high pressure ball valves are designed to suit a wide range of applications. These valves should not be used as flow control valves and should therefore always be fully open or closed.

CONSTRUCTION

- AISI 316 stainless steel
- Fitted with Viton seals
- Also available in carbon steel (See BVC 3 Series)
- Metric and flanged available on request

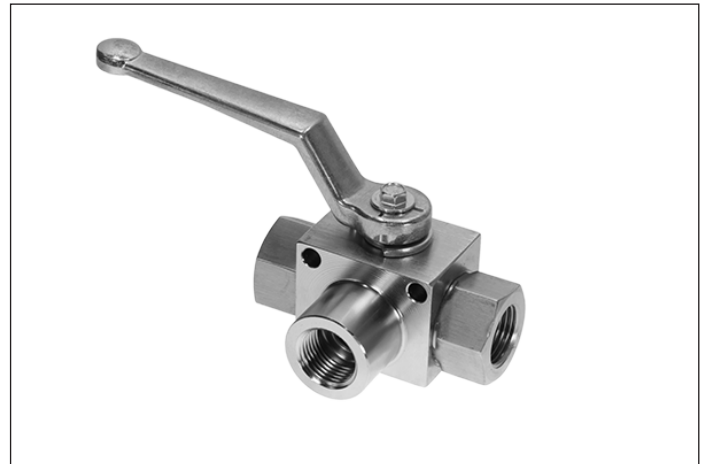
FEATURES

- Available in 'L' or 'T' port configurations
- One piece body design provides additional strength
- Full bore valves provide unrestricted flow path for negligible pressure drop
- 90 degree operation
- Cranked handle allows clearance for easy operation

ACCESSORIES

- Valve Locking Kits and Valve Handles are available for the BVS 3 Series

ORDER CODES

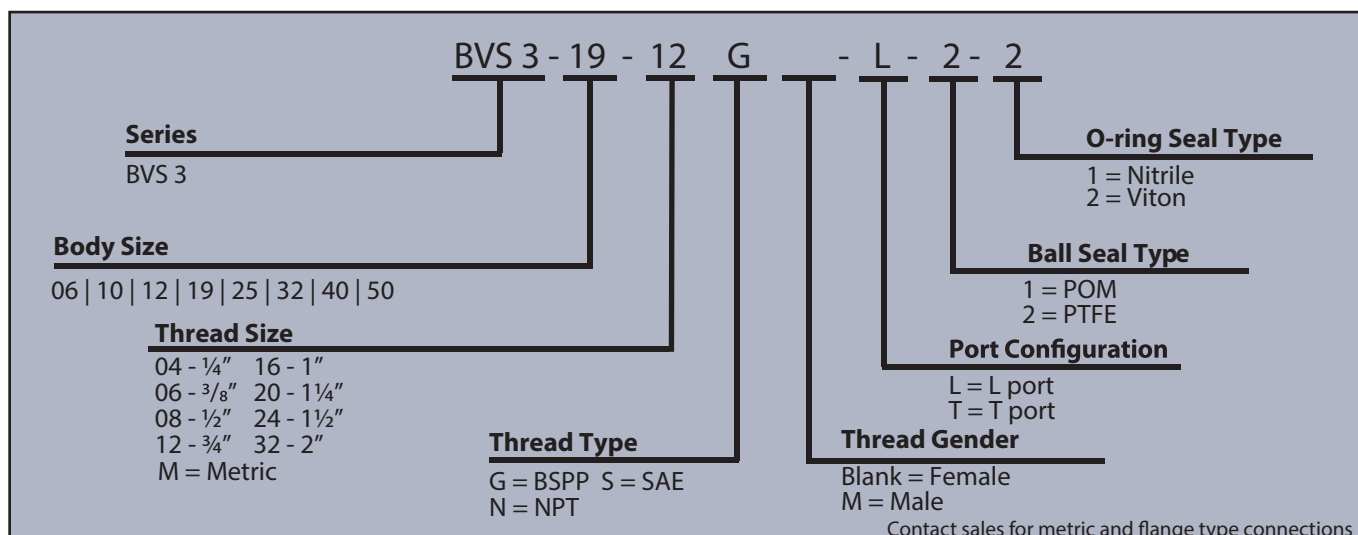


SPECIFICATIONS

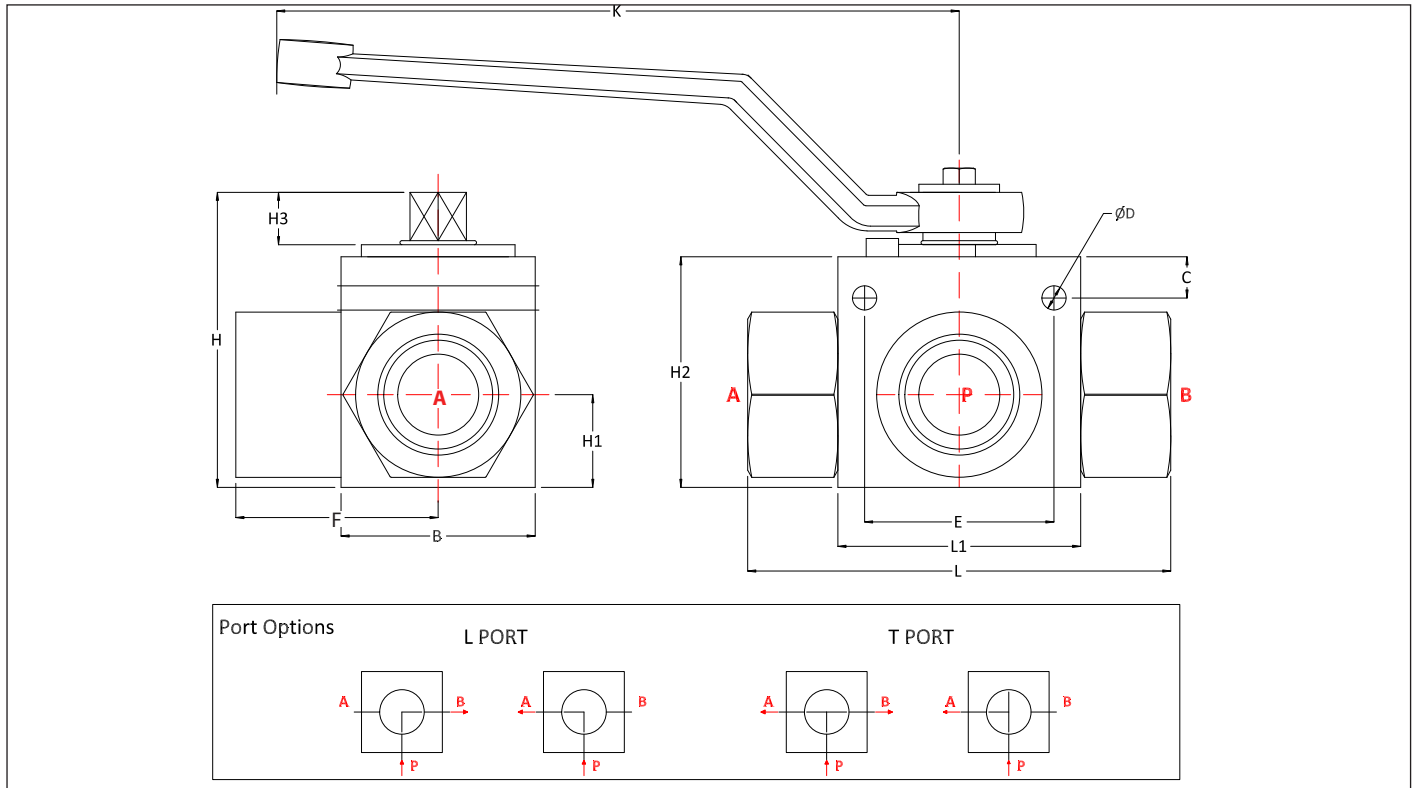
- Operating temperatures (With Viton seals): -20°C (-4°F) to 200°C (392°F)

APPLICATIONS

- Designed for usage in marine, oil & gas, nuclear, pharmaceutical, power generation and offshore industries



DRAWING



DIMENSIONS

Size	Thread Size (A)*	Dimensions in mm												Maximum Working Pressure	Burst Pressure
		B	C	ØD	E	F	G	H	H1	H2	H3	L	L1	Bar	Psi
BVS3 06	1/4"	Dimensions in mm												Bar	
		Dimensions in Inches												Psi	
BVS3 06	1/4"	28.3	5.3	4.6	25.9	35.3	107	44.3	13.5	32.5	8.5	68.7	37	315	1260
		1.1	0.2	0.2	1.0	1.4	4.2	1.7	0.5	1.3	0.3	2.7	1.5	4568	18270
BVS3 10	3/8"	32.1	5	6.3	32	37.3	107	52.2	17.3	40.3	8.5	72	42	315	1260
		1.3	0.2	0.2	1.3	1.5	4.2	2.1	0.7	1.6	0.3	2.8	1.7	4568	18270
BVS3 12	1/2"	35.2	5.6	6.5	37.5	41	107	52.6	18.3	40.5	8.5	83	48	315	1260
		1.4	0.2	0.3	1.5	1.6	4.2	2.1	0.7	1.6	0.3	3.3	1.9	4568	18270
BVS3 19	3/4"	48.5	6.3	6.5	45	50	170	74.7	24.7	57.2	14	95.2	60	315	1260
		1.9	0.2	0.3	1.8	2.0	6.7	2.9	1.0	2.3	0.6	3.7	2.4	4568	18270
BVS3 25	1"	56.7	5.8	6.8	56	58	170	81.6	28.5	64	14	112.8	64.9	315	1260
		2.2	0.2	0.3	2.2	2.3	6.7	3.2	1.1	2.5	0.6	4.4	2.6	4568	18270
BVS3 32	1 1/4"	75	8.3	10.8	66	56	234	103.5	38.5	83.9	16	110	84	315	1260
		3.0	0.3	0.4	2.6	2.2	9.2	4.1	1.5	3.3	0.6	4.3	3.3	4568	18270
BVS3 40	1 1/2"	85.2	---	---	---	66	234	115.2	42	95.2	16	129	91.2	315	1260
		3.4	---	---	---	2.6	9.2	4.5	1.7	3.7	0.6	5.1	3.6	4568	18270
BVS3 50	2"	105	---	---	---	70	234	133	52.5	112.5	16	140	100	315	1260
		4.1	---	---	---	2.8	9.2	5.2	2.1	4.4	0.6	5.5	3.9	4568	18270

*Dimensions based on BSPP threads

PSI= Bar x14.5 Inches= mm/25.4



CVS SERIES

Stainless steel in-line check valves

INTRODUCTION

Holmbury's CVS Series stainless steel in-line check valves are designed to suit a wide range of applications. The CVS Series check valve allows flow in one direction and blocks it in the opposite direction. The flow is only allowed once a pre-set cracking pressure is reached.

CONSTRUCTION

- AISI 316 stainless steel
- Fitted with Viton seals (Other seals available on request)
- Also available in carbon steel (See CV Series)

FEATURES

- Various cracking pressures are available
- Single directional flow

SPECIFICATIONS

- Operating temperatures (With Viton seals): -20°C (-4°F) to 200°C (392°F)



APPLICATIONS

- Corrosive fluids and environments
- Marine
- Oil and gas
- Chemical
- Pharmaceutical
- Nuclear

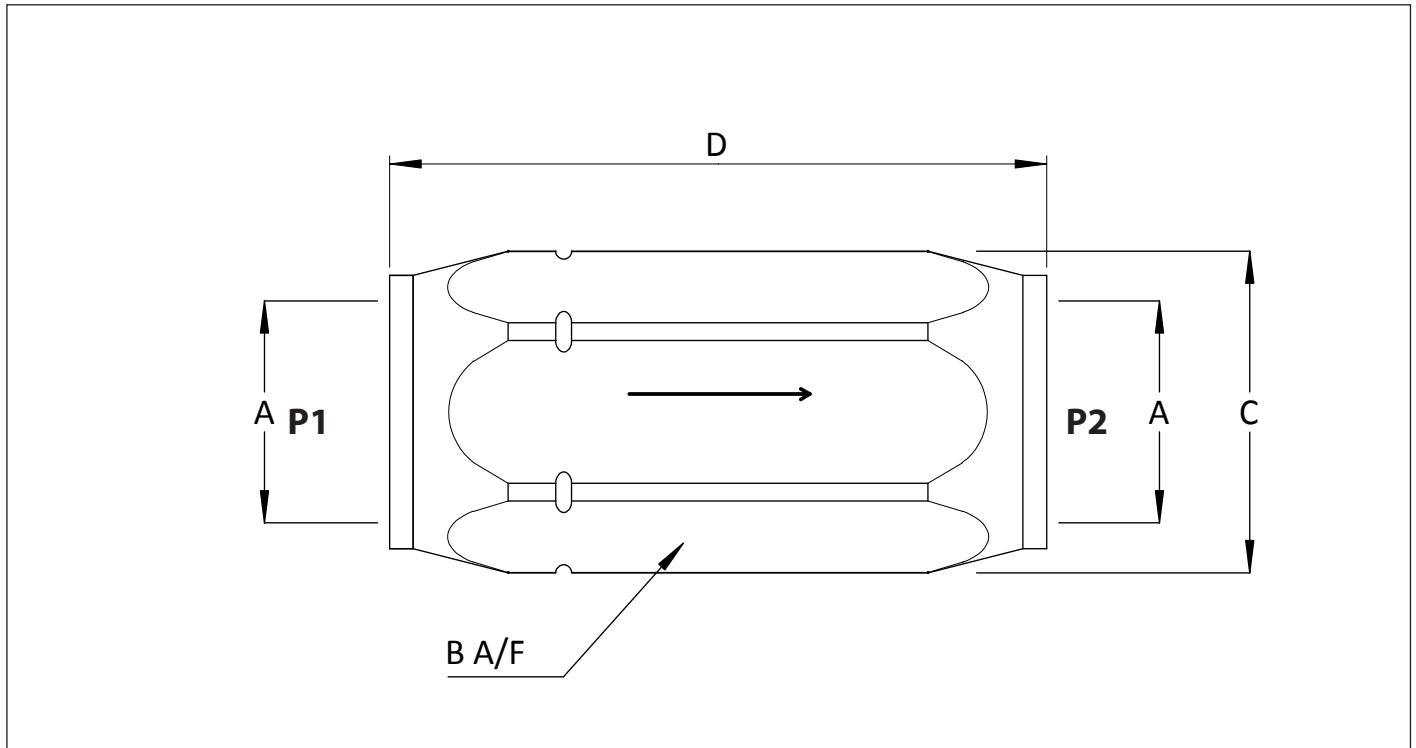
ORDER CODES

		CVS	19	-	12	G	M	-	12	G	M	-	0.35	Cracking Pressure*		
														7 58 116 PSI		
Series	CVS															
Body Size	06 - 1/4"	25 - 1"	10 - 3/8"	32 - 1 1/4"	12 - 1/2"	40 - 1 1/2"	19 - 3/4"	50 - 2"							Thread Gender	
															M = Male Blank = Female	
Thread Size (P1)	04 - 1/4"	16 - 1"	06 - 3/8"	20 - 1 1/4"	08 - 1/2"	24 - 1 1/2"	12 - 3/4"	32 - 2"	Thread Type						Thread Size (P2)	
									G = BSPP N = NPT S = SAE						04 - 1/4"	16 - 1"
									Thread Gender						06 - 3/8"	20 - 1 1/4"
									M = Male Blank = Female						08 - 1/2"	24 - 1 1/2"
														12 - 3/4"	32 - 2"	

*Special cracking pressures available on request



DRAWING



DIMENSIONS

Size	Thread Size (A)*	B	ØC	D	Maximum Working Pressure	Burst Pressure
		Dimensions in mm			Bar	
		Dimensions in Inches			Psi	
CVS 06	1/4"	19.0	21.0	50.0	350	1225
		0.7	0.8	2.0	5075	17763
CVS 10	3/8"	24.0	27.0	60.0	350	1225
		0.9	1.1	2.4	5075	17763
CVS 12	1/2"	27.0	33.0	65.0	350	1225
		1.1	1.3	2.6	5075	17763
CVS 19	3/4"	34.0	40.0	75.0	300	1050
		1.3	1.6	3.0	4350	15225
CVS 25	1"	41.0	49.0	93.0	250	875
		1.6	1.9	3.7	3625	12688
CVS 32	1 1/4"	50.0	63.2	110.0	250	875
		2.0	2.5	4.3	3625	12688
CVS 40	1 1/2"	55.0	75.0	112.0	250	875
		2.2	3.0	4.4	3625	12688
CVS 50	2"	75.0	84.0	160.0	200	700
		3.0	3.3	6.3	2900	10150

*Dimensions based on BSPP threads

PSI= Bar x14.5 Inches= mm/25.4

ACCESSORIES

DUST CAPS & PLUGS



Dust Caps and Plugs for most Series in either PVC, flip-top, steel, aluminium or stainless steel. Dust Caps and Plugs protect the couplers and valves from ingress of dirt and contaminants.

PARKING STATIONS



Parking Stations for a range of Series including screw and push connect types, constructed from trivalent plated carbon steel. Parking Stations are used to safely secure one half of the coupler when not connected.

SEAL KITS



Seal Kits in a range of materials including Viton, Nitrile and Kalrez, dependant on Series. The Seal Kits enable the user to replace existing seals, increasing the lifespan of the coupler.

REPAIR KITS



Repair Kits for the 5000 Series. These kits enable all components within the 5000 Series to be replaced, increasing the coupler lifespan. The Repair Kits include replacement poppets, springs, seals and collets. Appropriate tools are also provided to fit the replacement parts. See the Holmbury website for instructional videos on replacing parts.

MOUNTING FLANGES



Mounting Flanges for the WSC Series in carbon steel. The flanges are either made from machined or pressed steel, dependant on body size. Designed for mounting the male half onto bulkheads.

VALVE HANDLES



Valve Handles for a range of Ball Valve Series and sizes. Valve Handles are used as a replacement, or for applications where a handle is not originally provided.

VALVE LOCKING KITS



Valve Locking Kits for a range of Ball Valve Series and sizes. These are used to lock the handle in a set position so that it cannot be tampered with. Ideal for use on sensitive systems.



ACCESSORIES TABLE

Series	Dust Caps / Plugs			Seal Kits	Parking Stations	Repair Kits	Mounting Flanges / Brackets	Valve Handles	Valve Locking Kits
	Plastic	Flip-top	Metal						
BVC 2	-	-	-	-	-	-	-	✓	✓
BVC 3	-	-	-	-	-	-	-	✓	✓
BVS 2	-	-	-	-	-	-	-	✓	✓
BVS 3	-	-	-	-	-	-	-	✓	✓
DIN B	✓	-	-	✓	-	-	-	-	-
DIN V	✓	-	-	✓	-	-	-	-	-
DTP	✓	-	-	-	-	-	-	-	-
F	✓	-	-	-	-	-	-	-	-
H90	✓	✓	✓	-	-	-	-	-	-
HCP	✓	-	-	-	-	-	-	-	-
HFT	-	-	✓	-	-	-	-	-	-
HP	✓	-	-	-	-	-	-	-	-
HQ	✓	✓	-	-	✓	-	-	-	-
HS	✓	-	✓	✓	-	-	-	-	-
5000	✓	-	-	✓	-	✓	✓	-	-
HSS	✓	✓	✓	-	-	-	-	-	-
HTN	✓	-	-	-	-	-	-	-	-
IA	✓	-	-	✓	✓	-	-	-	-
IAP	✓	✓	-	-	-	-	-	-	-
IAPC	✓	✓	-	-	-	-	-	-	-
IAS	✓	-	-	✓	-	-	-	-	-
IB	✓	-	✓	✓	-	-	-	-	-
IBB	✓	-	-	✓	-	-	-	-	-
IBS	✓	-	-	✓	-	-	-	-	-
LC	-	-	✓	-	-	-	-	-	-
KM	✓	-	-	-	-	-	-	-	-
P	✓	✓	-	-	-	-	-	-	-
PLC	-	-	✓	-	-	-	-	-	-
PS	-	-	✓	-	-	-	-	-	-
PSB	✓	-	✓	-	-	-	-	-	-
PSP	✓	-	✓	-	-	-	-	-	-
PTC	-	-	✓	-	-	-	-	-	-
PTS	-	-	✓	✓	-	-	-	-	-
PWC	-	-	-	✓	-	-	-	-	-
PWS	-	-	-	✓	-	-	-	-	-
RH	✓	-	✓	✓	-	-	-	-	-
SHS	✓	-	-	-	-	-	-	-	-
SP	-	-	✓	-	-	-	-	-	-
TB	-	-	-	-	✓	-	-	-	-
TC	-	-	✓	-	-	-	-	-	-
WSC	-	-	-	-	-	-	✓	-	-

Note: Only Series with at least one available accessory are displayed in this table



SAFETY GUIDELINES

For the care and operation of Holmbury couplers

CAUTION: It is important that users of the Quick Release Couplers read the following Safety Guidelines. Improper use of the Holmbury products can lead to severe injury and damage to equipment.

Holmbury couplers have established an excellent track record since their introduction in 1982. If used correctly they will give lengthy, trouble-free service. Where problems have been experienced with Holmbury couplers and returned for examination, the most common causes were found to be dirt, neglect and abuse. These guidelines are intended to help maximize the operating life of Holmbury couplers.

The Essential Do's

1. Always wipe the two mating faces clean before connecting
2. It is recommended that Dust Caps and Plugs be used when the couplers are disconnected
3. Always align the external locking ball (if used) with the notch in the locking sleeve and then pull the locking sleeve back fully to disconnect
4. If a coupler sticks, first check that pressure has been released. Ensure the locking ball and notch in the locking sleeve are aligned, pull back the sleeve and twist the couplers apart. Sticking is normally caused by dirt in the coupler or physical damage due to abuse
5. Connect and disconnect new couplers two or three times to work the PTFE seals. Sometimes a new coupler will stick if the seal has not been worked
6. When fitting couplers, only apply the spanner or grips to the hexagon and nowhere else
7. Avoid damage to the coupler faces. Burrs and scratches cause damage to the seals and cause leaks. They can also impede connection and disconnection of the couplers
8. Periodically lubricate the internal locking balls on the female half of the coupler with silicone grease
9. All hydraulic systems should be protected with a good quality filter, minimum 25µ filtration is recommended. The filter should be changed at regular intervals, in accordance with the manufacturer's instructions. Adequate filtration ensures the oil remains free of contaminants that can damage the internal seals of the coupler

The Essential Dont's

1. Never attempt to reconnect using a damaged half coupler, as this will destroy the seals in the mating half and necessitate replacement of both halves
2. Do not leave the coupler where it may be run over by a vehicle or otherwise crushed. This will distort the sleeve and prevent connection and disconnection
3. Never try to turn the sleeve when the coupler is disconnected since this will cause the locking ball to jam under the locking sleeve and damage the coupler
4. Never try to strip the coupler down. There are no user serviceable parts. If the coupler is damaged it should be replaced with a new coupler
5. Never hit the centre poppet of the coupler to try and release locked in pressure. This can cause irreparable damage to the coupler and serious injury
6. When fitting couplers, never clamp on the sleeve of the female or nose of the male - this will cause distortion and damage
7. Never subject the couplers to external forces, especially side load. This can reduce the life of the coupler or cause failure
8. Never allow the torsional forces transmitted from hoses to unscrew/screw together couplers. Utilise rotary couplers (See Holmbury Rotary Couplers)
9. Never use a coupler as a plug
10. Do not connect and disconnect with pressure in the line, unless the coupler type is specifically designed to do so
11. Connecting a Holmbury coupler half with another manufacturer's coupler half could damage internal seals and invalidate warranty. Check with Holmbury before mismatching couplers

Since Holmbury has no control over the use and application of its products it cannot accept liability for any injury, loss or damage arising directly or indirectly from the use of its products. Information taken from this brochure is intended to serve as a guide only. Customers should, through appropriate tests, satisfy themselves that the products are suitable for their intended use.



Zinc nickel plating

INTRODUCTION

Holmbury recently submitted a selection of their zinc nickel plated couplers for testing alongside several competitor solutions. The results were quite remarkable and proved beyond doubt that Holmbury offers the most effective corrosion protection currently on the market. Zinc nickel plating is available as standard on several of our product series and available as an option on many others. Please enquire for more details.

SALT SPRAY TESTING

A total of eight couplers, which included Holmbury zinc nickel and trivalent plated couplers, were submitted initially for 480 hours of salt spray exposure according to ASTM B117. All samples were salt spray test in accordance with the instructions provided in ASTM B117, "Standard Procedure for Operating Salt Spray (Fog) Apparatus". As the test reached its conclusion it became clear that the Holmbury zinc nickel plating would far exceed the 480 hour mark. The test was continued in order to ascertain the failure point for the Holmbury zinc nickel plated couplers.

RESULTS

At 1200 hours the decision was made to terminate the test, as it could not be run indefinitely. At this point the Holmbury zinc nickel plated samples still showed no signs of red rust. The below pictures show one of the Holmbury zinc nickel plated couplers at various stages of testing:

0 HOURS



96 HOURS



480 HOURS



1200 HOURS



Seal operating temperatures

Abbrev.	Trade Name	Chemical Name	Min. Temp	Max. Temp
NBR / XNBR	Chemigum®, Hycar®, Breon®, Butakon®, Butacril®, Buna-N®, Perbunan®, Paracril®, Krynac®, Europrene-N®, Nipol®	Nitrile Butadiene Rubber Carboxylated Nitrile Rubber	-40°C	106°C
FKM (FPM)	Dai-el®, Fluorel®, Tecnoflon®, Viton®	Fluoroelastomer Rubber	-20°C	200°C
CR	Neoprene®, Skyprene®, Butaclor®, Baypren®, Denka®	Chloroprene Rubber (Polychloroprene)	-40°C	110°C
EPR / EPDM	Buna-AP®, Dufrol®, Epsyn®, Nordel®, Epcar®, Keltan®, Royalene®, Polysar-EPDM®	Ethylene Propylene Copolymer Ethylene Propylene Terpolymer	-50°C	120°C
FVMQ	Silastic 1S®, FSE®	Fluorosilicone Rubber	-65°C	170°C
FFKM	Perlast®, Kalrez®, Chemraz®	Perfluoroelastomer	-25°C	300°C

Flat face body sizing chart (ISO 16028)

Place the connecting end of your male probe on the sizing chart below to determine the appropriate body size

This chart is designed to be used with the following Series:

- HQ Series
- H90 Series
- HCP Series
- HSS Series

INDEX (BY CATEGORY)

FLAT FACE COUPLERS

HQ SERIES	7-8
H90 SERIES	9-10
HCP SERIES	11-12
HP SERIES	13-14

SCREW CONNECT COUPLERS

HFT SERIES	15-16
HS SERIES	17-18
5000 SERIES	19-20
RH SERIES	21-22
PSP PSB SERIES	23-24
TC SERIES	25-26
SP SERIES	27-28
PTC SERIES	29-30
LC SERIES	31-32
PS SERIES	33-34

ISO & DIN COUPLERS

IA / IAZ SERIES	35-36
IB / IBZ SERIES	37-38
IAP SERIES	39-40
IAPC SERIES	41-42
P SERIES	43-44
DIN V / DNVZ SERIES	45-46
DIN B / DNBZ SERIES	47-48

GENERAL PURPOSE COUPLERS

HTN SERIES	49-50
F SERIES	51-52
PWC SERIES	53-54
TB SERIES	55-56
PLC SERIES	57-58
KM 115/116 SERIES	59-60

ROTARY COUPLERS

GG90 SERIES	61-62
GGIL SERIES	63-64

SPECIALIST COUPLERS

DTP SERIES	65-66
MP SERIES	67-68
HDB SERIES	69-70
FFC SERIES	71-72

STAINLESS STEEL & BRASS COUPLINGS

HSS SERIES	73-74
IAS SERIES	75-76
IBS SERIES	77-78
SHS SERIES	79-80
PTS SERIES	81-82
PWS SERIES	83-84
SR90 SERIES	85-86
SRIL SERIES	87-88
WSC SERIES	89-90
IBB SERIES	91-92

BALL VALVES

BVC 2 SERIES	93-94
BVC 3 SERIES	95-96

CHECK VALVES

CV SERIES	97-98
-----------	-------

HOSE BURST VALVES

VPC SERIES	99-100
------------	--------

SPECIALIST VALVES

PC SERIES	101-102
-----------	---------

STAINLESS STEEL VALVES

BVS 2 SERIES	103-104
BVS 3 SERIES	105-106
CVS SERIES	107-108

ACCESSORIES

109-110

SAFETY GUIDELINES

111

TECHNICAL INFORMATION

112

INDEX

113

TERMS & CONDITIONS

114



Holmbury Terms & Condition of Sales

1. DEFINITIONS: In these Conditions "Holmbury" shall mean Holmbury Limited., "The Customer" shall mean the person or persons or firm or company to whom any quotation is addressed or with whom any contract is made and "the Goods" shall mean the goods or any part thereof, agreed to be sold as described on the face hereof, and any repaired, replaced or spare part. "The Delivery Date" shall mean the date notified to the Customer by Holmbury under Clause 4 (c) hereof. **2. CONTRACT:** (a) All quotations given and all contracts made by Holmbury are subject to these terms, conditions and exceptions contained herein, and all conditions and exceptions referred to by the Customer or contained in any order, acceptance of estimate or quotation, or otherwise brought to Holmbury's notice are hereby excluded. (B) Quotations issued by Holmbury are not offers capable of acceptance so as to make a binding contract. All orders placed with Holmbury require its acceptance before any contract arises. Any delivery period shall run from the date of such acceptance. (C) No servant or agent of Holmbury has any authority to make any representation, or to give any warranty relating to the Goods or to agree to any variation of, or addition to these conditions, unless such representation, warranty, variation or addition is expressed in writing and signed on behalf of Holmbury by a Director and is incorporated or referred to in Holmbury's quotation or acceptance of order. (D) These conditions, together with any special terms and conditions specified on the quotation or acceptance of order issued by Holmbury and any drawings plans or other documents referred to therein, shall on acceptance by Holmbury of the Customer's order constitute the entire agreement between Holmbury and the Customer to the exclusion of any antecedent or contemporaneous written or oral understandings, agreements or representations in respect of the supply of the Goods. **3. PRICES AND PAYMENT:** (a) All prices quoted in the contract are F.O.B the port of shipment selected by Holmbury or ex Holmbury's warehouse or otherwise as may be specified in Holmbury's quotation or acceptance of order and are those prevailing at the time of the contract, but the prices ruling at the date of delivery shall apply and shall be paid by the Customer. (B) Holmbury may add to the prices quoted in the contract a sum sufficient to compensate Holmbury for any increase in the cost to Holmbury of producing the Goods occurring after the date of the quotation (including, but not limited to increases in the costs of labour, raw materials, bought in parts, transport and overheads) and to preserve Holmbury's profit margin. (C) If work is suspended or slowed down because of the Customer's instructions, lack of instructions or failure to supply specifications or parts, additional charges may be made. (D) Unless the prices quoted in the contract are expressly shown to include Value Added Tax, all prices are subject to the addition of such Tax, where applicable. (E) Unless otherwise agreed in writing with the Customer or stated on the face hereof the price of the Goods shall be paid to Holmbury in full in cash not later than the tenth day of the month following the date of Holmbury's invoice in respect of the Goods. Interest shall be due and payable to Holmbury for late payment at the rate of 6% per annum from the due date of payment of Holmbury's invoice (As well as before any judgement) until payment is actually received by Holmbury. (F) All amounts due to Holmbury in respect of the supply of the Goods shall be paid at the offices of Holmbury Ltd at Premier House, 1 Vale Rise, Tonbridge, Kent TN9 1TB. (G) If where the price payable in respect of the Goods is due otherwise than in advance of or on delivery of the Goods, in the reasonable opinion of Holmbury the credit rating of the Customer becomes unsatisfactory prior to delivery, or if the Customer fails to perform or observe any obligations on his part to be performed or observed under this or any other contract made with Holmbury, Holmbury shall be entitled at its discretion to delay delivery of the Goods until payment therefore is rendered by the Customer or until such obligations are duly performed or observed or by notice in writing to the Customer unilaterally to cancel the contract for the supply of Goods. **4. DELIVERY AND RISKS:** (a) Delivery is to take place F.O.B the port of shipment selected by Holmbury or ex Holmbury's warehouse as may be specified in Holmbury's quotation or acceptance of order, unless otherwise specified by Holmbury and the risks of damage to or destruction of the Goods shall thereupon pass to the Customer. Where delivery is delayed due to any act of the Customer for whatever reason, such risk shall pass on the date on which delivery would have taken place for such act. (B) Any delivery date or delivery period, whether stated in the contract or otherwise notified to the Customer is an estimate only and Holmbury shall not be liable for any loss or damage whatsoever caused by the failure to make delivery on such date or within such period. **5. PROPERTY:** (a) Although risk in Goods shall pass to the Customer, as provided in Clause 4 above, property in the Goods shall not then pass to the Customer but shall remain in Holmbury until the Customer has paid to Holmbury all sums owing or due to Holmbury on any account whatsoever and has duly performed or observed all obligations of whatsoever kind on his part to be performed or observed under this or any other contract made with Holmbury provided that always that the Customer shall indemnify Holmbury against all claims, demands, damages, penalties, costs, expenses or liabilities arising out of or in connection with Holmbury's continued ownership of the Goods. (B) While the Goods remain the property of Holmbury, Holmbury may retake possession of them at any time without notice to the Customer and for this purpose Holmbury may be its servants or agents enter upon any land or premises where it believes the Goods may be. (C) The Customer may sell the Goods and deliver them to the purchaser thereof provide that the Customer does so in the ordinary course of its business. Notwithstanding any agreement or provision for the granting of credit by Holmbury to the Customer, the Customer shall account to Holmbury for the proceeds of such sale, and pending such accounting shall hold such proceeds of sale as fiduciary for Holmbury. If Holmbury so requires, the Customer will assign any debt due from such purchaser to Holmbury. (D) The provision of Clause 5(A), (B) and (C) above shall continue to apply to the Goods notwithstanding any admixture with other Goods or other use or transformation of the Goods by any process of manufacture. **6. STORAGE:** Holmbury shall be entitled to store the Goods, either at their own premises or elsewhere at the Customer's expense in the following circumstances: (A) If the Goods are delivered F.O.B or ex Holmbury's warehouse, where the Customer fails to take delivery on the due date; or (B) If the Goods are delivered by the Customer to a specified place: (i) Where Holmbury is ready to despatch the Goods, but needs delivery instructions and such instructions have not been provided by the Customer; or (ii) Where Holmbury is ready to despatch the Goods and the Customer is or will be unable to accept delivery when tendered. **7. ALTERATIONS AND IMPROVEMENTS:** (a) Holmbury or its sub-contractors may carry out without notice to the Customer alterations or improvements in design, materials, or methods of manufacture from time to time, and may substitute other reasonably similar parts for any proprietary or special part ordered by the Customer, which Holmbury or its sub-contractors considers to be unprocureable, or unprocureable in sufficient quantities or unprocureable in sufficient time or procurable with difficulty or at an excessive cost. (B) Further Holmbury may supersede, materially alter or abandon the design or type of the Goods contracted for, and may substitute another design or type. In exercising this right, Holmbury shall give written notice to the Customer and the Customer may within 14 days after such notice is given, terminate the contract by giving notice to Holmbury. If the contract is so terminated, the deposit, if any, shall be returned to the Customer, but no other claim for loss or damage may be made. (C) If, in the opinion of Holmbury, there is no design or type which could reasonably be substituted under sub-clause (b) of this clause Holmbury's obligation to complete performance or the contract shall be suspended until such time as a substitute therefore can be found and becomes available. **8. LIABILITY FOR DEFECTS:** (a) If any defect is discovered in the Goods within twelve months of their delivery or the date up to which delivery could have been made to the customer, and is shown to be due solely to defective materials or workmanship or to the failure of the Goods to perform in accordance with any plans or specifications referred to in Holmbury's quotation or acceptance of order (subject to customarily accepted tolerance) then Holmbury will at its own option, either repair or replace the defective part or parts of the Goods (or will allow the Customer credit for the price paid in respect of the Goods), and Holmbury will make no charge for any such repair or replacement. These conditions shall apply to repaired or replaced parts. (B) The undertaking given in sub-clause (a) of this clause is subject to the provisions of Clause 9 and 10 below and to the following conditions: (i) That the Customer shall return the defective part or parts of the Goods to Holmbury's works (or to such other place as Holmbury may specify), as soon as after discovery of the defect as is reasonably practicable, and in any event not later than 28 days after discovery of the defect; (ii) That the cost of transporting the defective part or parts of the Goods to and from Holmbury's works shall be paid by the Customer; (iii) That the Customer shall give written notice to Holmbury specifying the nature of the defects in the part or parts of the Goods so returned; (iv) That the Goods had been used and maintained properly and carefully and in accordance with any instruction issued by Holmbury. (C) The undertaking contained in sub-clause (a) does not apply to goods or any part of goods not manufactured by Holmbury. In the case of such goods, Holmbury will use its best endeavours to pass on to the Customer the benefit of any guarantee, condition, warranty or servicing arrangement received by Holmbury from the manufacturer of such goods, but Holmbury shall be under no liability whatsoever, for any defect in such goods. (D) In the case of a part or parts being replaced under the provisions of this clause, the original of such part or parts shall become the property of Holmbury without payment. (E) Save as above provided, Holmbury shall be under no liability by reason of the manufacture, sale or delivery of any goods which do not comply with or have not been made to comply with, the specification or description applicable to this contract, and the Customer accepts Holmbury's obligation above in lieu of any remedy or right he might otherwise have in respect of such delivery, notwithstanding that failure to provide goods which comply with the contract, or which have been made so to comply, be due to negligence on the part of Holmbury, its servants, agent, sub-contractors or others. **9. EXCLUSIONS:** (a) subject to clause 8 hereof, all conditions and warranties in respect of the Goods relating to quality, fitness for purpose, merchantability or otherwise, whether implied by statute or by common law or otherwise, are hereby excluded. (B) Without prejudice to the generality of the foregoing, any warranty or condition as to performance or suitability for any particular purpose of the Goods, and in particular any warrant or condition that the specification design or other details of the Goods will meet any particular requirement of any national or local authority or regulations or bye-laws affecting the same, except as agreed in writing with the customer, in respect of any such requirements regulations or bye-laws notified to Holmbury by the Customer on or before the making of the contract is hereby excluded. **10. PRODUCT LIABILITY AND CONSEQUENTIAL LOSS:** (a) The Customers will, on or before delivery of the Goods as herein provided, if so requested by Holmbury, enter into a written undertaking to take such steps as may be specified to the Customer by Holmbury, and set out in such undertaking relating to the safe and proper use of the Goods, without risk to health. The Customer shall indemnify Holmbury in respect of any liability, monetary penalty, or fine in respect of, or in connection with, the Goods incurred by Holmbury under the Health and Safety at Work Act 1974 or any statutory modification or re-enactment thereof or any regulations orders or directions made thereunder. (B) In no circumstances, whatsoever shall Holmbury be liable in contract or tort or otherwise for any consequential or indirect damage or loss, howsoever caused. **11. DAMAGES:** In the event, Holmbury's liability to the customer in respect of the consequences of any breach or non-performance of this contract however caused or arising, shall be limited to the price of the goods. **12. DRAWINGS, DESCRIPTION, ETC.:** All drawings, photographs, illustrations, specifications, performance data, dimensions, weights and all the like, whether contained in the contract or made by way of representation, have been provided by Holmbury in the belief that they are as accurate as reasonably possible, but they do not constitute a description of the Goods, shall not be taken to be representations made by Holmbury, and are not warranted to be accurate. **13. TERMINATION OF THE CONTRACT:** (a) Without prejudice to any other rights which Holmbury may have, Holmbury shall be entitled, on giving written notice to the Customer, to determine any contract forthwith demand immediate payment of any amount due or accruing due to Holmbury thereunder, and to retain any deposits if any of the following circumstances occur; (i) The Customer, not being a body corporate, becomes bankrupt or compounds or makes any arrangements with his creditors or commits any act of bankruptcy; (ii) The Customer, being a body corporate goes into liquidation whether compulsory or voluntary (save for the purpose of reconstruction or amalgamation) or has a receiver appointed, of its undertaking or assets or any part thereof. (B) On termination of the contract by Holmbury under sub-clause (a) of this clause, Holmbury shall have a general lien over all materials and property belonging to the Customer, which are in the possession of Holmbury for any sum due under, or in connection with, this contract or any other contract. Holmbury shall be entitled to sell such materials or property and to re-sell the Goods. **14. FORCE MAJEURE:** In the event of any delay affecting the performance of this contract by reason of any cause arising from, or attributable to acts, events, the non-occurrence of events, omissions or other accidents or matters beyond the reasonable control of Holmbury, including but not limited to the following matters, whether affecting Holmbury's own operation or those of any supplier, sub-contractor or transport contractor: (i) Strikes, lockouts or any other labour disputes (regardless of the reasonableness of the demands of labour or management's or shortage of labour); (ii) Civil commotion, riots, invasion, war or warlike state (Whether war be declared or not) or the breaking off of diplomatic relations or sabotage; (iii) Fire, explosion, storm, flood, earthquake, fog, subsidence, epidemics; (iv) Voluntary or mandatory compliance with any directions or order of any person having or appearing to have authority of the Government, whether local or national, for defence or other statutory or national purposes; (v) Inability, difficulty or delay in obtaining, or shortages of suitable raw materials, equipment, fuel, power, components or transportation. Holmbury shall be under no liability for loss or injury suffered by the Customer thereby; and the contract shall be suspended during such delay, upon the cessation of the cause of the delay, the contract shall again become operative, provided that, if as a result of such delay, a modification of the terms of the contract or cancellation thereof is requested by one party, and it is reasonable that such modification or cancellation should be made, the contract shall be so modified or cancelled, and the in the case of cancellation a proper proportion of the price shall be paid for any expenditure incurred by Holmbury or any benefit conferred upon the Customer. **15. INDUSTRIAL PROPERTY:** The Customer shall indemnify Holmbury from all claims, demands, damage, penalties, costs, expenses or liability in respect of the infringement of any letters patent, registered design, design copyright, copyright or other industrial property right or breach of confidence (not being a breach by Holmbury), resulting from or arising in the performance of this contract or of any contract in accordance with the terms of this contract. Holmbury does not warrant that the supply or use of the Goods in the United Kingdom or elsewhere is not an infringement of the rights of third parties in industrial property. **16. MISCELLANEOUS:** If any of these conditions, or any part of one of these Conditions is rendered void by any legislation to which it is subject, it shall be void to the extent and no further. If any of these Conditions or any part of one of these Conditions is rendered unenforceable by any legislation to which it is subject, it shall be enforceable to the extent that it is not a fair or reasonable one to be included but no further. **17. LEGAL CONTRACTION:** Unless otherwise agreed in writing, this contract shall in all respects be construed and governed by the Law of England, and the Customer submits to the jurisdiction of the Courts of England.





HOLMBURY

Connect with quality - Connect with Holmbury

Distributor details:



HOLMBURY LTD.

Premier House, 1 Vale Rise
Tonbridge, Kent, TN9 1TB
United Kingdom

Tel: +44 (0) 1732 378912
Fax: +44 (0) 1732 357666
Email: sales@holmbury.com
Web: www.holmbury.com/gb

HOLMBURY INC.

33801 Curtis Blvd, Suite 104
Eastlake, OH 44095
United States of America

Tel: +1 (866) 465-6287
Fax: +1 (440) 578-1073
Email: couplings@holmburyusa.com
Web: www.holmbury.com/us

