

MANUFACTURING CO.
est. 1943



QUALITY POWER
TRANSMISSION PRODUCTS
AND CUSTOM MANUFACTURING



HISTORY

What was started as two brothers (Gus & George Graske) machining parts out of a basement, G&G has developed into a 220,000-square-foot, seven-building operation servicing all of North America. Since 1943, we have kept the high standards and quality workmanship that our customers have grown to trust. Today, G&G produces over 3,500 standard stock components as well as numerous made-to order parts. At G&G, we've stayed at the forefront of modern manufacturing technology with state-of-the-art equipment and an experienced staff. Our customer satisfaction record reflects our commitment to quality products and unwavering service. When it comes to delivering exact specifications, on time and on budget, ***G&G is second to none.***



INDEX



OMAHA, NEBRASKA
(402) 453-9595
1-800-442-6009
FAX (402) 453-1740



EST.
1943

The following pages list G&G Manufacturing Company stock and made to order product lines . All stock items are listed with a stock number. Please use these stock numbers when ordering.

ADAPTERS

Pump Adapters	102
Pump Couplers	102
Splined Shafts	103

COUPLERS/CLUTCHES

Coneflex Couplings	60-61
Coupler Hubs	67
Coupler Sprockets	64-66
Delrin Coupling Chain	67
Double Roller Chain	
Coupler Sprockets NOVA Import	65, 66
In-Line Shears	70
Jaw Clutches	68
Roller Chain Flexible	
Coupler Sprockets	64
SC-X 4" Ratchet Slip Clutches	69
Set Collars	59
Set Collars NOVA Import	59
Shaft Couplers	59
Shaft Couplers NOVA Import	59
Shear Sprockets	69
Torque Limiters	70
Type L-Jaw Couplings NOVA Import	62
Type L-Jaw Buna-N Spider Coupling	
Inserts NOVA Import	63
Type L-Jaw Coupling Rating Chart	63
Type L-Jaw Cross Reference Chart	63

DISPLAYS

Coneflex Couplings	133
Key Stock	132
Light Duty Sheaves	130-131
Light Duty Sheaves NOVA Import	130-131
L-Jaw Couplings Center NOVA Import	133
PTO Repair & Replacement	128-129
Set Collar Center	134
Solid Steel Type A Pulley NOVA Import	132
WELDASPROCKETS®	127
WELDASPROCKETS® NOVA Import	127
WELDASPROCKETS® and	
WELDAPULLEYS®	126
WELDASPROCKETS® and	
WELDAPULLEYS® NOVA Import	126
Wire Rope Pulley	134

ENGINEERING INFORMATION

Bore, Keyway & Set Screw	
Information	188
Mathematical Equations	191
Torque & Horsepower	189
V-Belt Drive Factors	190

JACKS

Heavy Duty Square Tube	
Swivel Jacks	111
High Capacity Jacks	114
Replacement Components	112, 113

MADE TO ORDER PARTS

Flanges	182
Hubs & Bushings	185
Idlers	185
Machined Shafts	184
Pulleys	183
Secondary Mach. Thd. Rod	184
Splined Shafts	186
Sprockets	181, 182 & 186
Spur Gears	187

MACHINING CAPABILITIES

See next page

PTO DRIVELINES & COMPONENTS

Cross Reference Chart	71
Danger Labels	87
Engineering Information	87
Guards and Bearing Kits	82-85
Horsepower Rating Chart	71
Made to Order PTO Drivelines	74
Parts Drawings	75-80
Pin Stop	74
Ready Made PTO Drivelines	72
Shield Stabilizers	85
Snap Hitch Repair Kits	85-86
Universal Replacement Drivelines	
for Dry Fertilizer Spreaders	73
Yoke & Bar Assemblies	81
Yoke & Tube Assemblies	81

PULLEYS

Cast Aluminum	58
Idler	54
Powdered Metal Bushing	
Load Ratings	57
Made To Order	53
Solid Steel Type B	54
Solid Steel Type A NOVA Import	55
Wire Rope	56
WELDAPULLEYS®	51
WELDAPULLEYS® NOVA Import	52

QD SPROCKETS/BUSHINGS

Bushings	48
QD WELDAHUBS®	49
QD Sprockets NOVA Import	41-47
Weld On Adapters	49
QD WELDAHUBS® for "A" Sprkts	50

ROLLER CHAIN

Chain	2
Connector Links	2
Offset Links	2
Roller Chain Specifications	1

SHEAVES & BUSHINGS

Light Duty, A-B Bored	176-177
Light Duty, A-B Bushed	171-172
Light Duty, H Bushings	173
Light Duty, A-B Bored NOVA Import	178
Light Duty, A-B Bushed NOVA Import	179
Light Duty, H Bushings NOVA Import	178
Light Duty, OA Bored	174-175
Light Duty, OA Bushed	169-170
QD Bushings, Data	167-168
QD Conv., A-B Groove	151-158
QD Conv., C Groove	159-166
QD Conv., Groove Dim.	167
QD Super V, 3V Groove	135-140
QD Super V, 5V Groove	141-147
QD Super V, 8V Groove	148-150
QD Super V, Groove Dim.	167
Variable Pitch Light Duty	180

SPROCKETS

Cast Iron	32
Flame Cut for Eng. Chain	27-30
Idler	31
Type A - Stock Bore	25-26
Type B - Finished Bore USA	3-9
Type B - Finished Bore NOVA Import	10-22

SPROCKETS CONT.

Type B - Stock Bore USA	23-24
-------------------------------	-------

Type B - Stock Bore NOVA Import	23-24
WELDASPROCKETS®	32-36
WELDASPROCKETS® NOVA Import	32-36

TUBING, SHAFTING, THREADED ROD

Acme Nuts	110
Acme Rod	110
Hexagon Shafting	104
Keyed Shafting	106-107
Key Stock	108
National Coarse Thread Rod	109
Non Stock Rolled Threads	109
PTO Torque Tubing	104
Rectangular Shafting	104
Rectangular Tubing	104
Round Repair Tubing	105
Round Shafting	105
Square Shafting	104
Square Tubing	104
U-Bolts	109

UNIVERSAL JOINTS AND YOKES

Bar Weld Yokes	92
Block & Pin U-Joints NOVA Import	90
Clamp Yokes	96
Collar Snap Hitch Yokes	93
Complete U-Joints	89-90
Cross Reference Chart	88
Double Key Yoke	97
Hexagon Bore Yokes	96
Horsepower Rating Chart	83
Pin Snap Hitch Yokes	93
Pin Snap Hitch Shear Yokes	95
PTO Shear Yokes	94
Repair Kits	98
Round Bore Yokes	91
Shear Pin Yokes	95
Slip Sleeves	98
Slip Sleeves Yokes	97
Spline Bore Yokes	96
Square Bore Yokes	97
Tarp U-Joints NOVA Import	90
Torque Tube Weld Yokes	92
Tube Weld Yokes	92
WELDAJOINTS®	99
WELDAJOINT® Bushings	99-101

WELDAHUBS®

Dbl., Idler, & OEM Hub Dimensions	40
Double Hubs	38
Double Pulley Hubs	38
Idler Hubs	38
Split Lock Hubs	39
OEM Weld On Hubs	39
WELDAHUBS®	37-38
WELDAHUB® Dimensions	40
WELDAHUBS® NOVA Import	37-38

WHEEL HUB ASSEMBLIES

Spindle Assemblies	122
Spindle Components	125
Wheel Hub Assemblies	115-121
Wheel Hub Components	123-124

CATALOG NO. 2017 - v1



OMAHA, NEBRASKA
(402) 453-9595
1-800-442-6009
FAX (402) 453-1740

MACHINING CAPABILITIES

G&G Manufacturing has supported the power transmission industry since 1943. The following equipment is available for contract manufacturing of your made-to-order parts.

- 15 Six Spindle Automatic Screw Machines with bar capacity up to 4" diameter
- 4 Five and Six Spindle Automatic Chucking Machines
- 13 CNC Turning Centers up to 40" Chuck up to 50" Swing Capacity
- 4 CNC Turning Centers with Automatic Bar-feed capabilities up to 4" diameter bar
- 1 CNC Turning Center, with live tooling, including Gear Hobbing capabilities, Automatic Barfeeder up to 3.5" diameter bar, and up to 15" chucking capability
- 4 CNC Vertical and Horizontal Machining Centers
- 1 Horizontal Boring Mill 63"X68"X78" Capacity
- 1 Vertical Turning Center with 50" swing, 42" turning diameter, 37" max height with live tooling
- 13 Mig & Submerged Arc Programmable Welding Machines
- 7 Automated Drill & Tap Machines
- 2 Natco Multi Spindle Drilling Machines
- 1 Two Station Lead Screw Nut Tapping Machine
- 4 Thread Rollers up to 4" diameter
- 1 High Speed Impact Cutoff Shear
- NC Controlled Plasma/Oxygen, Acetylene

Flame Cutting System with 4 Torch Heads.
Table size 240" x 84"

- 4 Blanchard Grinders for Large and Small Flat Down Grinding, Working Diameters are 36", 42", 72" and 120" working height up to 42"
- 1 Programmable Roller Chain Splitter
- 2 Diacro Bending Machines
- 21 Gear Hobbing Machines for Sprockets, Gears, and Spline Shafts – Max OD 60"
- 2 Induction Heat Treating Machines 75 KW
- 1 Carbonization/Heat Treat Furnace (2000-lb. capacity)
- 1 Horizontal and 5 Multi Pull Vertical Broaching Machines
- 2 Large Capacity Roto Bead Blasters
- 1 Media De-Burring Tumbler
- 1 Wet Paint Line
- 6 Assembly Presses
- 5 Punch Presses up to 200 ton capacity, with Coil Feed capabilities
- 1 Programmable Black Oxide System
- 6 Metal Cutting Band Saws, capacity up to 15" tall by 48" wide
- 6 Conventional Lathes up to 24" Turning diameter
- Sharpening Equipment for Hobb Cutters, Broaches, Drills, End Mills, Shear Blades,

Support:

- Written Quality Control Manual
- Experienced, Trained and Tested Personnel
- Finite Analysis (Engineering Software)
- CAD/CAM Programming Systems
- CMM
- Optical Comparator
- Vast Inventory of Certified QC Measuring Tools



CATALOG
2017 - v1

TERMS AND CONDITIONS OF SALE



OMAHA, NEBRASKA
(402) 453-9595
1-800-442-6009
FAX (402) 453-1740

POSSESSION OF THIS CATALOG IS NOT AN OFFER TO SELL

PRICING TERMS:

Pricing and payment terms are set forth in separate price lists and discount schedules.

SHIPPING TERMS:

Standard freight terms are F.O.B. shipping point, on customer specified carrier. Any item out of stock at time of shipment will be canceled, unless otherwise specified by customer at time of order.

Weights shown in this catalog for individual items are listed in pounds. They are approximate and should be used for weight estimation purposes only. The actual weight of each order will be shown at time of shipment.

All shipping promises are made in good faith. If for any reason a shipment should be delayed, due to our fault or otherwise, G&G Manufacturing Company will not be liable for any damages or charges resulting from the delay.

The responsibility of G&G Manufacturing Company ends upon delivery of our products to any transportation company. We are not liable for loss or damage after delivery. All claims for damages or shortages are to be made with the carrier.

Shipping containers may be invoiced with merchandise.

UPC BAR CODING:

UPC Bar Coding is available on stock items throughout this catalog upon customer request. Specify if UPC Bar Coding is needed on each stock order placed.

MADE TO ORDER ITEMS:

Non stock made to order items are subject to a production run of plus or minus 7% of the actual quantity ordered.

A production print must be signed for approval before manufacturing will begin on the first run of any made to order item.

Orders for made to order items are non-cancelable and non-returnable.

RETURN GOODS POLICY:

No item may be returned without a Return Goods Authorization (RGA) Number issued by G&G Manufacturing Company.

Stock items may be returned during the month of February only. Products returned for overstock during February must be in good condition, not used and ready for resale. A restocking charge of 25% will be deducted from any credit issued. Credit is issued at the last purchased price for each stock item. Restocking fee is waived with an offsetting order double the value of returned parts. Non stock made to order items may not be returned for credit.

G&G Manufacturing Company products are warranted against defects in material and workmanship. Warranty returns are accepted throughout the year, with proper authorization. Credit is not issued for warranty returns. The product is replaced at no charge. Warranty does not apply to any item which has been subject to accident, alteration, abuse, misuse or improper maintenance.

WAREHOUSE LOCATIONS: Companies on account with G&G Manufacturing Company may also order from the following Warehouse locations as alternate local sources to our Omaha warehouse for immediate delivery:

Clifford Sales Agency
155 Mathews Drive
Senatobia, MS 38668
Phone: (662) 562-4949
Fax: (662) 562-6210

Brandon Company
790 West 1760 So. #4
Salt Lake City, Utah 84104
Phone: (801) 487-2231
Fax: (801) 485-1521

ASSOCIATION MEMBERSHIPS:





OMAHA, NEBRASKA
(402) 453-9595
1-800-442-6009
FAX (402) 453-1740

SECTION INDEX

Connector Links	2
Offset Links	2
Roller Chain-10' Boxes.....	2
Roller Chain-Reels.....	2
Roller Chain Specifications	1

WWW.GGMFG.COM

Toll Free

(800) 442-6009



**CATALOG
2017 - v1**

**UPC Bar Coding is available on stock items
upon customer request.**

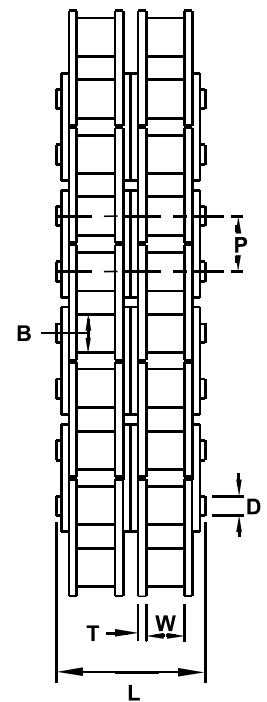
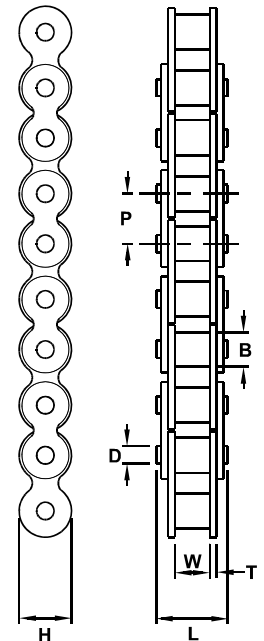
ROLLER CHAIN SPECIFICATIONS



OMAHA, NEBRASKA
(402) 453-9595
1-800-442-6009

Manufactured to ANSI Standards

Chain No.	Pitch P	Roller		Pin		Link Plate		Tensile Strength Lbs.	Wt. Lbs./Ft.
		B	W	D	L	T	H		
35*	3/8	.200	3/16	.141	.500	.050	.350	2100	.21
41	1/2	.306	1/4	.141	.578	.050	.383	2000	.25
40	1/2	.312	5/16	.156	.695	.060	.466	3700	.42
50	5/8	.400	3/8	.200	.855	.080	.584	6100	.69
60	3/4	.468	1/2	.234	1.081	.094	.700	8500	1.00
80	1	.625	5/8	.312	1.378	.125	.934	14500	1.71
100	1-1/4	.750	3/4	.375	1.701	.156	1.166	24000	2.58
120	1-1/2	.875	1	.437	2.130	.187	1.400	34000	3.87
140	1-3/4	1.000	1	.500	2.274	.219	1.634	46000	4.95
160	2	1.125	1-1/4	.562	2.712	.250	1.866	58000	6.61
200	2-1/2	1.562	1-1/2	.781	3.337	.312	2.250	95000	10.96
50H	5/8	.400	3/8	.200	.922	.094	.571	7500	.80
60H	3/4	.468	1/2	.234	1.185	.125	.700	8500	1.22
80H	1	.625	5/8	.312	1.504	.156	.934	14500	2.03
35-2	3/8	.200	3/16	.141	.900	.050	.350	4200	.40
40-2	1/2	.312	5/16	.156	1.259	.060	.466	7400	.82
50-2	5/8	.400	3/8	.200	1.585	.080	.584	12200	1.36
60-2	3/4	.468	1/2	.234	1.985	.094	.700	17000	1.99
80-2	1	.625	5/8	.312	2.536	.125	.934	29000	3.40
100-2	1-1/4	.750	3/4	.375	3.107	.156	1.166	48000	5.10
120-2	1-1/2	.875	1	.437	3.921	.187	1.400	68000	7.65
140-2	1-3/4	1.000	1	.500	4.207	.219	1.634	92000	9.80
160-2	2	1.125	1-1/4	.562	5.039	.250	1.866	115000	13.10
A2040	1	.312	5/16	.156	.630	.060	.466	3700	.30
A2050	1-1/4	.400	3/8	.200	.790	.080	.584	6100	.50
A2060	1-1/2	.468	1/2	.234	.990	.094	.700	8500	.70
100C	1-1/4	.750	3/4	.375	1.701	.156	1.166	24000	2.58
120C	1-1/2	.875	1	.437	2.130	.187	1.400	34000	3.87
140C	1-3/4	1.000	1	.500	2.274	.219	1.634	46000	4.95
160C	2	1.125	1-1/4	.562	2.712	.250	1.866	58000	6.61
200C	2-1/2	1.562	1-1/2	.781	3.337	.312	2.250	95000	10.96
100C-2	1-1/4	.750	3/4	.375	3.107	.156	1.166	48000	5.10
120C-2	1-1/2	.875	1	.437	3.921	.187	1.400	68000	7.65
140C-2	1-3/4	1.000	1	.500	4.207	.219	1.634	92000	9.80
160C-2	2	1.125	1-1/4	.562	5.039	.250	1.866	115000	13.10



G&G Manufacturing Company roller chain is not rated for use on motorcycles or similar applications.

* #35 roller chain has a roller less bushing.

Stock in 10' sections and various length reels.
Cut to length pieces available by quotation.

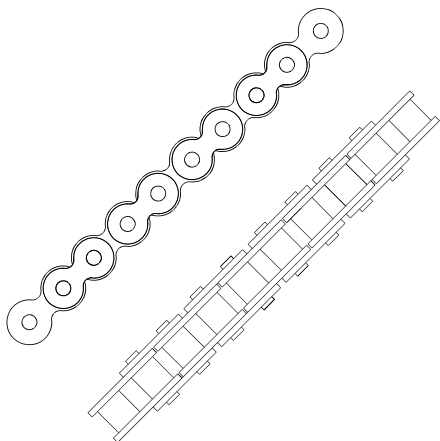


OMAHA, NEBRASKA
 (402) 453-9595
 1-800-442-6009
 FAX (402) 453-1740

ROLLER CHAIN

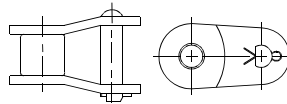
10' Boxes

Stock No.	Description	Wt. Lbs.
170-0035	#35 CHAIN 10'	2.10
170-0040	#40 CHAIN 10'	4.20
170-0041	#41 CHAIN 10'	2.50
170-0050	#50 CHAIN 10'	6.90
170-0060	#60 CHAIN 10'	10.00
170-0080	#80 CHAIN 10'	17.10
170-0100	#100 CHAIN 10'	25.80
170-0120	#120 CHAIN 10'	38.70
170-0140	#140 CHAIN 10'	49.50
170-0160	#160 CHAIN 10'	66.10
170-0200	#200 CHAIN 10'	109.60
170-050H	#50 HEAVY 10'	8.00
170-060H	#60 HEAVY 10'	12.20
170-080H	#80 HEAVY 10'	20.30
170-2-35	#35 DOUBLE 10'	4.00
170-2-40	#40 DOUBLE 10'	8.20
170-2-50	#50 DOUBLE 10'	13.60
170-2-60	#60 DOUBLE 10'	19.90
170-2-80	#80 DOUBLE 10'	34.00
170-2100	#100 DOUBLE 10'	51.00
170-2120	#120 DOUBLE 10'	76.50
170-2140	#140 DOUBLE 10'	98.00
170-2160	#160 DOUBLE 10'	131.00
170A2040	#A2040 CHAIN 10'	3.00
170A2050	#A2050 CHAIN 10'	5.00
170A2060	#A2060 CHAIN 10'	7.00
170C0100	#100C CHAIN 10'	25.80
170C0120	#120C CHAIN 10'	38.70
170C0140	#140C CHAIN 10'	49.50
170C0160	#160C CHAIN 10'	66.10
170C0200	#200C CHAIN 10'	109.60
170C1002	#100C DOUBLE 10'	51.00
170C1202	#120C DOUBLE 10'	76.50
170C1402	#140C DOUBLE 10'	98.00
170C1602	#160C DOUBLE 10'	131.00



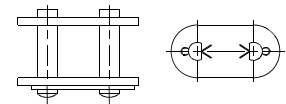
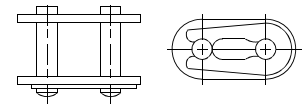
Reels

Stock No.	Description Feet per Reel	Wt. Lbs.
169-0035	#35 250'/REEL	52.50
169-0040	#40 100'/REEL	42.00
169-0041	#41 250'/REEL	62.50
169-0050	#50 100'/REEL	69.00
169-0060	#60 100'/REEL	100.00
169-0080	#80 50'/REEL	85.50
169-0100	#100 50'/REEL	129.00
169-060H	#60 HEAVY 50'/REEL	61.00
169A2040	#A2040 100'/REEL	30.00
169A2050	#A2050 100'/REEL	50.00
169A2060	#A2060 100'/REEL	70.00



Connector Links

Stock No.	Size	Wt. Lbs.
171-0035	#35	.01
171-0040	#40	.02
171-0041	#41	.02
171-0050	#50	.04
171-0060	#60	.06
171-0080	#80	.14
171-0100	#100*	.27
171-0120	#120*	.48
171-0140	#140*	.71
171-0160	#160*	1.10
171-0200	#200*	2.31
171-050H	#50HEAVY	.06
171-060H	#60 HEAVY	.09
171-080H	#80 HEAVY	.21
171-2-35	#35 DOUBLE	.02
171-2-40	#40 DOUBLE	.04
171-2-50	#50 DOUBLE	.08
171-2-60	#60 DOUBLE	.12
171-2-80	#80 DOUBLE	.14
171-2100	#100 DOUBLE*	.54
171-2120	#120 DOUBLE*	.96
171-2140	#140 DOUBLE*	1.40
171-2160	#160 DOUBLE*	2.20
171A2040	#A2040	.03
171A2050	#A2050	.05
171A2060	#A2060	.09



Offset Links

Stock No.	Size	Wt. Lbs.
172-0035	#35	.01
172-0040	#40	.02
172-0041	#41	.02
172-0050	#50	.04
172-0060	#60	.06
172-0080	#80	.14
172-0100	#100	.27
172-0120	#120	.48
172-0140	#140	.71
172-0160	#160	1.10
172-0200	#200	2.31
172-050H	#50HEAVY	.06
172-060H	#60 HEAVY	.09
172-080H	#80 HEAVY	.21
172-2-35	#35 DOUBLE	.02
172-2-40	#40 DOUBLE	.04
172-2-50	#50 DOUBLE	.08
172-2-60	#60 DOUBLE	.12
172-2-80	#80 DOUBLE	.14
172-2100	#100 DOUBLE	.54
172-2120	#120 DOUBLE	.96
172-2140	#140 DOUBLE	1.40
172-2160	#160 DOUBLE	2.20
172A2040	#A2040	.03
172A2050	#A2050	.05
172A2060	#A2060	.09

SECTION INDEX



OMAHA, NEBRASKA
(402) 453-9595
1-800-442-6009
FAX (402) 453-1740

Cast Iron Sprockets	32
Flame Cut Sprockets for Engineering Chains ..	27-30
Idler Sprockets	31
Type A-Stock Bore Sprockets Nova Import.....	25-26
Type B-Finished Bore Sprockets USA.....	3-9
No. 35 Chain	3
No. 41 Chain	4
No. 40 Chain	5
No. 50 Chain	6
No. 60 Chain	7
No. 80 Chain	8
No. 100 Chain	9
Type B-Finished Bore Sprockets NOVA Import	10-22
No. 35 Chain	10
No. 40 Chain	11-13
No. 50 Chain	14-16
No. 60 Chain	17-20
No. 80 Chain	21-22
Type B-Stock Bore Sprockets	
Made in USA and NOVA Import	23-24
WELDASPROCKETS®	32-36
Hardened Tooth	36
Implement Chain	32
No. 35 Chain NOVA Import.....	33
No. 41 Chain NOVA Import	33
No. 40 Chain USA and NOVA Import.....	33
No. 50 Chain USA and NOVA Import.....	34-35
No. 60 Chain USA and NOVA Import.....	34-35
No. 80 Chain USA and NOVA Import.....	34-35
No. 100 Chain USA	35
Welding Instructions.....	36



CATALOG
2017 - v1

**UPC Bar Coding is available on stock items
upon customer request.**

ROLLER CHAIN SPROCKETS STANDARD NON STOCK



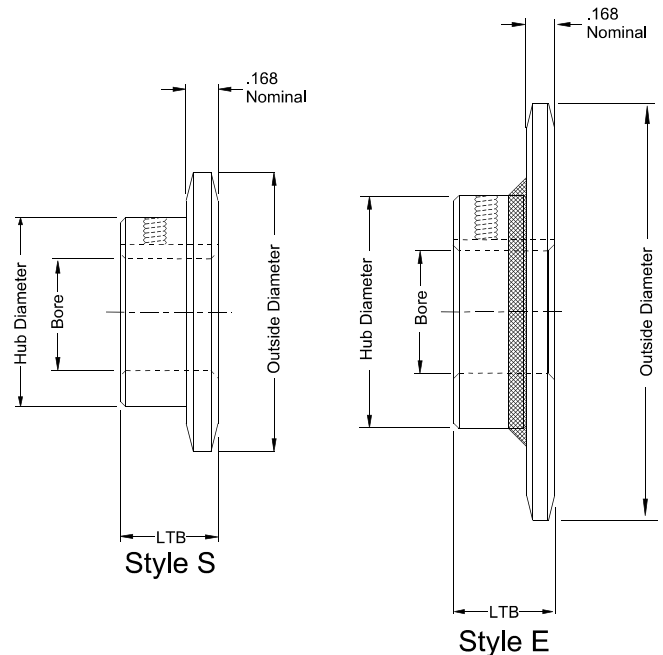
OMAHA, NEBRASKA
(402) 453-9595
1-800-442-6009
FAX (402) 453-1740

No. 35 - 3/8" Pitch

PRICED BY QUOTATION

Type B

No. Teeth	Sprocket No.	Max. Bore ^{^^}	Outside Dia.	Hub		Style
				Dia.	LTB	
10	35B10	1/2	1.379	1*	3/4	S
11	35B11	9/16	1.502	1-1/16*	3/4	S
12	35B12	5/8	1.625	1-7/32*	3/4	S
13	35B13	11/16	1.746	1-1/8	3/4	S
14	35B14	13/16	1.868	1-1/4	3/4	S
15	35B15	7/8	1.989	1-3/8	3/4	S
16	35B16	15/16	2.110	1-1/2	3/4	S
17	35B17	1-1/16	2.231	1-5/8	3/4	S
18	35B18	1-3/16	2.352	1-3/4	3/4	S
19	35B19	1-1/4	2.472	1-13/16	3/4	S
20	35B20	1-5/16	2.593	1-15/16	7/8	S
21	35B21	1-7/16	2.713	2-1/16	7/8	S
22	35B22	1-9/16	2.833	2-3/16	7/8	S
23	35B23	**	2.953	**	7/8	E
24	35B24	**	3.074	**	7/8	E
25	35B25	**	3.194	**	7/8	E
26	35B26	**	3.314	**	7/8	E
27	35B27	**	3.434	**	7/8	E
28	35B28	**	3.553	**	7/8	E
29	35B29	**	3.673	**	7/8	E
30	35B30	**	3.793	**	7/8	E
32	35B32	**	4.032	**	7/8	E
35	35B35	**	4.392	**	7/8	E
36	35B36	**	4.511	**	7/8	E
40	35B40	**	4.990	**	7/8	E
45	35B45	**	5.588	**	7/8	E
48	35B48	**	5.946	**	7/8	E
54	35B54	**	6.664	**	7/8	E
60	35B60	**	7.381	**	7/8	E
72	35B72	**	8.814	**	7/8	E
84	35B84	**	10.247	**	7/8	E
96	35B96	**	11.680	**	7/8	E



Sprockets can be quoted in various bore sizes or styles with non standard or timed keyways and hardened teeth (hardness will be Rockwell "C" 35-45). Bore sizes and hub diameters larger than the standards specified are available. Specify requirements when quoting or ordering.

Welded construction (Style E) sprockets can be produced as solid construction. We can manufacture any of the sizes shown as multi-strand sprockets, or we have tooling to make larger single or multi-strand sprockets up to 48" in diameter.

SEND YOUR INQUIRIES

Chain Data	
Size	#35
Pitch	3/8"
Roller Width	3/16"
Roller Diameter	.200

* Has recessed groove in hub for chain clearance.

^{^^}Maximum bore sizes shown allow for standard keyway and set screw over keyway. Slightly larger bores are available with no keyway, shallow keyway, or setscrew at 90 degrees to keyway.

** Hub O.D. to be determined by bore size and chain clearance.

Manufactured in the USA by G&G Manufacturing Co.



OMAHA, NEBRASKA
(402) 453-9595
1-800-442-6009
FAX (402) 453-1740

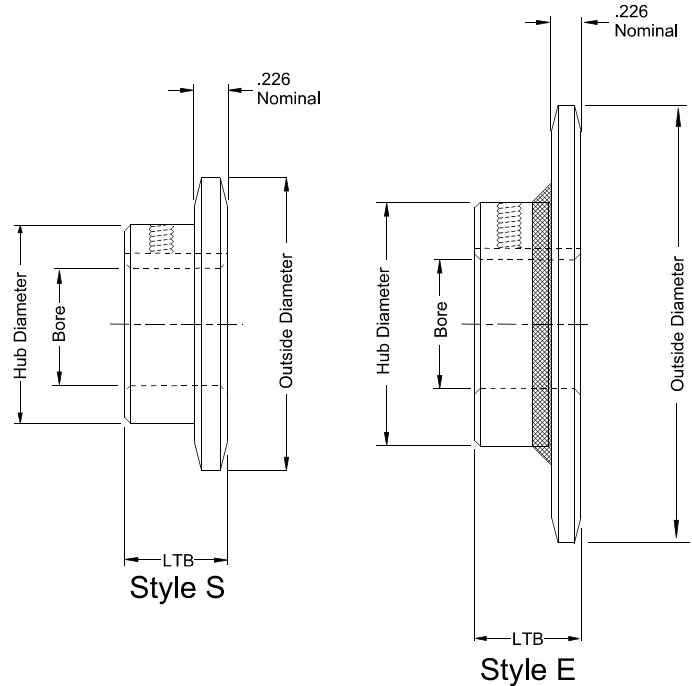
ROLLER CHAIN SPROCKETS STANDARD NON STOCK

No. 41 - 1/2" Pitch

PRICED BY QUOTATION

Type B

No. Teeth	Sprocket No.	Max. Bore ^{^^}	Outside Dia.	Hub		Style
				Dia.	LTB	
9	41B9	5/8	1.674	1-1/8*	7/8	S
10	41B10	3/4	1.839	1-1/4*	7/8	S
11	41B11	7/8	2.003	1-7/16*	7/8	S
12	41B12	1	2.166	1-5/8*	7/8	S
13	41B13	1-1/8	2.329	1-3/4*	7/8	S
14	41B14	1-3/16	2.491	1-11/16	7/8	S
15	41B15	1-1/4	2.653	1-7/8	7/8	S
16	41B16	1-3/8	2.814	2	7/8	S
17	41B17	1-1/2	2.975	2-1/8	7/8	S
18	41B18	1-5/8	3.136	2-5/16	7/8	S
19	41B19	1-3/4	3.297	2-1/2	7/8	S
20	41B20	1-7/8	3.457	2-5/8	1	S
21	41B21	2-1/4	3.618	2-3/4	1	S
22	41B22	2-1/4	3.778	2-3/4	1	S
23	41B23	2-1/4	3.938	2-3/4	1	S
24	41B24	**	4.098	**	1	E
25	41B25	**	4.258	**	1	E
26	41B26	**	4.418	**	1	E
27	41B27	**	4.578	**	1	E
28	41B28	**	4.738	**	1	E
29	41B29	**	4.898	**	1	E
30	41B30	**	5.057	**	1	E
32	41B32	**	5.377	**	1	E
35	41B35	**	5.856	**	1	E
36	41B36	**	6.015	**	1	E
40	41B40	**	6.653	**	1	E
42	41B42	**	6.972	**	1	E
45	41B45	**	7.451	**	1	E
48	41B48	**	7.927	**	1	E
54	41B54	**	8.885	**	1	E
60	41B60	**	9.841	**	1	E
70	41B70	**	11.434	**	1	E
72	41B72	**	11.752	**	1	E



Sprockets can be quoted in various bore sizes or styles with non standard or timed keyways and hardened teeth (hardness will be Rockwell "C" 35-45). Bore sizes and hub diameters larger than the standards specified are available. Specify requirements when quoting or ordering.

Welded construction (Style E) sprockets can be produced as solid construction. We can manufacture any of the sizes shown as multi-strand sprockets, or we have tooling to make larger single or multi-strand sprockets up to 48" in diameter.

SEND YOUR INQUIRIES

Chain Data	
Size	#41
Pitch	1/2
Roller Width	1/4
Roller Diameter	.306

*Has recessed groove in hub for chain clearance.

^{^^}Maximum bore sizes shown allow for standard keyway and set screw over keyway. Slightly larger bores are available with no keyway, shallow keyway, or setscrew at 90 degrees to keyway.

** Hub O.D. to be determined by bore size and chain clearance.

ROLLER CHAIN SPROCKETS STANDARD NON STOCK

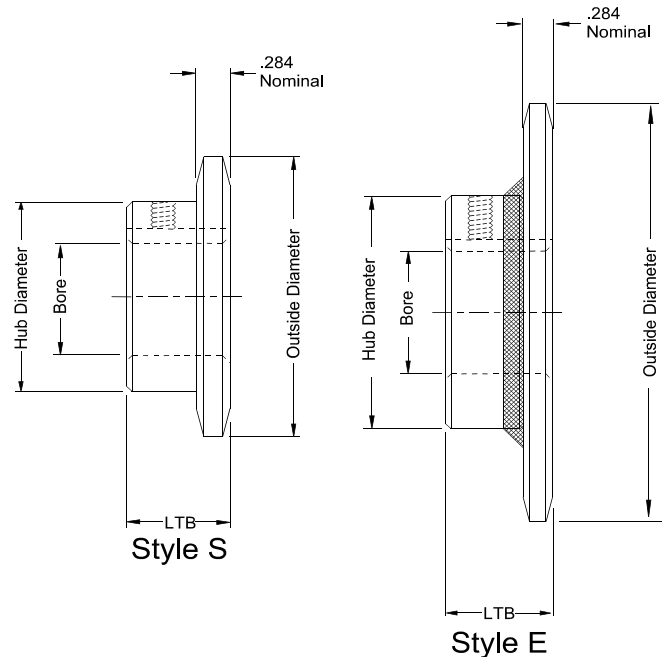


OMAHA, NEBRASKA
(402) 453-9595
1-800-442-6009
FAX (402) 453-1740

No. 40 - 1/2" Pitch

Type B PRICED BY QUOTATION

No Teeth	Sprocket No.	Max Bore^^	Outside Dia.	Hub		Style
				Dia.	LTB	
9	40B9	5/8	1.674	1-1/8*	7/8	S
10	40B10	3/4	1.839	1-1/4*	7/8	S
11	40B11	7/8	2.003	1-7/16*	7/8	S
12	40B12	1	2.166	1-5/8*	7/8	S
13	40B13	1-1/8	2.329	1-3/4*	7/8	S
14	40B14	1-3/16	2.491	1-11/16	7/8	S
15	40B15	1-1/4	2.653	1-7/8	7/8	S
16	40B16	1-3/8	2.814	2	7/8	S
17	40B17	1-1/2	2.975	2-1/8	7/8	S
18	40B18	1-5/8	3.136	2-19/64	7/8	S
19	40B19	1-3/4	3.297	2-1/2	7/8	S
20	40B20	1-7/8	3.457	2-5/8	1	S
21	40B21	2-1/4	3.618	2-3/4	1	S
22	40B22	2-1/4	3.778	2-3/4	1	S
23	40B23	2-1/4	3.938	2-3/4	1	S



24	40B24	**	4.098	**	1	E
25	40B25	**	4.258	**	1	E
26	40B26	**	4.418	**	1	E
27	40B27	**	4.578	**	1	E
28	40B28	**	4.738	**	1	E
29	40B29	**	4.898	**	1	E
30	40B30	**	5.057	**	1	E
32	40B32	**	5.377	**	1	E
35	40B35	**	5.856	**	1	E
36	40B36	**	6.015	**	1	E
38	40B38	**	6.334	**	1	E
40	40B40	**	6.653	**	1	E
42	40B42	**	6.972	**	1	E
45	40B45	**	7.451	**	1	E
46	40B46	**	7.609	**	1	E
48	40B48	**	7.927	**	1-1/8	E
54	40B54	**	8.885	**	1-1/8	E
60	40B60	**	9.841	**	1-1/8	E
70	40B70	**	11.434	**	1-1/8	E
72	40B72	**	11.752	**	1-1/8	E
80	40B80	**	13.026	**	1-1/4	E
84	40B84	**	13.663	**	1-1/4	E
96	40B96	**	15.573	**	1-1/4	E

*Has recessed groove in hub for chain clearance.

^^Maximum bore sizes shown allow for standard keyway and set screw over keyway. Slightly larger bores are available with no keyway, shallow keyway, or setscrew at 90 degrees to keyway.

** Hub O.D. to be determined by bore size and chain clearance.

Sprockets can be quoted in various bore sizes or styles with non standard or timed keyways and hardened teeth (hardness will be Rockwell "C" 35-45). Bore sizes and hub diameters larger than the standards specified are available. Specify requirements when quoting or ordering.

Welded construction (Style E) sprockets can be produced as solid construction. We can manufacture any of the sizes shown as multi-strand sprockets, or we have tooling to make larger single or multi-strand sprockets up to 48" in diameter.

SEND YOUR INQUIRIES

Chain Data	
Size	#40
Pitch	1/2
Roller Width	5/16
Roller Diameter	.312



OMAHA, NEBRASKA
 (402) 453-9595
 1-800-442-6009
 FAX (402) 453-1740

ROLLER CHAIN SPROCKETS STANDARD NON STOCK

No. 50 - 5/8" Pitch

Type B

PRICED BY QUOTATION

No. Teeth	Sprocket No.	Max. Bore ^{^^}	Outside Dia.	Hub		Style
				Dia.	LTB	
9	50B9	11/16	2.092	1-3/8*	1	S
10	50B10	7/8	2.299	1-19/32*	1	S
11	50B11	1	2.504	1-25/32*	1	S
12	50B12	1-1/8	2.708	2*	1	S
13	50B13	1-5/16	2.911	2-3/16*	1	S
14	50B14	1-7/16	3.114	2-1/8	1	S
15	50B15	1-5/8	3.316	2-1/4	1	S
16	50B16	1-3/4	3.517	2-1/2	1	S
17	50B17	1-7/8	3.719	2-11/16	1	S
18	50B18	2-1/16	3.919	2-7/8	1	S
19	50B19	**	4.121	**	1	E
20	50B20	**	4.321	**	1-1/8	E
21	50B21	**	4.521	**	1-1/8	E
22	50B22	**	4.722	**	1-1/8	E
23	50B23	**	4.922	**	1-1/8	E
24	50B24	**	5.123	**	1-1/8	E
25	50B25	**	5.323	**	1-1/8	E
26	50B26	**	5.523	**	1-1/8	E
27	50B27	**	5.723	**	1-1/8	E
28	50B28	**	5.922	**	1-1/8	E
29	50B29	**	6.122	**	1-1/8	E
30	50B30	**	6.321	**	1-1/8	E
31	50B31	**	6.521	**	1-1/8	E

No. Teeth	Sprocket No.	Max. Bore ^{^^}	Outside Dia.	Hub		Style
				Dia.	LTB	
32	50B32	**	6.721	**	1-1/8	E
33	50B33	**	6.920	**	1-1/8	E
34	50B34	**	7.120	**	1-1/8	E
35	50B35	**	7.319	**	1-1/8	E
36	50B36	**	7.519	**	1-1/8	E
37	50B37	**	7.718	**	1-1/8	E
38	50B38	**	7.918	**	1-1/8	E
39	50B39	**	8.117	**	1-1/8	E
40	50B40	**	8.316	**	1-5/16	E
41	50B41	**	8.516	**	1-5/16	E
42	50B42	**	8.715	**	1-5/16	E
43	50B43	**	8.914	**	1-5/16	E
44	50B44	**	9.114	**	1-5/16	E
45	50B45	**	9.313	**	1-5/16	E
48	50B48	**	9.911	**	1-5/16	E
50	50B50	**	10.309	**	1-5/16	E
52	50B52	**	10.708	**	1-5/16	E
54	50B54	**	11.106	**	1-5/16	E
60	50B60	**	12.306	**	1-5/16	E
65	50B65	**	13.296	**	1-5/16	E
70	50B70	**	14.292	**	1-5/16	E
72	50B72	**	14.690	**	1-5/16	E
80	50B80	**	16.283	**	1-5/16	E
84	50B84	**	17.079	**	1-5/16	E
96	50B96	**	19.466	**	1-5/16	E

* Has recessed groove in hub for chain clearance.

^{^^}Maximum bore sizes shown allow for standard keyway and set screw over keyway. Slightly larger bores are available with no keyway, shallow keyway, or setscrew at 90 degrees to keyway.

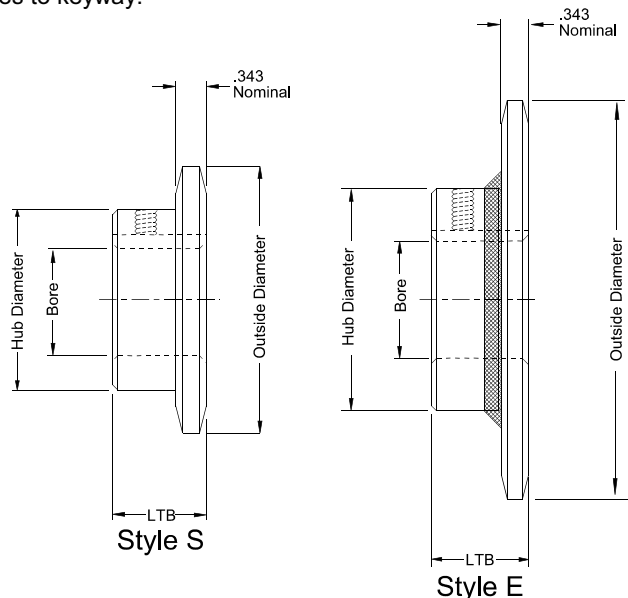
** Hub O.D. to be determined by bore size and chain clearance.

Sprockets can be quoted in various bore sizes or styles with non standard or timed keyways and hardened teeth (hardness will be Rockwell "C" 35-45). Bore sizes and hub diameters larger than the standards specified are available. Specify requirements when quoting or ordering.

Welded construction (Style E) sprockets can be produced as solid construction. We can manufacture any of the sizes shown as multi-strand sprockets, or we have tooling to make larger single or multi-strand sprockets up to 48" in diameter.

SEND YOUR INQUIRIES

Chain Data	
Size	#50
Pitch	5/8"
Roller Width	3/8"
Roller Diameter	.400



Manufactured in the USA by G&G Manufacturing Co.

Sprockets

ROLLER CHAIN SPROCKETS STANDARD NON STOCK



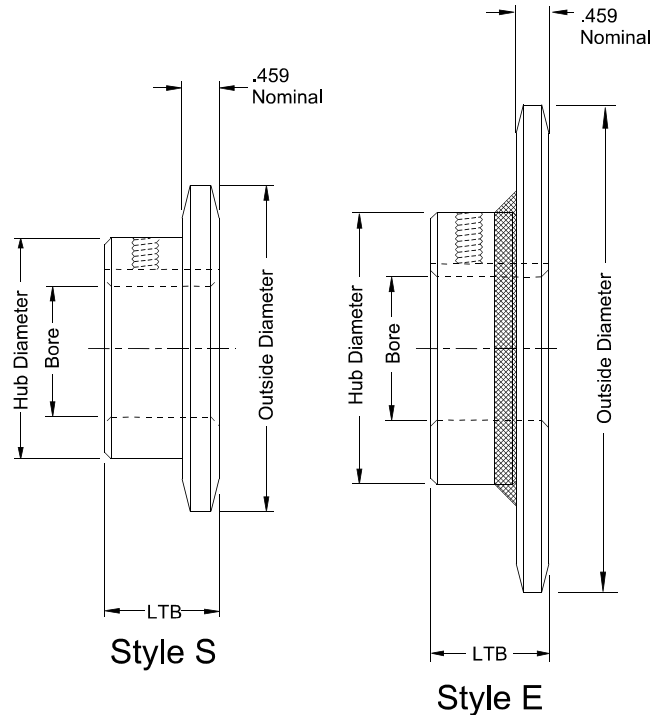
OMAHA, NEBRASKA
(402) 453-9595
1-800-442-6009
FAX (402) 453-1740

No. 60 - 3/4" Pitch

Type B PRICED BY QUOTATION

No. Teeth	Sprocket No.	Max. Bore ^{^^}	Outside Dia.	Hub		Style
				Dia	LTB	
9	60B9	7/8	2.510	1-11/16*	1-1/4	S
10	60B10	1	2.759	1-15/16*	1-1/4	S
11	60B11	1-1/4	3.005	2-1/8*	1-1/4	S
12	60B12	1-3/8	3.249	2-3/8*	1-1/4	S
13	60B13	1-1/2	3.493	2-1/4	1-1/4	S
14	60B14	1-3/4	3.736	2-1/2	1-1/4	S
15	60B15	1-15/16	3.979	2-5/8	1-1/4	S
16	60B16	**	4.220	**	1-7/16	E
17	60B17	**	4.463	**	1-7/16	E
18	60B18	**	4.703	**	1-7/16	E
19	60B19	**	4.945	**	1-7/16	E
20	60B20	**	5.186	**	1-7/16	E
21	60B21	**	5.426	**	1-7/16	E
22	60B22	**	5.666	**	1-7/16	E
23	60B23	**	5.906	**	1-7/16	E
24	60B24	**	6.147	**	1-7/16	E
25	60B25	**	6.387	**	1-7/16	E
26	60B26	**	6.627	**	1-7/16	E
27	60B27	**	6.867	**	1-7/16	E
28	60B28	**	7.106	**	1-7/16	E
29	60B29	**	7.346	**	1-7/16	E
30	60B30	**	7.586	**	1-7/16	E
31	60B31	**	7.826	**	1-7/16	E
32	60B32	**	8.065	**	1-7/16	E
33	60B33	**	8.304	**	1-7/16	E
34	60B34	**	8.544	**	1-7/16	E
35	60B35	**	8.783	**	1-7/16	E
36	60B36	**	9.023	**	1-7/16	E
38	60B38	**	9.501	**	1-7/16	E
39	60B39	**	9.740	**	1-7/16	E
40	60B40	**	9.980	**	1-7/16	E
41	60B41	**	10.219	**	1-7/16	E
42	60B42	**	10.458	**	1-7/16	E
45	60B45	**	11.176	**	1-7/16	E
48	60B48	**	11.893	**	1-7/16	E
50	60B50	**	12.371	**	1-7/16	E
54	60B54	**	13.327	**	1-7/16	E
60	60B60	**	14.761	**	1-7/16	E
72	60B72	**	17.928	**	1-7/16	E
80	60B80	**	19.539	**	1-7/16	E

* Has recessed groove in hub for chain clearance.
^{^^} Maximum bore sizes shown allow for standard keyway and set screw over keyway. Slightly larger bores are available with no keyway, shallow keyway, or setscrew at 90 degrees to keyway.
** Hub O.D. to be determined by bore size and chain clearance.



Sprockets can be quoted in various bore sizes or styles with non standard or timed keyways and hardened teeth (hardness will be Rockwell "C" 35-45). Bore sizes and hub diameters larger than the standards specified are available. Specify requirements when quoting or ordering.

Welded construction (Style E) sprockets can be produced as solid construction. We can manufacture any of the sizes shown as multi-strand sprockets, or we have tooling to make larger single or multi-strand sprockets up to 48" in diameter.

SEND YOUR INQUIRIES

Chain Data	
Size	#60
Pitch	3/4"
Roller Width	1/2"
Roller Diameter	.469



OMAHA, NEBRASKA
 (402) 453-9595
 1-800-442-6009
 FAX (402) 453-1740

ROLLER CHAIN SPROCKETS STANDARD NON STOCK

No. 80 - 1" Pitch

PRICED BY QUOTATION

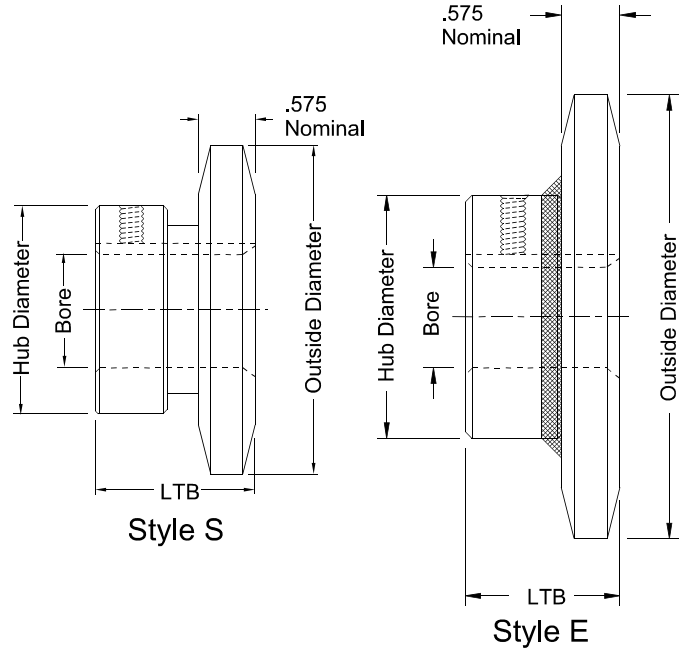
Type B

No. Teeth	Sprocket No.	Max. Bore^^	Outside Dia.	Hub		Style
				Dia.	LTB	
9	80B9	1-3/16	3.347	2-1/8*	1-5/8	S
10	80B10	1-5/16	3.678	2-1/2*	1-5/8	S
11	80B11	1-5/8	4.000	2-7/8*	1-5/8	S
12	80B12	**	4.332	**	1-1/2	E
13	80B13	**	4.657	**	1-1/2	E
14	80B14	**	4.982	**	1-1/2	E
15	80B15	**	5.305	**	1-1/2	E
16	80B16	**	5.627	**	1-1/2	E
17	80B17	**	5.950	**	1-1/2	E
18	80B18	**	6.271	**	1-1/2	E
19	80B19	**	6.593	**	1-1/2	E
20	80B20	**	6.914	**	1-1/2	E
21	80B21	**	7.235	**	1-1/2	E
22	80B22	**	7.555	**	1-1/2	E
23	80B23	**	7.875	**	1-1/2	E
24	80B24	**	8.196	**	1-1/2	E
25	80B25	**	8.516	**	1-9/16	E
26	80B26	**	8.836	**	1-9/16	E
27	80B27	**	9.156	**	1-9/16	E
28	80B28	**	9.475	**	1-9/16	E
29	80B29	**	9.795	**	1-9/16	E
30	80B30	**	10.114	**	1-9/16	E
32	80B32	**	10.753	**	1-9/16	E
33	80B33	**	11.072	**	1-9/16	E
34	80B34	**	11.392	**	1-9/16	E
35	80B35	**	11.711	**	1-9/16	E
36	80B36	**	12.030	**	1-9/16	E
40	80B40	**	13.306	**	1-9/16	E
45	80B45	**	14.901	**	1-9/16	E
48	80B48	**	15.857	**	1-9/16	E
60	80B60	**	19.681	**	1-3/4	E

* Has recessed groove in hub for chain clearance.

^^ Maximum bore sizes shown allow for standard keyway and set screw over keyway. Slightly larger bores are available with no keyway, shallow keyway, or setscrew at 90 degrees to keyway.

** Hub O.D. to be determined by bore size and chain clearance.



Sprockets can be quoted in various bore sizes or styles with non standard or timed keyways and hardened teeth (hardness will be Rockwell "C" 35-45). Bore sizes and hub diameters larger than the standards specified are available. Specify requirements when quoting or ordering.

Welded construction (Style E) sprockets can be produced as solid construction. We can manufacture any of the sizes shown as multi-strand sprockets, or we have tooling to make larger single or multi-strand sprockets up to 48" in diameter.

SEND YOUR INQUIRIES

Chain Data	
Size	#80
Pitch	1"
Roller Width	5/8"
Roller Diameter	.625

ROLLER CHAIN SPROCKETS STANDARD NON STOCK



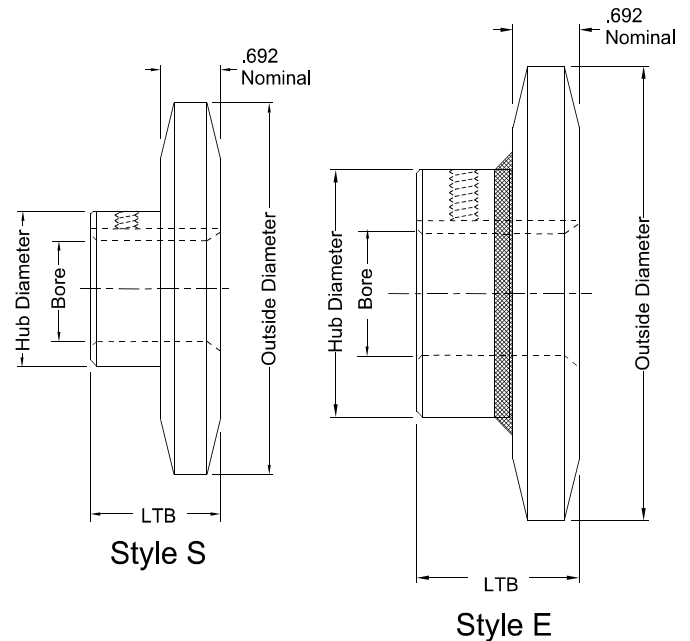
OMAHA, NEBRASKA
(402) 453-9595
1-800-442-6009
FAX (402) 453-1740

No. 100 - 1-1/4" Pitch

PRICED BY QUOTATION

Type B

No. Teeth	Sprocket No.	Max. Bore ^{^^}	Outside Dia.	Hub		Style
				Dia.	LTB	
8	100B8	1-3/16	3.768	1-3/4	1-1/2	S
9	100B9	1-3/8	4.184	2-1/8	1-1/2	S
10	100B10	**	4.598	**	1-1/2	E
11	100B11	**	5.008	**	1-1/2	E
12	100B12	**	5.415	**	1-1/2	E
13	100B13	**	5.821	**	1-1/2	E
14	100B14	**	6.228	**	1-7/8	E
15	100B15	**	6.631	**	1-7/8	E
16	100B16	**	7.034	**	1-7/8	E
17	100B17	**	7.438	**	1-7/8	E
18	100B18	**	7.839	**	1-7/8	E
19	100B19	**	8.241	**	1-7/8	E
20	100B20	**	8.643	**	1-7/8	E
21	100B21	**	9.044	**	1-7/8	E
22	100B22	**	9.444	**	1-7/8	E
23	100B23	**	9.844	**	1-7/8	E
24	100B24	**	10.245	**	1-7/8	E
25	100B25	**	10.645	**	1-7/8	E
26	100B26	**	11.045	**	1-7/8	E
28	100B28	**	11.844	**	1-7/8	E
30	100B30	**	12.643	**	1-7/8	E
32	100B32	**	13.441	**	1-7/8	E
35	100B35	**	14.639	**	1-7/8	E
36	100B36	**	15.040	**	1-7/8	E



Sprockets can be quoted in various bore sizes or styles with non standard or timed keyways and hardened teeth (hardness will be Rockwell "C" 35-45). Bore sizes and hub diameters larger than the standards specified are available. Specify requirements when quoting or ordering.

Welded construction (Style E) sprockets can be produced as solid construction. We can manufacture any of the sizes shown as multi-strand sprockets, or we have tooling to make larger single or multi-strand sprockets up to 48" in diameter.

SEND YOUR INQUIRIES

Chain Data	
Size	#100
Pitch	1-1/4"
Roller Width	3/4"
Roller Diameter	.750

We have tooling to produce larger pitch sprockets also. Send your inquires for #120, #140, #160, #180 and #200 chain sprockets. We can supply single or multi-strand sprockets up to 48" in diameter.



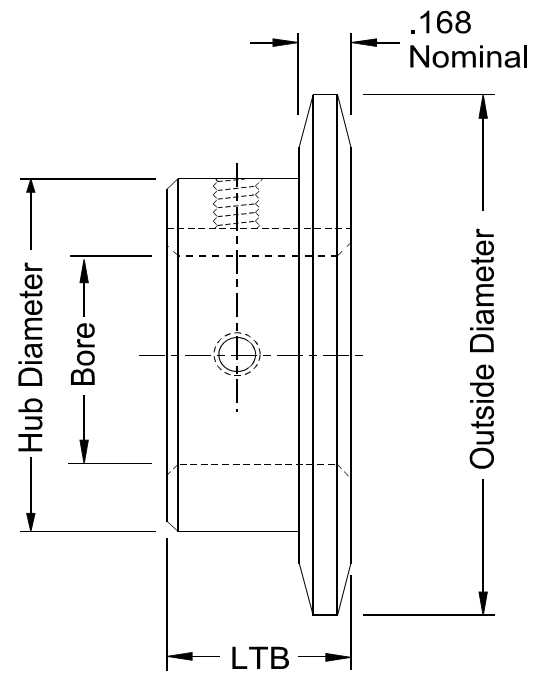
OMAHA, NEBRASKA
 (402) 453-9595
 1-800-442-6009
 FAX (402) 453-1740

TYPE B FINISH BORE SPROCKETS NOVA IMPORT

No. 35 - 3/8" PITCH

Sprockets

No. Teeth	NOVA Import Stock No.	Sprocket No.	Finish Bore	Outside Dia.	Hub	
					Dia.	LTB
10	603510065	35B10*	3/8 PB	1.379	1^	3/4
10	603510085	35B10*	1/2	1.379	1^	3/4
10	603510105	35B10*	5/8	1.379	1^	3/4
11	603511085	35B11*	1/2	1.502	1-1/16^	3/4
11	603511105	35B11*	5/8	1.502	1-1/16^	3/4
11	603511125	35B11*	3/4	1.502	1-1/16^	3/4
12	603512085	35B12*	1/2	1.625	1-1/4^	3/4
12	603512105	35B12*	5/8	1.625	1-1/4^	3/4
12	603512125	35B12*	3/4	1.625	1-1/4^	3/4
13	603513085	35B13*	1/2	1.746	1-1/8	3/4
13	603513105	35B13*	5/8	1.746	1-1/8	3/4
13	603513125	35B13*	3/4	1.746	1-1/8	3/4
14	603514085	35B14*	1/2	1.868	1-1/4	3/4
14	603514105	35B14*	5/8	1.868	1-1/4	3/4
14	603514125	35B14*	3/4	1.868	1-1/4	3/4
15	603515085	35B15*	1/2	1.989	1-3/8	3/4
15	603515105	35B15*	5/8	1.989	1-3/8	3/4
15	603515125	35B15*	3/4	1.989	1-3/8	3/4
15	603515165	35B15*	1	1.989	1-3/8	3/4
16	603516085	35B16*	1/2	2.110	1-1/2	3/4
16	603516105	35B16*	5/8	2.110	1-1/2	3/4
16	603516125	35B16*	3/4	2.110	1-1/2	3/4
16	603516165	35B16*	1	2.110	1-1/2	3/4
17	603517085	35B17*	1/2	2.231	1-5/8	3/4
17	603517125	35B17*	3/4	2.231	1-5/8	3/4
18	603518085	35B18*	1/2	2.352	1-3/4	3/4
18	603518105	35B18*	5/8	2.352	1-3/4	3/4
18	603518125	35B18*	3/4	2.352	1-3/4	3/4
18	603518165	35B18*	1	2.352	1-3/4	3/4
19	603519085	35B19*	1/2	2.472	1-13/16	3/4
20	603520085	35B20*	1/2	2.593	1-15/16	7/8
20	603520125	35B20*	3/4	2.590	1-15/16	7/8
21	603521085	35B21*	1/2	2.713	2-1/16	7/8
21	603521125	35B21*	3/4	2.713	2-1/16	7/8
24	603524085	35B24*	1/2	3.074	2-7/16	7/8
24	603524125	35B24*	3/4	3.074	2-7/16	7/8
25	603525105	35B25*	5/8	3.194	2-9/16	7/8
25	603525165	35B25*	1	3.194	2-9/16	7/8
28	603528125	35B28*	3/4	3.553	2-1/2	7/8



Sprockets come with (2) set screws @ 0° & 90°

Chain Data	
Size	#35
Pitch	3/8
Roller Width	3/16
Roller Diameter	.200

Keyway timed with centerline of tooth
 * Teeth hardened to 30-45 Rc
 ^ Has recessed groove in hub for chain clearance.

TYPE B FINISH BORE SPROCKETS NOVA IMPORT



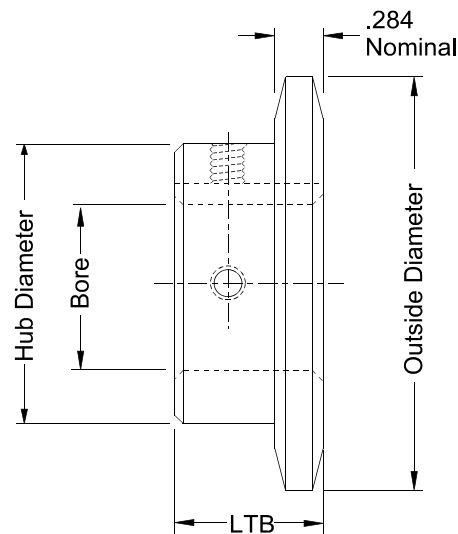
OMAHA, NEBRASKA
(402) 453-9595
1-800-442-6009
FAX (402) 453-1740

No. 40 - 1/2" PITCH

No. Teeth	NOVA Import Stock No.	Sprocket No.	Finish Bore	Outside Dia.	Hub	
					Dia.	LTB
9	604009105	40B9*	5/8	1.674	1-1/8^	7/8
10	604010085	40B10*	1/2	1.839	1-1/4^	7/8
10	604010105	40B10*	5/8	1.839	1-1/4^	7/8
10	604010125	40B10*	3/4	1.839	1-1/4^	7/8
11	604011085	40B11*	1/2	2.003	1-7/16^	7/8
11	604011105	40B11*	5/8	2.003	1-7/16^	7/8
11	604011125	40B11*	3/4	2.003	1-7/16^	7/8
11	604011145	40B11*	7/8	2.003	1-7/16^	7/8
12	604012085	40B12	1/2	2.170	1-7/16^	7/8
12	604012105	40B12*	5/8	2.166	1-9/16^	7/8
12	604012125	40B12*	3/4	2.166	1-9/16^	7/8
12	604012145	40B12*	7/8	2.166	1-9/16^	7/8
12	604012165	40B12*	1	2.166	1-9/16^	7/8
13	604013085	40B13*	1/2	2.329	1-9/16	7/8
13	604013105	40B13*	5/8	2.329	1-9/16	7/8
13	604013125	40B13*	3/4	2.329	1-9/16	7/8
13	604013165	40B13*	1	2.329	1-9/16	7/8
14	604014105	40B14*	5/8	2.490	1-11/16	7/8
14	604014125	40B14*	3/4	2.491	1-11/16	7/8
14	604014145	40B14*	7/8	2.491	1-11/16	7/8
14	604014165	40B14*	1	2.491	1-11/16	7/8
15	604015105	40B15*	5/8	2.653	1-13/16	7/8
15	604015125	40B15*	3/4	2.653	1-13/16	7/8
15	604015145	40B15*	7/8	2.653	1-13/16	7/8
15	604015165	40B15*	1	2.653	1-13/16	7/8
15	604015185	40B15*	1-1/8	2.653	1-13/16	7/8
15	604015195	40B15*	1-3/16	2.653	1-13/16	7/8
15	604015205	40B15*	1-1/4	2.653	1-13/16	7/8
16	604016105	40B16*	5/8	2.814	2	7/8
16	604016125	40B16*	3/4	2.814	2	7/8
16	604016145	40B16*	7/8	2.814	2	7/8
16	604016165	40B16*	1	2.814	2	7/8
16	604016185	40B16*	1-1/8	2.814	2	7/8
16	604016195	40B16*	1-3/16	2.814	2	7/8
16	604016205	40B16*	1-1/4	2.814	2	7/8
17	604017125	40B17*	3/4	2.975	2-1/8	1
17	604017145	40B17*	7/8	2.975	2-1/8	1
17	604017165	40B17*	1	2.975	2-1/8	1
17	604017185	40B17*	1-1/8	2.975	2-1/8	1
18	604018105	40B18*	5/8	3.136	2-5/16	1
18	604018125	40B18*	3/4	3.136	2-5/16	1
18	604018145	40B18*	7/8	3.136	2-5/16	1
18	604018165	40B18*	1	3.136	2-5/16	1
18	604018185	40B18*	1-1/8	3.136	2-5/16	1
18	604018195	40B18*	1-3/16	3.136	2-5/16	1
18	604018205	40B18*	1-1/4	3.136	2-5/16	1
18	604018225	40B18*	1-3/8	3.136	2-5/16	1
18	604018235	40B18*	1-7/16	3.136	2-5/16	1
18	604018245	40B18*	1-1/2	3.136	2-5/16	1

No. Teeth	NOVA Import Stock No.	Sprocket No.	Finish Bore	Outside Dia.	Hub	
					Dia.	LTB
19	604019105	40B19*	5/8	3.297	2-1/2	1
19	604019125	40B19*	3/4	3.297	2-1/2	1
19	604019145	40B19*	7/8	3.297	2-1/2	1
19	604019165	40B19*	1	3.297	2-1/2	1
19	604019185	40B19*	1-1/8	3.297	2-1/2	1
19	604019195	40B19*	1-3/16	3.297	2-1/2	1
19	604019205	40B19*	1-1/4	3.297	2-1/2	1
19	604019225	40B19*	1-3/8	3.297	2-1/2	1
19	604019234	40B19*	1-7/16	3.297	2-1/2	1
19	604019245	40B19*	1-1/2	3.297	2-1/2	1
20	604020125	40B20*	3/4	3.457	2-5/8	1
20	604020145	40B20*	7/8	3.457	2-5/8	1
20	604020165	40B20*	1	3.457	2-5/8	1
20	604020205	40B20*	1-1/4	3.457	2-5/8	1

Sprockets



Sprockets come with (2) set screws @ 0° & 90°

Chain Data	
Size	#40
Pitch	1/2
Roller Width	5/16
Roller Diameter	.312

Keyway timed with centerline of tooth
* Teeth hardened to 30-45 Rc
^ Has recessed groove in hub for chain clearance.

Larger 40 Series sprockets
continued on next page



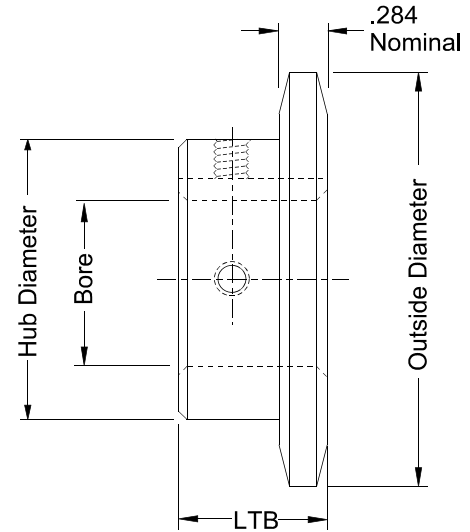
OMAHA, NEBRASKA
 (402) 453-9595
 1-800-442-6009
 FAX (402) 453-1740

TYPE B FINISH BORE SPROCKETS NOVA IMPORT

No. 40 - 1/2" PITCH

Sprockets

No. Teeth	NOVA Import Stock No.	Sprocket No.	Finish Bore	Outside Dia.	Hub	
					Dia.	LTB
21	604021125	40B21*	3/4	3.618	2-3/4	1
21	604021145	40B21*	7/8	3.618	2-3/4	1
21	604021165	40B21*	1	3.618	2-3/4	1
21	604021185	40B21*	1-1/8	3.618	2-3/4	1
21	604021205	40B21*	1-1/4	3.618	2-3/4	1
21	604021235	40B21*	1-7/16	3.618	2-3/4	1
21	604021245	40B21*	1-1/2	3.618	2-3/4	1
22	604022125	40B22*	3/4	3.778	2-7/8	1
22	604022145	40B22*	7/8	3.778	2-7/8	1
22	604022165	40B22*	1	3.778	2-7/8	1
22	604022225	40B22*	1-3/8	3.778	2-7/8	1
22	604022235	40B22*	1-7/16	3.778	2-7/8	1
23	604023125	40B23*	3/4	3.938	3	1
23	604023145	40B23*	7/8	3.938	3	1
23	604023165	40B23*	1	3.938	3	1
23	604023185	40B23*	1-1/8	3.938	3	1
23	6040231205	40B23*	1-1/4	3.938	3	1
23	604023225	40B23*	1-3/8	3.938	3	1
23	604023235	40B23*	1-7/16	3.938	3	1
23	604023245	40B23*	1-1/2	3.938	3	1
24	604024125	40B24*	3/4	4.098	3-1/4	1
24	604024145	40B24*	7/8	4.098	3-1/4	1
24	604024165	40B24*	1	4.098	3-1/4	1
24	604024185	40B24*	1-1/8	4.098	3-1/4	1
24	604024195	40B24*	1-3/16	4.098	3-1/4	1
24	604024205	40B24*	1-1/4	4.098	3-1/4	1
24	604024225	40B24*	1-3/8	4.098	3-1/4	1
24	604024235	40B24*	1-7/16	4.098	3-1/4	1
24	604024245	40B24*	1-1/2	4.098	3-1/4	1
25	604025125	40B25*	3/4	4.098	3-1/4	1
25	604025145	40B25*	7/8	4.258	3-1/4	1
25	604025165	40B25*	1	4.258	3-1/4	1
25	604025185	40B25*	1-1/8	4.258	3-1/4	1
25	604025195	40B25*	1-3/16	4.258	3-1/4	1
25	604025205	40B25*	1-1/4	4.258	3-1/4	1
25	604025235	40B25*	1-7/16	4.258	3-1/4	1
25	604025245	40B25*	1-1/2	4.258	3-1/4	1
26	604026125	40B26*	3/4	4.418	3-1/4	1
26	604026145	40B26*	7/8	4.418	3-1/4	1
26	604026165	40B26*	1	4.418	3-1/4	1
26	604026185	40B26*	1-1/8	4.418	3-1/4	1
26	604026205	40B26*	1-1/4	4.418	3-1/4	1
26	604026235	40B26*	1-7/16	4.418	3-1/4	1
26	604026245	40B26*	1-1/2	4.418	3-1/4	1
27	604027125	40B27*	3/4	4.587	3-1/4	1
27	604027145	40B27*	7/8	4.587	3-1/4	1
27	604027165	40B27*	1	4.587	3-1/4	1



Sprockets come with (2) set screws @ 0° & 90°

Chain Data	
Size	#40
Pitch	1/2
Roller Width	5/16
Roller Diameter	.312

Keyway timed with centerline of tooth
 * Teeth hardened to 30-45 Rc
 ^ Has recessed groove in hub for chain clearance.

Larger 40 Series sprockets
continued on next page

TYPE B FINISH BORE SPROCKETS

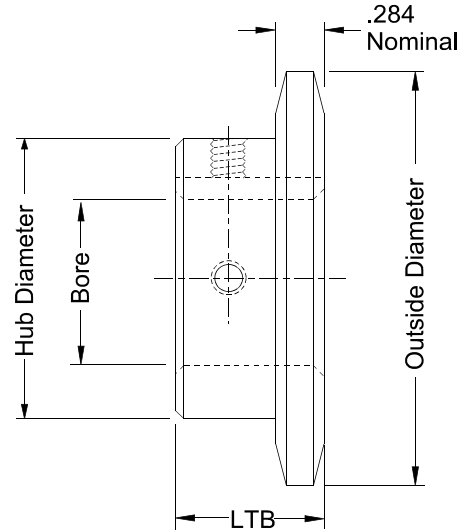
NOVA IMPORT



OMAHA, NEBRASKA
(402) 453-9595
1-800-442-6009
FAX (402) 453-1740

No. 40 - 1/2" PITCH

No. Teeth	NOVA Import Stock No.	Sprocket No.	Finish Bore	Outside Dia.	Hub	
					Dia.	LTB
27	604027185	40B27*	1-1/8	4.587	3-1/4	1
27	604027205	40B27*	1-1/4	4.587	3-1/4	1
27	604027235	40B27*	1-7/16	4.587	3-1/4	1
27	604027245	40B27*	1-1/2	4.587	3-1/4	1
28	604028125	40B28*	3/4	4.738	3-1/4	1
28	604028145	40B28*	7/8	4.738	3-1/4	1
28	604028165	40B28*	1	4.738	3-1/4	1
28	604028185	40B28*	1-1/8	4.738	3-1/4	1
28	604028235	40B28*	1-7/16	4.738	3-1/4	1
28	604028245	40B28*	1-1/2	4.738	3-1/4	1
29	604029165	40B29*	1	4.898	3-1/4	1
30	604030125	40B30*	3/4	5.057	3-1/4	1
30	604030145	40B30*	7/8	5.057	3-1/4	1
30	604030165	40B30*	1	5.057	3-1/4	1
30	604030185	40B30*	1-1/8	5.057	3-1/4	1
30	604030195	40B30*	1-3/16	5.057	3-1/4	1
30	604030205	40B30*	1-1/4	5.057	3-1/4	1
30	604030235	40B30*	1-7/16	5.057	3-1/4	1
30	604030245	40B30*	1-1/2	5.057	3-1/4	1
32	604032125	40B32*	3/4	5.377	3-1/4	1
32	604032145	40B32*	7/8	5.377	3-1/4	1
32	604032165	40B32*	1	5.377	3-1/4	1
32	604032185	40B32*	1-1/8	5.377	3-1/4	1
32	604032195	40B32*	1-3/16	5.377	3-1/4	1
32	604032205	40B32*	1-1/4	5.377	3-1/4	1
32	604032235	40B32*	1-7/16	5.377	3-1/4	1
32	604032245	40B32*	1-1/2	5.377	3-1/4	1
35	604035125	40B35*	3/4	5.856	3-1/4	1
35	604032145	40B35*	7/8	5.856	3-1/4	1
35	604035165	40B35*	1	5.856	3-1/4	1
35	604035185	40B35*	1-1/8	5.856	3-1/4	1
35	604032195	40B35*	1-3/16	5.856	3-1/4	1
35	604035205	40B35*	1-1/4	5.856	3-1/4	1
35	604032235	40B35*	1-7/16	5.856	3-1/4	1
35	604035245	40B35*	1-1/2	5.856	3-1/4	1
36	604036125	40B36*	3/4	6.015	3-1/4	1
36	604036145	40B36*	7/8	6.015	3-1/4	1
36	604036165	40B36*	1	6.015	3-1/4	1
36	604036185	40B36*	1-1/8	6.015	3-1/4	1
36	604036195	40B36*	1-3/16	6.015	3-1/4	1
36	604036205	40B36*	1-1/4	6.015	3-1/4	1
36	604036235	40B36*	1-7/16	6.015	3-1/4	1
36	604036245	40B36*	1-1/2	6.015	3-1/4	1
40	604040165	40B40*	1	6.653	3-1/2	1-1/8
40	604040205	40B40*	1-1/4	6.653	3-1/2	1-1/8
42	604042165	40B42	1	7.062	3-1/2	1-1/8
45	604045165	40B45	1	7.451	3-1/2	1-1/8
60	604060165	40B60	1	9.841	3-1/2	1-1/8
60	604060205	40B60	1-1/4	9.841	3-1/2	1-1/8



Chain Data	
Size	#40
Pitch	1/2
Roller Width	5/16
Roller Diameter	.312

Keyway timed with centerline of tooth
 * Teeth hardened to 30-45 Rc
 ^ Has recessed groove in hub for chain clearance.

Larger 40 Series sprockets
continued on next page

Sprockets



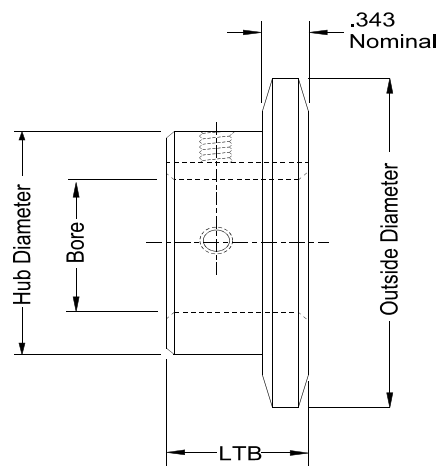
OMAHA, NEBRASKA
(402) 453-9595
1-800-442-6009
FAX (402) 453-1740

TYPE B FINISH BORE SPROCKETS NOVA IMPORT

No. 50 - 5/8" PITCH

Sprockets

No. Teeth	NOVA Import Stock No.	Sprocket No.	Finish Bore	Outside Dia.	Hub		No. Teeth	NOVA Import Stock No.	Sprocket No.	Finish Bore	Outside Dia.	Hub	
					Dia.	LTB						Dia.	LTB
9	605009105	50B09*	5/8	2.092	1-3/8"	1	17	605017125	50B17*	3/4	3.719	2-11/16	1
9	605009125	50B9*	3/4	2.092	1-3/8^	1	17	605017145	50B17*	7/8	3.719	2-11/16	1
10	605010105	50B10*	5/8	2.299	1-9/16^	1	17	605017165	50B17*	1	3.719	2-11/16	1
10	605010125	50B10*	3/4	2.299	1-9/16^	1	17	605017185	50B17*	1-1/8	3.719	2-11/16	1
10	605010145	50B10*	7/8	2.299	1-9/16^	1	17	605017195	50B17*	1-3/16	3.719	2-11/16	1
10	605010165	50B10*	1	2.299	1-9/16^	1	17	605017205	50B17*	1-1/4	3.719	2-11/16	1
11	605011105	50B11*	5/8	2.504	1-3/4^	1	17	605017235	50B17*	1-7/16	3.719	2-11/16	1
11	605011125	50B11*	3/4	2.504	1-3/4^	1	17	605017245	50B17*	1-1/2	3.719	2-11/16	1
11	605011165	50B11*	1	2.504	1-3/4^	1	18	605018125	50B18*	3/4	3.919	2-7/8	1
12	605012105	50B12*	5/8	2.708	1-63/64^	1	18	605018145	50B18*	7/8	3.919	2-7/8	1
12	605012125	50B12*	3/4	2.708	1-63/64^	1	18	605018165	50B18*	1	3.919	2-7/8	1
12	605012145	50B12*	7/8	2.708	1-63/64^	1	18	605018185	50B18*	1-1/8	3.919	2-7/8	1
12	605012165	50B12*	1	2.708	1-63/64^	1	18	605018195	50B18*	1-3/16	3.919	2-7/8	1
12	605012185	50B12*	1-1/8	2.708	1-63/64^	1	18	605018205	50B18*	1-1/4	3.919	2-7/8	1
12	605012195	50B12*	1-3/16	2.708	1-63/64^	1	18	605018235	50B18*	1-7/16	3.919	2-7/8	1
12	605012205	50B12*	1-1/4	2.708	1-63/64^	1	18	605018245	50B18*	1-1/2	3.919	2-7/8	1
13	605013105	50B13*	5/8	2.911	1-7/8^	1							
13	605013125	50B13*	3/4	2.911	1-7/8^	1							
13	605013145	50B13*	7/8	2.911	1-7/8^	1							
13	605013165	50B13*	1	2.911	1-7/8^	1							
13	605013185	50B13*	1-1/8	2.911	1-7/8^	1							
13	605013195	50B13*	1-3/16	2.910	1-7/8^	1							
13	605013205	50B13*	1-1/4	2.911	1-7/8^	1							
14	605014125	50B14*	3/4	3.114	2-1/8	1							
14	605014145	50B14*	7/8	3.114	2-1/8	1							
14	605014165	50B14*	1	3.114	2-1/8	1							
14	605014185	50B14*	1-1/8	3.114	2-1/8	1							
14	605014195	50B14*	1-3/16	3.114	2-1/8	1							
14	605014205	50B14*	1-1/4	3.114	2-1/8	1							
15	605015125	50B15*	3/4	3.316	2-3/8	1							
15	605015145	50B15*	7/8	3.316	2-3/8	1							
15	605015165	50B15*	1	3.316	2-3/8	1							
15	605015185	50B15*	1-1/8	3.316	2-3/8	1							
15	605015195	50B15*	1-3/16	3.316	2-3/8	1							
15	605015205	50B15*	1-1/4	3.316	2-3/8	1							
15	605015225	50B15*	1-3/8	3.316	2-3/8	1							
15	605015235	50B15*	1-7/16	3.316	2-3/8	1							
15	605015245	50B15*	1-1/2	3.316	2-3/8	1							
16	605016105	50B16*	5/8	3.517	2-1/2	1							
16	605016125	50B16*	3/4	3.517	2-1/2	1							
16	605016145	50B16*	7/8	3.517	2-1/2	1							
16	605016165	50B16*	1	3.517	2-1/2	1							
16	605016185	50B16*	1-1/8	3.517	2-1/2	1							
16	605016195	50B16*	1-3/16	3.517	2-1/2	1							
16	605016205	50B16*	1-1/4	3.517	2-1/2	1							
16	605016225	50B16*	1-3/8	3.517	2-1/2	1							
16	605016235	50B16*	1-7/16	3.517	2-1/2	1							
16	605016245	50B16*	1-1/2	3.517	2-1/2	1							



Chain Data	
Size	#50
Pitch	5/8
Roller Width	3/8
Roller Diameter	.400

**Larger 50 Series sprockets
continued on next page**

Sprockets come with (2) set screws @ 0° & 90°

Keyway timed with centerline of tooth
* Teeth hardened to 30-45 Rc
^ Has recessed groove in hub for chain clearance.

TYPE B FINISH BORE SPROCKETS NOVA IMPORT



OMAHA, NEBRASKA
(402) 453-9595
1-800-442-6009
FAX (402) 453-1740

No. 50 - 5/8" PITCH

No. Teeth	NOVA Import Stock No.	Sprocket No.	Finish Bore	Outside Dia.	Hub		No. Teeth	Stock No.	Sprocket No.	Finish Bore	Outside Dia.	Hub	
					Dia.	LTB						Dia.	LTB
19	605019145	50B19*	7/8	4.121	3	1	25	605025125	50B25*	3/4	5.323	3	1-1/4
19	605019165	50B19*	1	4.121	3	1	25	605025145	50B25*	7/8	5.323	3	1-1/4
19	605019185	50B19*	1-1/8	4.121	3	1	25	605025165	50B25*	1	5.323	3	1-1/4
19	605019195	50B19*	1-3/16	4.121	3	1	25	605025185	50B25*	1-1/8	5.323	3	1-1/4
19	605019205	50B19*	1-1/4	4.121	3	1	25	605025195	50B25*	1-3/16	5.323	3	1-1/4
19	605019225	50B19*	1-3/8	4.121	3	1	25	605025205	50B25*	1-1/4	5.323	3	1-1/4
19	605019235	50B19*	1-7/16	4.121	3	1	25	605025225	50B25*	1-3/8	5.323	3	1-1/4
19	605019245	50B19*	1-1/2	4.121	3	1	25	605025235	50B25*	1-7/16	5.323	3	1-1/4
20	605020125	50B20*	3/4	4.321	3	1	26	605026125	50B26*	3/4	5.532	3	1-1/4
20	605020145	50B20*	7/8	4.321	3	1	26	605026145	50B26*	7/8	5.532	3	1-1/4
20	605020165	50B20*	1	4.321	3	1	26	605026165	50B26*	1	5.532	3	1-1/4
20	605020195	50B20*	1-3/16	4.321	3	1	26	605026185	50B26*	1-1/8	5.532	3	1-1/4
20	605020205	50B20*	1-1/4	4.321	3	1	26	605026195	50B26*	1-3/16	5.532	3	1-1/4
20	605020225	50B20*	1-3/8	4.321	3	1	26	605026205	50B26*	1-1/4	5.523	3	1-1/4
20	605020235	50B20*	1-7/16	4.321	3	1	26	605026225	50B26*	1-3/8	5.523	3	1-1/4
20	605020245	50B20*	1-1/2	4.321	3	1	26	605026235	50B26*	1-7/16	5.523	3	1-1/4
21	605021125	50B21*	3/4	4.521	3	1	26	605026245	50B26*	1-1/2	5.523	3	1-1/4
21	605021145	50B21*	7/8	4.521	3	1	27	605027125	50B27*	3/4	5.723	3	1-1/4
21	605021165	50B21*	1	4.521	3	1	27	605027145	50B27*	7/8	5.723	3	1-1/4
21	605021185	50B21*	1-1/8	4.521	3	1	27	605027165	50B27*	1	5.723	3	1-1/4
21	605021205	50B21*	1-1/4	4.521	3	1	27	605027185	50B27*	1-1/8	5.723	3	1-1/4
21	605021235	50B21*	1-7/16	4.521	3	1	27	605027195	50B27*	1-3/16	5.723	3	1-1/4
21	605021245	50B21*	1-1/2	4.521	3	1	27	605027205	50B27*	1-1/4	5.723	3	1-1/4
22	605022125	50B22*	3/4	4.722	3	1	27	605027225	50B27*	1-3/8	5.723	3	1-1/4
22	605022165	50B22*	1	4.722	3	1	27	605027235	50B27*	1-7/16	5.723	3	1-1/4
22	605022195	50B22*	1-3/16	4.722	3	1	28	605028125	50B28*	3/4	5.922	3	1-1/4
22	605022205	50B22*	1-1/4	4.722	3	1	28	605028145	50B28*	7/8	5.922	3	1-1/4
22	605022225	50B22*	1-3/8	4.722	3	1	28	605028165	50B28*	1	5.922	3	1-1/4
22	605022235	50B22*	1-7/16	4.722	3	1	28	605028185	50B28*	1-1/8	5.922	3	1-1/4
23	605023125	50B23*	3/4	4.722	3	1	28	605028205	50B28*	1-1/4	5.922	3	1-1/4
23	605023145	50B23*	7/8	4.722	3	1	28	605028225	50B28*	1-3/8	5.922	3	1-1/4
23	605023165	50B23*	1	4.922	3	1	28	605028235	50B28*	1-7/16	5.922	3	1-1/4
23	605023185	50B23*	1-1/8	4.922	3	1	29	605029165	50B29*	1	6.122	3	1-1/4
23	605023195	50B23*	1-3/16	4.922	3	1	29	605029205	50B29*	1-1/4	6.122	3	1-1/4
23	605023205	50B23*	1-1/4	4.922	3	1	29	605029235	50B29*	1-7/16	6.122	3	1-1/4
23	605023225	50B23*	1-3/8	4.922	3	1							
23	605023235	50B23*	1-7/16	4.922	3	1							
23	605023245	50B23*	1-1/2	4.922	3	1							
24	605024125	50B24*	3/4	5.123	3	1-1/4							
24	605024145	50B24*	7/8	5.123	3	1-1/4							
24	605024165	50B24*	1	5.123	3	1-1/4							
24	605024185	50B24*	1-1/8	5.123	3	1-1/4							
24	605024195	50B24*	1-3/16	5.123	3	1-1/4							
24	605024205	50B24*	1-1/4	5.123	3	1-1/4							
24	605024225	50B24*	1-3/8	5.123	3	1-1/4							
24	605024235	50B24*	1-7/16	5.123	3	1-1/4							
24	605024245	50B24*	1-1/2	5.123	3	1-1/4							

Sprockets

**Larger 50 Series sprockets
continued on next page**

Sprockets come with (2) set screws @ 0° & 90°

Keyway timed with centerline of tooth

* Teeth hardened to 30-45 Rc

^ Has recessed groove in hub for chain clearance.



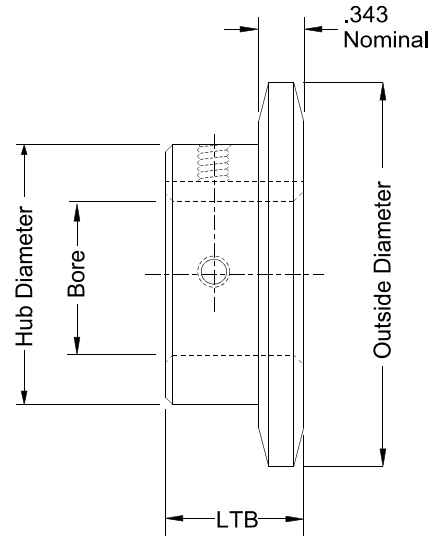
OMAHA, NEBRASKA
 (402) 453-9595
 1-800-442-6009
 FAX (402) 453-1740

TYPE B FINISH BORE SPROCKETS NOVA IMPORT

No. 50 - 5/8" PITCH

Sprockets

No. Teeth	Stock No.	Sprocket No.	Finish Bore	Outside Dia.	Hub	
					Dia.	LTB
30	605030125	50B30*	3/4	6.321	3-1/4	1-1/4
30	605030145	50B30*	7/8	6.321	3-1/4	1-1/4
30	605030165	50B30*	1	6.321	3-1/4	1-1/4
30	605030185	50B30*	1-1/8	6.321	3-1/4	1-1/4
30	605030195	50B30*	1-3/16	6.321	3-1/4	1-1/4
30	605030205	50B30*	1-1/4	6.321	3-1/4	1-1/4
30	605030225	50B30*	1-3/8	6.321	3-1/4	1-1/4
30	605030235	50B30*	1-7/16	6.321	3-1/4	1-1/4
30	605030245	50B30*	1-1/2	6.321	3-1/4	1-1/4
32	605032125	50B32*	3/4	6.721	3-1/4	1-1/4
32	605032145	50B32*	7/8	6.721	3-1/4	1-1/4
32	605032165	50B32*	1	6.721	3-1/4	1-1/4
32	605032185	50B32*	1-1/8	6.721	3-1/4	1-1/4
32	605032195	50B32*	1-3/16	6.721	3-1/4	1-1/4
32	605032205	50B32*	1-1/4	6.721	3-1/4	1-1/4
32	605032225	50B32*	1-3/8	6.721	3-1/4	1-1/4
32	605032245	50B32*	1-1/2	6.721	3-1/4	1-1/4
32	605032285	50B32*	1-3/4	6.721	3-1/4	1-1/4
33	605033165	50B33	1	6.982	3-1/4	1-1/4
33	605033185	50B33	1-1/8	6.982	3-1/4	1-1/4
33	605033205	50B33	1-1/4	6.982	3-1/4	1-1/4
33	605033235	50B33	1-7/16	6.982	3-1/4	1-1/4
34	605034165	50B34	1	7.265	3-1/4	1-1/4
34	605034195	50B34	1-3/16	7.265	3-1/4	1-1/4
34	605034205	50B34	1-1/4	7.265	3-1/4	1-1/4
34	605034235	50B34	1-7/16	7.265	3-1/4	1-1/4
35	605035185	50B35	1-1/8	7.412	3-1/4	1-1/4
35	605035205	50B35	1-1/4	7.412	3-1/4	1-1/4
36	605036165	50B36	1	7.519	3-1/4	1-1/4
36	605036205	50B36	1-1/4	7.519	3-1/4	1-1/4
36	605036235	50B36	1-7/16	7.519	3-1/4	1-1/4
36	605036245	50B36	1-1/2	7.519	3-1/4	1-1/4
40	605040165	50B40	1	8.316	3-1/4	1-1/4
40	605040205	50B40	1-1/4	8.316	3-1/4	1-1/4
40	605040245	50B40	1-1/2	8.316	3-1/4	1-1/4



Chain Data	
Size	#50
Pitch	5/8
Roller Width	3/8
Roller Diameter	.400

Sprockets come with (2) set screws @ 0° & 90°

Keyway timed with centerline of tooth

* Teeth hardened to 30-45 Rc

^ Has recessed groove in hub for chain clearance.

WWW.GGMFG.COM

Toll Free

(800) 442-6009

TYPE B FINISH BORE SPROCKETS NOVA IMPORT



OMAHA, NEBRASKA
(402) 453-9595
1-800-442-6009
FAX (402) 453-1740

No. 60 - 3/4" PITCH

No. Teeth	NOVA Import Stock No.	Sprocket No.	Finish Bore	Outside Dia.	Hub	
					Dia.	LTB
9	606009125	60B9*	3/4	2.510	1-11/16	1-1/4
9	606009145	60B9*	7/8	2.510	1-11/16 [^]	1-1/4
9	606009165	60B9*	1	2.510	1-11/16 [^]	1-1/4
10	606010125	60B10*	3/4	2.759	1-15/16 [^]	1-1/4
10	606010145	60B10*	7/8	2.759	1-15/16 [^]	1-1/4
10	606010165	60B10*	1	2.759	1-15/16 [^]	1-1/4
10	606010185	60B10*	1-1/8	2.759	1-15/16 [^]	1-1/4
10	606010195	60B10*	1-3/16	2.759	1-15/16 [^]	1-1/4
10	606010205	60B10*	1-1/4	2.759	1-15/16 [^]	1-1/4
11	606011125	60B11*	3/4	3.005	2-1/16 [^]	1-1/4
11	606011145	60B11*	7/8	3.005	2-1/16 [^]	1-1/4
11	606011165	60B11*	1	3.005	2-1/16 [^]	1-1/4
11	606011185	60B11*	1-1/8	3.005	2-1/16 [^]	1-1/4
11	606011195	60B11*	1-3/16	3.005	2-1/16 [^]	1-1/4
11	606011205	60B11*	1-1/4	3.005	2-1/16 [^]	1-1/4
12	606012125	60B12*	3/4	3.249	2-3/8	1-1/4
12	606012145	60B12*	7/8	3.249	2-3/8 [^]	1-1/4
12	606012165	60B12*	1	3.249	2-3/8 [^]	1-1/4
12	606012185	60B12*	1-1/8	3.249	2-3/8 [^]	1-1/4
12	606012195	60B12*	1-3/16	3.249	2-3/8 [^]	1-1/4
12	606012205	60B12*	1-1/4	3.249	2-3/8 [^]	1-1/4
12	606012225	60B12*	1-3/8	3.249	2-3/8 [^]	1-1/4
13	606013125	60B13*	3/4	3.493	2-1/4	1-1/4
13	606013145	60B13*	7/8	3.493	2-1/4	1-1/4
13	606013165	60B13*	1	3.493	2-1/4	1-1/4
13	606013185	60B13*	1-1/8	3.493	2-1/4	1-1/4
13	606013195	60B13*	1-3/16	3.493	2-1/4	1-1/4
13	606013205	60B13*	1-1/4	3.493	2-1/4	1-1/4
13	606013225	60B13*	1-3/8	3.493	2-1/4	1-1/4
13	606013235	60B13*	1-7/16	3.493	2-1/4	1-1/4
13	606013245	60B13*	1-1/2	3.493	2-1/4	1-1/4
14	606014125	60B14*	3/4	3.736	2-9/16	1-1/4
14	606014145	60B14*	7/8	3.736	2-9/16	1-1/4
14	606014165	60B14*	1	3.736	2-9/16	1-1/4
14	606014185	60B14*	1-1/8	3.736	2-9/16	1-1/4
14	606014205	60B14*	1-1/4	3.736	2-9/16	1-1/4
14	606014225	60B14*	1-3/8	3.736	2-9/16	1-1/4
14	606014235	60B14*	1-7/16	3.736	2-9/16	1-1/4
14	606014245	60B14*	1-1/2	3.736	2-9/16	1-1/4
15	606015145	60B15*	7/8	3.979	2-5/8	1-1/4
15	606015165	60B15*	1	3.979	2-5/8	1-1/4
15	606015185	60B15*	1-1/8	3.979	2-5/8	1-1/4
15	606015195	60B15*	1-3/16	3.979	2-5/8	1-1/4
15	606015205	60B15*	1-1/4	3.979	2-5/8	1-1/4
15	606015225	60B15*	1-3/8	3.979	2-5/8	1-1/4
15	606015235	60B15*	1-7/16	3.979	2-5/8	1-1/4
15	606015245	60B15*	1-1/2	3.979	2-5/8	1-1/4
15	606015265	60B15*	1-5/8	3.979	2-5/8	1-1/4
15	606015285	60B15*	1-3/4	3.979	2-5/8	1-1/4

No. Teeth	NOVA Import Stock No.	Sprocket No.	Finish Bore	Outside Dia.	Hub	
					Dia.	LTB
16	606016125	60B16*	3/4	4.220	3-1/16	1-1/4
16	606016145	60B16*	7/8	4.220	3-1/16	1-1/4
16	606016165	60B16*	1	4.220	3-1/16	1-1/4
16	606016185	60B16*	1-1/8	4.220	3-1/16	1-1/4
16	606016195	60B16*	1-3/16	4.220	3-1/16	1-1/4
16	606016205	60B16*	1-1/4	4.220	3-1/16	1-1/4
16	606016225	60B16*	1-3/8	4.220	3-1/16	1-1/4
16	606016235	60B16*	1-7/16	4.220	3-1/16	1-1/4
16	606016245	60B16*	1-1/2	4.220	3-1/16	1-1/4
16	606016285	60B16*	1-3/4	4.220	3-1/16	1-1/4
16	606016315	60B16*	1-15/16	4.220	3-1/16	1-1/4
17	606017165	60B17*	1	4.463	3-1/4	1-1/4
17	606017185	60B17*	1-1/8	4.463	3-1/4	1-1/4
17	606017195	60B17*	1-3/16	4.463	3-1/4	1-1/4
17	606017205	60B17*	1-1/4	4.463	3-1/4	1-1/4
17	606017225	60B17*	1-3/8	4.463	3-1/4	1-1/4
17	606017235	60B17*	1-7/16	4.463	3-1/4	1-1/4
17	606017245	60B17*	1-1/2	4.463	3-1/4	1-1/4
17	606017265	60B17*	1-5/8	4.463	3-1/4	1-1/4
17	606017315	60B17*	1-15/16	4.463	3-1/4	1-1/4
18	606018165	60B18*	1	4.703	3-1/2	1-1/4
18	606018185	60B18*	1-1/8	4.703	3-1/2	1-1/4
18	606018195	60B18*	1-3/16	4.703	3-1/2	1-1/4
18	606018205	60B18*	1-1/4	4.703	3-1/2	1-1/4
18	606018225	60B18*	1-3/8	4.703	3-1/2	1-1/4
18	606018235	60B18*	1-7/16	4.703	3-1/2	1-1/4
18	606018245	60B18*	1-1/2	4.703	3-1/2	1-1/4
18	606018265	60B18*	1-5/8	4.703	3-1/2	1-1/4
18	606018285	60B18*	1-3/4	4.703	3-1/2	1-1/4
18	606018315	60B18*	1-15/16	4.703	3-1/2	1-1/4

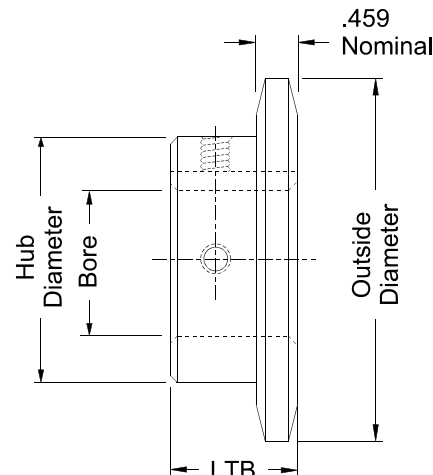
Sprockets

Larger 60 Series Sprockets continued on next page.

Keyway timed with centerline of tooth

* Teeth hardened to 30-45 Rc

[^] Has recessed groove in hub for chain clearance.



Chain Data	
Size	#60
Pitch	3/4
Roller Width	1/2
Roller Diameter	.469



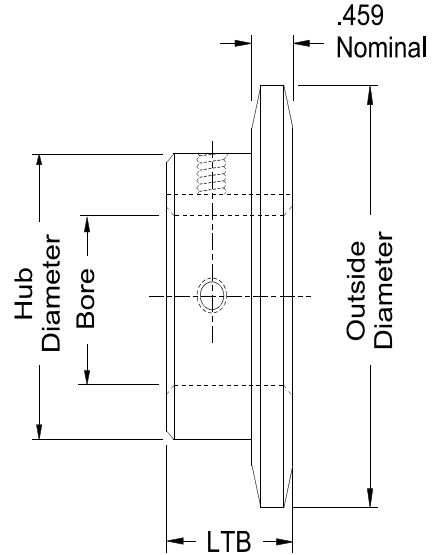
OMAHA, NEBRASKA
(402) 453-9595
1-800-442-6009
FAX (402) 453-1740

TYPE B FINISH BORE SPROCKETS NOVA IMPORT

No. 60 - 3/4" PITCH

Sprockets

No.	NOVA Import	Sprocket No.	Finish Bore	Outside Dia.	Hub	
	Stock No.				Dia.	LTB
19	606019165	60B19*	1	4.945	3-1/2	1-1/4
19	606019185	60B19*	1-1/8	4.945	3-1/2	1-1/4
19	606019195	60B19*	1-3/16	4.945	3-1/2	1-1/4
19	606019205	60B19*	1-1/4	4.945	3-1/2	1-1/4
19	606019235	60B19*	1-7/16	4.945	3-1/2	1-1/4
19	606019245	60B19*	1-1/2	4.945	3-1/2	1-1/4
20	606020165	60B20*	1	5.186	3-7/8	1-1/4
20	606020185	60B20*	1-1/8	5.186	3-7/8	1-1/4
20	606020195	60B20*	1-3/16	5.186	3-7/8	1-1/4
20	606020205	60B20*	1-1/4	5.186	3-7/8	1-1/4
20	606020225	60B20*	1-3/8	5.186	3-7/8	1-1/4
20	606020235	60B20*	1-7/16	5.186	3-7/8	1-1/4
20	606020245	60B20*	1-1/2	5.186	3-7/8	1-1/4
20	606020265	60B20*	1-5/8	5.190	3-7/8	1-1/4
20	606020285	60B20*	1-3/4	5.186	3-7/8	1-1/4
20	606020315	60B20*	1-15/16	5.186	3-7/8	1-1/4
21	606021165	60B21*	1	5.426	4	1-1/4
21	606021185	60B21*	1-1/8	5.426	4	1-1/4
21	606021195	60B21*	1-3/16	5.426	4	1-1/4
21	606021205	60B21*	1-1/4	5.426	4	1-1/4
21	606021225	60B21*	1-3/8	5.426	4	1-1/4
21	606021235	60B21*	1-7/16	5.426	4	1-1/4
21	606021245	60B21*	1-1/2	5.426	4	1-1/4
21	606021265	60B21*	1-5/8	5.426	4	1-1/4
21	606021285	60B21*	1-3/4	5.426	4	1-1/4
21	606021315	60B21*	1-15/16	5.426	4	1-1/4
22	606022165	60B22*	1	5.666	4	1-1/4
22	606022185	60B22*	1-1/8	5.426	4	1-1/4
22	606022195	60B22*	1-3/16	5.666	4	1-1/4
22	606022205	60B22*	1-1/4	5.666	4	1-1/4
22	606022225	60B22*	1-3/8	5.666	4	1-1/4
22	606022235	60B22*	1-7/16	5.666	4	1-1/4
22	606022245	60B22*	1-1/2	5.666	4	1-1/4
22	606022265	60B22*	1-5/8	5.666	4	1-1/4
22	606022285	60B22*	1-3/4	5.666	4	1-1/4
23	606023165	60B23*	1	5.906	4	1-1/4
23	606023185	60B23*	1-1/8	5.906	4	1-1/4
23	606023195	60B23*	1-3/16	5.906	4	1-1/4
23	606023205	60B23*	1-1/4	5.906	4	1-1/4
23	606023225	60B23*	1-3/8	5.906	4	1-1/4
23	606023235	60B23*	1-7/16	5.906	4	1-1/4
23	606023245	60B23*	1-1/2	5.906	4	1-1/4
23	606023265	60B23*	1-5/8	5.906	4	1-1/4
23	606023285	60B23*	1-3/4	5.906	4	1-1/4
23	606023315	60B23*	1-15/16	5.906	4	1-1/4



Chain Data	
Size	#60
Pitch	3/4
Roller Width	1/2
Roller Diameter	.469

Keyway timed with centerline of tooth
 * Teeth hardened to 30-45 Rc
 ^ Has recessed groove in hub for chain clearance.

Sprockets come with (2) set screws @ 0° & 90°

Larger 60 Series Sprockets continued on next page.

Keyway timed with centerline of tooth
 * Teeth hardened to 30-45 Rc

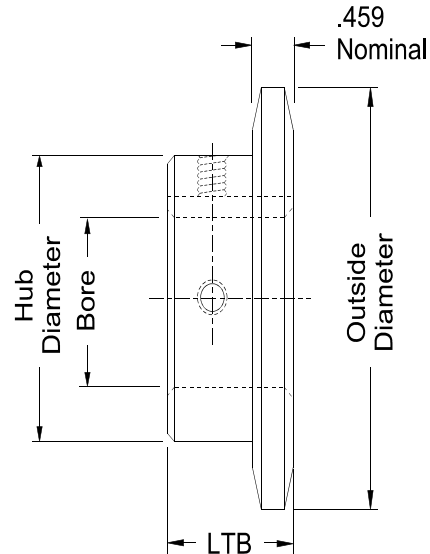
TYPE B FINISH BORE SPROCKETS NOVA IMPORT



OMAHA, NEBRASKA
(402) 453-9595
1-800-442-6009
FAX (402) 453-1740

No. 60 - 3/4" PITCH

No. Teeth	NOVA Import Stock No.	Sprocket No.	Finish Bore	Outside Dia.	Hub	
					Dia.	LTB
24	606024165	60B24*	1	6.147	4	1-1/4
24	606024185	60B24*	1-1/8	6.147	4	1-1/4
24	606024195	60B24*	1-3/16	6.147	4	1-1/4
24	606024205	60B24*	1-1/4	6.147	4	1-1/4
24	606024225	60B24*	1-3/8	6.147	4	1-1/4
24	606024235	60B24*	1-7/16	6.147	4	1-1/4
24	606024245	60B24*	1-1/2	6.147	4	1-1/4
24	606024265	60B24*	1-5/8	6.147	4	1-1/4
24	606024285	60B24*	1-3/4	6.147	4	1-1/4
24	606024315	60B24*	1-15/16	6.147	4	1-1/4
25	606025165	60B25*	1	6.387	4	1-1/4
25	606025185	60B25*	1-1/8	6.387	4	1-1/4
25	606025195	60B25*	1-3/16	6.367	4	1-1/4
25	606025205	60B25*	1-1/4	6.387	4	1-1/4
25	606025225	60B25*	1-3/8	6.387	4	1-1/4
25	606025235	60B25*	1-7/16	6.387	4	1-1/4
25	606025245	60B25*	1-1/2	6.387	4	1-1/4
25	606025265	60B25*	1-5/8	6.387	4	1-1/4
25	606025285	60B25*	1-3/4	6.387	4	1-1/4
25	606025315	60B25*	1-15/16	6.387	4	1-1/4
26	606026165	60B26*	1	6.627	4	1-1/4
26	606026185	60B26*	1-1/8	6.627	4	1-1/4
26	606026195	60B26*	1-3/16	6.627	4	1-1/4
26	606026205	60B26*	1-1/4	6.627	4	1-1/4
26	606026225	60B26*	1-3/8	6.627	4	1-1/4
26	606026235	60B26*	1-7/16	6.627	4	1-1/4
26	606026245	60B26*	1-1/2	6.627	4	1-1/4
26	606026285	60B26*	1-5/8	6.627	4	1-1/4
26	606026285	60B26*	1-3/4	6.627	4	1-1/4
26	606026315	60B26*	1-15/16	6.627	4	1-1/4
27	606027165	60B27*	1	6.867	4	1-1/4
27	606027185	60B27*	1-1/8	6.867	4	1-1/4
27	606027195	60B27*	1-3/16	6.867	4	1-1/4
27	606027205	60B27*	1-1/4	6.867	4	1-1/4
27	606027235	60B27*	1-3/8	6.867	4	1-1/4
27	606027235	60B27*	1-7/16	6.867	4	1-1/4
27	606027245	60B27*	1-1/2	6.867	4	1-1/4
27	606027265	60B27*	1-5/8	6.867	4	1-1/4
27	606027285	60B27*	1-3/4	6.867	4	1-1/4
27	606027315	60B27*	1-15/16	6.867	4	1-1/4
28	606028165	60B28*	1	7.106	4	1-1/4
28	606028185	60B28*	1-1/8	7.106	4	1-1/4
28	606028195	60B28*	1-3/16	7.106	4	1-1/4
28	606028205	60B28*	1-1/4	7.106	4	1-1/4
28	606028225	60B28*	1-3/8	7.106	4	1-1/4
28	606028245	60B28*	1-1/2	7.106	4	1-1/4
28	606028265	60B28*	1-5/8	7.106	4	1-1/4
28	606028285	60B28*	1-3/4	7.106	4	1-1/4
28	606028315	60B28*	1-15/16	7.106	4	1-1/4



Chain Data	
Size	#60
Pitch	3/4
Roller Width	1/2
Roller Diameter	.469

Sprockets come with (2) set screws @ 0° & 90°

Keyway timed with centerline of tooth

* Teeth hardened to 30-45 Rc

^ Has recessed groove in hub for chain clearance.

Sprockets come with (2) set screws @ 0° & 90°

Larger 60 Series Sprockets continued on next page.

Keyway timed with centerline of tooth

* Teeth hardened to 30-45 Rc

^ Has recessed groove in hub for chain clearance.



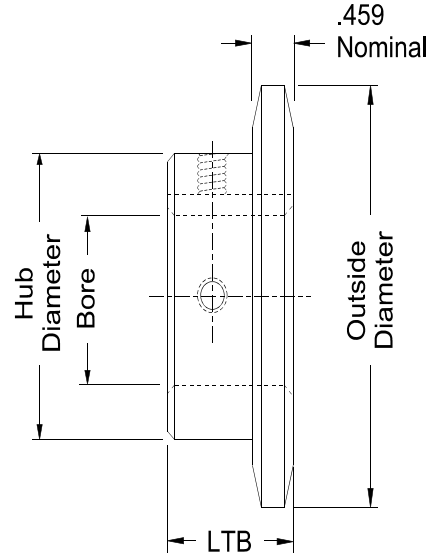
OMAHA, NEBRASKA
 (402) 453-9595
 1-800-442-6009
 FAX (402) 453-1740

TYPE B FINISH BORE SPROCKETS NOVA IMPORT

No. 60 - 3/4" PITCH

Sprockets

No. Teeth	NOVA Import Stock No.	Sprocket No.	Finish Bore	Outside Dia.	Hub	
					Dia.	LTB
30	606030165	60B30*	1	7.586	4	1-1/4
30	606030185	60B30*	1-1/8	7.586	4	1-1/4
30	606030195	60B30*	1-3/16	7.586	4	1-1/4
30	606030205	60B30*	1-1/4	7.586	4	1-1/4
30	606030225	60B30*	1-3/8	7.586	4	1-1/4
30	606030235	60B30*	1-7/16	7.856	4	1-1/4
30	606030245	60B30*	1-1/2	7.586	4	1-1/4
30	606030265	60B30*	1-5/8	7.586	4	1-1/4
30	606030285	60B30*	1-3/4	7.586	4	1-1/4
30	606030315	60B30*	1-15/16	7.586	4	1-1/4
32	606032165	60B32	1	8.065	4	1-1/4
32	606032185	60B32	1-1/8	8.065	4	1-1/4
32	606032195	60B32	1-3/8	8.065	4	1-1/4
32	606032205	60B32	1-1/4	8.065	4	1-1/4
32	606032225	60B32	1-3/8	8.065	4	1-1/4
32	606032235	60B32	1-7/16	8.065	4	1-1/4
32	606032245	60B32	1-1/2	8.065	4	1-1/4
32	606032265	60B32	1-5/8	8.065	4	1-1/4
32	606032285	60B32	1-3/4	8.065	4	1-1/4
32	606032315	60B32	1-15/16	8.065	4	1-1/4
35	606035165	60B35	1	8.783	4	1-1/4
35	606035185	60B35	1-1/8	8.783	4	1-1/4
35	606035195	60B35	1-3/16	8.783	4	1-1/4
35	606035205	60B35	1-1/4	8.783	4	1-1/4
35	606035225	60B35	1-3/8	8.783	4	1-1/4
35	606035235	60B35	1-7/16	8.783	4	1-1/4
35	606035245	60B35	1-1/2	8.783	4	1-1/4
35	606035265	60B35	1-5/8	8.783	4	1-1/4
35	606035285	60B35	1-3/4	8.783	4	1-1/4
35	606035315	60B35	1-15/16	8.783	4	1-1/4
36	606036165	60B36	1	9.023	4	1-1/4
36	606036185	60B36	1-1/8	9.023	4	1-1/4
36	606036195	60B36	1-3/16	9.023	4	1-1/4
36	606036205	60B36	1-1/4	9.023	4	1-1/4
36	606036225	60B36	1-3/8	9.023	4	1-1/4
36	606036235	60B36	1-7/16	9.023	4	1-1/4
36	606036245	60B36	1-1/2	9.023	4	1-1/4
36	606036265	60B36	1-5/8	9.023	4	1-1/4
36	606036285	60B36	1-3/4	9.023	4	1-1/4
36	606036315	60B36	1-15/16	9.023	4	1-1/4
36	606036325	60B36	2	9.023	4	1-1/4
36	606036355	60B36	2-3/16	9.023	4	1-1/4
36	606036395	60B36	2-7/16	9.023	4	1-1/4



Chain Data	
Size	#60
Pitch	3/4
Roller Width	1/2
Roller Diameter	.469

Sprockets come with (2) set screws @ 0° & 90°

Keyway timed with centerline of tooth
 * Teeth hardened to 30-45 Rc
 ^ Has recessed groove in hub for chain clearance.

WWW.GGMFG.COM
 Toll Free
 (800) 442-6009

TYPE B FINISH BORE SPROCKETS

NOVA IMPORT



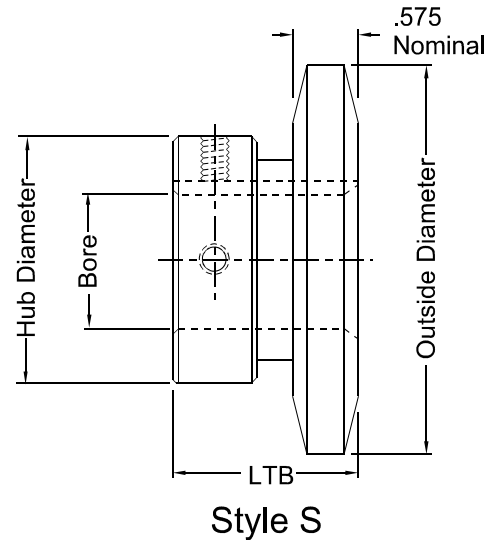
OMAHA, NEBRASKA
(402) 453-9595
1-800-442-6009
FAX (402) 453-1740

No. 80 - 1" PITCH

No. Teeth	NOVA Imp. Stock No.	Sprocket No.	Finish Bore	Out-side Dia.	Hub	
					Dia.	LTB
9	608009165	80B9*	1	3.347	2-1/4^	1-5/8
9	608009185	80B9*	1-1/8	3.347	2-1/4^	1-5/8
9	608009195	80B9*	1-3/16	3.347	2-1/4^	1-5/8
9	608009205	80B9*	1-1/4	3.347	2-1/4^	1-5/8
10	608010165	80B10*	1	3.678	2-9/16^	1-5/8
10	608010185	80B10*	1-1/8	3.678	2-9/16^	1-5/8
10	608010195	80B10*	1-3/16	3.678	2-9/16^	1-5/8
10	608010205	80B10*	1-1/4	3.678	2-9/16^	1-5/8
10	608010245	80B10*	1-1/2	3.678	2-9/16^	1-5/8
11	608011165	80B11*	1	4.000	2-13/16^	1-5/8
11	608011195	80B11*	1-3/16	4.000	2-13/16^	1-5/8
11	608011185	80B11*	1-1/8	4.000	2-13/16^	1-5/8
11	608011205	80B11*	1-1/4	4.000	2-13/16^	1-5/8
11	608011225	80B11*	1-3/8	4.000	2-13/16^	1-5/8
11	608011235	80B11*	1-7/16	4.000	2-13/16^	1-5/8
11	608011245	80B11*	1-1/2	4.000	2-13/16^	1-5/8
11	608011265	80B11*	1-5/8	4.000	2-13/16^	1-5/8
12	608012165	80B12*	1	4.332	3-1/8	1-5/8
12	608012195	80B12*	1-3/16	4.332	3-1/8	1-5/8
12	608012205	80B12*	1-1/4	4.332	3-1/8	1-5/8
12	608012225	80B12*	1-3/8	4.332	3-1/8	1-5/8
12	608012235	80B12*	1-7/16	4.330	3-1/8	1-5/8
12	608012245	80B12*	1-1/2	4.332	3-1/8	1-5/8
12	608012265	80B12*	1-5/8	4.332	3-1/8	1-5/8
12	608012285	80B12*	1-3/4	4.332	3-1/8	1-5/8
13	608013165	80B13*	1	4.657	3	1-1/2
13	608013235	80B13*	1-7/16	4.332	3-1/8	1-5/8
13	608013245	80B13*	1-1/2	4.332	3-1/8	1-5/8
13	608013265	80B13*	1-5/8	4.657	3	1-1/2
13	608013195	80B13*	1-3/16	4.657	3	1-1/2
13	608013205	80B13*	1-1/4	4.657	3	1-1/2
13	608013305	80B13*	1-7/8	4.657	3	1-1/2
13	608013315	80B13*	1-15/16	4.657	3	1-1/2
13	608013225	80B13*	1-3/8	4.660	3	1-1/2
13	608013285	80B13*	1-3/4	4.657	3	1-1/2
13	608013325	80B13*	2	4.657	3	1-1/2
14	608014165	80B14*	1	4.982	3-1/4	1-1/2
14	608014185	80B14*	1-1/8	4.982	3-1/4	1-1/2
14	608014195	80B14*	1-3/16	4.982	3-1/4	1-1/2
14	608014205	80B14*	1-1/4	4.982	3-1/4	1-1/2
14	608014225	80B14*	1-3/8	4.982	3-1/4	1-1/2
14	608014235	80B14*	1-7/16	4.982	3-1/4	1-1/2
14	608014245	80B14*	1-1/2	4.982	3-1/4	1-1/2
14	608014305	80B14*	1-7/8	4.982	3-1/4	1-1/2
14	608014315	80B14*	1-15/16	4.982	3-1/4	1-1/2
14	608014265	80B14*	1-5/8	4.982	3-1/4	1-1/2
14	608014285	80B14*	1-3/4	4.982	3-1/4	1-1/2
14	608014325	80B14*	2	4.982	3-1/4	1-1/2

No. Teeth	NOVA Imp. Stock No.	Sprocket No.	Finish Bore	Out-side Dia.	Hub	
					Dia.	LTB
15	608015165	80B15*	1	5.305	3-13/16	1-1/2
15	608015185	80B15*	1-1/8	5.305	3-13/16	1-1/2
15	608015195	80B15*	1-3/16	5.305	3-13/16	1-1/2
15	608015205	80B15*	1-1/4	5.305	3-13/16	1-1/2
15	608015225	80B16*	1-3/8	5.305	3-13/16	1-1/2
15	608015235	80B15*	1-7/16	5.305	3-13/16	1-1/2
15	608015245	80B15*	1-1/2	5.305	3-13/16	1-1/2
15	608015265	80B15*	1-5/8	5.305	3-13/16	1-1/2
15	608015285	80B15*	1-3/4	5.305	3-13/16	1-1/2
15	608015305	80B15*	1-7/8	5.305	3-13/16	1-1/2
15	608015315	80B15*	1-15/16	5.305	3-13/16	1-1/2

Sprockets



Larger 80 Series sprockets continued on next page

- Keyway timed with centerline of tooth
- * Teeth hardened to 30-45 Rc
- ^ Has recessed groove in hub for chain clearance.



OMAHA, NEBRASKA
(402) 453-9595
1-800-442-6009
FAX (402) 453-1740

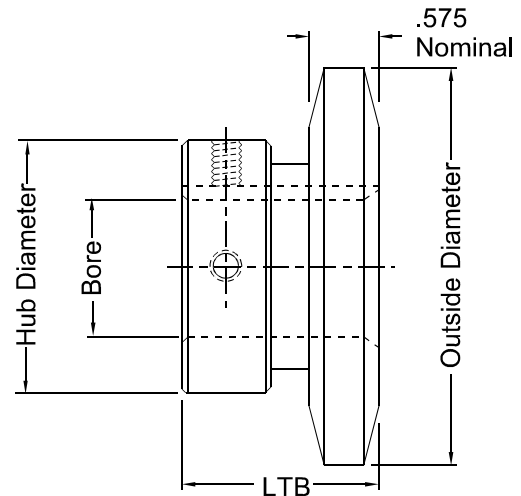
TYPE B FINISH BORE SPROCKETS NOVA IMPORT

No. 80 - 1" PITCH

Sprockets

No. Teeth	NOVA Imp. Stock No.	Sprocket No.	Finish Bore	Outside Dia.	Hub	
					Dia.	LTB
16	608016165	80B16*	1	5.627	4	1-1/2
16	608016195	80B16*	1-3/16	5.627	4	1-1/2
16	608016205	80B16*	1-1/4	5.627	4	1-1/2
16	608016225	80B16*	1-3/8	5.630	4	1-1/2
16	608016235	80B16*	1-7/16	5.630	4	1-1/2
16	608016245	80B16*	1-1/2	5.627	4	1-1/2
16	608016315	80B16*	1-5/8	5.627	4	1-1/2
16	608016285	80B16*	1-3/4	5.627	4	1-1/2
16	608016315	80B16*	1-15/16	5.627	4	1-1/2
16	608016325	80B16*	2	5.627	4	1-1/2
17	608017165	80B17*	1	5.950	4	1-1/2
17	608017195	80B17*	1-3/16	5.950	4	1-1/2
17	608017205	80B17*	1-1/4	5.950	4	1-1/2
17	608017225	80B17*	1-3/8	5.950	4	1-1/2
17	608017235	80B17*	1-7/16	5.950	4	1-1/2
17	608017245	80B17*	1-1/2	5.950	4	1-1/2
17	608017265	80B17*	1-5/8	5.950	4	1-1/2
17	608017285	80B17*	1-3/4	5.950	4	1-1/2
17	608017315	80B17*	1-15/16	5.950	4	1-1/2
18	608018165	80B18*	1	6.271	4-1/4	1-1/2
18	608018195	80B18*	1-3/16	6.271	4-1/4	1-1/2
18	608018205	80B18*	1-1/4	6.271	4-1/4	1-1/2
18	608018225	80B18*	1-3/8	6.271	4-1/4	1-1/2
18	608018235	80B18*	1-7/16	6.271	4-1/4	1-1/2
18	608018245	80B18*	1-1/2	6.271	4-1/4	1-1/2
18	608018265	80B18*	1-5/8	6.271	4-1/4	1-1/2
18	608018285	80B18*	1-3/4	6.271	4-1/4	1-1/2
18	608018315	80B18*	1-15/16	6.271	4-1/4	1-1/2
18	608018325	80B18*	2	6.271	4-1/4	1-1/2
19	608019165	80B19*	1	6.593	4-1/4	1-1/2
19	608019195	80B19*	1-3/16	6.593	4-1/4	1-1/2
19	608019205	80B19*	1-1/4	6.593	4-1/4	1-1/2
19	608019225	80B19*	1-3/8	6.593	4-1/4	1-1/2
19	608019235	80B19*	1-7/16	6.593	4-1/4	1-1/2
19	608019245	80B19*	1-1/2	6.593	4-1/4	1-1/2
19	608019265	80B19*	1-5/8	6.593	4-1/4	1-1/2
19	608019285	80B19*	1-3/4	6.593	4-1/4	1-1/2
19	608019315	80B19*	1-15/16	6.593	4-1/4	1-1/2
19	608019325	80B19*	2	6.593	4-1/4	1-1/2
20	608020165	80B20*	1	6.914	4-1/4	1-1/2
20	608020195	80B20*	1-3/16	6.914	4-1/4	1-1/2
20	608020205	80B20*	1-1/4	6.914	4-1/4	1-1/2
20	608020225	80B20*	1-3/8	6.914	4-1/4	1-1/2
20	608020235	80B20*	1-7/16	6.914	4-1/4	1-1/2
20	608020245	80B20*	1-1/2	6.914	4-1/4	1-1/2
20	608020265	80B20*	1-5/8	6.914	4-1/4	1-1/2
20	608020285	80B20*	1-3/4	6.914	4-1/4	1-1/2
20	608020315	80B20*	1-15/16	6.914	4-1/4	1-1/2

No. Teeth	NOVA Imp. Stock No.	Sprocket No.	Finish Bore	Outside Dia.	Hub	
					Dia.	LTB
22	608022165	80B22	1	7.555	4-1/4	1-1/2
22	608022195	80B22	1-3/16	7.555	4-1/4	1-1/2
22	608022205	80B22	1-1/4	7.555	4-1/4	1-1/2
22	608022225	80B22	1-3/8	7.555	4-1/4	1-1/2
22	608022235	80B22	1-7/16	7.555	4-1/4	1-1/2
22	608022245	80B22	1-1/2	7.555	4-1/4	1-1/2
22	608022265	80B22	1-5/8	7.555	4-1/4	1-1/2
22	608022285	80B22	1-3/4	7.555	4-1/4	1-1/2
22	608022315	80B22	1-15/16	7.555	4-1/4	1-1/2
23	608023165	80B23	1	7.765	4 5/16	1-1/2
23	608023195	80B23	1-3/16	7.765	4 5/16	1-1/2
23	608023205	80B23	1-1/4	7.765	4 5/16	1-1/2
23	608023235	80B23	1-7/16	7.765	4 5/16	1-1/2
23	608023245	80B23	1-1/2	7.765	4 5/16	1-1/2
23	608023265	80B23	1-5/8	7.765	4 5/16	1-1/2
23	608023285	80B23	1-3/4	7.765	4 5/16	1-1/2
23	608023315	80B23	1-15/16	7.765	4 5/16	1-1/2
24	608024165	80B24	1	7.965	4 5/16	1-1/2
24	608024195	80B24	1-3/16	7.965	4 5/16	1-1/2
24	608024205	80B24	1-1/4	7.965	4 5/16	1-1/2
24	608024235	80B24	1-7/16	7.965	4 5/16	1-1/2
24	608024245	80B24	1-1/2	7.965	4 5/16	1-1/2
24	608024265	80B24	1-5/8	7.965	4 5/16	1-1/2
24	608024285	80B24	1-3/4	7.965	4 5/16	1-1/2
24	608024315	80B24	1-15/16	7.965	4 5/16	1-1/2



Style S

- Keyway timed with centerline of tooth
- * Teeth hardened to 30-45 Rc
- ^ Has recessed groove in hub for chain clearance.

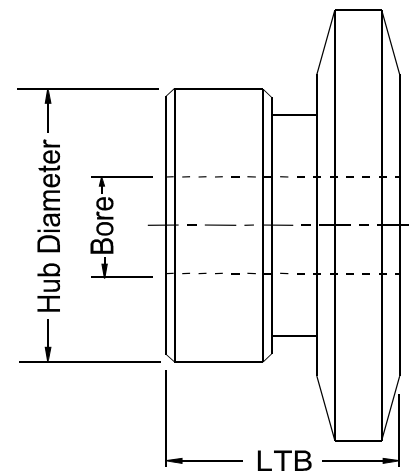
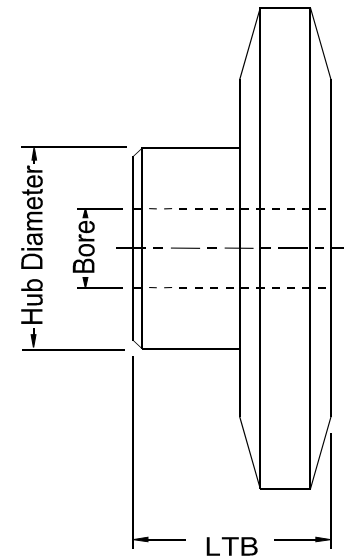
Sprockets come with (2) set screws @ 0° & 90°

STEEL SPROCKETS STOCK BORE TYPE B



OMAHA, NEBRASKA
(402) 453-9595
1-800-442-6009
FAX (402) 453-1740

USA Stock No.	NOVA Import Stock No.	Chain Size	No. of Teeth	Stock Bore	Hub Dia.	LTB	Wt. Lbs.
00903510	603510005	35	10	1/4	1*	3/4	.18
00903511	603511005	35	11	1/4	1-1/16*	3/4	.20
00903512	603512005	35	12	1/4	1-7/32*	3/4	.21
00903513	603513005	35	13	1/4	1-1/8	3/4	.22
00903514	603514005	35	14	1/4	1-1/4	3/4	.25
00903515	603515005	35	15	1/4	1-3/8	3/4	.32
00903516	603516005	35	16	1/4	1-1/2	3/4	.38
00903517	603517005	35	17	1/4	1-5/8	3/4	.44
00903518	603518005	35	18	1/4	1-3/4	3/4	.50
00903519		35	19	1/4	1-13/16	3/4	.56
00903520		35	20	1/4	1-15/16	7/8	.75
00903521		35	21		2-1/16	7/8	1.13
00903522		35	22	1/4	2-3/16	7/8	1.35
00904109		41	9	1/2	1-1/8*	7/8	.20
00904110		41	10	1/2	1-1/4*	7/8	.25
00904111		41	11	1/2	1-7/16*	7/8	.38
00904112		41	12	1/2	1-5/8*	7/8	.44
00904113		41	13	1/2	1-3/4*	7/8	.56
00904114		41	14	1/2	1-11/16	7/8	.56
00904115		41	15	1/2	1-7/8	7/8	.70
00904116		41	16	5/8	2	7/8	.75
00904117		41	17	5/8	2-1/8	7/8	.88
00904118		41	18	5/8	2-5/16	7/8	1.06
00904119		41	19	5/8	2-1/2	7/8	1.25
00904120		41	20	5/8	2-5/8	1	1.56
00904121		41	21	5/8	2-3/4	1	1.75
00904122		41	22	5/8	2-3/4	1	1.75
00904123		41	23	5/8	2-3/4	1	1.75
00904009	604009005	40	9	1/2	1-1/8*	7/8	.20
00904010	604010005	40	10	1/2	1-1/4*	7/8	.25
00904011	604011005	40	11	1/2	1-7/16*	7/8	.25
00904012	604012005^	40	12	1/2	1-5/8*	7/8	.38
00904013	604013005^	40	13	1/2	1-3/4*	7/8	.44
00904014	604014005	40	14	1/2	1-11/16	7/8	.50
00904015	604015005^	40	15	1/2	1-7/8	7/8	.63
00904016	604016005	40	16	5/8	2	7/8	.75
00904017	604017005	40	17	5/8	2-1/8	7/8	.88
00904018	604018005	40	18	5/8	2-5/16	7/8	.94
00904019	604019005	40	19	5/8	2-1/2	7/8	1.00
00904020	604020005	40	20	5/8	2-5/8	1	1.19
00904021	604021005	40	21	5/8	2-3/4	1	1.32
00904022	604022005^	40	22	5/8	2-3/4	1	1.32
00904023	604023005^	40	23	5/8	2-3/4	1	1.32
	604024005	40	24	5/8	3-1/4	1-1/4	2.41
	604025005	40	25	5/8	3-1/4	1-1/4	2.54
	604026005	40	26	5/8	3-1/4	1-1/4	2.58



Sprockets

WWW.GGMFG.COM

Toll Free

(800) 442-6009

* Has recessed groove in hub for chain clearance.

^ Hub dimension varies from Domestic

~ LTB dimension varies from Domestic

Import Sprockets come with Hardened Teeth 30-45 Rc

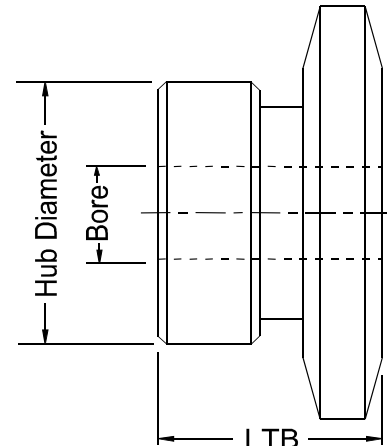
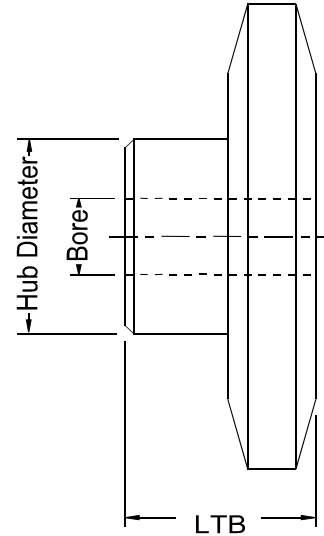


OMAHA, NEBRASKA
 (402) 453-9595
 1-800-442-6009
 FAX (402) 453-1740

STEEL SPROCKETS STOCK BORE TYPE B

Sprockets

USA Stock No.	NOVA Import Stock No.	Chain Size	No. of Teeth	Stock Bore	Hub Dia.	LTB	Wt. Lbs.
00905009	605009005	50	9	5/8	1-3/8*	1	.38
00905010	605010005^	50	10	5/8	1-19/32*	1	.44
00905011	605011005^	50	11	5/8	1-25/32*	1	.63
00905012	605012005^	50	12	5/8	2*	1	.75
00905013	605013005^	50	13	5/8	2-3/16*	1	.88
00905014	605014005	50	14	5/8	2-1/8	1	1.13
00905015	605015005^	50	15	5/8	2-1/4	1	1.25
00905016	605016005	50	16	5/8	2-1/2	1	1.50
00905017	605017005	50	17	5/8	2-11/16	1	1.75
00905018	605018005	50	18	5/8	2-7/8	1	2.00
	605019005	50	19	5/8	3	1	2.22
	605020005	50	20	3/4	3	1	2.28
	605021005	50	21	3/4	3	1	2.40
	605022005	50	22	3/4	3	1	2.56
	605023005	50	23	3/4	3	1	2.66
	605024005	50	24	3/4	3	1-1/4	3.30
	605025005	50	25	3/4	3	1-1/4	3.40
	605026005	50	26	3/4	3	1-1/4	3.44
00906009	606009005	60	9	3/4	1-11/16*	1-1/4	.69
00906010	606010005	60	10	3/4	1-15/16*	1-1/4	.94
00906011	606011005^	60	11	3/4	2-1/8*	1-1/4	.94
00906012	606012005	60	12	3/4	2-3/8*	1-1/4	1.33
00906013	606013005^	60	13	3/4	2-1/4	1-1/4	1.44
00906014	606014005^	60	14	3/4	2-1/2	1-1/4	1.75
00906015	606015005^	60	15	3/4	2-5/8	1-1/4	1.94
	606016005	60	16	3/4	3-1/16	1-1/4	2.81
	606017005	60	17	3/4	3-1/4	1-1/4	3.22
	606018005	60	18	3/4	3-1/2	1-1/4	3.72
	606019005	60	19	3/4	3-1/2	1-1/4	3.92
	606020005	60	20	3/4	3-7/8	1-1/4	4.63
	606021005	60	21	3/4	4	1-1/4	5.00
	606022005	60	22	3/4	4	1-1/4	5.25
	606023005	60	23	3/4	4	1-1/4	5.48
	606024005	60	24	3/4	4	1-1/4	5.78
00908009		80	9	3/4	2-1/8*	1-5/8	1.25
00908010	608010005^	80	10	1	2-1/2*	1-5/8	1.56
00908011	608011005^	80	11	1	2-7/8*	1-5/8	2.06
00908012	608012005^	80	12	1	2-11/16	1-5/8	2.97
00908013	608013005~	80	13	1	3	1-5/8	3.69
00908014	608014005^~	80	14	1	3-5/16	1-5/8	4.47
00908015	608015005^~	80	15	1	3-11/16	1-5/8	5.38
	608016005	80	16	1	4	1-1/2	5.90
	608017005	80	17	1	4	1-1/2	6.60
	608018005	80	18	1	4-1/4	1-1/2	7.30



WWW.GGMFG.COM

Toll Free

(800) 442-6009

* Has recessed groove in hub for chain clearance.

^ Hub dimension varies from Domestic

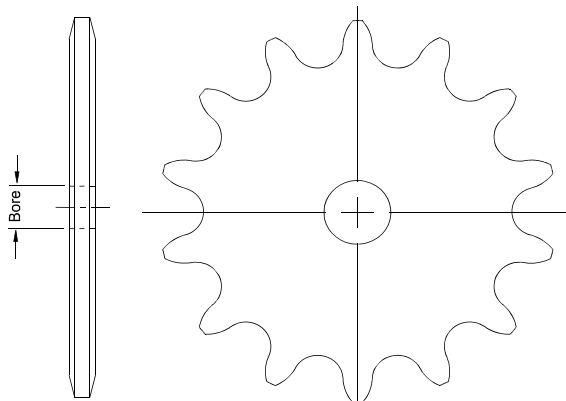
~ LTB dimension varies from Domestic

Import Sprockets come with Hardened Teeth 30-45 Rc

STEEL SPROCKETS STOCK BORE TYPE A NOVA IMPORT



OMAHA, NEBRASKA
(402) 453-9595
1-800-442-6009
FAX (402) 453-1740



Sprockets

Stock No.	Chain Size	No. of Teeth	Stock Bore	Wt. Lbs.
250040105	40	10	1/2	.22
250040115	40	11	1/2	.23
250040125	40	12	1/2	.25
250040135	40	13	1/2	.25
250040145	40	14	1/2	.25
250040155	40	15	5/8	.25
250040165	40	16	5/8	.32
250040175	40	17	5/8	.38
250040185	40	18	5/8	.38
250040195	40	19	5/8	.44
250040205	40	20	5/8	.50
250040215	40	21	5/8	.56
250040225	40	22	5/8	.56
250040235	40	23	5/8	.69
250040245	40	24	5/8	.75
250040255	40	25	5/8	.83
250040265	40	26	5/8	.88
250040275	40	27	5/8	1.00
250040285	40	28	5/8	1.06
250040305	40	30	5/8	1.19
250040325	40	32	5/8	1.38
250040355	40	35	5/8	1.63
250040365	40	36	5/8	1.63
250040405	40	40	5/8	2.25
250040455	40	45	3/4	2.75
250040485	40	48	3/4	3.25
250050105	50	10	1/2	.30
250050115	50	11	1/2	.31
250050125	50	12	5/8	.32
250050135	50	13	5/8	.38
250050145	50	14	5/8	.44
250050155	50	15	5/8	.50
250050165	50	16	5/8	.63
250050175	50	17	5/8	.69
250050185	50	18	5/8	.75

Stock No.	Chain Size	No. of Teeth	Stock Bore	Wt. Lbs.
250050195	50	19	5/8	.88
250050205	50	20	3/4	1.00
250050215	50	21	3/4	1.13
250050225	50	22	3/4	1.19
250050235	50	23	3/4	1.38
250050245	50	24	3/4	1.44
250050255	50	25	3/4	1.56
250050265	50	26	3/4	1.69
250050275	50	27	3/4	1.88
250050285	50	28	3/4	2.00
250050305	50	30	3/4	2.32
250050325	50	32	3/4	2.63
250050345	50	34	3/4	3.13
250050365	50	36	3/4	3.38
250050405	50	40	3/4	4.19
250060095	60	9	1/2	.42
250060105	60	10	3/4	.44
250060115	60	11	3/4	.56
250060125	60	12	3/4	.63
250060135	60	13	3/4	.83
250060145	60	14	3/4	1.00
250060155	60	15	3/4	1.13
250060165	60	16	3/4	1.25
250060175	60	17	3/4	1.50
250060185	60	18	3/4	1.63
250060195	60	19	3/4	1.88
250060205	60	20	3/4	2.13
250060215	60	21	3/4	2.32
250060225	60	22	3/4	2.63
250060235	60	23	3/4	2.75
250060245	60	24	3/4	3.00
250060255	60	25	3/4	3.44
250060265	60	26	3/4	3.69
250060275	60	27	3/4	4.00
250060285	60	28	3/4	4.25

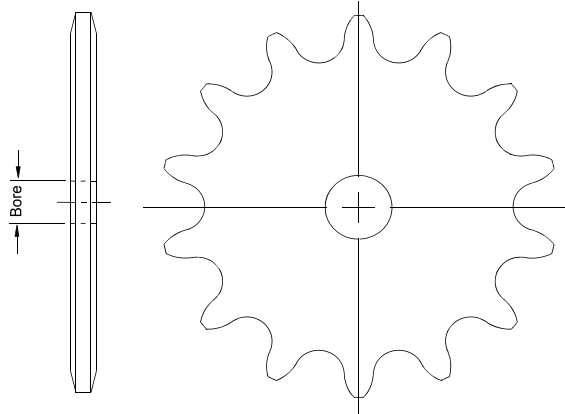
ADDITIONAL SIZES AVAILABLE BY QUOTATION



OMAHA, NEBRASKA
 (402) 453-9595
 1-800-442-6009
 FAX (402) 453-1740

STEEL SPROCKETS STOCK BORE TYPE A NOVA IMPORT

Sprockets



Stock No.	Chain Size	No. of Teeth	Stock Bore	Wt. Lbs.
250060305	60	30	3/4	4.75
250060325	60	32	3/4	5.38
250060345	60	34	1	6.13
250060355	60	35	1	6.38
250060365	60	36	1	7.00
250060405	60	40	1	8.50
250080095	80	9	15/16	.80
250080105	80	10	15/16	1.0
250080115	80	11	15/16	1.30
250080125	80	12	15/16	1.60
250080135	80	13	15/16	1.90
250080145	80	14	15/16	2.20
250080155	80	15	15/16	2.50
250080165	80	16	15/16	2.90
250080175	80	17	15/16	3.20
250080185	80	18	15/16	3.50
250080195	80	19	15/16	3.80
250080205	80	20	15/16	4.10
250080215	80	21	15/16	4.40
250080225	80	22	15/16	4.70
250080235	80	23	15/16	5.00
250080245	80	24	15/16	5.30
250080255	80	25	15/16	5.60
250080265	80	26	13/16	5.90
250080275	80	27	13/16	6.20
250080285	80	28	13/16	6.50
250080305	80	30	13/16	6.80
250080325	80	32	13/16	7.10
250080355	80	35	13/16	7.40
250080365	80	36	13/16	7.70
250080405	80	40	13/16	8.00

ADDITIONAL SIZES AVAILABLE BY QUOTATION

FLAME CUT SPROCKETS For ENGINEERING CHAIN



OMAHA, NEBRASKA
(402) 453-9595
1-800-442-6009
FAX (402) 453-1740

G&G Manufacturing Company offers many Stock Engineering Chain Sprockets available in a variety of chain sizes with stock, finished, or special bores.

SEND YOUR SAMPLE OR PRINTS FOR QUOTATION



Conveyor Style

78 - 82 - 124 - 132



Driver Style

62 - 1568 - 1030 - 238 -
1240 - 635 - 1207

MATERIAL: Mild Steel. Other materials available on request.

SERIES & PITCH		INDEX	PAGE
62	1.654	28
78	2.609	28
1568	3.067	28
1030	3.075	29
82	3.075	29
238	3.500	29
124	4.000	29
1240	4.063	30
635	4.500	30
1207	5.000	30
132	6.050	30



OMAHA, NEBRASKA
(402) 453-9595
1-800-442-6009
FAX (402) 453-1740

FLAME CUT SPROCKETS for Engineering Chains

SERIES **FLAME CUT SPROCKET FOR CHAINS: Driver Style**

62

62 CAST - 2 - 062 - 62 STEEL - 62A - HF 62A - 62 H - H 62 - 072 - 72 1/2 - 162 - R 362 - RR 362 - R 432 - RR 342 - 962 - LXS 627 - IS 620 - 162 R - US 622 - 378 R - 402 RX - US 620

Type A - 1.654" Pitch

PLATE THICKNESS 3/4"
ROLLER DIAMETER 13/16"

No. of Teeth	Stock Number	Sprocket Number	Pitch Dia.	Stock Bore	Max. Bore	No. of Teeth	Stock Number	Sprocket Number	Pitch Dia.	Stock Bore	Max. Bore
12	15400012	62A12	6.39	15/16	2 3/4	24	15400024	62A24	12.67	1 1/4	3 3/4
13	15400013	62A13	6.91	15/16	3 1/4	26	15400026	62A26	13.72	1 1/4	3 3/4
14	15400014	62A14	7.43	15/16	3 1/4	30	15400030	62A30	15.82	1 1/4	3 3/4
15	15400015	62A15	7.96	15/16	3 3/4	36	15400036	62A36	18.98	1 1/4	3 3/4
17	15400017	62A17	9.00	15/16	3 1/4	54	15400054	62A54	28.45	1 1/4	3 3/4
19	15400019	62A19	10.05	15/16	3 1/4	60	15400060	62A60	31.60	1 1/4	3 3/4
20	15400020	62A20	10.57	15/16	3 1/4						

SERIES **FLAME CUT SPROCKET FOR CHAINS: Conveyor Style**

78

78 - H 74 - 75 - H 75 - H 78 - H 78 LR - (14 - 18 TEETH ONLY) - H 78 RT - H 78 SR - H 79 - 88 - 188 - S 188 - S 78 - R 588 - RR 588 - R 778 - RR 778 - 988 - IS 880 - 87R - IS 881 - 81 X - IS 88S - 433 1/2 - LXS 881 - LXS 886 - US 881 - LXS 887 - LXS 882 - 488 - XS 578 - SS 188 - C 188 - US 278 R - US 882 - 578 R - 588 R

Type A - 2.609" Pitch

PLATE THICKNESS 7/8"
ROLLER DIAMETER 7/8"

No. of Teeth	Stock Number	Sprocket Number	Pitch Dia.	Stock Bore	Max. Bore	No. of Teeth	Stock Number	Sprocket Number	Pitch Dia.	Stock Bore	Max. Bore
8	15400108	78A8	6.82	15/16	3 1/4	24	15400124	78A24	19.99	1 1/2	4 1/2
9	15400109	78A9	7.63	1 1/4	3 7/16	25	15400125	78A25	20.82	1 1/2	4 1/2
10	15400110	78A10	8.44	1 1/4	3 7/16	28	15400128	78A28	23.31	1 1/2	4 1/2
11	15400111	78A11	9.26	1 1/4	3 7/16	30	15400130	78A30	24.96	1 1/2	4 1/2
12	15400112	78A12	10.08	1 1/4	3 7/16	35	15400135	78A35	29.11	1 1/2	4 1/2
13	15400113	78A13	10.90	1 1/4	3 3/4	40	15400140	78A40	33.25	1 1/2	4 15/16
14	15400114	78A14	11.72	1 1/4	3 3/4	42	15400142	78A42	34.91	1 1/2	4 15/16
15	15400115	78A15	12.55	1 1/2	3 3/4	46	15400146	78A46	38.31	1 1/2	4 15/16
17	15400117	78A17	14.20	1 1/2	3 3/4	54	15400154	78A54	44.87	1 1/2	4 15/16
19	15400119	78A19	15.85	1 1/2	4 1/2	60	15400160	78A60	49.85	1 1/2	4 15/16
21	15400121	78A21	17.51	1 1/2	4 1/2						

SERIES **FLAME CUT SPROCKET FOR CHAINS: Driver Style**

1568

AX 1568 - X 568 - JS 3011 - SS 568 - XX 568 - 1803 A - 1803 AB - MXS 3011 - IS 3011 - IS 3010 - US 3011 - LXS 3011 - LXS 3011 M

Type A - 3.067" Pitch

PLATE THICKNESS 1 1/4"
ROLLER DIAMETER 1 5/8"

No. of Teeth	Stock Number	Sprocket Number	Pitch Dia.	Stock Bore	Max. Bore	No. of Teeth	Stock Number	Sprocket Number	Pitch Dia.	Stock Bore	Max. Bore
10	15400210	1568A10	9.92	1 1/2	3 3/4	36	15400236	1568A36	35.19	1 1/2	5 3/8
12	15400212	1568A12	11.85	1 1/2	3 3/4	42	15400242	1568A42	41.04	1 1/2	5 1/2
14	15400214	1568A14	13.78	1 1/2	3 3/4	48	15400248	1568A48	46.89	1 1/2	5 1/2
30	15400230	1568A30	29.34	1 1/2	4 1/2						

WWW.GGMFG.COM

Toll Free
(800) 442-6009

FLAME CUT SPROCKETS for Engineering Chains



OMAHA, NEBRASKA
(402) 453-9595
1-800-442-6009
FAX (402) 453-1740

SERIES **1030** **FLAME CUT SPROCKET FOR CHAINS: Driver Style**
1030 - CHAMPION NO. 3 - R 1033 - R 1035 - 1037 - 1539 - SS 40 - LXS 1031 - API 3 - LXS 1032 -
SS 40 Hyp - IS 1030 - IS 1031 - IS 1032 - IS 1037 - US 1031 - 1190 - SXX - 1190 R - US 1032
Type A - 3.075" Pitch

PLATE THICKNESS 1 1/4"
ROLLER DIAMETER 1 1/4"

No. of Teeth	Stock Number	Sprocket Number	Pitch Dia.	Stock Bore	Max. Bore
8	15400308	1030A8	8.05	1 1/4	3 1/4
9	15400309	1030A9	8.99	1 1/4	3 1/4
10	15400310	1030A10	9.95	1 1/4	3 1/4
11	15400311	1030A11	10.91	1 1/2	3 3/4
12	15400312	1030A12	11.88	1 1/2	3 3/4
13	15400313	1030A13	12.85	1 1/2	3 3/4
15	15400315	1030A15	14.79	1 1/2	4
17	15400317	1030A17	16.73	1 1/2	4
19	15400319	1030A19	18.68	1 1/2	4 1/2
21	15400321	1030A21	20.63	1 1/2	4 1/2

No. of Teeth	Stock Number	Sprocket Number	Pitch Dia.	Stock Bore	Max. Bore
24	15400324	1030A24	23.56	1 1/2	4 1/2
25	15400325	1030A25	24.53	1 1/2	5 3/8
28	15400328	1030A28	27.46	1 1/2	5 3/8
30	15400330	1030A30	29.42	1 1/2	5 3/8
35	15400335	1030A35	34.30	1 1/2	5 1/2
40	15400340	1030A40	39.19	1 1/2	5 1/2
42	15400342	1030A42	41.15	1 1/2	5 1/2
48	15400348	1030A48	47.03	1 1/2	6 1/2
54	15400354	1030A54	52.89	1 1/2	6 1/2
60	15400360	1030A60	58.75	1 1/2	7

SERIES **82** **FLAME CUT SPROCKET FOR CHAINS: Conveyor Style**
H 82 - WH 82 - WR 82 - 103 - 131 - S 131 - WS 82 - WS 82 H - SS 131 - 527 R - 527 RX - C 9103 - 6131 -
4103 - C 131 - 382
Type A - 3.075" Pitch

PLATE THICKNESS 1 1/8"
ROLLER DIAMETER 1 7/32"

No. of Teeth	Stock Number	Sprocket Number	Pitch Dia.	Stock Bore	Max. Bore
7	15400407	82A7	7.09	1 3/16	2 15/16
8	15400408	82A8	8.04	1 1/4	3 3/4
9	15400409	82A9	8.99	1 1/4	3 3/4
10	15400410	82A10	9.95	1 1/4	3 3/4
11	15400411	82A11	10.91	1 1/4	3 15/16
12	15400412	82A12	11.88	1 1/4	3 15/16

No. of Teeth	Stock Number	Sprocket Number	Pitch Dia.	Stock Bore	Max. Bore
13	15400413	82A13	12.85	1 1/4	3 15/16
14	15400414	82A14	13.85	1 1/4	3 15/16
15	15400415	82A15	14.79	1 1/2	4 1/2
16	15400416	82A16	15.76	1 1/2	4 1/2
17	15400417	82A17	16.73	1 1/2	4 1/2
18	15400418	82A18	17.71	1 1/2	4 1/2

SERIES **238** **FLAME CUT SPROCKET FOR CHAINS: Driver Style**
RX 238 - IS 3514 J - 1616 A - MXS 3514 - US 3514 - LXS 3514 - LXS 3514 M
Type A - 3.500" Pitch

PLATE THICKNESS 1 1/4"
ROLLER DIAMETER 1 3/4"

No. of Teeth	Stock Number	Sprocket Number	Pitch Dia.	Stock Bore	Max. Bore
10	15400510	238A10	11.33	1 1/2	3 3/4
12	15400512	238A12	13.52	1 1/2	3 3/4
14	15400514	238A14	15.73	1 1/2	3 3/4
30	15400530	238A30	33.48	1 1/2	4

No. of Teeth	Stock Number	Sprocket Number	Pitch Dia.	Stock Bore	Max. Bore
36	15400536	238A36	40.16	1 1/2	4
42	15400542	238A42	46.84	1 1/2	5 1/2
48	15400548	238A48	53.52	1 1/2	5 1/2

SERIES **124** **FLAME CUT SPROCKET FOR CHAINS: Conveyor Style**
H 124 - W 124 - WS 124 - WR 124 - WH 124
Type A - 4.000" Pitch

PLATE THICKNESS 1 1/2"
ROLLER DIAMETER 1 1/2"

No. of Teeth	Stock Number	Sprocket Number	Pitch Dia.	Stock Bore	Max. Bore
6	15400606	124A6	8.00	15/16	3 1/4
7	15400607	124A7	9.22	1	3 15/16
8	15400608	124A8	10.45	1	3 15/16
9	15400609	124A9	11.70	1	3 15/16
10	15400610	124A10	12.94	1	3 15/16
11	15400611	124A11	14.20	1 1/2	4 1/4

No. of Teeth	Stock Number	Sprocket Number	Pitch Dia.	Stock Bore	Max. Bore
12	15400612	124A12	15.45	1 1/2	4 1/4
13	15400613	124A13	16.72	1 1/2	4 1/4
14	15400614	124A14	17.98	1 1/2	4 1/4
15	15400615	124A15	19.24	1 1/2	4 3/8
16	15400616	124A16	20.50	1 1/2	4 3/8



OMAHA, NEBRASKA
(402) 453-9595
1-800-442-6009
FAX (402) 453-1740

FLAME CUT SPROCKETS for Engineering Chains

SERIES **1240** **FLAME CUT SPROCKET FOR CHAINS: Driver Style**

1240 - CHAMPION NO. 4 - 1244 - RX 1245 - R 1248 - SS 124 - API 4 - LXS 1242 - SS 124 -
3 BAR HYPER - LXS 1245 - SS 124 D - SS 124 DP - IS 1242 - IS 1425

Type A - 4.063" Pitch

PLATE THICKNESS 1 3/4"
ROLLER DIAMETER 1 3/4"

No. of Teeth	Stock Number	Sprocket Number	Pitch Dia.	Stock Bore	Max. Bore
6	15400706	1240A6	8.13	15/16	2 1/2
7	15400707	1240A7	9.36	1 1/4	3 3/4
8	15400708	1240A8	10.62	1 1/2	4 1/2
9	15400709	1240A9	11.88	1 1/2	4 1/2
10	15400710	1240A10	13.15	1 1/2	4 1/2
11	15400711	1240A11	14.42	1 1/2	4 1/2
12	15400712	1240A12	15.70	1 1/2	5 1/4
13	15400713	1240A13	16.98	1 1/2	5 1/4
14	15400714	1240A14	18.26	1 1/2	5 1/4
15	15400715	1240A15	19.54	1 1/2	5 1/4
16	15400716	1240A16	20.83	1 1/2	5 1/2

No. of Teeth	Stock Number	Sprocket Number	Pitch Dia.	Stock Bore	Max. Bore
18	15400718	1240A18	23.40	1 1/2	5 1/2
20	15400720	1240A20	25.97	1 1/2	5 1/2
21	15400721	1240A21	27.26	1 1/2	5 1/2
24	15400724	1240A24	31.12	1 1/2	5 1/2
25	15400725	1240A25	33.42	1 1/2	6
28	15400728	1240A28	36.29	1 1/2	6
30	15400730	1240A30	38.87	1 1/2	7
35	15400735	1240A35	45.33	1 1/2	7
40	15400740	1240A40	51.78	1 1/2	7 1/2
48	15400748	1240A48	62.12	1 1/2	7 1/2

SERIES **635** **FLAME CUT SPROCKET FOR CHAINS: Driver Style**

RO 635 - B 635 - X 635 - 1350 - 450 SX - 450 SXX - IS 4522 - 1340 RX - LXS 4522 M

Type A - 4.500" Pitch

PLATE THICKNESS 1 3/4"
ROLLER DIAMETER 2 1/4"

No. of Teeth	Stock Number	Sprocket Number	Pitch Dia.	Stock Bore	Max. Bore
10	15400810	635A10	14.56	1 1/2	4
12	15400812	635A12	17.39	1 1/2	4
14	15400814	635A14	20.22	1 1/2	4
30	15400830	635A30	43.05	1 1/2	5 3/8

No. of Teeth	Stock Number	Sprocket Number	Pitch Dia.	Stock Bore	Max. Bore
36	15400836	635A36	51.63	1 1/2	5 3/8
42	15400842	635A42	60.22	1 1/2	6 1/2
48	15400848	635A48	68.81	1 1/2	7 1/2

SERIES **1207** **FLAME CUT SPROCKET FOR CHAINS: Driver Style**

RX1207 - RO 1205 - A 1302 - JS 5031 - 1510 XX - 1602 A - 1602 AA - US 5201 A - LXS 5028 -
LXS 6038 M - MXS 5028

Type A - 5.000" Pitch

PLATE THICKNESS 2 1/4"
ROLLER DIAMETER 2 1/2"

No. of Teeth	Stock Number	Sprocket Number	Pitch Dia.	Stock Bore	Max. Bore
10	15400910	1207A10	16.18	1 1/2	4 1/2
12	15400912	1207A12	19.32	1 1/2	4 1/2
14	15400914	1207A14	22.47	1 1/2	5 3/8
30	15400930	1207A30	47.84	1 1/2	6

No. of Teeth	Stock Number	Sprocket Number	Pitch Dia.	Stock Bore	Max. Bore
36	15400936	1207A36	57.37	1 1/2	7
42	15400942	1207A42	66.91	1 1/2	7
48	15400948	1207A48	76.45	1 1/2	7 1/2

SERIES **132** **FLAME CUT SPROCKET FOR CHAINS: Driver Style**

C 132 - A 132 - A 132 WS - WS 132 - C 132 M - C 132 W - SX 150 - SXA 150 - 150 X - 6150 -
WH 157 - WR 157

Type A - 6.050" Pitch

PLATE THICKNESS 2 3/4"
ROLLER DIAMETER 1 23/32"

No. of Teeth	Stock Number	Sprocket Number	Pitch Dia.	Stock Bore	Max. Bore
6	15401906	132A6	12.10	1 1/2	4 1/2
7	15401907	132A7	13.95	1 1/2	4 1/2
8	15401908	132A8	15.81	1 1/2	4 1/2
9	15401909	132A9	17.69	1 1/2	5 3/8

No. of Teeth	Stock Number	Sprocket Number	Pitch Dia.	Stock Bore	Max. Bore
10	15401910	132A10	19.58	1 1/2	5 3/8
11	15401911	132A11	21.47	1 1/2	5 3/8
12	15401912	132A12	23.38	1 1/2	5 3/8

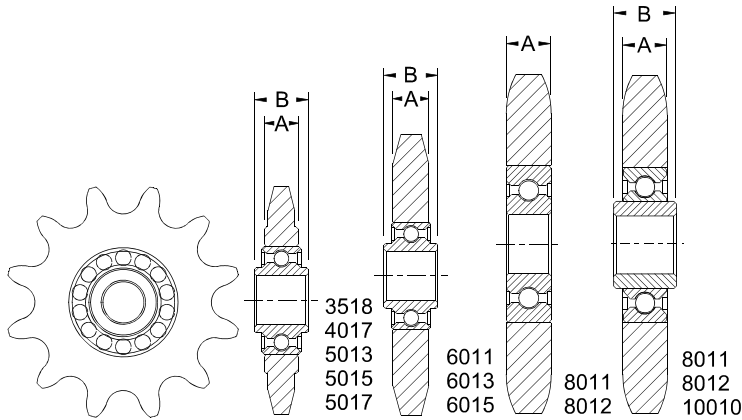
WWW.GGMFG.COM

Sprockets

IDLER SPROCKETS



OMAHA, NEBRASKA
(402) 453-9595
1-800-442-6009
FAX (402) 453-1740



BUSHINGS AND BEARINGS

Stock No.	Description	Wt. Lbs.						
01008E11	5/8 to 1/2 Reducer Bushing	.05						
02211E08	1-3/8 OD x 1/2 ID x 11/16 Extended Race Bearing for #35, #40, #50 and #60 Idlers	.10						
			RPM	100	300	500	750	1000
			Load (Lbs)	696	613	530	427	323
02211E10	1-3/8 OD x 5/8 ID x 11/16 Extended Race Bearing for #35, #40, #50 and #60 Idlers	.12						
			RPM	100	300	500	750	1000
			Load (Lbs)	696	613	530	427	323
03209012	2 OD x 3/4 ID x 9/16 Wide Bearing for #80 Idlers	.32						
			RPM	100	300	500	750	1000
			Load (Lbs)	1565	1565	1565	1565	1565
04011016	2-9/16 OD x 1 ID x 11/16 Wide Bearing for #100 Idlers	.34						
			RPM	100	300	500	750	1000
			Load (Lbs)	2616	2616	2616	2616	2616

Furnished with Hardened Teeth

Stock No.	Chain Size	No. Teeth	Bore	A	B	Wt. Lbs.
03518E08	35	18	1/2	7/16	11/16	.25
03518E10	35	18	5/8	7/16	11/16	.25
04017E08	40 or 41	17	1/2	7/16	11/16	.44
04017E10	40 or 41	17	5/8	7/16	11/16	.44
05013E08	50	13	1/2	7/16	11/16	.38
05013E10	50	13	5/8	7/16	11/16	.38
05015E08	50	15	1/2	7/16	11/16	.56
05015E10	50	15	5/8	7/16	11/16	.50
05017E08	50	17	1/2	7/16	11/16	.69
05017E10	50	17	5/8	7/16	11/16	.63
06011E08	60	11	1/2	7/16	11/16	.50
06011E10	60	11	5/8	7/16	11/16	.50
06013E08	60	13	1/2	7/16	11/16	.69
06013E10	60	13	5/8	7/16	11/16	.69
06015E08	60	15	1/2	7/16	11/16	.94
06015E10	60	15	5/8	7/16	11/16	.88
*08011012	80	11	3/4	9/16	9/16	1.06
*08012012	80	12	3/4	9/16	9/16	1.70
08011E12	80	11	3/4	9/16	13/16	1.08
08012E12	80	12	3/4	9/16	13/16	1.72
*10010016	100	10	1	11/16	11/16	1.50
10010E16	100	10	1	11/16	7/8	1.52

* With Flat Inner Race

Maximum recommended RPM = 1000

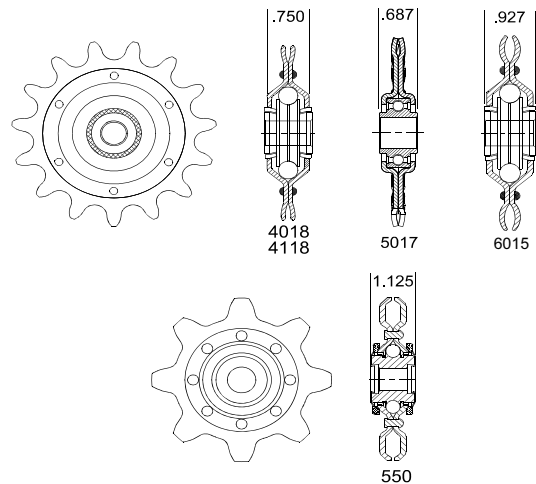
Radial load capacity = 621 PSI @ 100

RPM based on 2500 Hrs. average life.

STAMPED IDLER SPROCKETS

Furnished with Hardened Teeth

Stock No.	Chain Size	No. Teeth	Bore	Interchanges with Aetna No.	Wt. Lbs.
033-4018	40 or 41	18	1/2	AG-2318-A	.44
034-4018	40 or 41	18	5/8	AG-2318	.44
033-5017	50	17	1/2	AG-2416-A	.75
034-5017	50	17	5/8	AG-2416	.75
033-6015	60	15	1/2	AG-2417-A	.83
034-6015	60	15	5/8	AG-2417	.83
034-8550	550	8	5/8	AG-2566-2AF	1.52



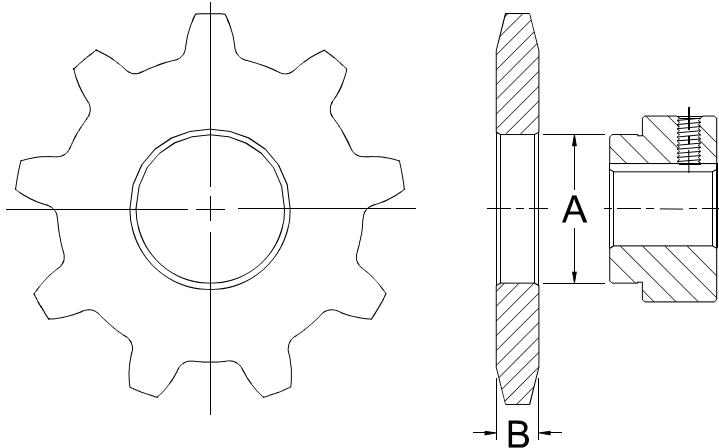
Manufactured in the USA by G&G Manufacturing Co.



OMAHA, NEBRASKA
 (402) 453-9595
 1-800-442-6009
 FAX (402) 453-1740

WELDASPROCKET®

SPROCKETS WILL FIT
 STEEL PINTLE AND STEEL DETACHABLE CHAIN



Sprockets

Stock No.	No. of Teeth	Outside Dia.	Root Dia.	A Bore	Fits Hub Series	B Width	Wt. Lbs.
01550655	6	3-3/4	2.62	1-5/8	W	9/16	.88
01550755	7	4-1/4	3.11	2	X	9/16	1.00
01550855	8	4-3/4	3.61	2	X	9/16	1.44
01550955	9	5-1/4	4.12	2	X	9/16	2.06
01551055	10	5-3/4	4.63	2	X	9/16	2.50
01551155	11	6-1/4	5.14	2	X	9/16	3.32
01551255	12	6-3/4	5.65	2	X	9/16	4.00
01551355	13	7-1/4	6.16	2	X	9/16	5.00
01551455	14	7-3/4	6.67	2	X	9/16	5.92
01551555	15	8-1/4	7.19	2	X	9/16	6.77

Stock No.	No. of Teeth	Outside Dia.	Root Dia.	A Bore	Fits Hub Series	B Width	Wt. Lbs.
01620662	6	3-7/8	2.63	1-5/8	W	11/16	.94
01620762	7	4-3/8	3.13	1-5/8	W	11/16	1.44
01620862	8	4-7/8	3.64	2	X	11/16	1.83
01620962	9	5-3/8	4.15	2	X	11/16	2.38
01621062	10	5-7/8	4.66	2	X	11/16	3.13
01621162	11	6-1/2	5.18	2	X	11/16	3.94
01621262	12	7	5.70	2	X	11/16	4.83
01621362	13	7-1/2	6.21	2-3/4	Y	11/16	5.29
01621462	14	8	6.73	2-3/4	Y	11/16	6.33
01621562	15	8-1/2	7.25	2-3/4	Y	11/16	7.42

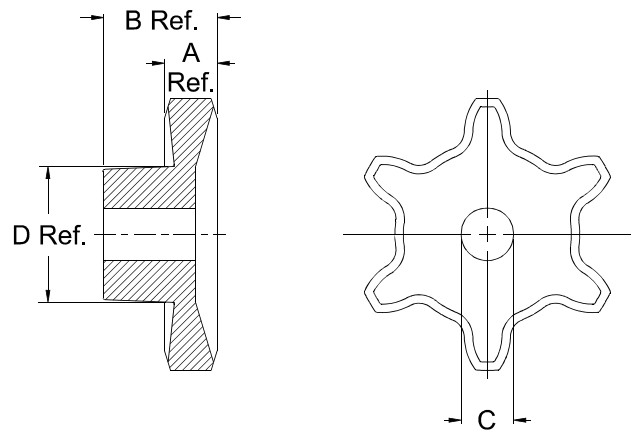
See pages 33 through 35 and 182 for additional sizes

CAST IRON STOCK BORE SPROCKETS

SPROCKETS WILL FIT STEEL DETACHABLE CHAIN ONLY

Stock No.	No. of Teeth	Outside Dia.	A	B	C	D	Max. Bore	Wt. Lbs.
01350655	6	3-3/4	3/4	1-1/2	1/2	2	1-1/4	1.38
01350755	7	4-1/4	3/4	1-1/2	1/2	2	1-1/4	1.63
01350855	8	4-3/4	3/4	1-1/2	3/4	2	1-1/4	2.13
01350955	9	5-1/4	3/4	1-1/2	3/4	2	1-1/4	2.06
01351055	10	5-3/4	3/4	1-1/2	3/4	2	1-1/4	2.19
01351155	11	6-1/4	3/4	1-1/2	3/4	2	1-1/4	2.75
01351255	12	6-3/4	3/4	1-1/2	3/4	2	1-1/4	3.00
01351555	15	8-3/8	3/4	1-1/2	7/8	2	1-1/4	4.38

Stock No.	No. of Teeth	Outside Dia.	A	B	C	D	Max. Bore	Wt. Lbs.
01360662	6	3-7/8	15/16	1-5/8	3/4	1-15/16	1-1/4	1.75
01360762	7	4-3/8	15/16	1-5/8	3/4	1-15/16	1-1/4	1.94
01360862	8	4-7/8	15/16	1-5/8	3/4	1-15/16	1-1/4	2.25
01361062	10	5-7/8	15/16	1-5/8	3/4	1-15/16	1-1/4	2.69



Bored to size with set screws by Quotation.

WELDASPROCKET®



OMAHA, NEBRASKA
(402) 453-9595
1-800-442-6009
FAX (402) 453-1740

A variety of sprocket sizes for roller chain No. 35, 41, & 40
take care of most repair and replacement needs.

SEE PAGE 34 & 35 FOR MORE SPROCKET SIZES AND PAGE 36 FOR INFORMATION ON
HARDENED TOOTH WELDASPROCKETS® AND FOR SUGGESTED WELDING INSTRUCTIONS.

Sprockets

No. 35 - 3/8" Pitch				No. 41 - 1/2" Pitch			No. 40 - 1/2" Pitch				
No. of Teeth	NOVA Import Stock No.	Sprocket No.	Wt. Lbs.	NOVA Import Stock No.	Sprocket No.	Wt. Lbs.	USA Stock No.	NOVA Import Stock No.	Sprocket No.	Wt. Lbs.	
12				001041125	4112V	.13	00104012	001040125	4012V	.13	
13				001041135	4113V	.13	00104013	001040135	4013V	.13	
14				001041145	4114V	.19	00104014	001040145	4014V	.19	
15	001035155	3515V	.06	001041155	4115V	.25	00104015	001040155	4015V	.25	
16	001035165	3516V	.06	001041165	4116W	.19	00104016	001040165	4016W	.19	
17	001035175	3517V	.06	001041175	4117W	.25	00104017	001040175	4017W	.25	
18	001035185	3518V	.13	001041185	4118W	.25	00104018	001040185	4018W	.32	
19	001035195	3519V	.13	001041195	4119W	.25	00104019	001040195	4019W	.32	
20	001035205	3520V	.13	001041205	4120W	.32	00104020	001040205	4020X	.32	
21	001035215	3521V	.19	001041215	4121W	.38	00104021	001040215	4021X	.38	
22	001035225	3522W	.13	001041225	4122W	.44	00104022	001040225	4022X	.44	
23	001035235	3523W	.19	001041235	4123W	.50	00104023	001040235	4023X	.50	
24	001035245	3524W	.19	001041245	4124W	.50	00104024	001040245	4024X	.56	
25	001035255	3525W	.19	001041255	4125W	.56	00104025	001040255	4025X	.63	
26	001035265	3526W	.25	001041265	4126W	.63	00104026	001040265	4026X	.69	
27	001035275	3527W	.25	001041275	4127W	.69	00104027	001040275	4027X	.83	
28	001035285	3528W	.25	001041285	4128W	.83	00104028	001040285	4028X	.88	
29	001035295	3529W	.30	001041295	4129W	.91	00104029	001040295	4029X	.94	
30	001035305	3530W	.32	001041305	4130W	.94	00104030	001040305	4030X	1.00	
32	001035325	3532W	.38	001041325	4132W	1.00	00104032	001040325	4032X	1.13	
35	001035355	3535W	.50	001041355	4135W	1.25	00104035	001040355	4035X	1.50	
36	001035365	3536W	.50	001041365	4136W	1.38	00104036	001040365	4036X	1.50	
38							00104038	001040385	4038X	1.83	
40	001035405	3540W	.63	001041405	4140W	1.63	00104040	001040405	4040X	2.00	
42				001041425	4142W	1.88	00104042	001040425	4042X	2.19	
45	001035455	3545W	.88	001041455	4145W	2.19	00104045	001040455	4045X	2.56	
46							00104046		4046X	2.80	
48	001035485	3548W	1.00	001041485	4148W	2.50	00104048	001040485	4048X	3.06	
54	001035545	3554W	1.38	001041545	4154W	3.25	00104054	001040545	4054X	3.75	
60	001035605	3560W	1.56	001041605	4160W	4.00	00104060	001040605	4060X	5.00	
70							00104070	001040705	4070X	6.94	
72	001035725	3572W	2.32	001041725	4172W	5.88	00104072	001040725	4072X	7.44	
80							00104080	001040805	4080X	8.94	
84	001035845	3584W	3.25				00104084	001040845	4084X	9.94	
96	001035965	3596W	4.25				00104096	001040965	4096X	13.00	
112							001040112		40112X	20.50	

Sprocket No. is used to determine chain size, number of teeth and hub series required.
EXAMPLE: 6026X = 60 chain, 26 teeth, X series WELDAHUB®. **ORDER BY STOCK NUMBER.**
SEE PAGES 37, 38 & 39 FOR AVAILABLE WELDAHUB® SIZES.



OMAHA, NEBRASKA
 (402) 453-9595
 1-800-442-6009
 FAX (402) 453-1740

WELDASPROCKET®

A variety of sprocket sizes for roller chain No. 50,60, & 80
 take care of most repair and replacement needs.

SEE PAGES 33 & 35 FOR MORE SPROCKET SIZES AND PAGE 36 FOR INFORMATION ON
 HARDENED TOOTH WELDASPROCKETS® AND FOR SUGGESTED WELDING INSTRUCTIONS.

Sprockets

No. of Teeth	No. 50 - 5/8" Pitch				No. 60 - 3/4 Pitch				No. 80 - 1" Pitch			
	USA Stock No.	NOVA Import Stock No.	Spkt. No.	Wt. Lbs.	USA Stock No.	NOVA Import Stock No.	Spkt. No.	Wt. Lbs.	USA Stock No.	NOVA Import Stock No.	Spkt. No.	Wt. Lbs.
9					00106009	001060095	6009V	.32	00108009	001080095	8009W	0.56
10	00105010	001050105	5010V	.19	00106010	001060105	6010V	.38	00108010	001080105	8010W	0.75
11	00105011	001050115	5011V	.19	00106011	001060115	6011W	.38	00108011	001080115	8011W	1.00
12	00105012	001050125	5012W	.19	00106012	001060125	6012W	.44	00108012	001080125	8012X	1.13
13	00105013	001050135	5013W	.25	00106013	001060135	6013W	.63	00108013	001080135	8013X	1.38
14	00105014	001050145	5014W	.32	00106014	001060145	6014W	.75	00108014	001080145	8014X	1.69
15	00105015	001050155	5015W	.44	00106015	001060155	6015X	.75	00108015	001080155	8015X	2.06
16	00105016	001050165	5016W	.50	00106016	001060165	6016X	.94	00108016	001080165	8016X	2.44
17	00105017	001050175	5017X	.50	00106017	001060175	6017X	1.19	00108017	001080175	8017X	2.83
18	00105018	001050185	5018X	.56	00106018	001060185	6018X	1.32	00108018	001080185	8018X	3.25
19	00105019	001050195	5019X	.69	00106019	001060195	6019X	1.50	00108019	001080195	8019X	3.63
20	00105020	001050205	5020X	.75	00106020	001060205	6020X	1.63	00108020	001080205	8020X	4.13
21	00105021	001050215	5021X	.88	00106021	001060215	6021X	2.00	00108021	001080215	8021X	4.63
22	00105022	001050225	5022X	1.00	00106022	001060225	6022X	2.25	00108022	001080225	8022X	5.19
23	00105023	001050235	5023X	1.13	00106023	001060235	6023X	2.50	00108023		8023X	5.63
24	00105024	001050245	5024X	1.25	00106024	001060245	6024X	2.75	00108024	001080245	8024X	6.13
25	00105025	001050255	5025X	1.38	00106025	001060255	6025X	2.95	00108025	001080255	8025X	6.88
26	00105026	001050265	5026X	1.63	00106026	001060265	6026X	3.25	00108026	001080265	8026X	7.25
27	00105027	001050275	5027X	1.75	00106027	001060275	6027X	3.56	00108027		8027X	8.00
28	00105028	001050285	5028X	1.83	00106028	001060285	6028X	3.75	00108028	001080285	8028X	8.63
29	00105029	001050295	5029X	2.06	00106029	001060295	6029X	4.44	00108029		8029X	9.25
30	00105030	001050305	5030X	2.19	00106030	001060305	6030X	4.50	00108030	001080305	8030X	10.20
31	00105031	001050315	5031X	2.38	00106031	001060315	6031X	4.83				
32	00105032	001050325	5032X	2.38	00106032	001060325	6032X	5.13	00108032	001080325	8032X	11.50
33	00105033	001050335	5033X	2.63	00106033		6033X	5.44	00108033	001080335	8033X	12.30
34	00105034	001050345	5034X	3.00	00106034	001060345	6034X	5.75	00108034		8034X	13.00
35	00105035	001050355	5035X	3.00	00106035	001060355	6035X	6.19	00108035		8035X	14.00
36	00105036	001050365	5036X	3.25	00106036	001060365	6036X	6.50	00108036	001080365	8036X	14.80
37	00105037		5037X	3.38								
38	00105038	001050385	5038X	3.50	00106038	001060385	6038X	7.32				
39	00105039		5039X	3.83	00106039		6039X	7.63				
40	00105040	001050405	5040X	3.88	00106040	001060405	6040X	8.25	00108040	001080405	8040X	18.10
41	00105041		5041X	4.13	00106041	001060415	6041X	8.83				
42	00105042	001050425	5042X	4.50	00106042	001060425	6042X	9.13				
43	00105043		5043X	4.69								
44	00105044	001050445	5044X	4.94								
45	00105045	001050455	5045X	5.19	00106045	001060455	6045X	10.60	00108045		8045X	25.40
48	00105048	001050485	5048X	6.13	00106048	001060485	6048X	12.20	00108048		8048X	27.40
50	00105050	001050505	5050X	6.56	00106050	001060505	6050X	13.10				
52	00105052	001050525	5052X	7.25								
54	00105054	001050545	5054X	7.69	00106054	001060545	6054X	15.60				

Sprocket No. is used to determine chain size, number of teeth and hub series required.
 EXAMPLE: 6026X = 60 chain, 26 teeth, X series WELDAHUB®. **ORDER BY STOCK NUMBER.**
SEE PAGES 37, 38 & 39 FOR AVAILABLE WELDAHUB® SIZES.

WELDASPROCKET®



OMAHA, NEBRASKA
(402) 453-9595
1-800-442-6009
FAX (402) 453-1740

A variety of sprocket sizes for roller chain No. 35, 41, 40, 50, 60, 80 & 100 take care of most repair and replacement needs.

SEE PAGE 33 & 34 FOR MORE SPROCKET SIZES AND PAGE 36 FOR INFORMATION ON HARDENED TOOTH WELDASPROCKETS® AND FOR SUGGESTED WELDING INSTRUCTIONS.

No. 50 - 5/8" Pitch					No. 60 - 3/4" Pitch				No. 80 - 1" Pitch			
No. of Teeth	USA Stock No.	Import Stock No.	Spkt. No.	Wt. Lbs.	Domestic Stock No.	Import Stock No.	Spkt. No.	Wt. Lbs.	USA Stock No.	Import Stock No.	Spkt. No.	Wt. Lbs.
60	00105060	001050605	5060X	9.75	00106060	001060605	6060X	18.80	00108060	001080605	8060Y	44.60
65	00105065	001050655	5065X	11.80					00108065		8065Y	56.92
70	00105070	001050705	5070X	13.60					00108070		8070Y	65.95
72	00105072	001050725	5072X	13.80	00106072	001060725	6072X	27.60	00108072		8072Y	69.70
76									00108076		8076Y	77.60
80	00105080	001050805	5080X	17.30	00106080		6080X	30.60	00108080		8080Y	85.86
84	00105084	001050845	5084X	19.40					00108084		8084Y	94.61
90									00108090		8090Y	108.43
96	00105096		5096X	24.90	00106096		6096X	55.32	00108096		8096Y	123.19
112	001050112		50112X	38.85	00160112		60112X	72.50	001080112		80112Y	167.08

No. 100 - 1-1/4" Pitch

No. of Teeth	USA Stock No.	Sprocket No.	Wt. Lbs.
10	00110010	10010X	1.56
11	00110011	10011X	2.00
12	00110012	10012X	2.63
13	00110013	10013X	3.00
14	00110014	10014Y	3.13
15	00110015	10015Y	3.75
16	00110016	10016Y	4.44
17	00110017	10017Y	5.13
18	00110018	10018Y	5.94
19	00110019	10019Y	6.88
20	00110020	10020Y	7.50
21	00110021	10021Y	8.69
22	00110022	10022Y	9.38
23	00110023	10023Y	10.60
24	00110024	10024Y	11.60
25	00110025	10025Y	12.70
26	00110026	10026Y	14.10
28	00110028	10028Y	17.00
30	00110030	10030Y	19.30
32	00110032	10032Y	21.30
35	00110035	10035Y	26.10
36	00110036	10036Y	27.80

Larger
WELDASPROCKETS®
in
80, 100, 120, 140, 160,
180, 200, & 240 Series
are available by
Quotation.

Sprocket No. is used to determine chain size, number of teeth and hub series required.
EXAMPLE: 6026X = 60 chain, 26 teeth, X series WELDAHUB®.

ORDER BY STOCK NUMBER.

SEE PAGES 37, 38 & 39 FOR AVAILABLE WELDAHUB® SIZES.



OMAHA, NEBRASKA
 (402) 453-9595
 1-800-442-6009
 FAX (402) 453-1740

HARDENED TOOTH WELDASPROCKET®

A variety of sprocket sizes for roller chain No. 40, 50, 60, & 80

No. 40 - 1/2" Pitch

No. 50 - 5/8" Pitch

No. 60 - 3/4" Pitch

No. 80 - 1" Pitch

No. of Teeth	Stock No.	Sprocket No.	Wt. Lbs.	Stock No.	Sprocket No.	Wt. Lbs.	Stock No.	Sprocket No.	Wt. Lbs.	Stock No.	Sprocket No.	Wt. Lbs.
9							00306009	6009V	.32	00308009	8009W	.56
10				00305010	5010V	.19	00306010	6010V	.38	00308010	8010W	.75
11				00305011	5011V	.19	00306011	6011W	.38	00308011	8011W	1.00
12	00304012	4012V	.13	00305012	5012W	.19	00306012	6012W	.44	00308012	8012X	1.13
13	00304013	4013V	.13	00305013	5013W	.25	00306013	6013W	.63	00308013	8013X	1.38
14	00304014	4014V	.19	00305014	5014W	.32	00306014	6014W	.75	00308014	8014X	1.69
15	00304015	4015V	.25	00305015	5015W	.44	00306015	6015X	.75	00308015	8015X	2.06
16	00304016	4016W	.19	00305016	5016W	.50	00306016	6016X	.94	00308016	8016X	2.44
17	00304017	4017W	.25	00305017	5017X	.50	00306017	6017X	1.19	00308017	8017X	2.83
18	00304018	4018W	.32	00305018	5018X	.56	00306018	6018X	1.32	00308018	8018X	3.25
19	00304019	4019W	.32	00305019	5019X	.69	00306019	6019X	1.50	00308019	8019X	3.63
20	00304020	4020X	.32	00305020	5020X	.75	00306020	6020X	1.63	00308020	8020X	4.13
21	00304021	4021X	.38	00305021	5021X	.88	00306021	6021X	2.00			
22	00304022	4022X	.44	00305022	5022X	1.00	00306022	6022X	2.25			
23	00304023	4023X	.50	00305023	5023X	1.13	00306023	6023X	2.50			
24	00304024	4024X	.56	00305024	5024X	1.25	00306024	6024X	2.75			
25	00304025	4025X	.63	00305025	5025X	1.38	00306025	6025X	2.95			
26	00304026	4026X	.69	00305026	5026X	1.63	00306026	6026X	3.25			
27	00304027	4027X	.83	00305027	5027X	1.75	00306027	6027X	3.56			
28	00304028	4028X	.88	00305028	5028X	1.83	00306028	6028X	3.75			
29	00304029	4029X	.94	00305029	5029X	2.06	00306029	6029X	4.44			
30	00304030	4030X	1.00	00305030	5030X	2.19	00306030	6030X	4.50			

Sprocket No. is used to determine chain size, number of teeth and hub series required.

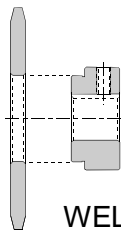
EXAMPLE: 6026X = 60 chain, 26 teeth, X series WELDAHUB®. **ORDER BY STOCK NUMBER.**

Sprockets manufactured from stock material will range from 35-45 Rockwell "C". Special material can be quoted to obtain a higher degree of hardness. **SEND YOUR INQUIRIES**

SEE PAGES 37, 38 & 39 FOR AVAILABLE WELDAHUB® SIZES.

Manufactured in the USA by G&G Manufacturing Co.

WELDING INSTRUCTIONS

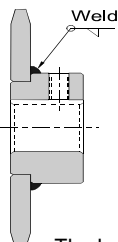


XX WELDAHUBS® can be used with the following WELDASPROCKETS® sizes:

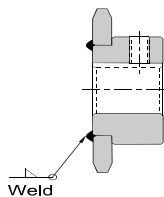
Minimum sizes: 4024X, 5020X, 6017X, 8014X, 10013X

WELDAHUBS® STOCK NUMBERS ARE FOUND ON PAGES 31, 32 & 33

We recommend using Low Hydrogen Electrodes for welding WELDASPROCKET® parts.



The larger WELDASPROCKETS® should be welded as shown.



The smaller WELDASPROCKETS® should be welded as shown so the weld will not interfere with the chain.

WELDING G&G IDLER HUBS

The assembly of G&G Idler Hubs into a WELDASPROCKET® or WELDAPULLEY® is a relatively simple operation. As with WELDAHUBS®, the two parts are clamped together and stitch welded using low hydrogen electrodes, Three (3) or four (4) stitches 5/8" to 3/4" long will be sufficient. Care must be taken to make sure the welding ground circuit does not pass through the bearing itself. Excessive welding heat may cause distortion or damage to the bearing.

Sprockets



OMAHA, NEBRASKA
 (402) 453-9595
 1-800-442-6009
 FAX (402) 453-1740

SECTION INDEX

Double Hubs.....	38
Double Pulley Hubs	38
Double Hub, Idler Hub & OEM Hub Dimensions....	40
Idler Hubs	38
Split Lock Hubs.....	39
Metric Bore	38
OEM Weld On Hubs	39
WELDAHUB [®] USA and NOVA Import	37-38
Coupler Hubs	38
Hexagon Bore	37
Round Bore	37
Spline Bore.....	38
Square Bore	37
Stock Bore.....	37
WELDAHUB [®] Dimensions.....	40

WWW.GGMFG.COM

Toll Free
 (800) 442-6009



**CATALOG
 2017 - v1**

**UPC Bar Coding is available on stock items
 upon customer request.**

WELDAHUBS®



Round Bore Domestic WELDAHUBS® are furnished with standard keyways and (1) set screw.
 Round Bore Import Hubs are furnished with standard keyways and (2) set screws.
 Use with G&G WELDASPROCKETS® or WELDAPULLEYS®. ORDER BY STOCK NUMBER.

OMAHA, NEBRASKA
 (402) 453-9595
 1-800-442-6009
 FAX (402) 453-1740

ROUND BORE HUBS					
USA Stock No.	NOVA Import Stock No.	Hub Series	Bore Size	Std. KW	Wt. Lbs.
00010008	000100085	V	1/2	1/8	.38
	000100095	V	9/16	1/8	.38
00010010	000100105	V	5/8	3/16	.38
	000100115	V	11/16	3/16	.32
00010012	000100125	V	3/4	3/16	.32
	000100135	V	13/16	3/16	.32
00010014	000100145	V	7/8	3/16	.25
	000200085	W	1/2	1/8	.88
	000200095	W	9/16	1/8	.88
00020010	000200105	W	5/8	3/16	.83
	000200115	W	11/16	3/16	.83
00020012	000200125	W	3/4	3/16	.83
	000200135	W	13/16	3/16	.75
00020014	000200145	W	7/8	3/16	.75
00020015	000200155	W	15/16	1/4	.69
00020016	000200165	W	1	1/4	.63
00020017	000200175	W	1-1/16	1/4	.63
00020018	000200185	W	1-1/8	1/4	.57
00020019	000200195	W	1-3/16	1/4	.50
00020020	000200205	W	1-1/4	1/4	.44
00030010	000300105	X	5/8	3/16	1.63
	000300115	X	11/16	3/16	1.63
00030012	000300125	X	3/4	3/16	1.56
	000300135	X	13/16	3/16	1.56
00030014	000300145	X	7/8	3/16	1.50
	000300155	X	15/16	1/4	1.38
00030016	000300165	X	1	1/4	1.38
00030017	000300175	X	1-1/16	1/4	1.38
00030018	000300185	X	1-1/8	1/4	1.38
00030019	000300195	X	1-3/16	1/4	1.25
00030020	000300205	X	1-1/4	1/4	1.25
00030520		X	1-1/4	5/16	1.24
	000300215	X	1-5/16	5/16	1.19
00030022	000300225	X	1-3/8	5/16	1.13
00030023	000300235	X	1-7/16	3/8	1.13
00030024	000300245	X	1-1/2	3/8	1.06
00040016	000400165	XX	1	1/4	2.13
00040018		XX	1-1/8	1/4	2.06
00040020	000400205	XX	1-1/4	1/4	1.94
00040022	000400225	XX	1-3/8	5/16	1.83
00040023		XX	1-7/16	3/8	1.75
00040024	000400245	XX	1-1/2	3/8	1.75
00040026	000400265	XX	1-5/8	3/8	1.56

ROUND BORE HUBS					
USA Stock No.	NOVA Import Stock No.	Hub Series	Bore Size	Std. KW	Wt. Lbs.
00050016		Y	1	1/4	4.50
	000500185	Y	1-1/8	1/4	4.38
00050020		Y	1-1/4	1/4	4.19
	000500225	Y	1-3/8	5/16	4.06
	000500235	Y	1-7/16	3/8	4.00
00050024	000500245	Y	1-1/2	3/8	3.94
00050026		Y	1-5/8	3/8	3.69
	000500275	Y	1-11/16	3/8	3.63
00050028	000500285	Y	1-3/4	3/8	3.56
	000500305	Y	1-7/8	1/2	3.38
00050031	000500315	Y	1-15/16	1/2	3.25
00050032	000500325	Y	2	1/2	3.13

STOCK BORE HUBS				
USA Stock No.	NOVA Import Stock No.	Hub Series	Bore Size	Wt. Lbs.
00020000	000200005	W	1/2	.94
00030000	000300005	X	19/32	1.63

HEXAGON BORE HUBS				
Domestic Stock No.	Import Stock No.	Hub Series	Bore Size	Wt. Lbs.
	000260095	W	9/16	.88
	000260105	W	5/8	.83
	000260125	W	3/4	.83
00026014	000260145	W	7/8	.69
00026016	000260165	W	1	.50
00026018	000260185	W	1-1/8	.50
00026020	000260205	W	1-1/4	.50
	000360095	X	9/16	1.70
00036010	000360105	X	5/8	1.63
00036012	000360125	X	3/4	1.56
00036014	000360145	X	7/8	1.50
00036016	000360165	X	1	1.32
00036018	000360185	X	1-1/8	1.32
00036020	000360205	X	1-1/4	1.25

SQUARE BORE HUBS				
USA Stock No.	NOVA Import Stock No.	Hub Series	Bore Size	Wt. Lbs.
0002S010		W	5/8	.77
0002S012	0002S0125	W	3/4	.75
0002S016	0002S0165	W	1	.56
0003S012		X	3/4	1.50
0003S014		X	7/8	1.44
0003S016	0003S0165	X	1	1.32
0003S018	0003S0185	X	1-1/8	1.19
0003S020	0003S0205	X	1-1/4	1.06

SEE PAGES 38, 39 & 40 FOR OTHER HUBS AND DIMENSIONS.



WELDAHUBS®

OMAHA, NEBRASKA
 (402) 453-9595
 1-800-442-6009
 FAX (402) 453-1740

Round Bore Domestic WELDAHUBS® are furnished with standard keyways and (1) set screw.
 Round Bore Import Hubs are furnished with standard keyways and (2) set screws.
 Use with G&G WELDASPROCKETS® or WELDAPULLEYS®. ORDER BY STOCK NUMBER.

SPLINE BORE HUBS

USA Stock No.	NOVA Import Stock No.	Hub Series	Bore Size	Wt. Lbs.
00021413		W	7/8x13SP	.75
00021606		W	1x6SP	.69
00021615		W	1x15SP	.69
00021806	000218065	W	1-1/8x6SP	.63
00022014	000220145	W	1-1/4x14SP	.56
	000222065	W	1-3/8x6SP	.44
	000222215	W	1-3/8x21SP	.44
00031413		X	7/8x13SP	1.56
00031606	000316065	X	1x6SP	1.38
	000320065	X	1-1/4x6SP	1.34
00032014	000320145	X	1-1/4x14SP	1.32
00032206	000322065	X	1-3/8x6SP	1.25
00032221	000322215	X	1-3/8x21SP	1.19
00032806		X	1-3/4x6SP	.90
00042820		XX	1-3/4x20SP	1.63

DOUBLE HUBS

USA Stock No.	Spkt. Series	Bore Size	Std. KW	Wt. Lbs.
000X5016	50	1	1/4	1.32
000X5020	50	1-1/4	1/4	1.06
000X6016	60	1	1/4	1.56
000X6020	60	1-1/4	1/4	1.25

IDLER HUBS

USA Stock No.	Hub Series	Bore Size	Wt. Lbs.
00023010	W	5/8*	.25
00033010	X	5/8*	.38
00053012	Y	3/4"	.69
00053014	Y	7/8"	1.06
00053016	Y	1"	1.34
00053018	Y	1-1/8"	1.68

*Packaged with 1/2" reducer bushing

METRIC BORE HUBS

USA Stock No.	Hub Series	Bore Size	Keyway	Wt. Lbs.
0002015M	W	15MM	5 MM	.84
0002022M	W	22MM	6 MM	.74
0002025M	W	25MM	8 MM	.63
0002030M	W	30MM	8 MM	.50
0003015M	X	15MM	5 MM	1.64
0003022M	X	22MM	5 MM	1.51
0003025M	X	25MM	8 MM	1.39
0003030M	X	30MM	8 MM	1.26

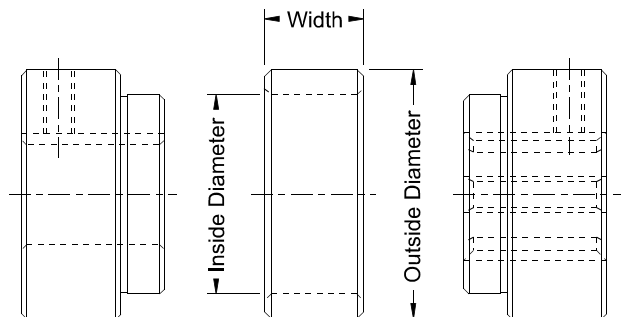
Double Pulley Hubs

USA Stock No.	Hub Series	Bore Size	Wt. Lbs.
00020214	W	7/8	.92
00020216	W	1	.81
00020218	W	1-1/8	.69
00020220	W	1-1/4	.52

Designed to be used with WELDAPULLEYS® to make double groove pulleys

WELDAHUB® Coupler Hubs

USA Stock No.	Fits Hub Series	Outside Dia.	Inside Dia.	Width	Wt. Lbs.
012-3224	Weldajoint Bushings	2	1-1/2	1	.39
012-3226	W	2	1-5/8	1	.32
012-4032	X, XX & Weldajoint Bushings	2-1/2	2	1	.50



SEE PAGE 40 FOR ADDITIONAL HUB DIMENSIONS.

Coupler Hubs are designed to create a coupler to connect two separate shafts. The shafts may be the same or different styles or sizes. Simply choose the WELDAHUB® or WELDAJOINT® Bushing for each shaft needed and assemble with the appropriate Coupler Hub.

We recommend using Low Hydrogen Electrodes to weld all WELDA® parts.

OEM WELD ON HUBS



OMAHA, NEBRASKA
(402) 453-9595
1-800-442-6009
FAX (402) 453-1740

Designed for use with G&G WELDASPROCKETS® in applications requiring a specific length through bore. Round bore OEM Weld on Hubs are furnished with standard keyways and two (2) set screws.

SEE PAGE 40 FOR HUB DIMENSIONS.

OEM HUBS				
Stock No.	Hub Series	Bore Size	Std. KW	Wt. Lbs.
008-3508	35	1/2	1/8	.88
008-3510	35	5/8	3/16	.83
008-3512	35	3/4	3/16	.83
008-3514	35	7/8	3/16	.75
008-3516	35	1	1/4	.63
008-3518	35	1-1/8	1/4	.57
008-3519	35	1-3/16	1/4	.50
008-3520	35	1-1/4	1/4	.44
008-4010	5A	5/8	3/16	1.63
008-4012	5A	3/4	3/16	1.56
008-4014	5A	7/8	3/16	1.50
008-4016	5A	1	1/4	1.38
008-4020	5A	1-1/4	1/4	1.25
008-4110	4A	5/8	3/16	1.63
008-4112	4A	3/4	3/16	1.56
008-4114	4A	7/8	3/16	1.50
008-4116	4A	1	1/4	1.38
008-4118	4A	1-1/8	1/4	1.38
008-4119	4A	1-3/16	1/4	1.25
008-4120	4A	1-1/4	1/4	1.25
008-4122	4A	1-3/8	5/16	1.13
008-4123	4A	1-7/16	3/8	1.13
008-4124	4A	1-1/2	3/8	1.06
008-5012	6A	3/4	3/16	1.56
008-5014	6A	7/8	3/16	1.50

OEM HUBS				
Stock No.	Hub Series	Bore Size	Std. KW	Wt. Lbs.
008-5016	6A	1	1/4	1.38
008-5020	6A	1-1/4	1/4	1.25
008-5024	6A	1-1/2	3/8	1.06
008-5112	1A	3/4	3/16	1.56
008-5114	1A	7/8	3/16	1.50
008-5116	1A	1	1/4	1.38
008-5118	1A	1-1/8	1/4	1.38
008-5119	1A	1-3/16	1/4	1.25
008-5120	1A	1-1/4	1/4	1.25
008-5121	1A	1-5/16	5/16	1.19
008-5122	1A	1-3/8	5/16	1.13
008-5123	1A	1-7/16	3/8	1.13
008-5124	1A	1-1/2	3/8	1.06
008-5216	7A	1	1/4	1.38
008-5220	7A	1-1/4	1/4	1.25
008-5312	3A	3/4	3/16	1.56
008-5314	3A	7/8	3/16	1.50
008-5316	3A	1	1/4	1.38
008-5318	3A	1-1/8	1/4	1.38
008-5319	3A	1-3/16	1/4	1.25
008-5320	3A	1-1/4	1/4	1.25
008-5321	3A	1-5/16	5/16	1.19
008-5322	3A	1-3/8	5/16	1.13
008-5323	3A	1-7/16	3/8	1.13
008-5324	3A	1-1/2	3/8	1.06

OEM HUBS				
Stock No.	Hub Series	Bore Size	Std. KW	Wt. Lbs.
008-3612	36	3/4	3/16	1.56
008-3614	36	7/8	3/16	1.50
008-3616	36	1	1/4	1.38
008-3618	36	1-1/8	1/4	1.38
008-3619	36	1-3/16	1/4	1.25
008-3620	36	1-1/4	1/4	1.25
008-6016	9A	1	1/4	1.38
008-6018	9A	1-1/8	1/4	1.38
008-6019	9A	1-3/16	1/4	1.25
008-6020	9A	1-1/4	1/4	1.25
008-6024	9A	1-1/2	3/8	1.06
008-6110	2A	5/8	3/16	1.63
008-6112	2A	3/4	3/16	1.56
008-6114	2A	7/8	3/16	1.50
008-6116	2A	1	1/4	1.38
008-6117	2A	1-1/16	1/4	1.38
008-6118	2A	1-1/8	1/4	1.38
008-6119	2A	1-3/16	1/4	1.25
008-6120	2A	1-1/4	1/4	1.25
008-6121	2A	1-5/16	5/16	1.19
008-6122	2A	1-3/8	5/16	1.13
008-6123	2A	1-7/16	3/8	1.13
008-6124	2A	1-1/2	3/8	1.06
008-8016	8A	1	1/4	1.38
008-8020	8A	1-1/4	1/4	1.25
008-8023	8A	1-7/16	3/8	1.13
008-8024	8A	1-1/2	3/8	1.06

Hub series 35 fits flush on #35 chain WELDASPROCKETS®.
 Hub series 4A & 5A fit flush on #40 chain WELDASPROCKETS®.
 Hub series 1A, 3A, 6A & 7A fit flush on #50 chain WELDASPROCKETS®.
 Hub series 36, 2A & 9A fit flush on #60 chain WELDASPROCKETS®.
 Hub series 8A fits flush on #80 chain WELDASPROCKETS®.

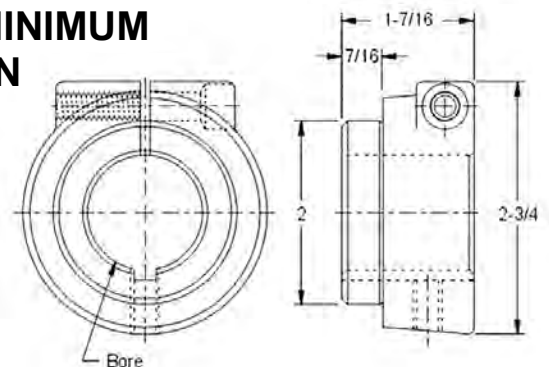
SPLIT LOCK HUBS

**FORGED STEEL 25 PIECE MINIMUM
PRICE BY QUOTATION**

Lock Hubs are used with X series WELDASPROCKETS® in applications with severe operation conditions, such as reversing or high shock load. Round bore sizes are available up to 1-1/2" with standard keyway and set screw.

SEND YOUR INQUIRIES

Manufactured in the USA by G&G Manufacturing Co.



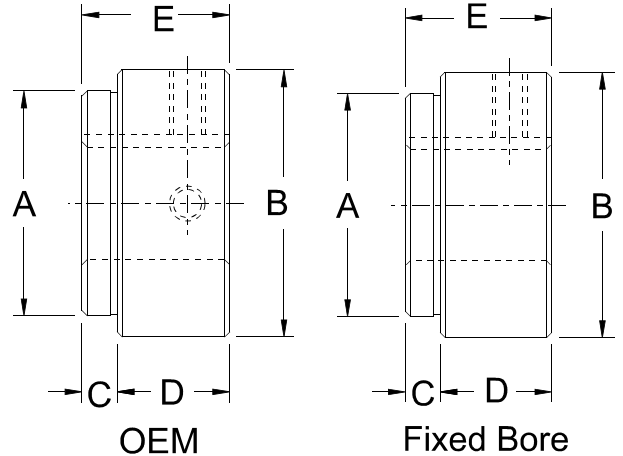
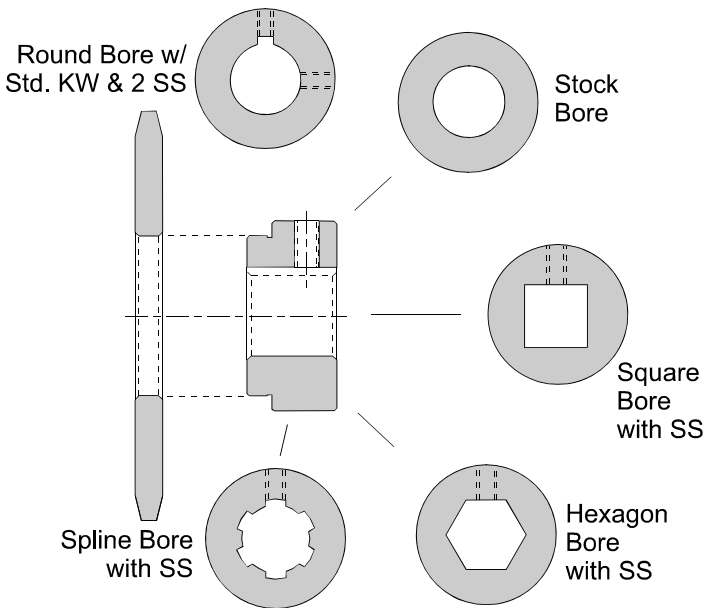
Weldahubs®



OMAHA, NEBRASKA
 (402) 453-9595
 1-800-442-6009
 FAX (402) 453-1740

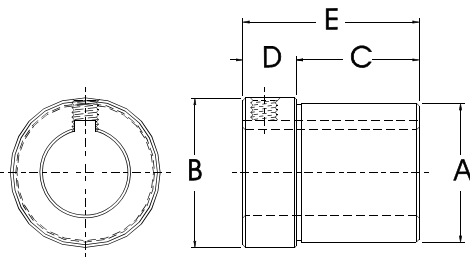
HUB DIMENSIONS

ORDER BY STOCK NUMBERS ON
 PAGE 37, 38 & 39



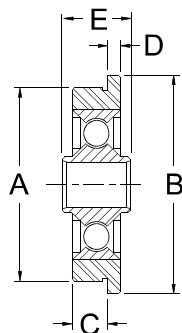
35 OEM HUB	36 OEM HUB	1A OEM HUB	2A OEM HUB	3A OEM HUB	4A OEM HUB	5A OEM HUB	6A OEM HUB	7A OEM HUB	8A OEM HUB	9A OEM HUB
A - 1-5/8	A - 1-5/8	A - 2	A - 2	A - 2	A - 2	A - 2	A - 2	A - 2	A - 2	A - 2
B - 1-3/4	B - 1-3/4	B - 2-1/4 to 2-1/2	B - 2-1/4 to 2-1/2	B - 2-1/4 to 2-1/2	B - 2-1/4 to 2-1/2	B - 2-1/4 to 2-1/2	B - 2-1/4 to 2-1/2	B - 2-1/4 to 2-1/2	B - 2-1/4 to 2-1/2	B - 2-1/4 to 2-1/2
C - 5/32	C - 7/16	C - 5/16	C - 7/16	C - 5/16	C - 1/4	C - 1/4	C - 5/16	C - 5/16	C - 9/16	C - 7/16
D - 23/32	D - 1	D - 13/16	D - 1	D - 1	D - 7/8	D - 3/4	D - 11/16	D - 15/16	D - 15/16	D - 13/16
E - 7/8	E - 1-7/16	E - 1-1/8	E - 1-7/16	E - 1-5/16	E - 1-1/8	E - 1	E - 1	E - 1-1/4	E - 1-1/2	E - 1-1/4

DOUBLE PULLEY HUB
A - 1-5/8
B - 1-3/4
C - 1-7/16
D - 5/8
E - 2-1/16

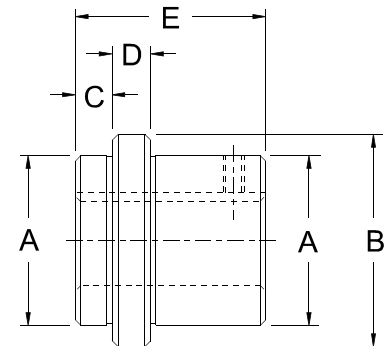


V HUB FIXED BORE	W HUB FIXED BORE	X HUB FIXED BORE	XX HUB FIXED BORE	Y HUB FIXED BORE
A - 1-1/8	A - 1-5/8	A - 2	A - 2	A - 2-3/4
B - 1-7/16	B - 1-3/4	B - 2-1/4 to 2-1/2	B - 3	B - 3-3/4
C - 7/16	C - 7/16	C - 7/16	C - 7/16	C - 11/16
D - 3/4	D - 1	D - 1	D - 1-1/16	D - 1-3/16
E - 1-3/16	E - 1-7/16	E - 1-7/16	E - 1-1/2	E - 1-7/8

W IDLER HUB	X IDLER HUB	Y IDLER HUB
A - 1-5/8	A - 2	A - 2-3/4
B - 1-3/4	B - 2-1/4 to 2-1/2	B - 3-1/2
C - 1/2	C - 1/2	C - 29/32
D - 7/64	D - 7/64	D - 7/32
E - 11/16	E - 11/16	E - 1-1/8



50 DOUBLE HUB	60 DOUBLE HUB
A - 2	A - 2
B - 2-1/4 to 2-1/2	B - 2-1/4 to 2-1/2
C - 5/16	C - 7/16
D - 3/8	D - 29/64
E - 1-7/8	E - 2-1/4



G&G WELDAHUBS® are machined to eliminate special fixtures. Simply clamp the WELDAHUB® to a WELDASPROCKET® or WELDAPULLEY® and weld.
SEE PAGE 36 FOR SUGGESTED WELDING INSTRUCTIONS.

Weldahubs®



OMAHA, NEBRASKA
 (402) 453-9595
 1-800-442-6009
 FAX (402) 453-1740

SECTION INDEX

QD Sprockets NOVA Import..... 41-47
 No. 40 Chain41
 No. 50 Chain42
 No. 60 Chain43
 No. 80 Chain44
 No. 100 Chain45
 No. 120 Chain46
 No. 140 Chain46
 No. 160 Chain47
 Hub Dimensions40
QD Bushing Dimensions 47-48
QD Weld On Adapters49
QD WELDAHUBS® for Weldasprockets®49
QD WELDAHUBS® for Type A Sprockets50

WWW.GGMFG.COM

**Toll Free
 (800) 442-6009**



**CATALOG
 2017 - v1**

**UPC Bar Coding is available on stock items
 Upon customer request.**

QD SPROCKETS NOVA IMPORT



OMAHA, NEBRASKA
(402) 453-9595
1-800-442-6009
FAX (402) 453-1740

No. 40 - 1/2" Pitch

No. Teeth	NOVA Import Stock No.	Sprocket No.	Fits QD Bushing	Max. Bore	Outside Dia.	Hub		F	Wt. Lbs.
						Dia.	LTB		
15	260040155*	40JA15	JA	1-1/4	2.652	2-1/16	5/8	2	.40
16	260040165*	40JA16	JA	1-1/4	2.814	2-1/16	5/8	2	.60
17	260040175*	40JA17	JA	1-1/4	2.974	2-1/16	5/8	2	.60
18	260040185*	40JA18	JA	1-1/4	3.136	2-1/16	5/8	2	.70
19	260040195*	40JA19	JA	1-1/4	3.297	2-1/16	5/8	2	.70
20	260040205*	40SH20	SH	1-5/8	3.457	2-11/16	13/16	2-11/16	.80
21	260040215*	40SH21	SH	1-5/8	3.618	2-11/16	13/16	2-11/16	.90
22	260040225*	40SH22	SH	1-5/8	3.778	2-11/16	13/16	2-11/16	1.00
23	260040235*	40SH23	SH	1-5/8	3.938	2-11/16	13/16	2-11/16	1.10
24	260040245*	40SH24	SH	1-5/8	4.098	2-11/16	13/16	2-11/16	1.20
25	260040255*	40SH25	SH	1-5/8	4.258	2-11/16	13/16	2-11/16	1.30
26	260040265*	40SH26	SH	1-5/8	4.418	2-11/16	13/16	2-11/16	1.50
28	260040285*	40SH28	SH	1-5/8	4.738	2-11/16	13/16	2-11/16	1.60
30	260040305*	40SH30	SH	1-5/8	5.057	2-11/16	13/16	2-11/16	1.70
32	260040325*	40SH32	SH	1-5/8	5.376	2-11/16	13/16	2-11/16	2.10
35	260040355*	40SH35	SH	1-5/8	5.856	3	13/16	2-11/16	2.20
36	260040365*	40SDS36	SDS	2	6.015	3-3/16	3/4	3-3/16	2.30
40	260040405*	40SDS40	SDS	2	6.653	3-3/16	3/4	3-3/16	2.40
42	260040425	40SDS42	SDS	2	6.972	3-3/16	3/4	3-3/16	3.00
45	260040455	40SDS45	SDS	2	7.450	3-3/16	3/4	3-3/16	3.40
48	260040485	40SDS48	SDS	2	7.927	3-3/16	3/4	3-3/16	3.90
54	260040545	40SDS54	SDS	2	8.884	3-3/16	3/4	3-3/16	4.70
60	260040605	40SDS60	SDS	2	9.840	3-3/16	3/4	3-3/16	5.80
70	260040705	40SK70	SK	2-5/8	11.433	3-7/8	1-1/4	3-7/8	9.00
72	260040725	40SK72	SK	2-5/8	11.752	3-7/8	1-1/4	3-7/8	9.10
80	260040805	40SK80	SK	2-5/8	13.026	3-7/8	1-1/4	3-7/8	11.10
84	260040845	40SK84	SK	2-5/8	13.663	3-7/8	1-1/4	3-7/8	11.60
96	260040965	40SK96	SK	2-5/8	15.573	3-7/8	1-1/4	3-7/8	15.30
112	2600401125	40SK112	SK	2-5/8	18.120	3-7/8	1-1/4	3-7/8	20.28

* Teeth hardened 30-45 Rc

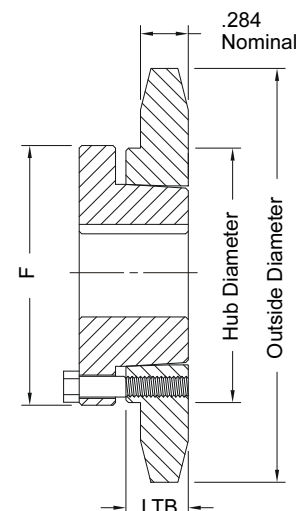
Additional sizes available by quotation.

SEND YOUR INQUIRIES

QD Bushing Data

Bushing	Bore Range	
	Standard Keyway	Shallow Keyway
JA	1/2 to 1	1-1/16 to 1-1/4
SH	1/2 to 1-3/8	1-7/16 to 1-5/8
SDS	1/2 to 1-11/16	1-3/4 to 2
SK	3/4 to 2-1/8	2-3/16 to 2-1/2

Stock numbers and dimensional information shown on pages 47 & 48.



Type B

QD Sprockets



QD SPROCKETS NOVA IMPORT

OMAHA, NEBRASKA
 (402) 453-9595
 1-800-442-6009
 FAX (402) 453-1740

No. 50 - 5/8" Pitch

No. Teeth	NOVA Import Stock No.	Sprocket No.	Fits QD Bushing	Max. Bore	Outside Dia.	Hub		F	Wt. Lbs.
						Dia.	LTB		
12	260050125*	50JA12	JA	1-1/4	2.708	2-1/16	5/8	2	.60
13	260050135*	50JA13	JA	1-1/4	2.911	2-1/16	5/8	2	.60
14	260050145*	50JA14	JA	1-1/4	3.113	2-1/16	5/8	2	.80
15	260050155*	50JA15	JA	1-1/4	3.315	2-1/16	5/8	2	.80
16	260050165*	50JA16	JA	1-1/4	3.517	2-1/16	5/8	2	.90
17	260050175*	50SH17	SH	1-5/8	3.718	2-11/16	13/16	2-11/16	.90
18	260050185*	50SH18	SH	1-5/8	3.919	2-11/16	13/16	2-11/16	1.00
19	260050195*	50SH19	SH	1-5/8	4.121	2-11/16	13/16	2-11/16	1.20
20	260050205*	50SDS20	SDS	2	4.321	3-3/16	3/4	3-3/16	1.40
21	260050215*	50SDS21	SDS	2	4.522	3-3/16	3/4	3-3/16	1.50
22	260050225*	50SDS22	SDS	2	4.722	3-3/16	3/4	3-3/16	1.60
23	260050235*	50SDS23	SDS	2	4.923	3-3/16	3/4	3-3/16	1.80
24	260050245*	50SDS24	SDS	2	5.123	3-3/16	3/4	3-3/16	2.00
25	260050255*	50SDS25	SDS	2	5.323	3-3/16	3/4	3-3/16	2.10
26	260050265*	50SDS26	SDS	2	5.523	3-3/16	3/4	3-3/16	2.30
27	260050275*	50SDS27	SDS	2	5.723	3-3/16	3/4	3-3/16	2.40
28	260050285*	50SDS28	SDS	2	5.922	3-3/16	3/4	3-3/16	2.60
30	260050305*	50SDS30	SDS	2	6.321	3-3/16	3/4	3-3/16	2.90
32	260050325*	50SDS32	SDS	2	6.721	3-3/16	3/4	3-3/16	3.20
35	260050355*	50SDS35	SDS	2	7.319	3-3/16	3/4	3-3/16	3.60
36	260050365	50SDS36	SDS	2	7.519	3-3/16	3/4	3-3/16	4.00
40	260050405	50SDS40	SDS	2	8.316	3-3/16	3/4	3-3/16	6.50
42	260050425	50SDS42	SDS	2	8.715	3-3/16	3/4	3-3/16	5.10
45	260050455	50SDS45	SDS	2	9.313	3-3/16	3/4	3-3/16	5.80
48	260050485	50SDS48	SDS	2	9.911	3-3/16	3/4	3-3/16	6.90
54	260050545	50SK54	SK	2-1/2	11.106	3-7/8	1-1/4	3-7/8	10.20
60	260050605	50SK60	SK	2-1/2	12.301	3-7/8	1-1/4	3-7/8	11.30
70	260050705	50SK70	SK	2-1/2	14.292	3-7/8	1-1/4	3-7/8	14.70
72	260050725	50SK72	SK	2-1/2	14.690	3-7/8	1-1/4	3-7/8	15.60
80	260050805	50SF80	SF	2-3/4	16.283	4-5/8	1-1/4	4-5/8	19.70
84	260080845	50SF84	SF	2-3/4	17.079	4-5/8	1-1/4	4-5/8	21.60
96	260050965	50SF96	SF	2-3/4	19.467	4-5/8	1-1/4	4-5/8	27.60
112	2600501125	50SF112	SF	2-3/4	22.651	4-5/8	1-1/4	4-5/8	38.10

* Teeth hardened 30-45 Rc

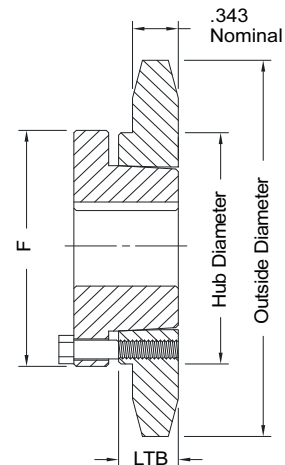
Additional sizes available by quotation.

SEND YOUR INQUIRIES

QD Bushing Data

Bushing	Bore Range	
	Standard Keyway	Shallow Keyway
JA	1/2 to 1	1-1/16 to 1-1/4
SH	1/2 to 1-3/8	1-7/16 to 1-5/8
SDS	1/2 to 1-11/16	1-3/4 to 2
SK	3/4 to 2-1/8	2-3/16 to 2-1/2
SF	1 to 2-1/4	2-3/8 to 2-3/4

Stock numbers and dimensional information shown on pages 47 & 48.



Type B

QD Sprockets

QD SPROCKETS NOVA IMPORT



OMAHA, NEBRASKA
(402) 453-9595
1-800-442-6009
FAX (402) 453-1740

No. 60 - 3/4" Pitch

No. Teeth	NOVA Import Stock No.	Sprocket No.	Fits QD Bushing	Max. Bore	Outside Dia.	Hub		F	Wt. Lbs.
						Dia.	LTB		
11	260060115*	60JA11	JA	1-1/4	3.005	2-1/16	5/8	2	.70
12	260060125*	60JA12	JA	1-1/4	3.249	2-1/16	5/8	2	.70
13	260060135*	60JA13	JA	1-1/4	3.493	2-1/16	5/8	2	.80
14	260060145*	60SH14	SH	1-5/8	3.737	2-11/16	13/16	2-11/16	.80
15	260060155*	60SH15	SH	1-5/8	3.979	2-11/16	13/16	2-11/16	.90
16	260060165*	60SH16	SH	1-5/8	4.220	2-11/16	13/16	2-11/16	1.10
17	260060175*	60SDS17	SDS	2	4.463	3-3/16	3/4	3-3/16	1.30
18	260060185*	60SDS18	SDS	2	4.703	3-3/16	3/4	3-3/16	1.50
19	260060195*	60SDS19	SDS	2	4.945	3-3/16	3/4	3-3/16	1.60
20	260060205*	60SDS20	SDS	2	5.186	3-3/16	3/4	3-3/16	2.00
21	260060215*	60SDS21	SDS	2	5.426	3-3/16	3/4	3-3/16	2.00
22	260060225*	60SDS22	SDS	2	5.666	3-3/16	3/4	3-3/16	2.20
23	260060235*	60SDS23	SDS	2	5.906	3-3/16	3/4	3-3/16	2.50
24	260060245*	60SDS24	SDS	2	6.147	3-3/16	3/4	3-3/16	2.80
25	260060255*	60SDS25	SDS	2	6.387	3-3/16	3/4	3-3/16	3.24
26	260060265*	60SK26	SK	2-1/2	6.627	3-7/8	1-1/4	3-7/8	4.60
27	260060275	60SK27	SK	2-5/8	6.870	3-7/8	1-1/4	3-7/8	4.52
28	260060285*	60SK28	SK	2-1/2	7.106	3-7/8	1-1/4	3-7/8	5.25
30	260060305*	60SK30	SK	2-1/2	7.586	3-7/8	1-1/4	3-7/8	5.50
32	260060325	60SK32	SK	2-1/2	8.065	3-7/8	1-1/4	3-7/8	6.20
35	260060355	60SK35	SK	2-1/2	8.783	3-7/8	1-1/4	3-7/8	7.50
36	260060365	60SK36	SK	2-1/2	9.023	3-7/8	1-1/4	3-7/8	7.80
40	260060405	60SK40	SK	2-1/2	9.980	3-7/8	1-1/4	3-7/8	9.50
42	260060425	60SF42	SF	2-3/4	10.458	4-5/8	1-1/4	4-5/8	11.00
45	260060455	60SF45	SF	2-3/4	11.176	4-5/8	1-1/4	4-5/8	12.10
48	260060485	60SF48	SF	2-3/4	11.893	4-5/8	1-1/4	4-5/8	13.80
54	260060545	60SF54	SF	2-3/4	13.327	4-5/8	1-1/4	4-5/8	16.80
60	260060605	60SF60	SF	2-3/4	14.761	4-5/8	1-1/4	4-5/8	21.30
70	260060705	60SF70	SF	2-3/4	17.150	4-5/8	1-1/4	4-5/8	28.60
72	260060725	60SF72	SF	2-3/4	17.628	4-5/8	1-1/4	4-5/8	31.00
80	260060805	60SF80	SF	2-3/4	19.539	4-5/8	1-1/4	4-5/8	37.00
84	260060845	60SF84	SF	2-3/4	20.495	4-5/8	1-1/4	4-5/8	38.50
96	260060965	60SF96	SF	2-3/4	23.360	4-5/8	1-1/4	4-5/8	52.40
112	260601125	60E112	E	3-7/16	27.181	6	1-5/8	6	75.50

* Teeth hardened 30-45 Rc

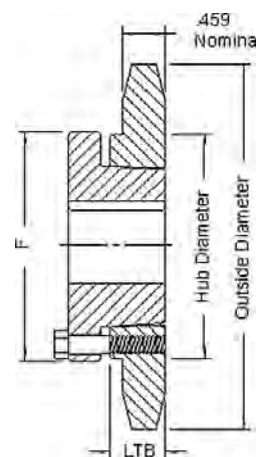
Additional sizes available by quotation.

SEND YOUR INQUIRIES

QD Bushing Data

Bushing	Bore Range	
	Standard Keyway	Shallow Keyway
JA	1/2 to 1	1-1/16 to 1-1/4
SH	1/2 to 1-3/8	1-7/16 to 1-5/8
SDS	1/2 to 1-11/16	1-3/4 to 2
SK	3/4 to 2-1/8	2-3/16 to 2-1/2
SF	1 to 2-1/4	2-3/8 to 2-3/4
E	7/8 to 2-3/4	2-13/16 to 3-7/16

Stock numbers and dimensional information shown on pages 47 & 48.



Type B

QD Sprockets



QD SPROCKETS NOVA IMPORT

OMAHA, NEBRASKA
 (402) 453-9595
 1-800-442-6009
 FAX (402) 453-1740

No. 80 - 1" Pitch

No. Teeth	NOVA Import Stock No.	Sprocket No.	Fits QD Bushing	Max. Bore	Outside Dia.	Hub		F	Type	Wt. Lbs.
						Dia.	LTB			
11	260080115*	80SH11	SH	1-5/8	4.006	2-11/16	13/16	2-11/16	B	1.10
12	260080125*	80SH12	SH	1-5/8	4.332	2-11/16	13/16	2-11/16	B	1.40
13	260080135*	80SDS13	SDS	2	4.657	3-3/16	3/4	3-3/16	B	1.50
14	260080145*	80SDS14	SDS	2	4.982	3-3/16	3/4	3-3/16	B	1.90
15	260080155*	80SK15	SK	2-1/2	5.305	3-7/8	1-1/4	3-7/8	B	2.60
16	260080165*	80SK16	SK	2-1/2	5.627	3-7/8	1-1/4	3-7/8	B	3.20
17	260080175*	80SK17	SK	2-1/2	5.950	3-7/8	1-1/4	3-7/8	B	3.70
18	260080185*	80SK18	SK	2-1/2	6.271	3-7/8	1-1/4	3-7/8	B	4.20
19	260080195*	80SK19	SK	2-1/2	6.593	3-7/8	1-1/4	3-7/8	B	4.40
20	260080205*	80SF20	SF	2-3/4	6.914	4-5/8	1-1/4	4-5/8	B	5.20
21	260080215*	80SF21	SF	2-3/4	7.240	4-5/8	1-1/4	4-5/8	B	5.70
22	260080225	80SF22	SF	2-3/4	7.560	4-5/8	1-1/4	4-5/8	B	6.30
24	260080245	80SF24	SF	2-3/4	8.196	4-5/8	1-1/4	4-5/8	B	7.60
25	260080255	80SF25	SF	2-3/4	8.516	4-5/8	1-1/4	4-5/8	B	8.40
26	260080265	80SF26	SF	2-3/4	8.836	4-5/8	1-1/4	4-5/8	B	8.80
27	260080275	80SF27	SF	2-3/4	9.156	4-5/8	1-1/4	4-5/8	B	9.90
28	260080285	80SF28	SF	2-3/4	9.475	4-5/8	1-1/4	4-5/8	B	10.30
30	260080305	80SF30	SF	2-3/4	10.114	4-5/8	1-1/4	4-5/8	B	11.60
32	260080325	80SF32	SF	2-3/4	10.753	4-5/8	1-1/4	4-5/8	B	13.30
33	260080335	80SF33	SF	2-3/4	11.072	4-5/8	1-1/4	4-5/8	B	13.50
34	260080345	80SF34	SF	2-3/4	11.392	4-5/8	1-1/4	4-5/8	B	15.00
35	260080355	80SF35	SF	2-3/4	11.711	4-5/8	1-1/4	4-5/8	B	15.70
36	260080365	80SF36	SF	2-3/4	12.030	4-5/8	1-1/4	4-5/8	B	16.70
40	260080405	80SF40	SF	2-3/4	13.306	4-5/8	1-1/4	4-5/8	B	20.70
42	260080425	80SF42	SF	2-3/4	13.940	4-5/8	1-1/4	4-5/8	B	22.40
45	260080455	80SF45	SF	2-3/4	14.901	4-5/8	1-1/4	4-5/8	B	25.00
48	260080485	80SF48	SF	2-3/4	15.857	4-5/8	1-1/4	4-5/8	B	29.30
60	260080605	80SF60	SF	2-3/4	19.681	4-5/8	1-1/4	4-5/8	B	45.70
70	260080705	80E70	E	3-7/16	22.867	6	1-5/8	6	C	55.60
72	260080725	80E72	E	3-7/16	23.504	6	1-5/8	6	C	59.30
84	260080845	80E84	E	3-7/16	27.326	6	1-5/8	6	C	74.90
96	260080965	80E96	E	3-7/16	31.146	6	1-5/8	6	C	97.50

Additional sizes available by quotation.

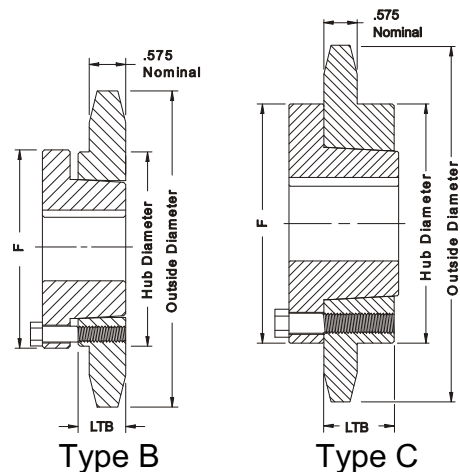
* Teeth hardened 30-45 Rc

SEND YOUR INQUIRIES

QD Bushing Data

Bushing	Bore Range	
	Standard Keyway	Shallow Keyway
SH	1/2 to 1-3/8	1-7/16 to 1-5/8
SDS	1/2 to 1-11/16	1-3/4 to 2
SK	3/4 to 2-1/8	2-3/16 to 2-1/2
SF	1 to 2-1/4	2-3/8 to 2-3/4
E	7/8 to 2-3/4	2-13/16 to 3-7/16

Stock numbers and dimensional information shown on pages 47 & 48.



QD SPROCKETS NOVA IMPORT



OMAHA, NEBRASKA
(402) 453-9595
1-800-442-6009
FAX (402) 453-1740

No. 100 - 1-1/4" Pitch

No. Teeth	NOVA Import Stock No.	Sprocket No.	Fits QD Bushing	Max. Bore	Outside Dia.	Hub		F	Type	Wt. Lbs.
						Dia.	LTB			
11	260100115*	100SDS11	SDS	2	5.008	3-3/16	3/4	3-3/16	B	1.60
12	260100125*	100SDS12	SDS	2	5.415	3-3/16	3/4	3-3/16	B	2.10
13	260100135*	100SK13	SK	2-1/2	5.821	3-7/8	1-1/4	3-7/8	B	3.00
14	260100145*	100SK14	SK	2-1/2	6.228	3-7/8	1-1/4	3-7/8	B	4.10
15	260100155*	100SF15	SF	2-3/4	6.631	4-5/8	1-1/4	4-5/8	B	5.50
16	260100165*	100SF16	SF	2-3/4	7.034	4-5/8	1-1/4	4-5/8	B	6.10
17	260100175*	100SF17	SF	2-3/4	7.438	4-5/8	1-1/4	4-5/8	B	7.00
18	260100185*	100E18	E	3-7/16	7.839	6	1-5/8	6	B	7.60
19	260100195*	100E19	E	3-7/16	8.241	6	1-5/8	6	B	10.20
20	260100205*	100E20	E	3-7/16	8.643	6	1-5/8	6	B	10.60
21	260100215*	100E21	E	3-7/16	9.040	6	1-5/8	6	B	12.50
22	260100225	100E22	E	3-7/16	9.440	6	1-5/8	6	B	13.30
23	260100235	100E23	E	3-7/16	9.840	6	1-5/8	6	B	15.20
24	260100245	100E24	E	3-7/16	10.250	6	1-5/8	6	B	16.10
25	260100255	100E25	E	3-7/16	10.650	6	1-5/8	6	B	17.00
26	260100265	100E26	E	3-7/16	11.050	6	1-5/8	6	B	17.50
28	260100285	100E28	E	3-7/16	11.840	6	1-5/8	6	B	19.90
30	260100305	100E30	E	3-7/16	12.640	6	1-5/8	6	B	24.10
32	260100325	100E32	E	3-7/16	13.440	6	1-5/8	6	B	26.00
35	260100355	100E35	E	3-7/16	14.640	6	1-5/8	6	B	29.40
36	260100365	100E36	E	3-7/16	15.040	6	1-5/8	6	B	31.70
40	260100405	100E40	E	3-7/16	16.633	6	1-5/8	6	B	39.10
45	260100455	100E45	E	3-7/16	18.626	6	1-5/8	6	B	48.90
54	260100545	100E54	E	3-7/16	22.211	6	1-5/8	6	C	62.00
60	260100605	100E60	E	3-7/16	24.601	6	1-5/8	6	C	74.00

* Teeth hardened 30-45 Rc

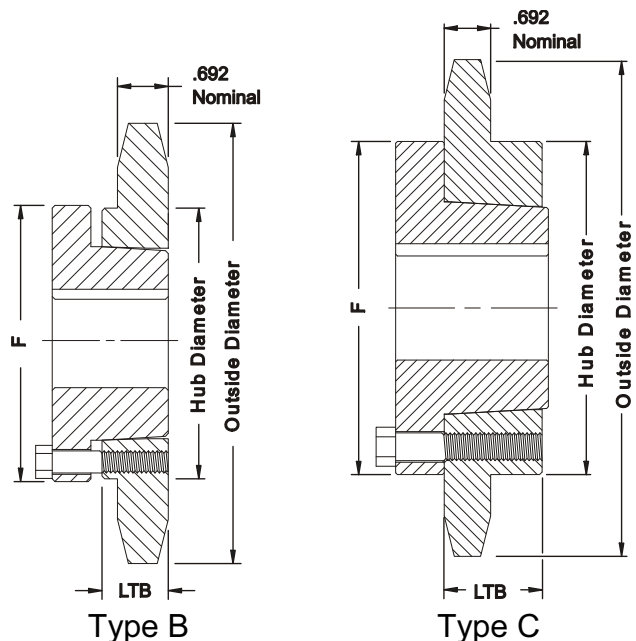
Additional sizes available by quotation.

SEND YOUR INQUIRIES

QD Bushing Data

Bushing	Bore Range	
	Standard Keyway	Shallow Keyway
SDS	1/2 to 1-11/16	1-3/4 to 2
SK	3/4 to 2-1/8	2-3/16 to 2-1/2
SF	1 to 2-1/4	2-3/8 to 2-3/4
E	7/8 to 2-3/4	2-13/16 to 3-7/16

Stock numbers and dimensional information shown on pages 47 & 48.





QD SPROCKETS NOVA IMPORT

OMAHA, NEBRASKA
 (402) 453-9595
 1-800-442-6009
 FAX (402) 453-1740

No. 120 - 1-1/2" Pitch

No. Teeth	NOVA Import Stock No.	Sprocket No.	Fits QD Bushing	Max. Bore	Outside Dia.	Hub		F	Type	Wt. Lbs.
						Dia.	LTB			
12	260120125*	120SF12	SF	2-3/4	6.500	4-5/8	1-1/4	4-5/8	B	5.10
13	260120135*	120SF13	SF	2-3/4	6.990	4-5/8	1-1/4	4-5/8	B	5.80
14	260120145*	120SF14	SF	2-3/4	7.470	4-5/8	1-1/4	4-5/8	B	7.00
15	260120155*	120SF15	SF	2-3/4	7.960	4-5/8	1-1/4	4-5/8	B	9.00
16	260120165*	120E16	E	3-1/2	8.440	6	1-5/8	6	B	11.10
18	260120185*	120E18	E	3-1/2	9.410	6	1-5/8	6	B	14.80
19	260120195*	120E19	E	3-1/2	9.890	6	1-5/8	6	B	16.50
20	260120205*	120E20	E	3-1/2	10.371	6	1-5/8	6	B	19.20
22	260120225	120E22	E	3-1/2	11.333	6	1-5/8	6	B	21.60
36	260120365	120F36	F	3-15/16	18.045	6-5/8	2-1/2	6-5/8	C	63.40
45	206120455	120F45	F	3-15/16	22.352	6-5/8	2-1/2	6-5/8	C	84.00
48	260120485	120F48	F	3-15/16	23.786	6-5/8	2-1/2	6-5/8	C	92.00
54	260120545	120F54	F	3-15/16	26.654	6-5/8	2-1/2	6-5/8	C	114.00
60	260120605	120J60	J	4-7/16	29.522	7-1/4	3-3/16	7-1/4	C	140.00

No. 140 - 1-3/4" Pitch

No. Teeth	NOVA Import Stock No.	Sprocket No.	Fits QD Bushing	Max. Bore	Outside Dia.	Hub		F	Type	Wt. Lbs.
						Dia.	LTB			
15	260140155	140E15	E	3-1/2	9.280	6	1-5/8	6	B	14.20
16	260140165	140E16	E	3-1/2	9.850	6	1-5/8	6	B	15.90
17	260140175	140E17	E	3-1/2	10.410	6	1-5/8	6	B	18.00
19	260140195	140E19	E	3-1/2	11.540	6	1-5/8	6	B	22.00
22	260140225	140E22	E	3-1/2	13.220	6	1-5/8	6	B	29.50

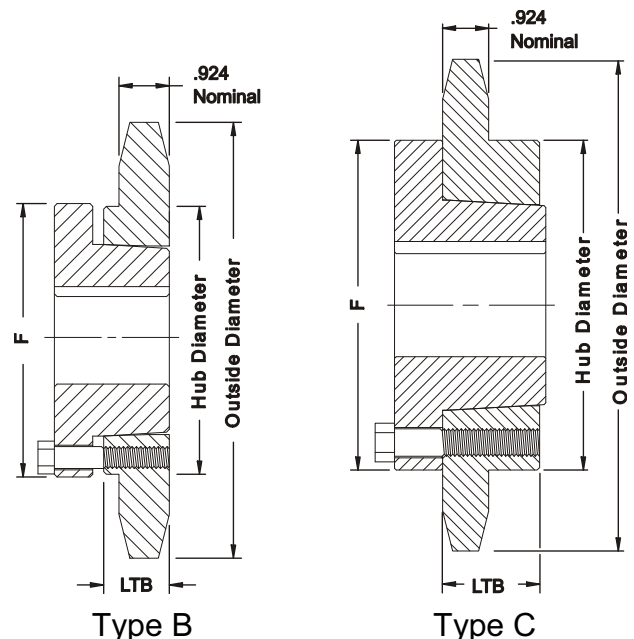
* Teeth hardened 30-45 Rc Additional sizes available by quotation.

SEND YOUR INQUIRIES

QD Bushing Data

Bushing	Bore Range	
	Standard Keyway	Shallow Keyway
SF	1 to 2-1/4	2-3/8 to 2-3/4
E	7/8 to 2-3/4	2-13/16 to 3-7/16
F	1 to 3-1/4	3-5/16 to 3-15/16
J	1-1/2 to 3-13/16	3-7/8 to 4-1/2

Stock numbers and dimensional information shown on page 47 & 48.



QD SPROCKETS NOVA IMPORT



OMAHA, NEBRASKA
(402) 453-9595
1-800-442-6009
FAX (402) 453-1740

No. 160 - 2" Pitch

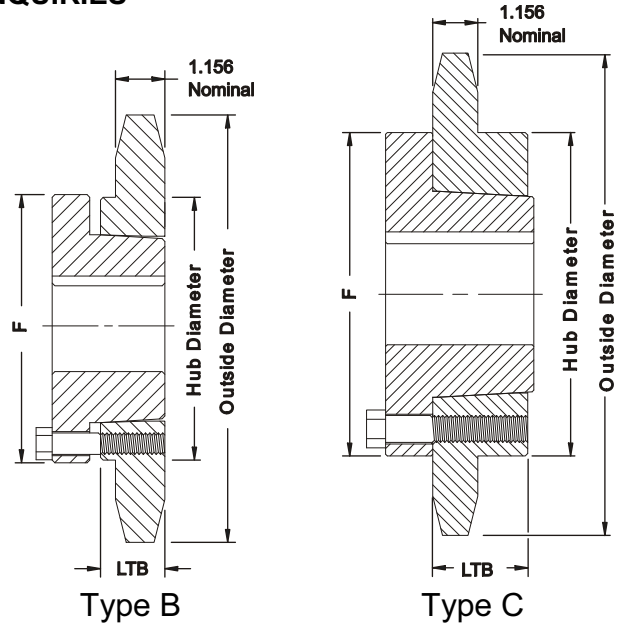
No. Teeth	NOVA Import Stock No.	Sprocket No.	Fits QD Bushing	Max. Bore	Outside Dia.	Hub		F	Type	Wt. Lbs.
						Dia.	LTB			
12	260160125	160E12	E	3-1/2	8.660	6	1-5/8	6	B	11.00
13	260160135	160E13	E	3-1/2	9.310	6	1-5/8	6	B	14.00
17	260160175	160F17	F	3-15/16	11.900	6-5/8	2-1/2	6-5/8	B	31.00
18	260160185	160F18	F	3-15/16	12.540	6-5/8	2-1/2	6-5/8	B	35.00
30	260160305	160J30	J	4-7/16	20.230	7-1/4	3-3/16	7-1/4	C	96.00

Additional sizes available by quotation. **SEND YOUR INQUIRIES**

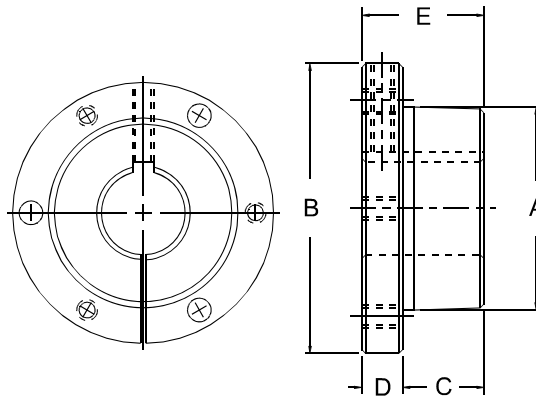
QD Bushing Data

Bushing	Bore Range	
	Standard Keyway	Shallow Keyway
	SF	1 to 2-1/4
E	7/8 to 2-3/4	2-13/16 to 3-7/16
F	1 to 3-1/4	3-5/16 to 3-15/16
J	1-1/2 to 3-13/16	3-7/8 to 4-1/2

Stock numbers shown on page 48.
Dimensional information below.



QD BUSHINGS DIMENSIONS



Bushing Size	A	B	C	D	E	Bolt Circle	Cap Screws Required
JA	1.38	2	11/16	5/16	1	1-21/32	3ea. 10-24 X 1
SH	1.87	2-11/16	7/8	7/16	1-5/16	2-1/4	3ea. 1/4 X 1-3/8
SDS	2.19	3-3/16	7/8	7/16	1-5/16	2-11/16	3ea. 1/4 X 1-3/8
SK	2.81	3-7/8	1-3/8	9/16	1-15/16	3-5/16	3ea. 5/16 X 1-7/8
SF	3.13	4-5/8	1-7/16	5/8	2-1/16	3-7/8	3ea. 3/8 X 2-1/4
E	3.83	6	1-7/8	7/8	2-3/4	5	3ea. 1/2 X 2-3/4
F	4.44	6-5/8	2-3/4	1	3-3/4	5-5/8	3ea. 9/16 X 3-5/8
J	5.15	7-1/4	3-1/2	1-1/8	4-5/8	6-1/4	3ea. 5/8 X 4-1/2

QD Sprockets



OMAHA, NEBRASKA
 (402) 453-9595
 1-800-442-6009
 FAX (402) 453-1740

QD BUSHINGS

QD Bushings are precision machined, tapered and fully split on one side. The taper bored QD Sprocket easily fits over the tapered bushing, and tightening of the cap screws produces a tight press fit on the shaft. The sprocket is easily removed from the bushing by using the pull-up bolts as jackscrews in the holes tapped in the rim of the sprocket. Bushings are double drilled for reverse mounting.

Stock No.	Bushing Size	Bore Size	Std. KW	Wt. Lbs.	Stock No.	Bushing Size	Bore Size	Std. KW	Wt. Lbs.	Stock No.	Bushing Size	Bore Size	Std. KW	Wt. Lbs.
2610JA06	JA	3/8	No	.53	2610SK08	SK	1/2	1/8	3.60	2610SF32	SF	2	1/2	4.25
2610JA07	JA	7/16	No	.52	2610SK09	SK	9/16	1/8	3.57	2610SF33	SF	2-1/16	1/2	4.18
2610JA08	JA	1/2	1/8	.51	2610SK10	SK	5/8	3/16	3.53	2610SF34	SF	2-1/8	1/2	4.05
2610JA09	JA	9/16	1/8	.50	2610SK11	SK	11/16	3/16	3.50	2610SF35	SF	2-3/16	1/2	3.93
2610JA10	JA	5/8	3/16	.49	2610SK12	SK	3/4	3/16	3.45	2610SF36	SF	2-1/4	1/2	3.76
2610JA11	JA	11/16	3/16	.45	2610SK13	SK	13/16	3/16	3.40	2610SF37	SF	2-5/16	5/8*	3.70
2610JA12	JA	3/4	3/16	.44	2610SK14	SK	7/8	3/16	3.38	2610SF38	SF	2-3/8	5/8*	3.69
2610JA13	JA	13/16	3/16	.42	2610SK15	SK	15/16	1/4	3.36	2610SF39	SF	2-7/16	5/8*	3.58
2610JA14	JA	7/8	3/16	.40	2610SK16	SK	1	1/4	3.34	2610SF40	SF	2-1/2	5/8*	3.46
2610JA15	JA	15/16	1/4	.37	2610SK17	SK	1-1/16	1/4	3.30	2610SF41	SF	2-9/16	5/8*	3.28
2610JA16	JA	1	1/4	.34	2610SK18	SK	1-1/8	1/4	3.26	2610SF42	SF	2-5/8	5/8*	3.16
2610JA17	JA	1-1/16	1/4*	.31	2610SK19	SK	1-3/16	1/4	3.12	2610SF43	SF	2-11/16	5/8*	3.05
2610JA18	JA	1-1/8	1/4*	.30	2610SK20	SK	1-1/4	1/4	3.16	2610SF44	SF	2-3/4	5/8*	2.89
2610JA19	JA	1-3/16	1/4*	.27	2610SK21	SK	1-5/16	5/16	3.07	2610SF45	SF	2-13/16	3/4*	2.82
2610JA20	JA	1-1/4	No	.23	2610SK22	SK	1-3/8	5/16	3.01	2610SF46	SF	2-7/8	3/4*	2.77
2610SH08	SH	1/2	1/8	1.16	2610SK23	SK	1-7/16	3/8	2.92	2610SF47	SF	2-15/16	3/4*	2.73
2610SH09	SH	9/16	1/8	1.18	2610SK24	SK	1-1/2	3/8	2.87	26100E14	E	7/8	3/16	13.39
2610SH10	SH	5/8	3/16	1.16	2610SK25	SK	1-9/16	3/8	2.78	26100E15	E	15/16	1/4	13.32
2610SH11	SH	11/16	3/16	1.14	2610SK26	SK	1-5/8	3/8	2.70	26100E16	E	1	1/4	13.26
2610SH12	SH	3/4	3/16	1.09	2610SK27	SK	1-11/16	3/8	2.58	26100E17	E	1-1/16	1/4	13.18
2610SH13	SH	13/16	3/16	1.07	2610SK28	SK	1-3/4	3/8	2.52	26100E18	E	1-1/8	1/4	13.10
2610SH14	SH	7/8	3/16	1.11	2610SK29	SK	1-13/16	1/2	2.40	26100E19	E	1-3/16	1/4	13.02
2610SH15	SH	15/16	1/4	1.00	2610SK30	SK	1-7/8	1/2	2.30	26100E20	E	1-1/4	1/4	12.91
2610SH16	SH	1	1/4	1.02	2610SK31	SK	1-15/16	1/2	2.24	26100E21	E	1-5/16	5/16	12.83
2610SH17	SH	1-1/16	1/4	1.00	2610SK32	SK	2	1/2	2.18	26100E22	E	1-3/8	5/16	12.75
2610SH18	SH	1-1/8	1/4	.93	2610SK33	SK	2-1/16	1/2	2.11	26100E23	E	1-7/16	3/8	12.63
2610SH19	SH	1-3/16	1/4	.96	2610SK34	SK	2-1/8	1/2	1.95	26100E24	E	1-1/2	3/8	12.51
2610SH20	SH	1-1/4	1/4	.91	2610SK35	SK	2-3/16	1/2	1.94	26100E25	E	1-9/16	3/8	12.35
2610SH21	SH	1-5/16	5/16	.86	2610SK36	SK	2-1/4	1/2	1.87	26100E26	E	1-5/8	3/8	12.19
2610SH22	SH	1-3/8	5/16	.80	2610SK37	SK	2-5/16	5/8*	1.97	26100E27	E	1-11/16	3/8	12.03
2610SH23	SH	1-7/16	3/8*	.79	2610SK38	SK	2-3/8	5/8*	1.80	26100E28	E	1-3/4	3/8	11.87
2610SH24	SH	1-1/2	3/8*	.75	2610SK39	SK	2-7/16	5/8*	1.70	26100E29	E	1-13/16	1/2	11.77
2610SH25	SH	1-9/16	3/8*	.58	2610SK40	SK	2-1/2	5/8*	1.61	26100E30	E	1-7/8	1/2	11.16
2610SH26	SH	1-5/8	3/8*	.63	2610SK41	SK	2-9/16	No	1.55	26100E31	E	1-15/16	1/2	11.49
2610SH27	SH	1-11/16	No	.60	2610SK42	SK	2-5/8	No	1.50	26100E32	E	2	1/2	11.15
261SDS08	SDS	1/2	1/8	1.71	2610SF08	SF	1/2	1/8	5.80	26100E33	E	2-1/16	1/2	11.13
261SDS09	SDS	9/16	1/8	1.66	2610SF09	SF	9/16	1/8	5.75	26100E34	E	2-1/8	1/2	11.11
261SDS10	SDS	5/8	3/16	1.62	2610SF10	SF	5/8	3/16	5.72	26100E35	E	2-3/16	1/2	11.17
261SDS11	SDS	11/16	3/16	1.71	2610SF11	SF	11/16	3/16	5.69	26100E36	E	2-1/4	1/2	10.60
261SDS12	SDS	3/4	3/16	1.59	2610SF12	SF	3/4	3/16	5.66	26100E37	E	2-5/16	5/8	10.25
261SDS13	SDS	13/16	3/16	1.54	2610SF13	SF	13/16	3/16	5.63	26100E38	E	2-3/8	5/8	10.16
261SDS14	SDS	7/8	3/16	1.56	2610SF14	SF	7/8	3/16	5.60	26100E39	E	2-7/16	5/8	10.04
261SDS15	SDS	15/16	1/4	1.51	2610SF15	SF	15/16	1/4	5.59	26100E40	E	2-1/2	5/8	9.96
261SDS16	SDS	1	1/4	1.50	2610SF16	SF	1	1/4	5.54	26100E41	E	2-9/16	5/8	9.75
261SDS17	SDS	1-1/16	1/4	1.47	2610SF17	SF	1-1/16	1/4	5.51	26100E42	E	2-5/8	5/8	9.50
261SDS18	SDS	1-1/8	1/4	1.43	2610SF18	SF	1-1/8	1/4	5.42	26100E43	E	2-11/16	5/8	9.40
261SDS19	SDS	1-3/16	1/4	1.41	2610SF19	SF	1-3/16	1/4	5.44	26100E44	E	2-3/4	5/8	9.12
261SDS20	SDS	1-1/4	1/4	1.39	2610SF20	SF	1-1/4	1/4	5.17	26100E45	E	2-13/16	3/4	8.94
261SDS21	SDS	1-5/16	5/16	1.36	2610SF21	SF	1-5/16	5/16	5.20	26100E46	E	2-7/8	3/4	8.89
261SDS22	SDS	1-3/8	5/16	1.33	2610SF22	SF	1-3/8	5/16	5.22	26100E47	E	2-15/16	3/4*	8.81
261SDS23	SDS	1-7/16	3/8	1.21	2610SF23	SF	1-7/16	3/8	5.12	26100E48	E	3	3/4*	8.63
261SDS24	SDS	1-1/2	3/8	1.11	2610SF24	SF	1-1/2	3/8	5.07	26100E49	E	3-1/16	3/4*	8.55
261SDS25	SDS	1-9/16	3/8	1.08	2610SF25	SF	1-9/16	3/8	5.02	26100E50	E	3-1/8	3/4*	8.43
261SDS26	SDS	1-5/8	3/8	1.02	2610SF26	SF	1-5/8	3/8	4.91	26100E51	E	3-3/16	3/4*	8.36
261SDS27	SDS	1-11/16	3/8	1.14	2610SF27	SF	1-11/16	3/8	4.76	26100E52	E	3-1/4	3/4*	8.26
261SDS28	SDS	1-3/4	3/8*	1.06	2610SF28	SF	1-3/4	3/8	4.74	26100E53	E	3-5/16	7/8*	8.14
261SDS29	SDS	1-13/16	1/2*	1.00	2610SF29	SF	1-13/16	1/2	4.53	26100E54	E	3-3/8	7/8*	8.03
261SDS30	SDS	1-7/8	1/2*	.90	2610SF30	SF	1-7/8	1/2	4.54	26100E55	E	3-7/16	7/8*	7.94
261SDS31	SDS	1-15/16	1/2*	.89	2610SF31	SF	1-15/16	1/2	4.48	26100E56	E	3-1/2	7/8*	7.86
261SDS32	SDS	2	No	.67										

* Shallow key depth. Rect. Key furnished to fit standard keyway in shaft and shallow keyway in bushing.

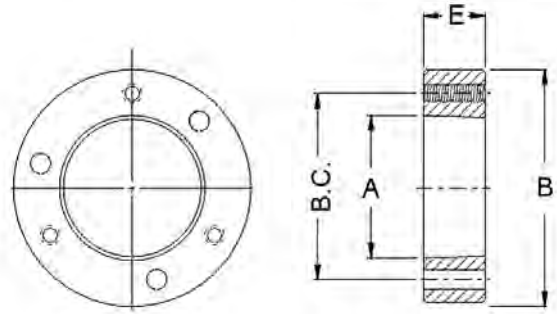
QD Sprockets

QD WELD ON ADAPTERS



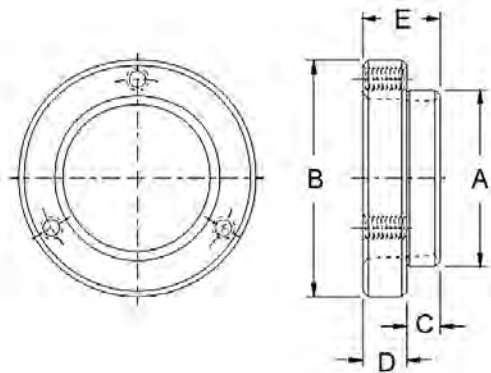
OMAHA, NEBRASKA
(402) 453-9595
1-800-442-6009
FAX (402) 453-1740

The QD Weldon Adapter may be welded to type A sprockets, fan wheels, steel disc pulleys, and many other rotating units. The OD of the adapter is straight to facilitate the location of the adapter and bushing with respect to the rotating unit. Care must be taken in welding so that the unit to which it is applied is true.



Stock No.	Fits QD Bushing	A	B	E	B.C.	Cap Screws Required	Thd. Length	Wt. Lbs.
2620SH00	SH	1.87	3.00	13/16	2-1/4	3ea. 1/4 X 1-3/8	1	1.02
262SDS00	SDS	2.19	3.50	3/4	2-11/16	3ea. 1/4 X 1-3/8	1	1.03
2620SK00	SK	2.82	4.38	1-1/4	3-5/16	3ea. 5/16 X 2	1-5/8	3.02
2620SF00	SF	3.13	5.00	1-1/4	3-7/8	3ea. 3/8 X 2-1/4	1-3/4	4.03
26200E00	E	3.83	6.25	1-5/8	5	3ea. 1/2 X 2-3/4	2	9.00

QD WELDAHUBS® for WELDASPROCKETS®



These QD WELDAHUBS® are machined to fit the WELDASPROCKETS® found on pages 32, 33, 34, 35 and 36. The hubs will adapt all WELDASPROCKETS®, that fit standard W* and X series WELDAHUBS®, to a simple QD system. QD Bushings are listed on page 42 of this catalog.

Stock No.	WELDAHUB Series	Fits QD Bushing	A	B	C	D	E	Wt. Lbs.
262020JA	W*	JA	1-5/8	2-1/16	5/16	7/16	3/4	.41
262030SH	X	SH	2	2-11/16	3/8	1/2	7/8	.57
WILL FIT BROWNING SERIES BUSHINGS								
262030H1	X	H-1	2	2-1/2	5/16	5/8	15/16	.70
262050P1	Y	P1-1	2-3/4	3	9/16	3/4	1-5/16	1.40

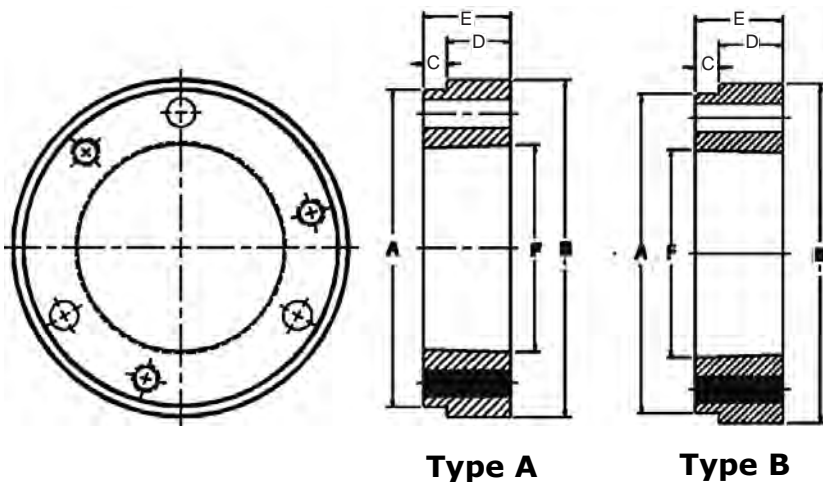
*Will not allow chain clearance on 5012W, 5013W, 6011W or 8009W WELDASPROCKET®.

NOTE: Shorter length bolts are furnished with hub.



OMAHA, NEBRASKA
 (402) 453-9595
 1-800-442-6009
 FAX (402) 453-1740

QD WELDAHUBS[®] for TYPE A PLATE SPROCKETS



Type A

Type B

Stock No.	F Fits QD Bushing	A	B	C	D	E	Type	Wt. Lbs.
2640SDSW	SDS	3-1/8	3-1/2	1/4	1/2	3/4	A	1.00
26040SKW	SK	4	4-3/8	1/4	1	1-1/4	A	2.40
2650SDSW	SDS	3-1/8	3-1/2	5/16	7/16	3/4	A	1.00
26050SKW	SK	4	4-3/8	5/16	15/16	1-1/4	A	2.40
26050SFW	SF	4-5/8	5	5/16	15/16	1-1/4	A	3.70
26060SDSW	SDS	3-1/8	3-1/2	7/16	5/16	3/4	A	1.00
26060SKW	SK	4	4-3/8	7/16	13/16	1-1/4	A	2.40
26060SFW	SF	4-5/8	5	7/16	13/16	1-1/4	A	3.60
260060EW	E	5-7/8	6-1/4	7/16	1-3/16	1-5/8	A	7.80
26080SFW	SF	4-5/8	5	9/16	11/16	1-1/4	A	3.50
260080EW	E	5-7/8	6-1/4	9/16	1-1/16	1-5/8	B	7.70
260080FW	F	6-5/8	7	9/16	1-15/16	2-1/2	B	14.70
26100EWB	E	5-7/8	6-1/4	11/16	15/16	1-5/8	A	7.50
26100EWC	E	5-7/8	6-1/4	11/16	15/16	1-5/8	B	7.50
260100FW	F	6-5/8	7	11/16	1-3/16	2-1/2	B	14.60
260120EW	E	5-7/8	6-1/4	7/8	3/4	1-5/8	A	7.40
260120FW	F	6-5/8	7	7/8	1-5/8	2-1/2	B	14.30
260120JW	J	7-3/8	7-3/4	7/8	2-5/16	3-3/16	B	23.70
260160FW	F	6-5/8	7	1-3/32	1-13/32	2-1/2	A	14.00
260160JW	J	7-3/8	7-3/4	1-1/8	2-1/16	3-3/16	B	23.30
260160MW	M	9-1/8	9-1/2	2-1/4	2-15/16	5-3/16	A	59.30

» Versatile and ideal for many applications, QD Weldahubs[®] are easily welded to any steel plate sprocket bored to fit dimension "A".

» QD Weldahubs[®] are constructed from steel, plus drilled, tapped and taper bored for any standard QD Bushing.

QD Sprockets

SECTION INDEX



OMAHA, NEBRASKA
(402) 453-9595
1-800-442-6009
FAX (402) 453-1740

Cast Aluminum Pulleys	58
Idler Pulleys.....	54
Powdered Metal Bushing Load Ratings	57
Pressed Steel Pulleys.....	53
Double Groove	53
Single Groove	53
Solid Steel Type B Pulleys	54
Solid Steel Type A Pulleys NOVA Import	55
Split Steel Pulleys C-Belt	52
Split Steel Pulleys AB-Belt NOVA Import.....	52
WELDAPULLEYS®	51
Wire Rope Pulleys	56

WWW.GGMFG.COM

Toll Free

(800) 442-6009



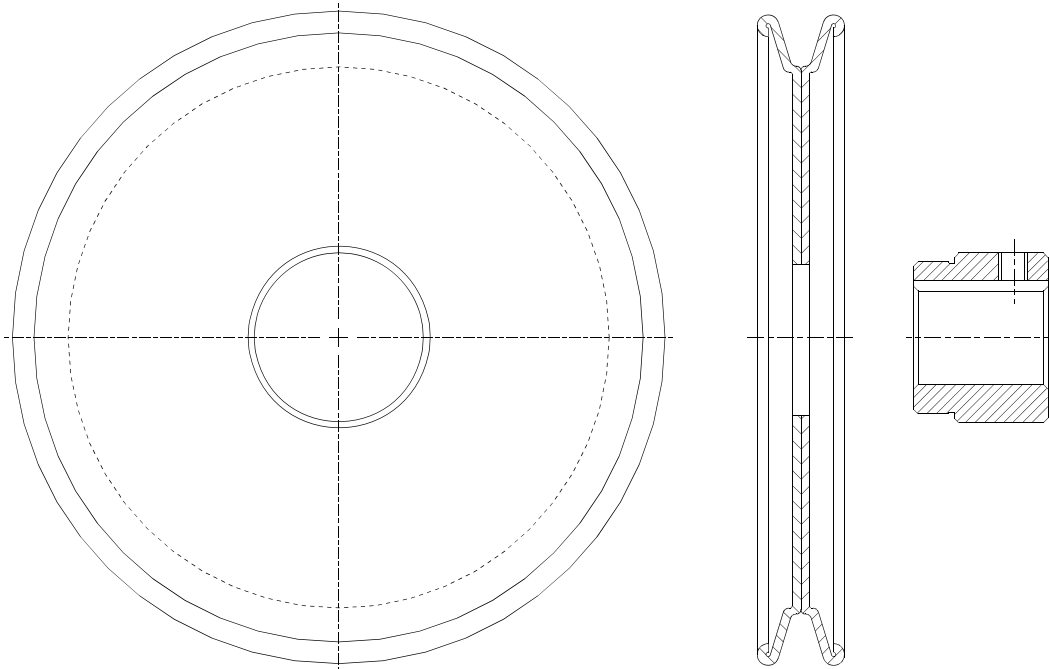
CATALOG
2017 - v1

**UPC Bar Coding is available on stock items
upon customer request.**

WELDAPULLEYS®



OMAHA, NEBRASKA
 (402) 453-9595
 1-800-442-6009
 FAX (402) 453-1740



WELDAPULLEYS® fit G&G standard WELDAHUBS® found on pages 37, 38 and 39.

NOTE: It is recommended to weld 4-1/2" diameter and under WELDAPULLEYS® on both sides. See page 36 for suggested welding instructions. See page 53 if you would like them furnished factory welded.

Pulleys

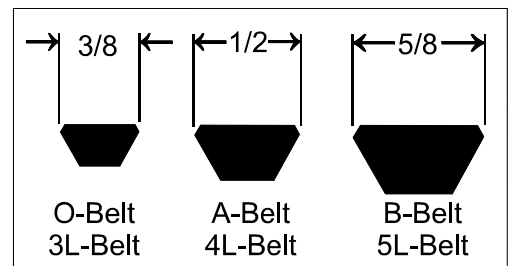
AB COMBINATION PRESSED STEEL (Fits either A or B V-Belts)

Stock No.	Outside Dia.	Hub Series	Wt. Lbs.
00710025*	2-1/2	V	.25
00710030*	3	V	.25
00720035	3-1/2	W	.50
00720040	4	W	.38
00720045	4-1/2	W	.50
00720050	5	W	.69
00720055	5-1/2	W	.94
00720060	6	W	1.00
00720065	6-1/2	W	1.06
00720070	7	W	1.19
00720080	8	W	1.50
00720090	9	W	1.94
00720100	10	W	2.56
00720110	11	W	2.56
00720120	12	W	3.38
00720140	14	W	4.63
00720160	16	W	5.83

OA COMBINATION PRESSED STEEL (Fits either O or A V-Belts)

Stock No.	Outside Dia.	Hub Series	Wt. Lbs.
0072A035	3-1/2	W	.50
0072A040	4	W	.38
0072A045	4-1/2	W	.50
0072A055	5-1/2	W	.94
0072A060	6	W	1.00
0072A065	6-1/2	W	1.06
0072A070	7	W	1.19
0072A080	8	W	1.50
0072A090	9	W	1.94
0072A100	10	W	2.56
0072A110	11	W	2.56
0072A120	12	W	3.38
0072A140	14	W	4.63

BELT DIMENSIONS



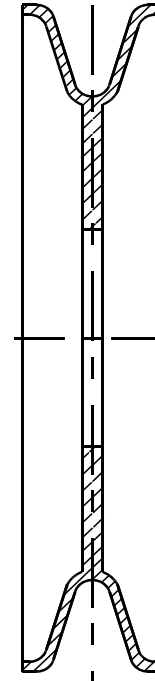
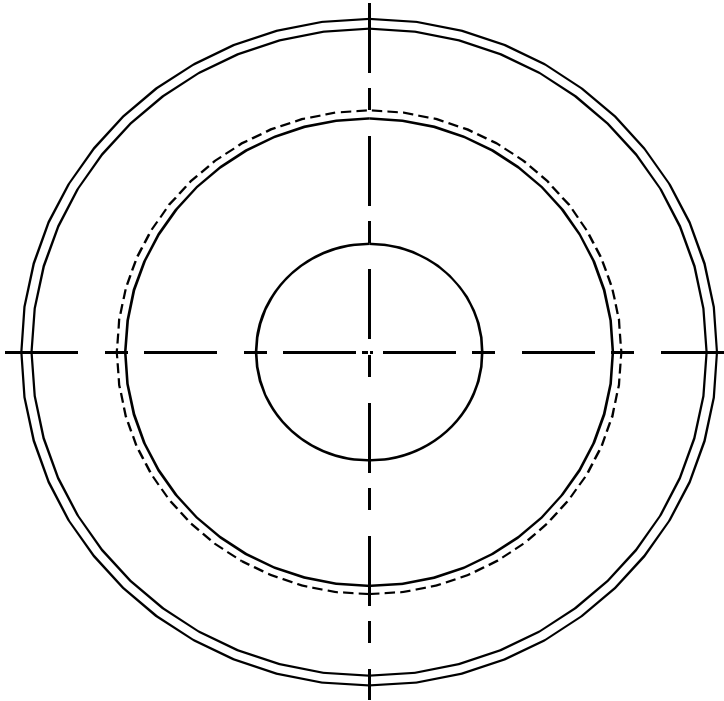
*Made from Bar Stock

WELDAPULLEYS® are designed for fractional HP applications only.



OMAHA, NEBRASKA
 (402) 453-9595
 1-800-442-6009
 FAX (402) 453-1740

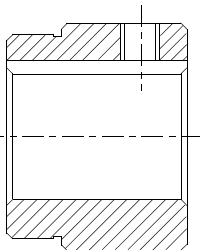
SPLIT STEEL WELDAPULLEYS NOVA IMPORT



Pulleys

NOVA SPLIT STEEL WELDAPULLEYS

Fit G&G standard WELDA-
HUBS® and NOVA
WELDAHUBS® found on Pages
37 & 38, and 39



NOTE: See page 36 for suggested
welding instructions.
See page 53 if you would like them
furnished factory welded.

AB COMBINATION SPLIT STEEL

(Fits either A or B V-Belts)
(Fits either A or B V-Belts)

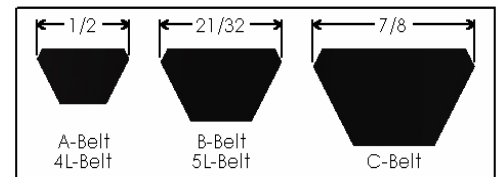
NOVA Import Stock No.	Outside Dia.	Hub Series	Wt. Lbs.
007200355	3-1/2	W	.31
007200405	4	W	.44
007200455	4-1/2	W	.57
007200505	5	W	.73
007200555	5-1/2	W	.95
007200605	6	W	1.37
007200655	6-1/2	W	1.48
007200705	7	W	1.65
007200805	8	W	1.87
007200905	9	W	2.60
007201005	10	W	3.35
007201105	11	W	4.23
007201205	12	W	4.98
007201405	14	W	6.39
007201605	16	W	8.64

C BELT SPLIT STEEL

(Fits C V-Belts)

Stock No.	Outside Dia.	Hub Series	Wt. Lbs.
007400605	6	X	1.88
007400805	8	X	3.25
007401005	10	X	5.13
007401205	12	X	7.44

BELT DIMENSIONS



NOVA SPLIT STEEL WELDAPULLEYS® are designed for applications under 15 hp.

MADE TO ORDER PULLEYS WITH HUB



OMAHA, NEBRASKA
(402) 453-9595
1-800-442-6009
FAX (402) 453-1740

Pulleys shown on pages 51 & 52 can be ordered as illustrated.

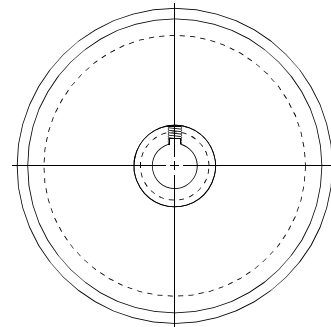
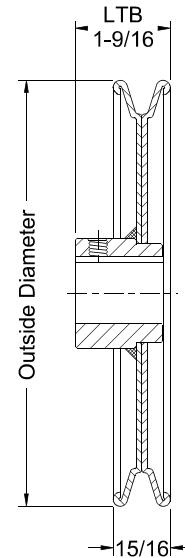
SINGLE GROOVE PRICED BY QUOTATION

OA COMBINATION

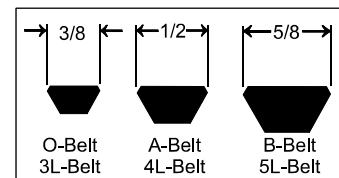
Outside Dia.	Pitch Dia. O/3L-Belt	Pitch Dia. A/4L-Belt
4	3.53	3.90
4-1/2	4.03	4.40
5	4.53	4.90
5-1/2	5.03	5.40
6	5.57	5.90
6-1/2	6.07	6.40
7	6.57	6.90
8	7.57	7.90
9	8.57	8.90
10	9.57	9.90
11	10.57	10.90
12	11.57	11.90
14	13.57	13.90
16	15.57	15.90

AB COMBINATION

Outside Dia.	Pitch Dia. A/4L-Belt	Pitch Dia. B/5L-Belt
4	3.41	3.84
4-1/2	3.91	4.34
5	4.44	4.84
5-1/2	4.94	5.34
6	5.45	5.84
6-1/2	5.94	6.34
7	6.44	6.84
8	7.49	7.84
9	8.49	8.84
10	9.49	9.84
11	10.49	10.84
12	11.49	11.84
14	13.49	12.84
16	15.49	15.84



BELT DIMENSIONS



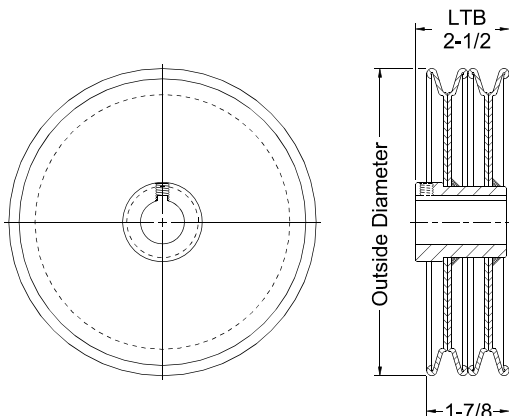
Non Stock Pressed Steel Pulleys are available in plain or painted finish. All W Series Hub standard bore sizes are available in round, square, hex, & spline bores. Round bore sizes are in 1/16" increments, with standard keyway and setscrew. Other bore sizes and styles available by quotation.

SEND YOUR INQUIRIES

Made to Order Pressed Steel Pulleys are designed for fractional HP applications only.

DOUBLE GROOVE

25 PIECE MINIMUM - PRICED BY QUOTATION



Most single groove Pressed Steel Pulleys are also available in a double groove. The double groove pulleys are made with a special hub in a welded construction.

SEND YOUR INQUIRIES

**DOUBLE PULLEY HUBS
found on page 38.**

Pulleys



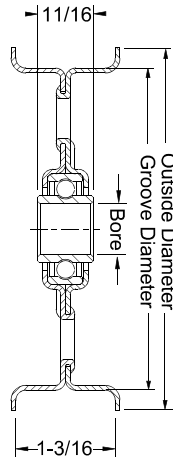
OMAHA, NEBRASKA
 (402) 453-9595
 1-800-442-6009
 FAX (402) 453-1740

IDLER PULLEYS

WITH EXTENDED INNER RACE
 PRECISION BEARINGS

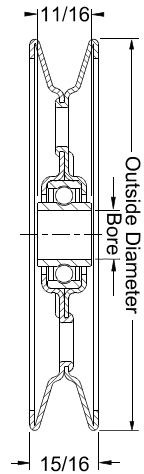
FLAT BELT PRESSED STEEL

Stock No.	Groove Dia.	Outside Dia.	Bore Size	Wt. Lbs.
011-4408	2-3/4	3-1/4	1/2	.50
011-4410	2-3/4	3-1/4	5/8	.50
011-6408	4	4-1/2	1/2	.94
011-6410	4	4-1/2	5/8	.94



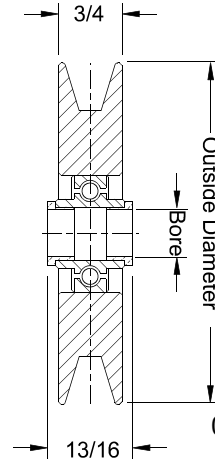
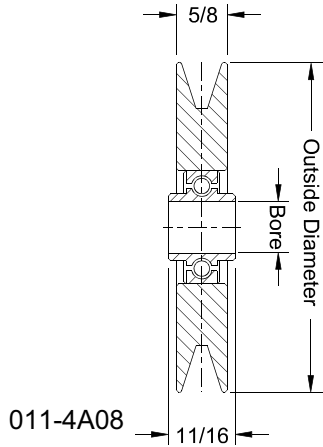
V-BELT PRESSED STEEL

Stock No.	Outside Dia.	Bore Size	Fits Belt	Wt. Lb.
011-8008	5	1/2	A or B	.88
011-8010	5	5/8	A or B	.88



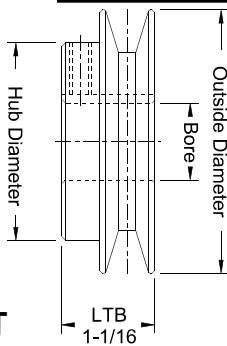
V-BELT SOLID STEEL

Stock No.	Outside Dia.	Bore Size	Fits Belt	Wt. Lbs.
011-4A08	4	1/2	A	1.83
011-4B08	4	1/2	B	1.95

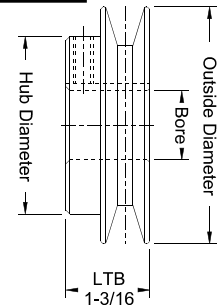


011-4B08

SOLID STEEL PULLEYS



TYPE B - WITH HUB



A-BELT

Stock No.	Outside Dia.	Bore Size	Hub Dia.	Wt. Lbs.
037-3208	2	1/2	1-3/4	.56
037-3210	2	5/8	1-3/4	.50
037-3212	2	3/4	1-3/4	.50
037-4010	2-1/2	5/8	1-3/4	.75
037-4012	2-1/2	3/4	1-3/4	.70
037-4810	3	5/8	2-1/4	1.19
037-4812	3	3/4	2-1/4	1.19
037-4814	3	7/8	2-1/4	1.63
037-4816	3	1	2-1/4	1.13
037-6410	4	5/8	2-1/2	2.19
037-6412	4	3/4	2-1/2	2.13
037-6414	4	7/8	2-1/2	2.13
037-6416	4	1	2-1/2	2.00

Solid Steel Pulleys are furnished with standard keyway and setscrew.

B-BELT

Stock No.	Outside Dia.	Bore Size	Hub Dia.	Wt. Lbs.
038-4008	2-1/2	1/2	1-3/4	.80
038-4010	2-1/2	5/8	1-3/4	.75
038-4012	2-1/2	3/4	1-3/4	.69
038-4810	3	5/8	2-1/4	1.25
038-4812	3	3/4	2-1/4	1.19
038-4814	3	7/8	2-1/4	1.13
038-4816	3	1	2-1/4	1.13
038-5610	3-1/2	5/8	2-1/2	1.83
038-5612	3-1/2	3/4	2-1/2	1.75
038-5616	3-1/2	1	2-1/2	1.63
038-6410	4	5/8	2-1/2	2.13
038-6412	4	3/4	2-1/2	2.25
038-6414	4	7/8	2-1/2	2.25
038-6416	4	1	2-1/2	2.19
038-6420	4	1-1/4	2-1/2	2.06

Manufactured in the USA by G&G Manufacturing Co.

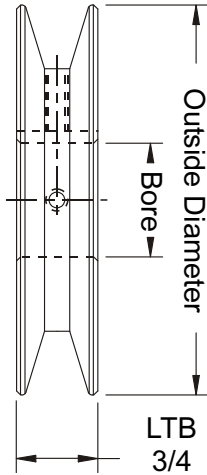
SOLID STEEL PULLEYS

NOVA IMPORT

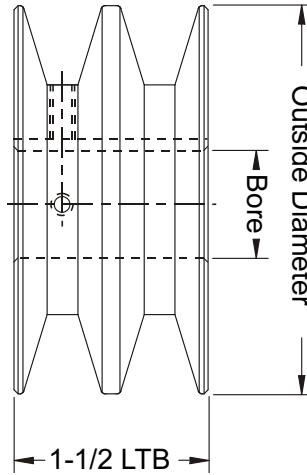


OMAHA, NEBRASKA
(402) 453-9595
1-800-442-6009
FAX (402) 453-1740

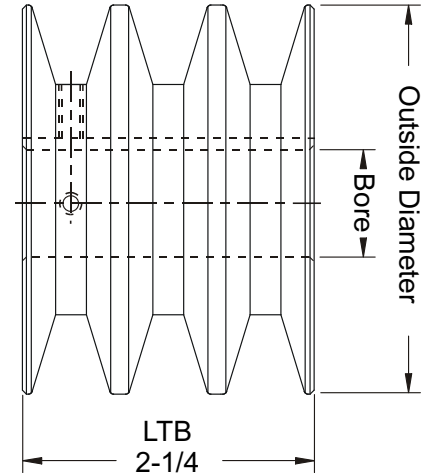
Solid Steel AB Belt Type A Pulleys are furnished
With standard keyway and (2) setscrews.



SINGLE GROOVE



DOUBLE GROOVE



TRIPLE GROOVE

SINGLE GROOVE PULLEYS

WITH KEYWAY & (2) SET SCREWS

NOVA Import Stock No.	Outside Dia.	Bore Size	Wt. Lbs.	NOVA Import Stock No.	Outside Dia.	Bore Size	Wt. Lbs.
041-4008	2-1/2	1/2	.55	041-5610	3-1/2	5/8	1.25
041-4010	2-1/2	5/8	.50	041-5612	3-1/2	3/4	1.25
041-4012*	2-1/2	3/4	.50	041-5614	3-1/2	7/8	1.20
041-4016*	2-1/2	1	.40	041-5616	3-1/2	1	1.15
041-4408	2-3/4	1/2	.70	041-5618	3-1/2	1-1/8	1.15
041-4410	2-3/4	5/8	.65	041-6008	3-3/4	1/2	1.55
041-4412	2-3/4	3/4	.65	041-6010	3-3/4	5/8	1.50
041-4414	2-3/4	7/8	.60	041-6012	3-3/4	3/4	1.50
041-4416*	2-3/4	1	.55	041-6014	3-3/4	7/8	1.45
041-4418*	2-3/4	1-1/8	.50	041-6016	3-3/4	1	1.40
041-4808	3	1/2	.90	041-6018	3-3/4	1-1/8	1.35
041-4810	3	5/8	.85	041-6408	4	1/2	1.80
041-4812	3	3/4	.80	041-6410	4	5/8	1.80
041-4814	3	7/8	.80	041-6412	4	3/4	1.75
041-4816	3	1	.75	041-6414	4	7/8	1.70
041-4818	3	1-1/8	.70	041-6416	4	1	1.65
041-5208	3-1/4	1/2	1.30	041-6418	4	1-1/8	1.60
041-5210	3-1/4	5/8	1.05	041-6814	4-1/4	7/8	2.00
041-5212	3-1/4	3/4	1.00	041-6816	4-1/4	1	1.95
041-5214	3-1/4	7/8	1.00	041-6818	4-1/4	1-1/8	1.90
041-5216	3-1/4	1	.95				
041-5218	3-1/4	1-1/8	.90	041-7216	4-1/2	1	2.25
041-5608	3-1/2	1/2	1.30	041-7218	4-1/2	1-1/8	2.25

DOUBLE GROOVE PULLEYS

WITH KEYWAY & (2) SET SCREWS

NOVA Import Stock No.	Outside Dia.	Bore Size	Wt. Lbs.
042-4810	3	5/8	1.75
042-4814	3	7/8	1.55
042-4818	3	1-1/8	1.40
042-4822*	3	1-3/8	1.15
042-5218	3-1/4	1-1/8	1.80
042-5222*	3-1/4	1-3/8	1.60
042-5618	3-1/2	1-1/8	2.25
042-5622	3-1/2	1-3/8	2.05

TRIPLE GROOVE PULLEYS

WITH KEYWAY & (2) SET SCREWS

NOVA Import Stock No.	Outside Dia.	Bore Size	Wt. Lbs.
043-4818	3	1-1/8	2.10
043-4822*	3	1-3/8	2.10
043-5222*	3-1/4	1-3/8	2.35
043-5618	3-1/2	1-1/8	3.40
043-5622	3-1/2	1-3/8	3.05

* Set Screws are @ 90° & 180° to Keyway

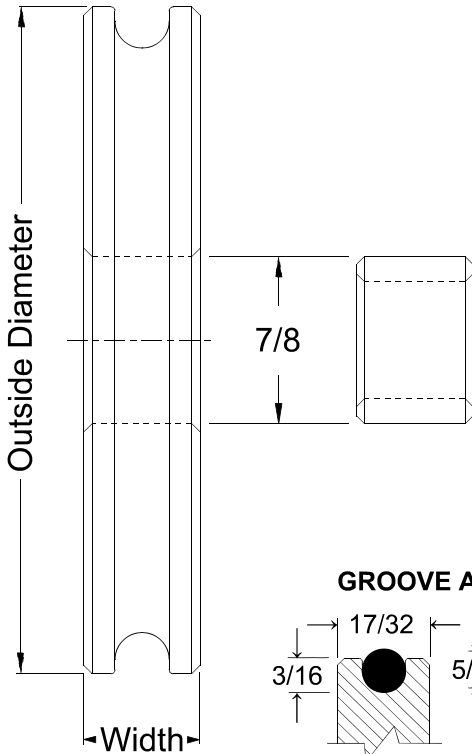
Pulleys



OMAHA, NEBRASKA
 (402) 453-9595
 1-800-442-6009
 FAX (402) 453-1740

WIRE ROPE PULLEYS

2" to 4" Outside Diameter Low Carbon Steel



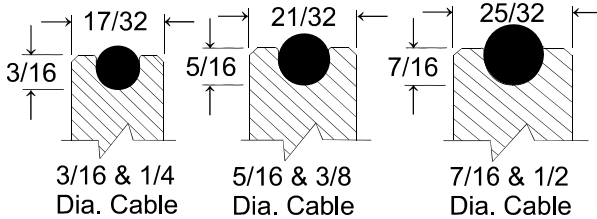
2" to 4" Wire Rope Pulleys are furnished with a 7/8" stock bore to receive a press fit on the 7/8" outside diameter powdered metal bushing sizes. Pulleys and bushings should be ordered separately by stock number.

Stock No.	Outside Dia.	Width	Wt. Lbs.
150-3217	2	17/32	.32
150-3221	2	21/32	.32
150-3225	2	25/32	.25
150-4017	2-1/2	17/32	.56
150-4021	2-1/2	21/32	.63
150-4025	2-1/2	25/32	.63
150-4817	3	17/32	.88
150-4821	3	21/32	.94
150-4825	3	25/32	.94
150-5617	3-1/2	17/32	1.25
150-5621	3-1/2	21/32	1.32
150-5625	3-1/2	25/32	1.50
150-6417	4	17/32	1.69
150-6421	4	21/32	1.80
150-6425	4	25/32	2.00

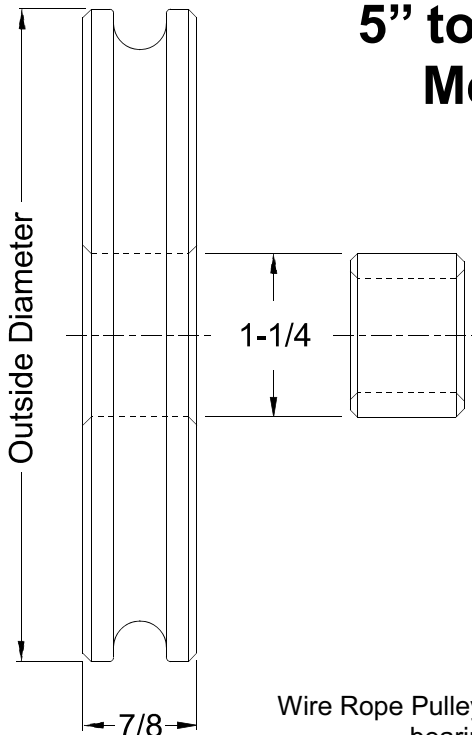
Powdered Metal Bushings

Stock No.	Outside Dia.	Inside Dia.	Width	Wt. Lbs.
151-0817	7/8	1/2	17/32	.06
151-1017	7/8	5/8	17/32	.05
151-1217	7/8	3/4	17/32	.02
151-0821	7/8	1/2	21/32	.05
151-1021	7/8	5/8	21/32	.04
151-1221	7/8	3/4	21/32	.03
151-0825	7/8	1/2	25/32	.07
151-1025	7/8	5/8	25/32	.05
151-1225	7/8	3/4	25/32	.03

GROOVE AND CABLE SPECIFICATIONS



5" to 10" Outside Diameter Medium Carbon Steel



5" to 10" Wire Rope Pulleys are furnished with a 1-1/4" stock bore to receive a press fit on the 1-1/4" outside diameter powdered metal bushing sizes. Pulleys and bushings should be ordered separately by stock number.

Stock No.	Outside Dia.	Cable Size	Wt. Lbs.
150-8006	5	5/16 & 3/8	3.94
150-8008	5	7/16 & 1/2	3.56
150-9606	6	5/16 & 3/8	6.00
150-9608	6	7/16 & 1/2	5.63
15011208	7	7/16 & 1/2	7.50
15012808	8	7/16 & 1/2	10.50
15014408	9	7/16 & 1/2	13.00
15016008	10	7/16 & 1/2	16.50

Powdered Metal Bushings

Stock No.	Outside Dia.	Inside Dia.	Width	Wt. Lbs.
151-1214	1-1/4	3/4	7/8	.15
151-1414	1-1/4	7/8	7/8	.13
151-1614	1-1/4	1	7/8	.08
151-1814	1-1/4	1-1/8	7/8	.04

Wire Rope Pulleys produced from other materials with special bores sizes, or with bushings or bearings installed are available by quotation. SEND YOUR INQUIRIES

POWDERED METAL BUSHING LOAD RATINGS



OMAHA, NEBRASKA
(402) 453-9595
1-800-442-6009
FAX (402) 453-1740

SAE 862/863	Working Load (Lb.)	Static RPM (0)	Working Load (Lb.)	@ RPM	Working Load (Lb.)	@ RPM	Working Load (Lb.)	@ RPM	Working Load (Lb.)	@ RPM	Working Load (Lb.)	@ RPM
POWDERED METAL BUSHING PART NO.												
151-0817	5006	0	2670	190	1001	763	233	1145	133	1527	100	1527
151-1017	6258	0	3337	152	1251	611	292	916	166	1222	125	1222
151-1217	7510	0	4005	127	1502	509	350	763	200	1018	150	1018
151-0821	6185	0	3298	190	1237	763	288	1145	164	1527	123	1527
151-1021	7731	0	4123	152	1546	611	360	916	206	1222	154	1222
151-1221	9277	0	4948	127	1855	509	432	763	247	101/8	185	1018
151-0825	7363	0	3926	190	1472	763	343	1145	196	1527	147	1527
151-1025	9203	0	4908	152	1840	611	429	916	245	1222	184	1222
151-1225	11044	0	5890	127	2208	509	515	763	294	1018	220	1018
151-1214	12370	0	6597	127	2474	509	577	763	329	1018	247	1018
151-1414	14431	0	7696	109	2886	436	673	654	385	873	288	873
151-1614	16493	0	8796	95	3298	381	769	572	439	763	329	763
151-1814	18555	0	9896	84	3711	339	865	509	494	679	371	679

SAE J471d Standard used to figure these numbers					
PART NO.	I.D.	LENGTH	PART NO.	I.D.	LENGTH
151-0817	0.500	0.5313	151-1025	0.625	0.7813
151-1017	0.625	0.5313	151-1225	0.750	0.7813
151-1217	0.750	0.5313	151-1214	0.750	0.8750
151-0821	0.500	0.6563	151-1414	0.875	0.8750
151-1021	0.625	0.6563	151-1614	1.000	0.8750
151-1221	0.750	0.6563	151-1814	1.125	0.8750
151-0825	0.500	0.7813			

02211E08 RPM Load (Lbs)	1-3/8 OD x 1/2 ID x 11/16 Extended Race Bearing for #35, #40, #50 and #60 Idlers					.10
	100	300	500	750	1000	
	696	613	530	427	323	
02211E10 RPM Load (Lbs)	1-3/8 OD x 5/8 ID x 11/16 Extended Race Bearing for #35, #40, #50 and #60 Idlers					.12
	100	300	500	750	1000	
	696	613	530	427	323	
03209012 RPM Load (Lbs)	2 OD x 3/4 ID x 9/16 Wide Bearing for #80 Idlers					.32
	100	300	500	750	1000	
	1565	1565	1565	1565	1565	
04011016 RPM Load (Lbs)	2-9/16 OD x 1 ID x 11/16 Wide Bearing for #100 Idlers					.34
	100	300	500	750	1000	
	2616	2616	2616	2616	2616	



OMAHA, NEBRASKA
 (402) 453-9595
 1-800-442-6009
 FAX (402) 453-1740

CAST ALUMINUM PULLEYS NON STOCK

**PRICED BY QUOTATION
25 PIECE MINIMUM**

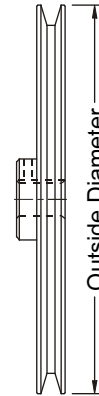
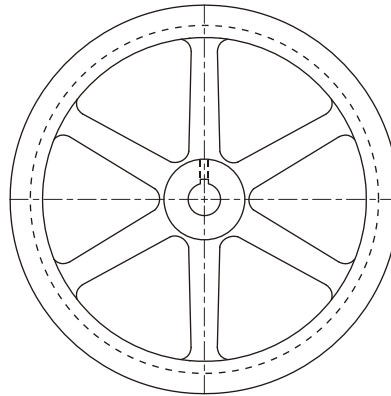
Cast Aluminum Pulleys are available in bore sizes ranging from 5/8" to 1-1/2", in 1/16" increments. They are furnished with standard keyway and two (2) set screws.

- ❖ Standard Delivery on any Cast Aluminum Pulley is four (4) to six (6) weeks.
- ❖ F.O.B. shipping point.
- ❖ Shipping containers may be invoiced with pulleys.
- ❖ Special machining and sizes not shown are available by quotation.

A-Belt and B-Belt

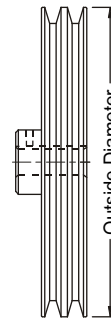
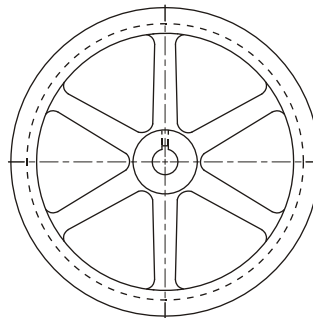
Single Groove

Outside Diameter
12"
14"



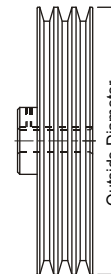
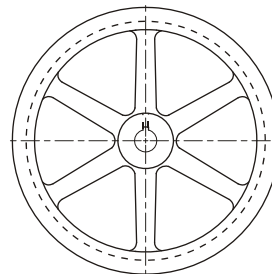
Double Groove

Outside Diameter
5.5"
6"
7.85"
9"
10"
11.75"
12"
12.7"
14"
15"
16"
18"



Triple Groove

Outside Diameter
10"
12"
14"
15"
16"



Pulleys

SECTION INDEX



OMAHA, NEBRASKA
(402) 453-9595
1-800-442-6009
FAX (402) 453-1740

Coneflex Couplings	60-61
Coupler Hubs	67
Coupler Sprockets	64-66
Delrin Coupling Chain	67
Double Roller Chain Coupler Sprockets	
Coupling Halves-Bored to Size	65
Coupling Chain	66
Coupling Halves-Stock Bore	66
In-Line Shear Clutches	70
Jaw Clutches	68
2-1/2" Jaw Clutches	68
3" Jaw Clutches	68
L-Jaw Couplers	62
L-Jaw Coupler Buna-n Spider Inserts	63
Roller Chain Flexible Coupler Sprockets	64
SC-X 4" Ratchet Slip Clutches	69
Set Collars	59
Shaft Couplers USA / NOVA Import	59
Shear Sprockets	69
Torque Limiter Clutches	70

WWW.GGMFG.COM

Toll Free
(800) 442-6009



CATALOG
2017 - v1

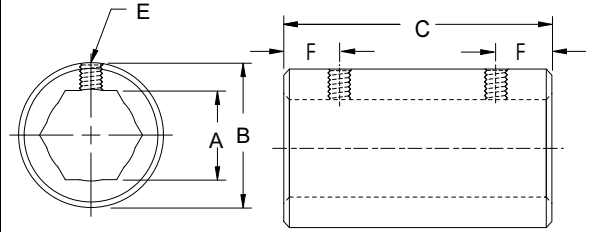
**UPC Bar Coding is available on stock items
upon customer request.**

SHAFT COUPLERS

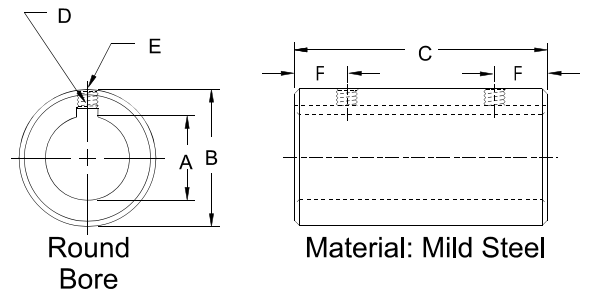


OMAHA, NEBRASKA
(402) 453-9595
1-800-442-6009
FAX (402) 453-1740

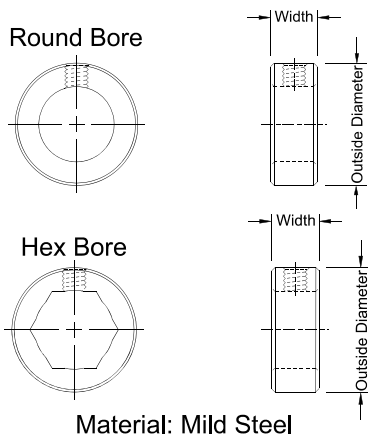
USA Stock No.	NOVA Import Stock No.	A	B	C	D	E	F	Wt. Lbs.
126-1000	126-10005	5/8 HEX	1-1/2	2-1/2	NONE	(2) 1/4 X 20	5/8	.51
126-1200	126-12005	3/4 HEX	1-5/8	3	NONE	(2) 1/4 X 20	5/8	.93
126-1400	126-14005	7/8 HEX	1-3/4	3	NONE	(2) 1/4 X 20	5/8	1.32
126-1600	126-16005	1 HEX	1-3/4	3	NONE	(2) 5/16 X 18	5/8	1.38
126-1800	126-18005	1-1/8 HEX	2	4-1/2	NONE	(2) 5/16 X 18	1	2.69
126-2000	126-20005	1-1/4 HEX	2-1/8	4-1/2	NONE	(2) 5/16 X 18	1	2.88
126-2400	126-24005	1-1/2 HEX	3	4-1/2	NONE	(2) 5/16 X 18	1-1/8	5.00
126-2800	126-28005	1-3/4 HEX	3	4-1/2	NONE	(2) 5/16 X 18	1-1/8	5.55



USA Stock No.	NOVA Import Stock No.	A	B	C	D	E	F	Wt. Lbs.
127-0800	127-08005	1/2 RD	1-1/4	2	1/8	(2) 1/4 X 20	1/2	.56
127-1000	127-10005	5/8 RD	1-1/2	2-1/2	3/16	(2) 1/4 X 20	5/8	1.00
127-1200	127-12005	3/4 RD	1-5/8	3	3/16	(2) 1/4 X 20	5/8	1.38
127-1400	127-14005	7/8 RD	1-3/4	3	3/16	(2) 1/4 X 20	3/4	1.75
127-1600	127-16005	1 RD	1-5/8	3	1/4	(2) 5/16 X 18	5/8	1.06
127-1604	127-16045	1 RD	1-3/4	4	1/4	(2) 5/16 X 18	7/8	1.94
127-1800	127-18005	1-1/8 RD	2	4-1/2	1/4	(2) 5/16 X 18	7/8	2.69
127-1900	127-19005	1-3/16 RD	2	4-1/2	1/4	(2) 5/16 X 18	7/8	2.50
127-2000	127-20005	1-1/4 RD	2-1/8	4-1/2	1/4	(2) 5/16 X 18	1	2.88
127-2005	127-20055	1-1/4 RD	2-1/8	4-1/2	5/16	(2) 5/16 X 18	1	2.80
127-2200	127-22005	1-3/8 RD	2-5/16	4-1/2	5/16	(2) 3/8 X 16	1	3.38
127-2300	127-23005	1-7/16 RD	2-5/16	4-1/2	3/8	(2) 3/8 X 16	1	3.19
127-2400	127-24005	1-1/2 RD	2-1/2	4-1/2	3/8	(2) 3/8 X 16	1	3.88
127-2600	127-26005	1-5/8 RD	3	4-1/2	3/8	(2) 3/8 X 16	1	4.13
127-2800	127-28005	1-3/4 RD	3	4-1/2	3/8	(2) 3/8 X 16	1	4.38
127-3100	127-31005	1-15/16 RD	3-5/16	4-1/2	1/2	(2) 1/2 X 13	1	7.00
127-3200	127-32005	2 RD	3-5/16	4-1/2	1/2	(2) 1/2 X 13	1	6.83



SET COLLARS



Material: Mild Steel

USA Stock No.	Bore	Outside Dia.	Width	Setscrew Size	Wt. Lbs.
152H1000	5/8 HEX	1-1/2	9/16	5/16 x 18	.11
152H1200	3/4 HEX	1-5/8	5/8	5/16 x 18	.19
152H1400	7/8 HEX	1-3/4	5/8	5/16 x 18	.28
152H1600	1 HEX	1-3/4	5/8	5/16 x 18	.29
152H1800	1-1/8 HEX	2	5/8	5/16 x 18	.52
152H2000	1-1/4 HEX	2-1/8	11/16	3/8 x 16	.76

Manufactured in the USA by G&G Manufacturing Co.

NOVA IMPORT SET COLLARS

NOVA Import Stock No.	Bore	Outside Dia.	Width	Setscrew Size	Wt. Lbs.
152-04005	1/4 RD	1/2	5/16	10-32	.01
152-05005	5/16 RD	5/8	5/16	10-32	.02
152-06005	3/8 RD	3/4	3/8	1/4 x 20	.03
152-07005	7/16 RD	7/8	7/16	1/4 x 20	.05
152-08005	1/2 RD	1	7/16	1/4 x 20	.06
152-09005	9/16 RD	1	7/16	1/4 x 20	.13
152-10005	5/8 RD	1-1/8	1/2	5/16 x 18	.13
152-11005	11/16 RD	1-1/4	9/16	5/16 x 18	.19
152-12005	3/4 RD	1-1/4	9/16	5/16 x 18	.13
152-13005	13/16 RD	1-5/16	9/16	5/16 x 18	.19
152-14005	7/8 RD	1-1/2	9/16	5/16 x 18	.19
152-15005	15/16 RD	1-5/8	9/16	5/16 x 18	.19
152-16005	1 RD	1-5/8	5/8	5/16 x 18	.19
152-17005	1-1/16 RD	1-3/4	5/8	5/16 x 18	.25
152-18005	1-1/8 RD	1-3/4	5/8	5/16 x 18	.25
152-19005	1-3/16 RD	2	11/16	3/8 x 16	.38
152-20005	1-1/4 RD	2	11/16	3/8 x 16	.32
152-21005	1-5/16 RD	2-1/8	11/16	3/8 x 16	.38
152-22005	1-3/8 RD	2-1/8	3/4	3/8 x 16	.38
152-23005	1-7/16 RD	2-1/4	3/4	3/8 x 16	.44
152-24005	1-1/2 RD	2-1/4	3/4	3/8 x 16	.44
152-26005	1-5/8 RD	2-1/2	13/16	3/8 x 16	.56
152-28005	1-3/4 RD	2-3/4	7/8	1/2 x 13	.69
152-30005	1-7/8 RD	2-3/4	7/8	1/2 x 13	.63
152-31005	1-15/16 RD	3	7/8	1/2 x 13	.83
152-32005	2 RD	3	7/8	1/2 x 13	.75

Couplers and Clutches



OMAHA, NEBRASKA
 (402) 453-9595
 1-800-442-6009
 FAX (402) 453-1740

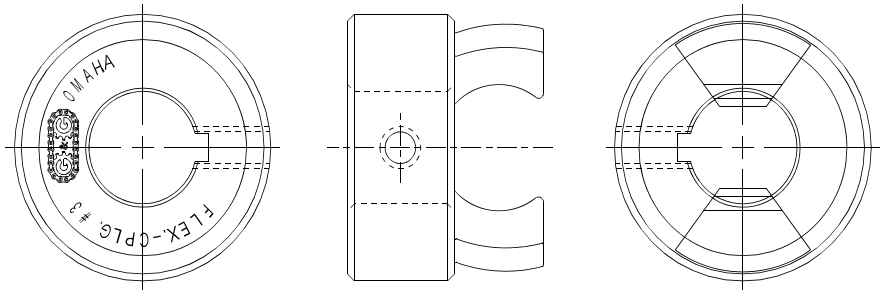
CONFLEX COUPLINGS

- Conflex Couplings have a unique conical design principle which provides maximum bearing area and more evenly distributed loads when operating in misaligned conditions.
- Pressure surfaces of jaws are accurately die cast to form a cone segment.
- Coupling jaws and inserts maintain their relative position even under misaligned conditions. This allows uniform compression that results in longer life.
- Oil resistant high grade synthetic rubber inserts have similar pressure surfaces that conform to the die cast jaws. This provides an equalized and cushioned transfer of power.
- Coupling halves are manufactured from high tensile zinc so rust problems are eliminated.

Coupling Halves

All Conflex Coupling Halves are furnished with standard keyways and setscrews. Non standard Bore Sizes and keyways are available upon request. Couplings No. 1, No. 2, & No. 4 are available by Quotation.

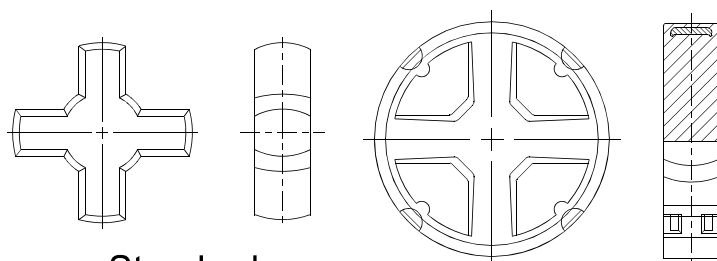
Stock No.	Coupling No.	Bore Size	Wt. Lbs.
233-0308	3	1/2	1.04
233-0309	3	9/16	1.03
233-0310	3	5/8	1.02
233-0311	3	11/16	1.01
233-0312	3	3/4	1.00
233-0314	3	7/8	.97
233-0315	3	15/16	.95
233-0316	3	1	.93
233-0318	3	1-1/8	.83



Manufactured in the USA by G&G Manufacturing Co.

Coupling Inserts

Stock No.	Coupling No.	Insert Type	Wt. Lbs.
234-0200	2	Standard	.02
234-0300	3	Standard	.07
234-0400	4	Standard	.14
234-H100	1R	Heavy Duty	.03
234-H200	2R	Heavy Duty	.08
234-H300	3R	Heavy Duty	.20



Standard

Heavy Duty

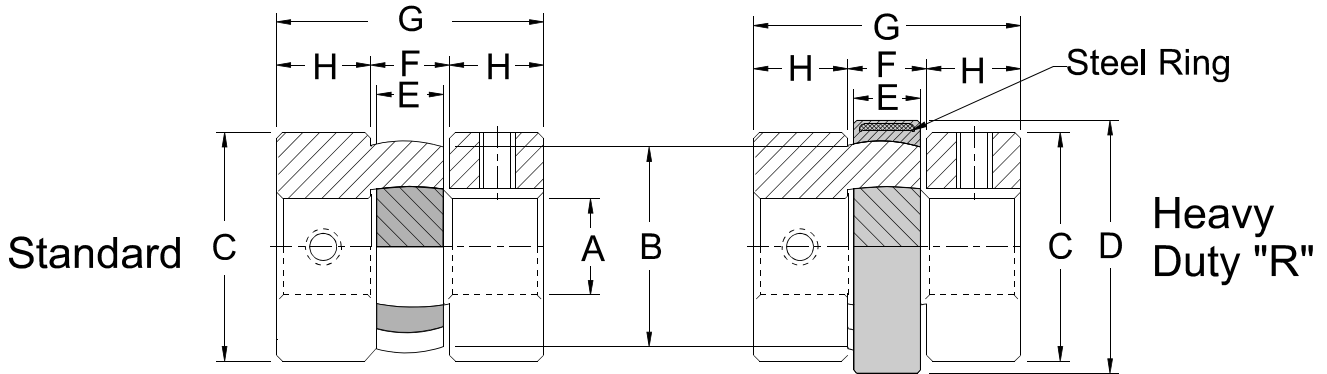
For ease of installation,
 wet insert with water.

CONFLEX COUPLINGS



OMAHA, NEBRASKA
(402) 453-9595
1-800-442-6009
FAX (402) 453-1740

Complete Coupling Dimensions



Coupling No.	A Max.	B	C	D	E	F*	G	H
1	5/8	1-1/16	1.13	-	3/8	7/16	1-9/16	9/16
1R	5/8	1-1/16	1.13	1-7/16	3/8	7/16	1-9/16	9/16
2	7/8	1-5/8	1.75	-	1/2	9/16	2	23/32
2R	7/8	1-5/8	1.75	2-1/16	1/2	9/16	2	23/32
3	1-1/8	2-1/4	2.35	-	3/4	7/8	2-7/8	1
3R	1-1/8	2-1/4	2.35	2-3/4	3/4	7/8	2-7/8	1
4	1-5/8	2-15/16	3.00	-	7/8	1-1/16	3-9/16	1-1/4
4R	1-5/8	2-15/16	3.00	3-1/2	7/8	1-1/16	3-9/16	1-1/4

*Recommended distance between shaft ends.

Application Ratings

Coupling No.	100 RPM	870 RPM	1150 RPM	1750 RPM	3500 RPM
1	.04	.36	.48	.73	1.46
1 R	.06	.49	.64	.98	1.96
2	.13	1.16	1.54	2.34	4.68
2 R	.18	1.61	2.13	3.24	6.48
3	.42	3.70	4.89	7.45	14.90
3 R	.64	5.62	7.42	11.30	22.60
4	1.11	9.64	12.75	19.40	38.83
4 R	1.39	12.13	16.03	24.40	48.82

For extreme operating conditions, other insert materials may be required.

To Select the correct Coneflex coupling:

- Determine the horsepower rating of the supplying motor or engine and its maximum rpm.
- Determine the applications service factor number from the Service Factor Chart.
- Multiply the supplied horsepower by the service factor number. The result is the application rating number.
- From the Applications Ratings Chart, select the coupling that has a higher rating number than that calculated in step 3 above, at the specified rpm.

Service Factors

Uniform Service Factor 1.0 = Uniform Service

Service Class	Electric Motor and Turbine	Internal Combustion Engines					
				6 or More Cylinders		Less Than 6 Cylinders	
		10 Hours	24 Hours	10 Hours	24 Hours	10 Hours	24 Hours
U Uniform	1	1.5	1.5	2	2	2.5	
M Moderate	1.5	2	2	2.5	2.5	3	
H Heavy Shock	2	2.5	2.5	3	3	3.5	

Service Factors listed are intended only as a general guide.



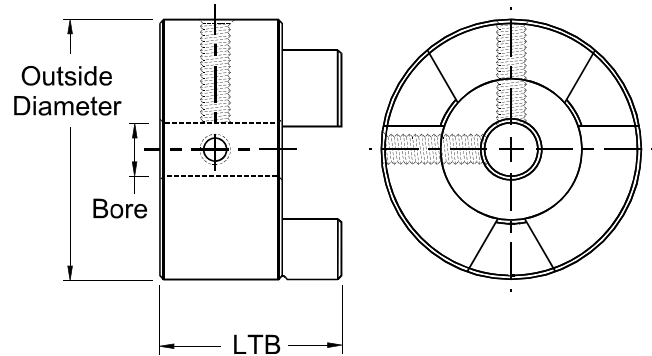
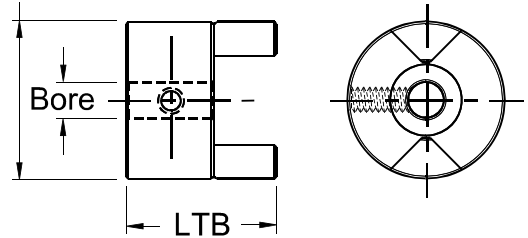
OMAHA, NEBRASKA
 (402) 453-9595
 1-800-442-6009
 FAX (402) 453-1740

TYPE L JAW COUPLINGS

NOVA IMPORT

NOVA Import Stock No.	Coupling No.	No. of Jaws	Bore Size	Outside Dia.	LTB	Wt. Lbs.
L050MPB5	L050	2	1/4	1-7/64	1-1/16	.13
L05014NK5	L050	2	1/4	1-7/64	1-1/16	.13
L05038NK5	L050	2	3/8	1-7/64	1-1/16	.12
L0507165	L050	2	7/16	1-7/64	1-1/16	.11
L050125	L050	2	1/2	1-7/64	1-1/16	.11
L050585	L050	2	5/8	1-7/64	1-1/16	.10
L075MPB5	L075	3	1/4	1-3/4	1-9/32	.55
L0757165	L075	3	7/16	1-3/4	1-9/32	.54
L075125	L075	3	1/2	1-3/4	1-9/32	.53
L075585	L075	3	5/8	1-3/4	1-9/32	.51
L075345	L075	3	3/4	1-3/4	1-9/32	.47
L075785	L075	3	7/8	1-3/4	1-9/32	.45
L095MPB5	L095	3	1/4	2-1/8	1-1/2	.96
L0957165	L095	3	7/16	2-1/8	1-1/2	.94
L095125	L095	3	1/2	2-1/8	1-1/2	.93
L0959165	L095	3	9/16	2-1/8	1-1/2	.91
L095585	L095	3	5/8	2-1/8	1-1/2	.90
L095345	L095	3	3/4	2-1/8	1-1/2	.87
L095785	L095	3	7/8	2-1/8	1-1/2	.82
L09515165	L095	3	15/16	2-1/8	1-1/2	.81
L09515	L095	3	1	2-1/8	1-1/2	.79
L0951185	L095	3	1-1/8	2-1/8	1-1/2	.74
L100MPB5	L100	3	1/4	2-1/2	2-1/32	1.90
L100585	L100	3	5/8	2-1/2	2-1/32	1.85
L100345	L100	3	3/4	2-1/2	2-1/32	1.80
L100785	L100	3	7/8	2-1/2	2-1/32	1.73
L10015	L100	3	1	2-1/2	2-1/32	1.65
L1001185	L100	3	1-1/8	2-1/2	2-1/32	1.60
L1001145	L100	3	1-1/4	2-1/2	2-1/32	1.50
L1001385	L100	3	1-3/8	2-1/2	2-1/32	1.50
L1001125	L100	3	1-1/2	2-1/2	2-1/32	1.30
L110MPB5	L110	3	1/4	3-11/32	2-1/2	4.13
L110585	L110	3	5/8	3-11/32	2-1/2	4.05
L110345	L110	3	3/4	3-11/32	2-1/2	4.03
L110785	L110	3	7/8	3-11/32	2-1/2	3.95
L11015	L110	3	1	3-11/32	2-1/2	3.88
L1101185	L110	3	1-1/8	3-11/32	2-1/2	3.78
L1101145	L110	3	1-1/4	3-11/32	2-1/2	3.68
L1101385	L110	3	1-3/8	3-11/32	2-1/2	3.58
L1101125	L110	3	1-1/2	3-11/32	2-1/2	3.45
L1101585	L110	3	1-5/8	3-11/32	2-1/2	3.40

Outside Diameter



**BUNA-N SPIDER COUPLING INSERTS,
 L-JAW COUPLING RATING CHART &
 INTERCHANGEABILITY CHART
 ON PAGE 63.**

Assembled L Jaw sets includes two couplers and one spider insert
Designed to fit most log splitters

Nova Import Stock No.	Coupling No.	No. of Jaws	Shaft Sizes.	LTB	Wt. Lbs.
L07512345	L075	3	1/2 & 3/4	2-1/8	1.05
L075716345	L075	3	7/16 & 3/4	2-1/8	1.05

Couplers and Clutches

TYPE L JAW COUPLINGS

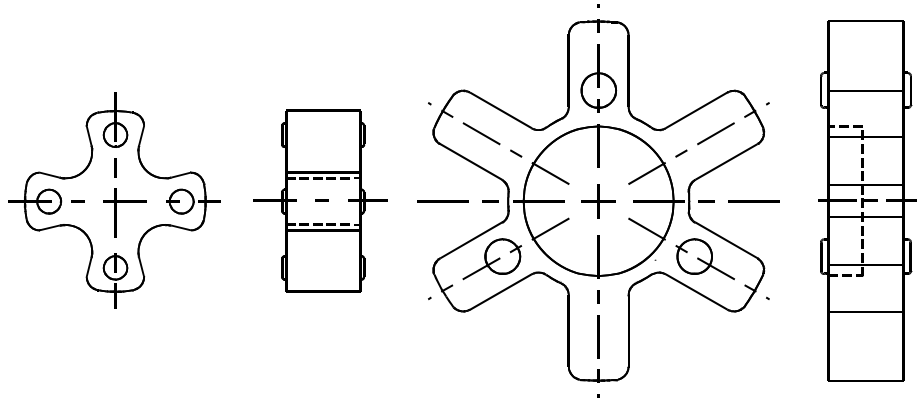
NOVA IMPORT



OMAHA, NEBRASKA
(402) 453-9595
1-800-442-6009
FAX (402) 453-1740

BUNA-N SPIDER COUPLING INSERTS

NOVA Import Stock No.	Coupling No.	Wt. Lbs.
L050N5	L050	.01
L075N5	L075	.03
L090N5	L090/095	.04
L099N5	L099/100	.07
L110N5	L110	.16



L-JAW COUPLING RATING

Coupling Number	Rated Torque Lbs. In.	Horsepower Capacity at Varying Speeds RPM)					Max. Bore
		100	300	1200	1800	3600	
L-035	3.16	0.0056	0.017	0.067	0.10	0.20	5/16
L-050	28.1	0.04	0.12	0.48	0.72	1.44	5/8
L-070	37.5	0.06	0.18	0.72	1.08	2.16	25/32
L-075	73	0.12	0.36	1.44	2.16	4.32	1-1/32
L-090	126	0.20	0.60	2.40	3.60	7.20	1-1/8
L-095	169	0.28	0.84	3.36	5.04	10.08	1-1/8
L-099	260	0.42	1.26	5.04	7.56	15.10	1-13/32
L-100	370	0.60	1.80	7.20	10.8	21.60	1-13/32
L-110	680	1.10	3.30	13.20	19.8	39.60	1-7/8
L-150	1080	1.70	5.10	20.40	30.60	61.20	1-7/8
L-190	1350	2.20	6.60	26.40	39.60	79.20	2-9/32
L-225	2000	3.30	9.90	39.60	59.40	118.80	2-3/8

Functionally and Dimensionally Interchangeable						
G&G MANUFACTURING	BROWNING®	LOVEJOY*	MARTIN*	JEFFREY*	MAUREY*	MORSE®
Type L	Brand Type L	Type L	Type ML	Type L	Type FC	Brand Type L
-	L035	L-035	ML 035	-	-	L035
L050	L050	L-050	ML 050	L-050	FC-050	L050
-	L070	L-070	ML 070	L-070	FC-070	L070
L075	-	-	-	-	-	-
-	L090	L-090	ML 090	L-090	FC-090	L090
L095	L095	L-095	ML 095	L-095	FC-095	L095
-	L099	L-099	ML 099	L-099	FC-099	L099
L100	L100	L-100	ML 100	L-100	FC-100	L100
L110	L110	L-110	ML 110	L-110	FC-110	L110
-	L150	L-150	ML 150	L-150	FC-150	L150
-	L190	L-190	ML 190	L-190	FC-190	L190
-	L225	L-225	ML 225	L-225	FC-225	L225

*This trade name, trademark and/or registered trademark is used herein for product comparison purposes only, is the property of its respective owner and is not owned or controlled by G&G Manufacturing Company. G&G Manufacturing Company does not represent or warrant the accuracy of this document.

Couplers and Clutches

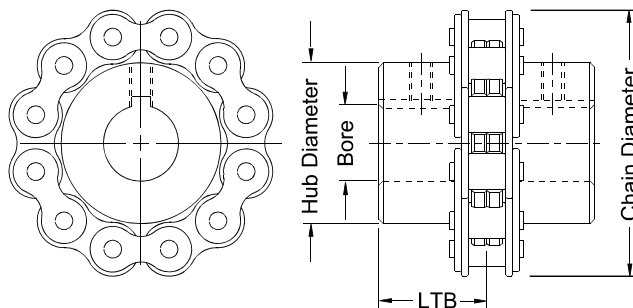


OMAHA, NEBRASKA
 (402) 453-9595
 1-800-442-6009
 FAX (402) 453-1740

ROLLER CHAIN FLEXIBLE COUPLER SPROCKETS

Coupler Sprocket Halves

Stock No.	Chain Size	No. of Teeth	Bore Size	Chain Dia.	Hub Dia.	LTB.	Wt. Lbs.
029-1000	50	10	5/8	2-19/32	1-9/16	1-1/8	.50
029-1200	50	10	3/4	2-19/32	1-9/16	1-1/8	.50
029-1400	50	10	7/8	2-19/32	1-9/16	1-1/8	.44
031-0000*	60	10	1/2	3-1/8	1-11/16	1-1/4	.80
031-1000	60	10	5/8	3-1/8	1-11/16	1-1/4	.83
031-1200	60	10	3/4	3-1/8	1-11/16	1-1/4	.75
031-1400	60	10	7/8	3-1/8	1-11/16	1-1/4	.69
031-1500	60	10	15/16	3-1/8	1-11/16	1-1/4	.69
031-1600	60	10	1	3-1/8	1-11/16	1-1/4	.63
031-1800	60	10	1-1/8	3-1/8	1-11/16	1-1/4	.56
032-0000*	60	12	1/2	3-9/16	2-1/8	1-7/16	1.45
032-1000	60	12	5/8	3-9/16	2-1/8	1-7/16	1.50
032-1200	60	12	3/4	3-9/16	2-1/8	1-7/16	1.44
032-1400	60	12	7/8	3-9/16	2-1/8	1-7/16	1.38
032-1500	60	12	15/16	3-9/16	2-1/8	1-7/16	1.32
032-1600	60	12	1	3-9/16	2-1/8	1-7/16	1.25
032-1700	60	12	1-1/16	3-9/16	2-1/8	1-7/16	1.25
032-1800	60	12	1-1/8	3-9/16	2-1/8	1-7/16	1.19
032-2000	60	12	1-1/4	3-9/16	2-1/8	1-7/16	1.13
032-2200	60	12	1-3/8	3-9/16	2-1/8	1-7/16	1.00
032-2300	60	12	1-7/16	3-9/16	2-1/8	1-7/16	.88
033-0000*	80	12	7/8	4-25/32	2-7/8	2	3.55
033-1600	80	12	1	4-25/32	2-7/8	2	3.44
033-1800	80	12	1-1/8	4-25/32	2-7/8	2	3.25
033-2000	80	12	1-1/4	4-25/32	2-7/8	2	3.13
033-2200	80	12	1-3/8	4-25/32	2-7/8	2	3.00
033-2400	80	12	1-1/2	4-25/32	2-7/8	2	2.88
033-2800	80	12	1-3/4	4-25/32	2-7/8	2	2.50



A complete Roller Chain Flexible Coupler consists of two coupler halves and one coupler chain. Coupler halves are furnished with keyway and setscrew. Order each half and chain separately by stock numbers.

Roller Chain Flexible Coupler Sprocket Halves are available in other bore sizes and styles, or with hardened teeth.

SEND YOUR INQUIRIES

* NO KEYWAY OR SET SCREW

Coupler Chain

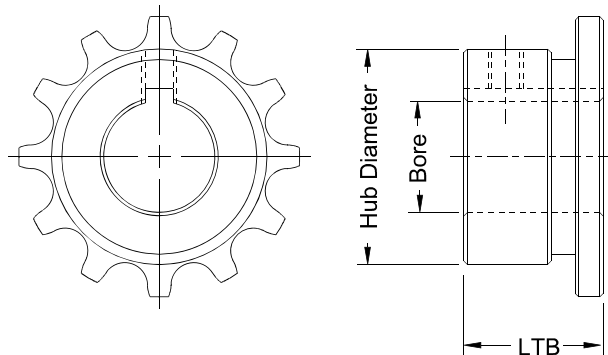
Stock No.	Chain Size	Fits No. of Teeth	Wt. Lbs.
030-1050	50	10	0.38
030-1060	60	10	0.56
030-1260	60	12	0.69
030-1280	80	12	1.63

Roller Chain Flexible Coupler Halves are designed to fit any standard single roller chain.

COUPLER SPROCKETS

These Coupler Sprockets are designed to fit Link-Belt #50 Coupler Chain.
 Link-Belt #50 Chain is not available from G&G Manufacturing Company.

Stock No.	Chain Size	No. of Teeth	Bore	Hub Dia.	LTB	Wt. Lbs.
025-1000	50	12	5/8	1-15/16	1-1/4	0.94
025-1200	50	12	3/4	1-15/16	1-1/4	0.88
025-1400	50	12	7/8	1-15/16	1-1/4	0.88
025-1600	50	12	1	1-15/16	1-1/4	0.69
025-1800	50	12	1-1/8	1-15/16	1-1/4	0.69
025-2000	50	12	1-1/4	1-15/16	1-1/4	0.63



Furnished with standard keyway and setscrew.

Manufactured in the USA by G&G Manufacturing Co.

Couplers and Clutches

DOUBLE ROLLER CHAIN COUPLER SPROCKETS NOVA IMPORT

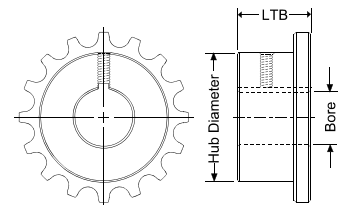
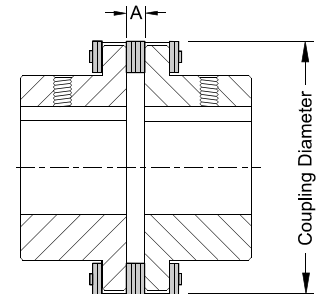


OMAHA, NEBRASKA
(402) 453-9595
1-800-442-6009
FAX (402) 453-1740

A complete Double Roller Chain Coupler Sprocket assembly consists of two coupler halves and one length of double roller chain. Each component is sold separately, and should be ordered by individual stock number.

Coupler Halves - Bored to Size

Chain Size	No. Teeth	NOVA Import Stock No.	Bore Size	Coup. Dia.	Outside Dia.	Hub Dia.	LTB	OA Length	A	Wt. Lbs.
40	12	094012105	5/8	2-13/32	2	1-13/32	1-1/8	2-17/32	9/32	.45
40	12	094012125	3/4	2-13/32	2	1-13/32	1-1/8	2-17/32	9/32	.40
40	16	094016105	5/8	3-1/32	2-5/8	1-31/32	1-1/8	2-17/32	9/32	.95
40	16	094016125	3/4	3-1/32	2-5/8	1-31/32	1-1/8	2-17/32	9/32	.90
40	16	094016145	7/8	3-1/32	2-5/8	1-31/32	1-1/8	2-17/32	9/32	.85
40	16	094016155	15/16	3-1/32	2-5/8	1-31/32	1-1/8	2-17/32	9/32	.85
40	16	094016165	1	3-1/32	2-5/8	1-31/32	1-1/8	2-17/32	9/32	.80
40	16	094016185	1-1/8	3-1/32	2-5/8	1-31/32	1-1/8	2-17/32	9/32	.75
40	16	094016205	1-1/4	3-1/32	2-5/8	1-31/32	1-1/8	2-17/32	9/32	.65
50	16	095016125	3/4	3-25/32	3-1/4	2-1/2	1-7/16	3-1/4	3/8	1.95
50	16	095016145	7/8	3-25/32	3-1/4	2-1/2	1-7/16	3-1/4	3/8	1.90
50	16	095016165	1	3-25/32	3-1/4	2-1/2	1-7/16	3-1/4	3/8	1.80
50	16	095016185	1-1/8	3-25/32	3-1/4	2-1/2	1-7/16	3-1/4	3/8	1.70
50	16	095016205	1-1/4	3-25/32	3-1/4	2-1/2	1-7/16	3-1/4	3/8	1.65
50	16	095016225	1-3/8	3-25/32	3-1/4	2-1/2	1-7/16	3-1/4	3/8	1.50
50	16	095016235	1-7/16	3-25/32	3-1/4	2-1/2	1-7/16	3-1/4	3/8	1.50
50	16	095016245	1-1/2	3-25/32	3-1/4	2-1/2	1-7/16	3-1/4	3/8	1.40
50	16	095016265	1-5/8	3-25/32	3-1/4	2-1/2	1-7/16	3-1/4	3/8	1.25
50	18	095018125	3/4	4-3/16	3-3/4	2-31/32	1-11/16	3-3/4	3/8	3.25
50	18	095018145	7/8	4-3/16	3-3/4	2-31/32	1-11/16	3-3/4	3/8	3.15
50	18	095018165	1	4-3/16	3-3/4	2-31/32	1-11/16	3-3/4	3/8	3.05
50	18	095018185	1-1/8	4-3/16	3-3/4	2-31/32	1-11/16	3-3/4	3/8	2.95
50	18	095018205	1-1/4	4-3/16	3-3/4	2-31/32	1-11/16	3-3/4	3/8	2.85
50	18	095018225	1-3/8	4-3/16	3-3/4	2-31/32	1-11/16	3-3/4	3/8	2.25
50	18	095018235	1-7/16	4-3/16	3-3/4	2-31/32	1-11/16	3-3/4	3/8	2.65
50	18	095018245	1-1/2	4-3/16	3-3/4	2-31/32	1-11/16	3-3/4	3/8	2.45
50	18	095018265	1-5/8	4-3/16	3-3/4	2-31/32	1-11/16	3-3/4	3/8	2.45
50	18	095018285	1-3/4	4-3/16	3-3/4	2-31/32	1-11/16	3-3/4	3/8	2.30
50	18	095018315	1-15/16	4-3/16	3-3/4	2-31/32	1-11/16	3-3/4	3/8	2.00
60	18	096018165	1	5	4-3/8	3-1/2	1-7/8	4-3/16	7/16	5.00
60	18	096018205	1-1/4	5	4-3/8	3-1/2	1-7/8	4-3/16	7/16	4.75
60	18	096018225	1-3/8	5	4-3/8	3-1/2	1-7/8	4-3/16	7/16	4.65
60	18	096018235	1-7/16	5	4-3/8	3-1/2	1-7/8	4-3/16	7/16	4.55
60	18	096018245	1-1/2	5	4-3/8	3-1/2	1-7/8	4-3/16	7/16	4.45
60	18	096018265	1-5/8	5	4-3/8	3-1/2	1-7/8	4-3/16	7/16	4.35
60	18	096018285	1-3/4	5	4-3/8	3-1/2	1-7/8	4-3/16	7/16	4.15
60	18	096018305	1-7/8	5	4-3/8	3-1/2	1-7/8	4-3/16	7/16	3.95
60	18	096018315	1-15/16	5	4-3/8	3-1/2	1-7/8	4-3/16	7/16	3.85
60	18	096018325	2	5	4-3/8	3-1/2	1-7/8	4-3/16	7/16	3.70
60	18	096018365	2-1/4	5	4-3/8	3-1/2	1-7/8	4-3/16	7/16	3.25
60	20	096020245	1-1/2	5-1/2	4-7/8	3-7/8	2	5-21/64	7/16	6.00
60	20	096020285	1-3/4	5-1/2	4-7/8	3-7/8	2	5-21/64	7/16	5.75



Additional bore sizes, styles, non-standard keyways and extra set screws available by quotation.

SELECTION SUGGESTIONS

Double Roller Chain Couplers have a torque capacity which is more than the torque normally transmitted by the shafting that will fit each coupler bore range.

Select the smallest coupler size which will accommodate both of your shafts. For reversing operations, shock or pulsating loads, or other severe operating conditions, select the next larger coupler size.

CAUTION: All rotation power transmission products are potentially dangerous and must be properly guarded for the speeds and applications for which they are intended.

G&G Manufacturing Company Double Roller Chain Coupler Sprockets should not be operated at speeds exceeding 5000 FPM rim speed.

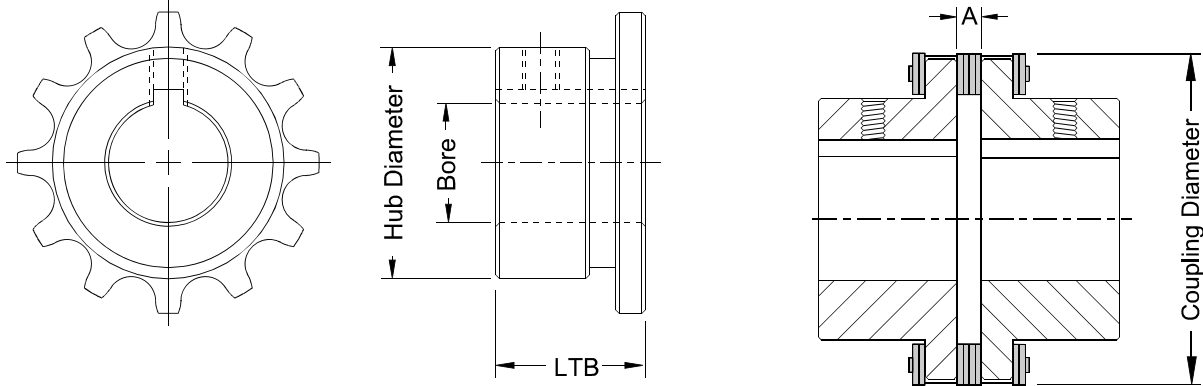
Couplers and Clutches



OMAHA, NEBRASKA
 (402) 453-9595
 1-800-442-6009
 FAX (402) 453-1740

DOUBLE ROLLER CHAIN COUPLER SPROCKETS NOVA IMPORT

A complete Double Roller Chain Coupler Sprocket assembly consists of two coupler halves and one length of double roller chain. Each component is sold separately, and should be ordered by individual stock number.



Coupler Halves - Stock Bore WITH HARDENED TEETH

NOVA Import Stock No.	Chain Size	No. Teeth	Bore Size	Coupler Dia.	Hub		Max. RPM	Max. Torque Lb. Ft.	Wt. Lbs.
					Dia.	LTB			
094012005	40	12	1/2	2-13/32	1-13/32	1-1/8	5000	73	.50
094016005	40	16	1/2	3-1/32	1-31/32	1-1/8	5000	98	1.00
095016005	50	16	1/2	3-25/32	2-1/2	1-7/16	4000	202	2.02
095018005	50	18	1/2	4-3/16	2-31/32	1-11/16	3600	227	3.50
096018005	60	18	1/2	4-3/8	3-1/2	1-7/8	3000	380	5.00
096020005	60	20	1/2	5-1/2	3-7/8	2	2500	422	6.50
098018005	80	18	1/2	6-21/32	4-9/16	2-3/8	2000	866	11.00
098020005	80	20	1/2	7-19/64	5-3/8	2-5/8	2000	961	16.30

MATERIAL: 1045

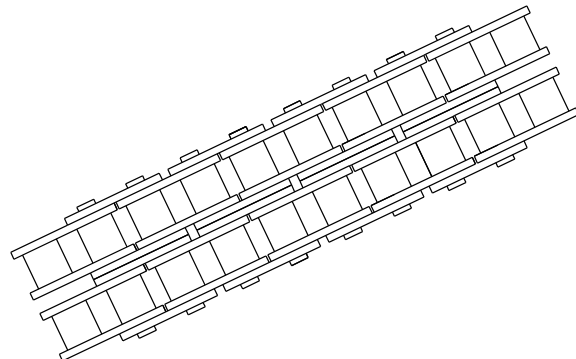
SELECTION SUGGESTIONS
 Double Roller Chain Couplers have a torque capacity which is more than the torque normally transmitted by the shafting that will fit each coupler bore range. Select the smallest coupler size which will accommodate both of your shafts. For reversing operations, shock or pulsating loads, or other severe operation conditions, select the next larger coupler size.

CAUTION: All rotation power transmission products are potentially dangerous and must be properly guarded for the speeds and applications for which they are intended. G&G Manufacturing Company Double Roller Chain Coupler Sprockets should not be operated at speeds exceeding 5000 FPM rim speed.

Coupler Chain

NOVA Import Stock No.	Chain Size	No. Teeth	Wt. Lbs.
094012CH5	40	12	.40
094016CH5	40	16	.50
095016CH5	50	16	1.20
095018CH5	50	18	1.30
096018CH5	60	18	2.20
096020CH5	60	20	2.60
098018CH5	80	18	5.30
098020CH5	80	20	5.90

Includes connector link

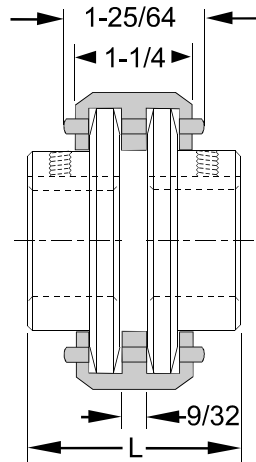


Couplers and Clutches

DELTRIN COUPLING CHAIN



OMAHA, NEBRASKA
(402) 453-9595
1-800-442-6009
FAX (402) 453-1740



#40 - 1/2" Pitch

Stock No.	Description	Wt. Lbs.
03004001	D-40 Cpl. Chain: 10' Box	3.42
03004050	D-40 Cpl. Chain: 50' Box	17.10

Fits any standard #40 Roller Chain Sprocket.

APPROXIMATE "L" DIMENSIONS:
Welded Sprockets over 24 teeth = 2-1/4"
Solid Sprockets under 20 teeth = 2"
Solid Sprockets over 20 teeth = 2-1/4"
QD Sprockets with JA hub = 2-1/8"
QD Sprocket with SH hub = 2-3/4"

Delrin Chain Couplings can be used in a wide range of rugged conditions:

- Temperatures from -20° to +150° F.
- Angular misalignment of 1° (10T - 19T), 1/2° (20T - 24T)
- Parallel misalignment of .005 inches.
- Total end float of .060 inches.

HP = Torque (Lb. Ft.) x RPM
5252

HP RATINGS FOR EVEN LOAD, NON-REVERSING APPLICATIONS*

No. Teeth	Overall Dia.	100 RPM Torque (Lb./Ft.)	REVOLUTIONS PER MINUTE																	
			100	200	300	400	500	600	700	800	900	1200	1500	1800	2000	2500	3000	3500	4000	5000
10	2.06	18.90	.36	.71	1.07	1.42	1.78	1.99	2.18	2.36	2.54	3.03	3.49	3.92	4.20	4.85	5.48	6.20	6.65	7.80
12	2.37	26.80	.51	1.02	1.53	2.04	2.55	2.85	3.12	3.38	3.64	4.35	5.00	5.60	6.10	6.95	7.85	8.90	9.55	11.20
14	2.69	36.30	.69	1.38	2.08	2.77	3.46	3.86	4.24	4.58	4.94	5.89	6.78	7.61	8.16	9.42	10.60	12.20	12.90	15.10
16	3.00	47.40	.90	1.80	2.71	3.61	4.51	5.04	5.51	5.98	6.43	7.68	8.84	9.92	10.60	12.30	13.90	15.70	16.90	
18	3.32	60.00	1.14	2.28	3.43	4.57	5.71	6.36	6.97	7.50	8.13	9.70	11.20	12.50	13.40	15.50	17.50	19.90	21.30	
20	3.64	74.10	1.41	2.82	4.22	5.63	7.04	7.85	8.60	9.33	10.00	12.00	13.80	15.50	16.60	19.20	21.60	24.60		
22	3.96	89.30	1.70	3.40	5.10	6.80	8.50	9.50	10.40	11.30	12.10	14.50	16.60	18.70	20.00	23.20	26.20	29.60		
24	4.27	106.00	2.02	4.04	6.06	8.08	10.10	11.30	12.40	13.40	14.40	17.30	19.80	22.30	23.90	27.60	31.20			
26	4.59	125.00	2.38	4.76	7.14	9.52	11.90	13.20	14.50	15.70	16.90	20.20	23.20	26.10	28.00	32.30	36.40			
28	4.91	145.00	2.76	5.52	8.28	11.04	13.80	15.40	16.80	18.20	19.60	23.40	27.00	30.20	32.40	37.40				
30	5.23	166.00	3.16	6.32	9.48	12.64	15.80	17.60	19.80	21.00	22.50	26.90	30.90	34.80	37.20	43.00				

*Use 1.5 service factor for uneven load, non-reversing applications. Use 2 service factor for heavy shock, reversing applications.

SPROCKET MOUNTING:

- Position sprockets (coupling halves) to allow a gap between sprocket as indicated.
- Align the shafts as accurately as possible to obtain the longest service life from the coupling.
 - Angular Alignment:** Coupling will tolerate a maximum of 1° angular misalignment, but for optimum life, a maximum of 1/2° is recommended. Angular alignment is checked by keeping both shafts stationary and taking a measurement with a feeler gauge at 12:00, 3:00, 6:00 and 9:00. The difference between 12:00 and 6:00 will give the error in alignment in the vertical plane. Likewise, the difference between 3:00 and 9:00 will give the error in alignment in the horizontal plane.
 - Parallel Alignment:** Can be checked with a straight edge placed on two sprockets. Alignment should be checked in at least two places at 90° intervals.

CHAIN HANDLING:

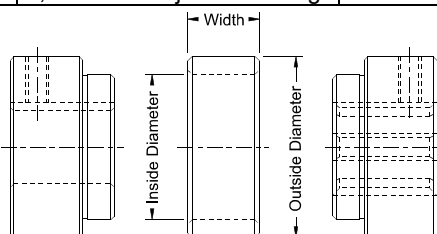
- When the shafts are properly aligned, the chain will easily wrap around the sprockets for final coupling assembly.
- Final assembly of the coupling can be accomplished with the press fit grooved pin.
- Caution must be exercised when installing the press fit groove pin to insure that the Delrin link is not damaged. Support link immediately adjacent to the pin by means of a "C" clamp, vise grip pliers or other similar device.

COUPLER HUBS

Coupler Hubs are designed to connect two separate shafts. The shafts may be the same or different styles or sizes. Simply choose the WELDAJOINT Bushing®, WELDAHUB® or SH QD Bushing for each shaft needed and assemble with the appropriate Coupler Hub. **Manufactured in the USA by G&G Mfg.**

WELDAHUB® Coupler Hubs

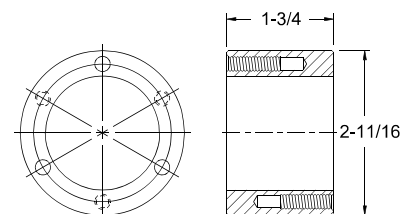
Stock No.	Hub Series	Outside Dia.	Inside Dia.	Width	Wt. Lbs.
012-3224	Weldajoint® Bushings	2	1-1/2	1	.39
012-3226	W	2	1-5/8	1	.32
012-4032	X, XX & Weldajoint® Bushings	2-1/2	2	1	.50



QD Coupler Hub

Stock No.	Outside Dia.	Width	Wt. Lbs.
012-OSH0	2-11/16	1-3/4	1.38

Drilled to receive only the SH QD Bushings found on page 48.





OMAHA, NEBRASKA
 (402) 453-9595
 1-800-442-6009
 FAX (402) 453-1740

JAW CLUTCHES

Copper Infiltrated Powdered Metal

A complete Jaw Clutch includes a sliding jaw with keyway, driven jaw, shifter yoke, fulcrum bracket and handle*. The driven jaw is square for right hand or left hand rotation. Sprockets used with Jaw Clutches should be silver brazed, not welded, to the driven jaw. Driven jaws fit any standard G&G WELDASPROCKET® that accepts an X-series WELDAHUB®.

Jaw Clutches are recommended for only applications where speeds are moderate.

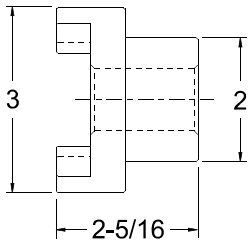
Jaws are available in other bore styles and sizes up to 1-1/2" by quotation.

Handle activation is 1-3/4" at end or 7 degrees rotation.

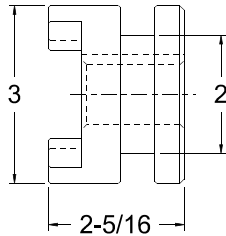
Silver Brazing priced by Quotation.

SEND YOUR INQUIRIES

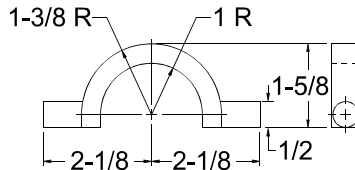
3" Jaw Clutches: 75 lb.-FT. (Impact Loads) 120 lb.-FT. (Static Loads)



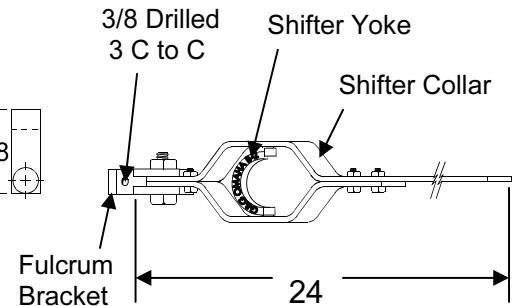
Driven Jaw



Sliding Jaw



Shifter Yoke



3" Clutch Components

Stock No.	Description	Bore Size	Wt. Lbs.
*198--CXX	Sliding Jaw	1" Rd.-1/4"KW	2.38
198DXX-S	Driven Jaw	1" Plain	1.75
198--B-2	Shifter Yoke		.04

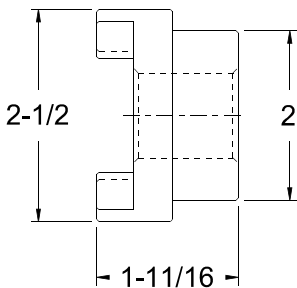
* Material: 1045

Complete 3" Clutch

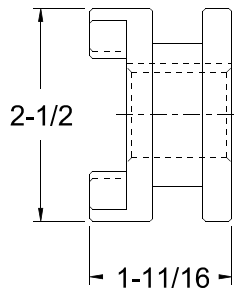
Stock No.	Bore Size	Wt. Lbs.
198JCSXX	1" Plain	10.88

Handle and Fulcrum Bracket are sold only with Complete 3" Jaw Clutch, not available as separate components.

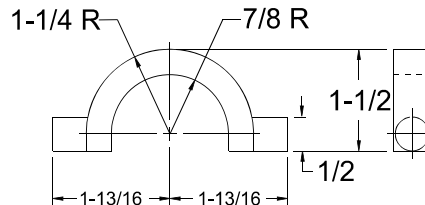
2-1/2" Jaw Clutches: 56 lb.-FT. (Impact Loads) 90 lb.-FT. (Static Loads)



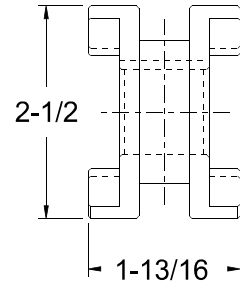
Driven Jaw



Sliding Jaw



Shifter Yoke



Double Sliding Jaw

2-1/2" Clutch Components

Stock No.	Description	Bore Size	Wt. Lbs.
199-BX16	Double Sliding Jaw	1" Rd.-1/4"KW	1.94
199-CX16	Sliding Jaw	1" Rd.-1/4"KW	1.06
199-DX16	Driven Jaw	1" Plain	1.13
199-DX20	Driven Jaw	1-1/4" Plain	1.00
199--B-1	Shifter Yoke		1.63

Available in various bore styles and sizes up to 1-1/4" by quotation.

Handles and Fulcrum Brackets for the 2-1/2" Jaw Clutches are not available from G&G Manufacturing Company.

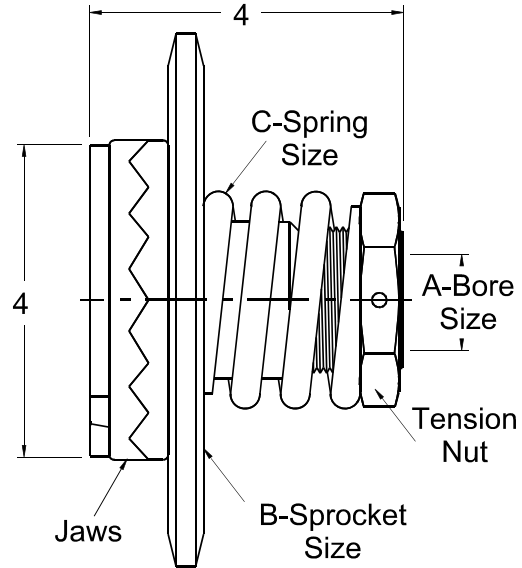
SC-X 4" SHAFT MOUNTED RATCHET SLIP CLUTCH NON STOCK



OMAHA, NEBRASKA
(402) 453-9595
1-800-442-6009
FAX (402) 453-1740

25 PIECE MINIMUM - PRICED BY QUOTATION

SC-X 4" Shaft Mounted Ratchet Slip Clutches are for applications in the 8 to 12 HP range at 540 RPM. They can be used with any standard G&G WELDASPROCKET® that accepts an X-series WELDAHUB®. Tension adjustment is provided by the compression spring, which is available in three sizes. Clutches are available in 1", 1-1/8", 1-3/16" and 1-1/4" bore sizes only.



Replacement Components

Stock No.	Description	Wt. Lbs.	Torque Rating
200-0005	5/16" Spring	.56	60 Ft.-Lb.
200-0006	3/8" Spring	.83	90 Ft.-Lb.
200-0007	7/16" Spring	1.06	120 Ft.-Lb.
200-0016	1" Clutch Body	3.25	NA
200-0018	1-1/8" Clutch Body	3.00	NA
200-0019	1-3/16" Clutch Body	2.75	NA
200-0020	1-1/4" Clutch Body	2.50	NA
200-0064*	4" Ratchet Jaw	1.00	NA
20000SCX	SC-X Tension Nut	.34	NA

*Sold Individually - (2) are required per assembly.

When ordering, specify:
A - Bore Size
B - Sprocket Size
C - Spring Size

Sprocket Specifications

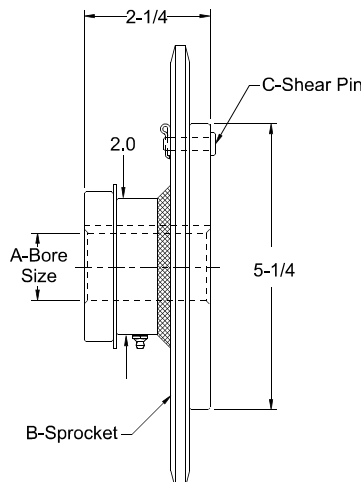
	Roller Chain No.			
	40	50	60	80
Min. Teeth	30	24	20	16

NON STOCK SHEAR SPROCKETS

25 PIECE MINIMUM - PRICED BY QUOTATION

Shear Sprockets are available in 1", 1-1/8", 1-1/4" and 1-3/8" bores with standard keyway and setscrew. Sprockets can be furnished with 3/16", 1/4", 5/16" or 3/8" shear pin on a 4-1/2" bolt circle. See page 87 for approximate shear pin strengths. **Other sizes and styles available by quotation.**

SEND YOUR INQUIRIES



Sprocket Specifications

	Roller Chain No.		
	40	50	60
Min. Teeth	38	30	26

When ordering, specify:
A - Bore Size
B - Sprocket Size
C - Pin Size

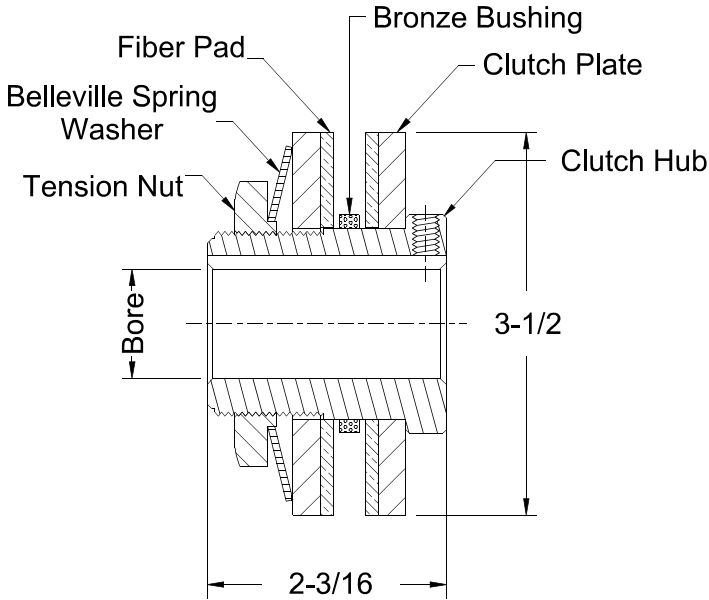
Manufactured in the USA by G&G Manufacturing Co.



OMAHA, NEBRASKA
 (402) 453-9595
 1-800-442-6009
 FAX (402) 453-1740

TORQUE LIMITER CLUTCHES NON STOCK

25 PIECE MINIMUM - PRICED BY QUOTATION



Torque Limiter Clutches will prevent damage to expensive drive components. They slip instantaneously when overloaded and automatically reset when overload is eliminated. Clutches are available in a 3/4", 7/8", 1" or 1-1/4" bores with standard keyway and setscrew. One or two Belleville Spring Washers determine the torque range of these clutches.

Torque Limiter Clutches require precision ground sprockets which are available upon request.

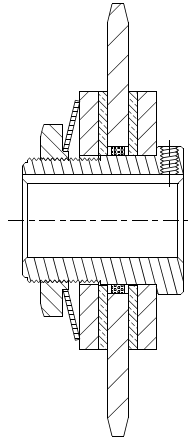
SEND YOUR INQUIRES

Spring Washer/Torque Rating

No. of Spring Washers	Min. Torque in LB.FT.	Max. Torque in LB.FT.
1	10	125
2	50	250

Replacement Components

Stock No.	Description
210-0002	Torque Limiter Plate
210-0012	3/4" Torque Limiter Hub
210-0014	7/8" Torque Limiter Hub
210-0016	1" Torque Limiter Hub
210-0020	1-1/4" Torque Limiter Hub
210-0175	Fiber Pad
210-0180	#40 & #60 Bronze Bushing
210-0250	#50 Bronze Bushing
210-0325	Belleville Spring Washer
210-2375	Tension Nut



Sprocket Specifications

	Roller Chain No.					
	35	41	40	50	60	80
Min. Teeth	35	26	26	21	18	15

When ordering, specify:

- A - Bore Size
- B - Torque Range
- C - Sprocket Size

IN-LINE SHEAR CLUTCHES NON STOCK

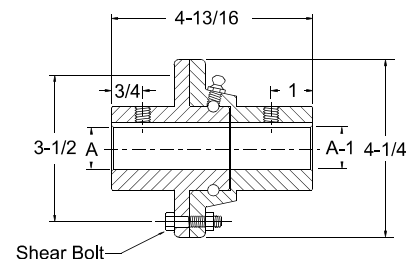
BALL BEARING TYPE

25 PIECE MINIMUM - PRICED BY QUOTATION

In-Line Shear Clutches are available in round bore sizes up to 1-1/4" square bore sizes up to 1-3/16", hex bore sizes up to 1-3/8" and spline bore sizes up to 1-1/2". Shear bolts can be 1/4", 5/16" or 3/8"

SEND YOUR INQUIRIES

When ordering, specify:
 A & A-1 Bore Sizes and
 B - Shear Bolt Size



SECTION INDEX



OMAHA, NEBRASKA
(402) 453-9595
1-800-442-6009
FAX (402) 453-1740

Cross Reference Chart	71
Danger Labels	87
Engineering Information	87
Guards and Bearing Kits	82-85
Plastic PTO Guards and Bearing Kits	83
Metal PTO Guards and Bearing Kits	84
Uni-Shielded PTO Guards and Bearing Kits.....	82
Shield Stabilizers.....	85
Horsepower Rating Chart.....	71
Made to Order PTO Drivelines	74
Parts Drawings.....	75-80
6N Series.....	75
12N Series.....	76
14N Series.....	77
35N Series.....	78
44N Series.....	79
55N Series.....	80
Pin Stop Drivelines	74
Ready Made PTO Drivelines.....	72
Complete Drivelines.....	72
Drivelines Less Implement End Yoke	72
Snap Hitch Repair Kits	85-86
Collar Snap Hitch Kits.....	85
Pin Snap Hitch Kits	86
Uni-Shield with Collar Snap Hitch Kits	86
Universal Replacement Driveline for	
Dry Fertilizer Spreaders	73
Yoke & Bar Assemblies	81
Yoke & Tube Assemblies	81



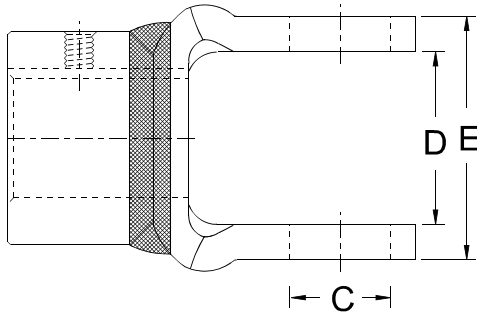
CATALOG
2017 - v1

**UPC Bar Coding is available on stock items
upon customer request.**

YOKE IDENTIFICATION & HORSEPOWER RATING CHART



OMAHA, NEBRASKA
(402) 453-9595
1-800-442-6009
FAX (402) 453-1740



$$HP = \frac{\text{Torque (LB. FT.)} \times \text{RPM}}{5252}$$

$$\text{TORQUE (LB. FT.)} = \frac{HP \times 5252}{\text{RPM}}$$

Series No.	C	D	E	Bearing Type	Torque Lb - Ft	Torque Lb - In	HP @ 540 RPM	HP @ 1000 RPM
4P	7/8	1-23/64	**	Plain	48.62	583	5	9
0675	15/16	1-1/2	2-3/16**	Needle	116.71	1400	12	22
6N	31/32	1-7/16	2-7/32**	Needle	116.71	1400	12	22
12N	1-1/16	1-13/16	**	Needle	272.33	3268	28	52
14N	1-1/8	**	2-29/32	Needle	350.13	4202	36	66
35N	1-1/4	**	3-31/64	Needle	632.19	7586	65	120
44R	1-5/16	2-51/64	**	Needle	875.33	10504	90	166
55N	1-17/32	**	4-5/8	Needle	1069.85	12838	110	203

** Not a critical dimension for location of snap ring.

SUGGESTED MAXIMUM NORMAL OPERATING ANGLES:

15° Operating Angle @ 540 RPM

7° Operating Angle @ 1000 RPM

CROSS REFERENCE CHART

G&G	Rockwell Standard	Weasler Engineering	Neapco	Spicer	Walterscheid AgMaster	G&G Repair Kit No.
4P						302-0400
6N	CPL6R-40 L6N	200-0600 L6W/6RW 6	1-1475 L600		5-92X	302-0600
12N	CPL12R L12N	200-1200 12RW 12	1-1275 1200	1140	5-242X 1140	302-1200
14N	CPL14R L14N	200-1400 14	1-2075 2000	1240	5-129X 1240	302-1400
35N	CP35R 35N	200-3500 DN/35NW 35	2-2275 2200	1340	5-243X 1340	302-3500
44R	CP44R 44R	200-4400 44 44R	3-0044 N44	1440		302-4400
55N	CP55N 55N	200-5500 55 55R	3-0045 N55			302-5500
0675		200-0675 0675				302-0675
1875						302-1875

PTO Drivelines
& Components

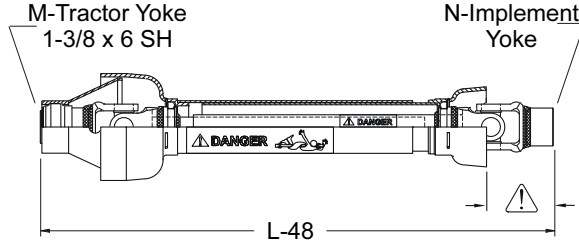


OMAHA, NEBRASKA
 (402) 453-9595
 1-800-442-6009
 FAX (402) 453-1740

READY MADE PTO DRIVELINES

COMPLETE PTO DRIVELINES

Complete PTO Drivelines are available from stock with Safety Orange Plastic Guards. Black Plastic Guards are available by Quotation. Dimension M is 1-3/8 x 6 Spline Snap Hitch. Dimension L is 48" and Dimension N is available in a variety of round bore sizes with standard keyway and setscrew. **ORDER BY STOCK NUMBER**



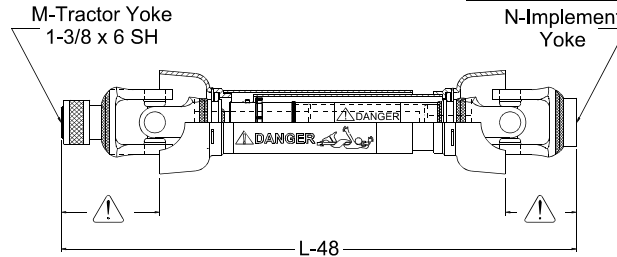
WARNING!
 Portions marked ⚠ of this driveline are not guarded. The machine manufacturer is responsible for providing guarding.

Stock No.	Series No.	Dim. N	Wt. Lbs.
306-4816	6N	1" Rd.	20.00
306-4818	6N	1-1/8" Rd.	20.00
306-4820	6N	1-1/4" Rd.	20.00

Stock No.	Series No.	Dim. N	Wt. Lbs.
312-4816	12N	1" Rd.	29.00
312-4818	12N	1-1/8" Rd.	29.00
312-4820	12N	1-1/4" Rd.	29.00

Stock No.	Series No.	Dim. N	Wt. Lbs.
314-4818	14N	1-1/8" Rd.	29.00
314-4820	14N	1-1/4" Rd.	29.00
314-4822	14N	1-3/8" Rd.	29.00
314-4824	14N	1-1/2" Rd.	29.00

Stock No.	Series No.	Dim. N	Wt. Lbs.
335-4820	35N	1-1/4" Rd.	38.00
335-4822	35N	1-3/8" Rd.	38.00
335-4824	35N	1-1/2" Rd.	38.00
344-4824	44R	1-1/2" Rd.	56.00
355-4824	55N	1-1/2" Rd.	67.00



WARNING!
 Portions marked ⚠ of this driveline are not guarded. The machine manufacturer is responsible for providing guarding.

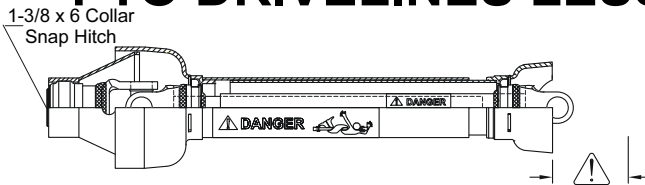
CAUTION

For maximum safety and smoothest operation, keep PTO Shaft in a closed position while under load. Keep U-Joint angles equal. Recommended not to exceed 15 Degree offset on each U-Joint.

ALWAYS REPLACE SAFETY GUARDS.

SEE PAGES 82-84 FOR REPLACEMENT GUARDS.

PTO DRIVELINES LESS IMPLEMENT END YOKE



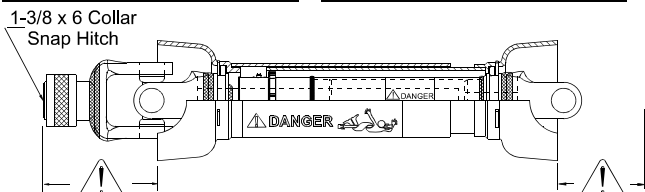
PTO Drivelines Less Implement End Yoke are furnished without center cross or end yoke on implement end. Order center cross and end yoke as required. When center cross and end yoke are installed, the overall length of the PTO will be 48". Safety Orange Plastic Guards are furnished.

ALWAYS REPLACE SAFETY GUARDS.

SEE PAGES 82-84 FOR
 REPLACEMENT GUARDS

Stock No.	Series No.	Wt. Lbs.
305-0648	6N	18.00
305-1248	12N	26.00
305-1448	14N	28.04

Stock No.	Series No.	Wt. Lbs.
305-3548	35N	33.04
305-4448	44R	48.31
*305-5548	55N	52.10

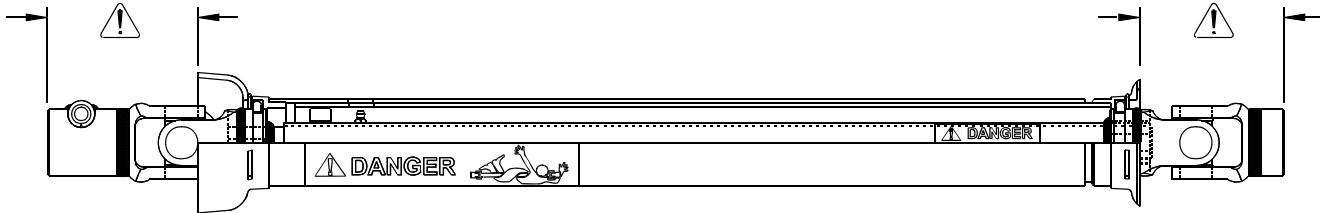


WARNING!
 Portions marked ⚠ of this driveline are not guarded. The machine manufacturer is responsible for providing guarding.

UNIVERSAL REPLACEMENT DRIVELINE for DRY FERTILIZER SPREADERS



OMAHA, NEBRASKA
(402) 453-9595
1-800-442-6009
FAX (402) 453-1740

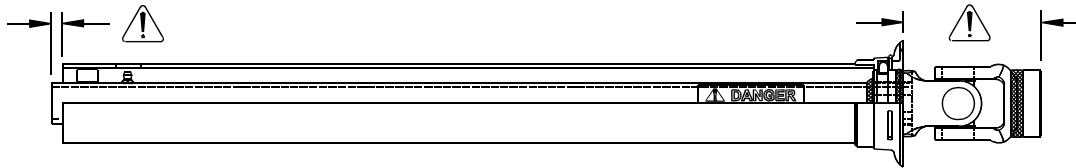


STOCK NO.
306-3816

DESCRIPTION
COMPLETE DRIVELINE
TR6ND-P 38-1/2" OA

1-3/8 x 6 Spline Pin Snap Hitch x 1" Round
with 1/4 x 1/8 Keyway, 25/64 Pin Hole & 5/16-18 Set Screw

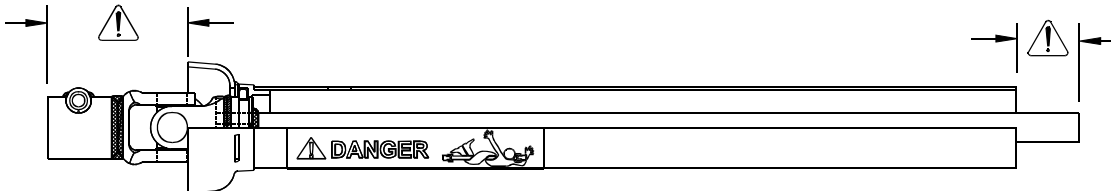
WARNING!
Portions marked ⚠ of this driveline are not guarded. The machine manufacturer is responsible for providing guarding.



STOCK NO.
306I3816

DESCRIPTION
IMPLEMENT HALF

WARNING!
Portions marked ⚠ of this driveline are not guarded. The machine manufacturer is responsible for providing guarding.



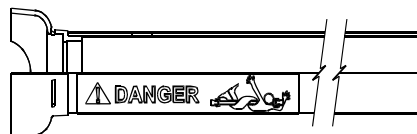
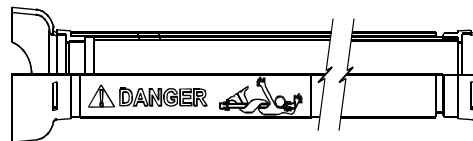
STOCK NO.
306T3816

DESCRIPTION
TRACTOR HALF
1-3/8 x 6 Spline Pin Snap Hitch Yoke

WARNING!
Portions marked ⚠ of this driveline are not guarded. The machine manufacturer is responsible for providing guarding.

PLASTIC GUARDS

Stock No.	Description
303-638F	Complete Guard
303O638F	Outer Guard
303I638F	Inner Guard



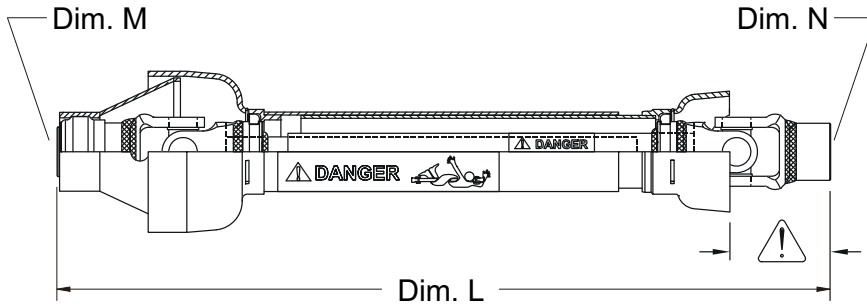
For maximum safety and smoothest operation, keep PTO Shaft in a closed position while under load. Keep U-Joint angles equal. Recommended not to exceed 15 degree offset on each U-Joint. **ALWAYS REPLACE SAFETY GUARDS.**



OMAHA, NEBRASKA
 (402) 453-9595
 1-800-442-6009
 FAX (402) 453-1740

MADE TO ORDER PTO DRIVELINES

When ordering or requesting quotation on Made to Order PTO Drivelines specify:
**Style Number,
 Dimension L, Dimension M, and Dimension N.**



WARNING!

Portions marked of this driveline are not guarded. The machine manufacturer is responsible for providing guarding.

SEE PAGES 82-84 FOR
 REPLACEMENT GUARDS

PTO Driveline is shown with uni-shield.

CAUTION!

For maximum safety and smoothest operation, keep PTO Shaft in a closed position while under load. Keep U-Joint angles equal. Recommended not to exceed 15 degree offset on each U-Joint. **ALWAYS REPLACE SAFETY GUARDS.**

Style No.	Series No.	Guard Type	Shaft Size	HP @ 540 RPM	HP @ 1000 RPM
TR6ND	6N	Metal	3/4x7/8	12	22
TR6ND-P	6N	Plastic	3/4x7/8	12	22
TR6NA	6N	No Guard	3/4x7/8	12	22
TR12ND	12N	Metal	1x1-1/8	28	51
TR12ND-P	12N	Plastic	1x1-1/8	28	51
TR12NA	12N	No Guard	1x1-1/8	28	51
TR14ND	14N	Metal	1x1-1/8	36	66
TR14ND-P	14N	Plastic	1x1-1/8	36	66
TR14NA	14N	No Guard	1x1-1/8	36	66
TR35ND	35N	Metal	1-3/16 Sq.	65	120
TR35ND-P	35N	Plastic	1-3/16 Sq.	65	120
TR35NA	35N	No Guard	1-3/16 Sq.	65	120
TR44ND	44R	Metal	1-5/16 Sq.	90	166
TR44ND-P	44R	Plastic	1-5/16 Sq.	90	166
TR44NA	44R	No Guard	1-5/16 Sq.	90	166
TR55ND	55N	Metal	1-3/8 Sq.	110	203
TR55ND-P	55N	Plastic	1-3/8 Sq.	110	203
TR55NA	55N	No Guard	1-3/8 Sq.	110	203

All PTO Drivelines ordered with no guard must be accompanied by a letter stating that the PTO will be guarded by the customer or used in a application not requiring guards.

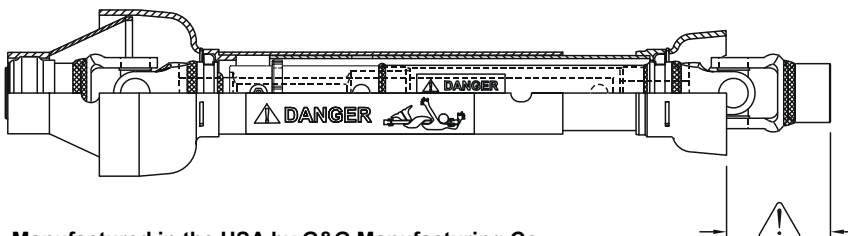
$$HP = \frac{\text{Torque (Lb. Ft.)} \times \text{RPM}}{5252}$$

PIN STOP DRIVELINE

AVAILABLE IN 6N, 12N, 14N, 35N, 44R AND 55N SERIES

The Pin Stop PTO Driveline has been designed for use with implements that operate in a stationary position to prevent overextension of the PTO Driveline. Specific information and pricing available by quotation.

SEND YOUR INQUIRIES.



WARNING!

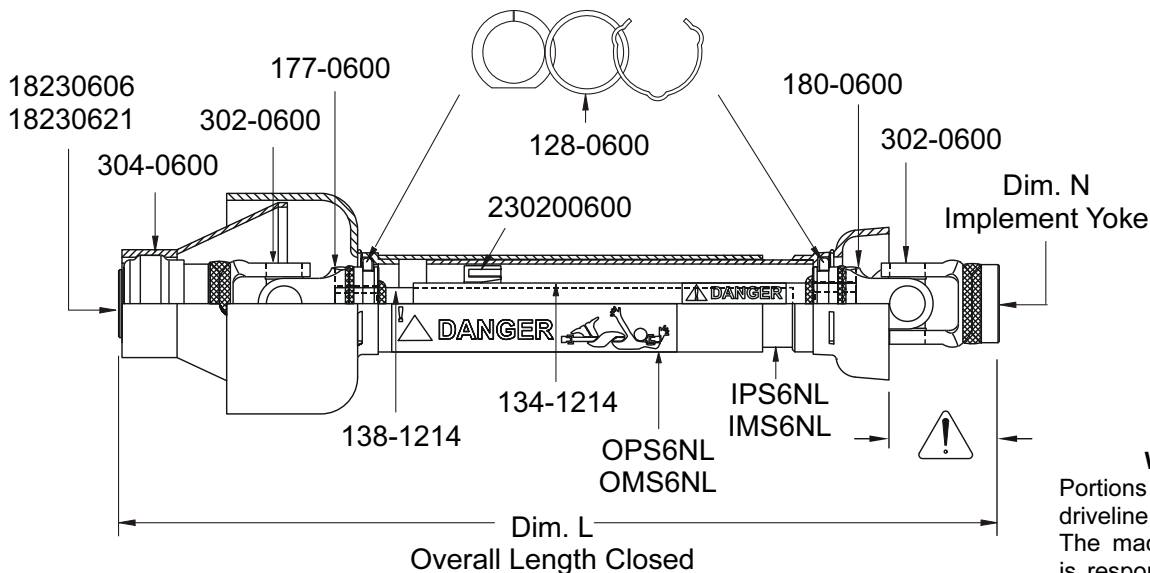
Portions marked of this driveline are not guarded. The machine manufacturer is responsible for providing guarding.

Manufactured in the USA by G&G Manufacturing Co.

PARTS DRAWING FOR TR6ND AND TR6ND-P



OMAHA, NEBRASKA
(402) 453-9595
1-800-442-6009
FAX (402) 453-1740



WARNING!
Portions marked of this driveline are not guarded. The machine manufacturer is responsible for providing guarding.

***Illustrated with Plastic Uni-Shield**
***Metal Guarded PTO not available with Uni-Shield**

CAUTION!

For maximum safety and smoothest operation, keep PTO Shaft in a closed position while under load. Keep U-Joint angles equal. Recommended not to exceed 15 degree offset on each U-Joint. **ALWAYS REPLACE SAFETY GUARDS.**

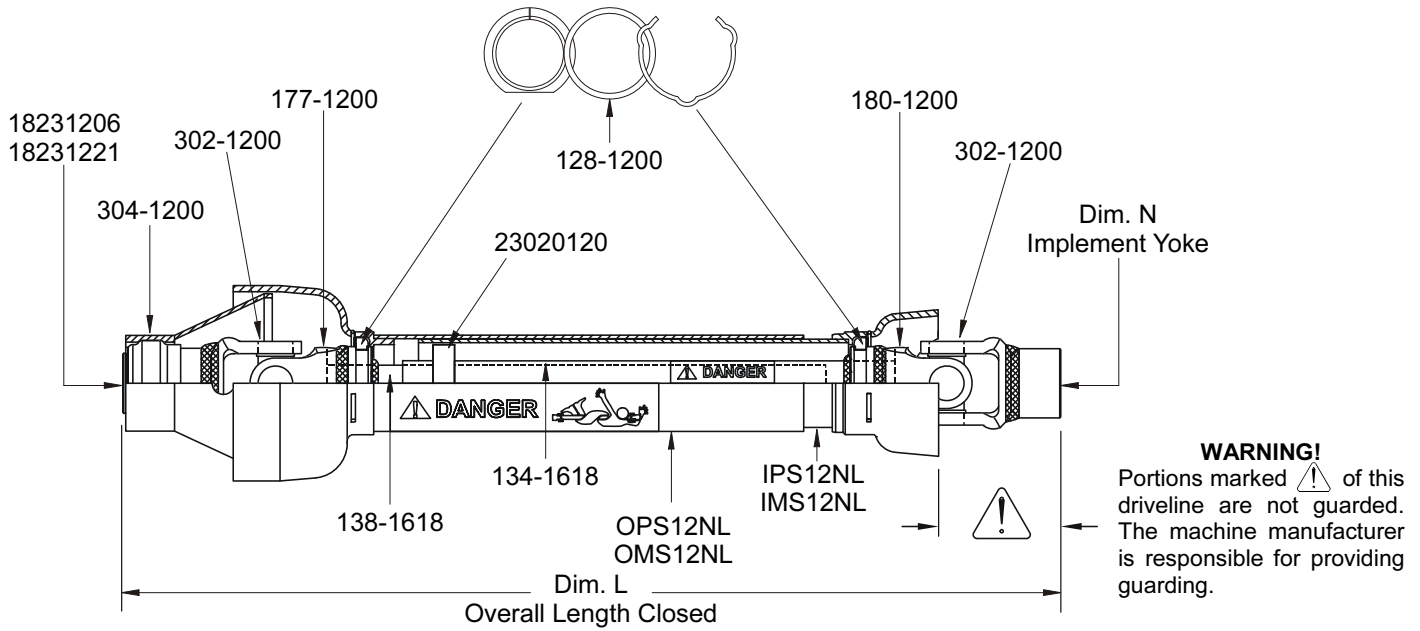
Stock No.	Part No.	Description
18230606		Snap Hitch Yoke for 540 RPM - for 1000 RPM, Order 18230621
304-0600		Uni-Shield Repair Kit
302-0600		Repair Kit Complete
177-0600		Yoke 3/4"x7/8" Rectangular for Shaft Weld
138-1214		3/4"x7/8" Rectangular Shaft
134-1214		3/4"x7/8" Rectangular Tubing
	IPS6NL	Inner Plastic Guard (2-3/8" OD) with Bell. Specify Dimension L
	OPS6NL	Outer Plastic Guard (2-11/16" OD) with Bell. Specify Dimension L
	IMS6NL	Inner Metal Guard (2-1/8"x16 Ga.) with Bell. Specify Dimension L
	OMS6NL	Outer Metal Guard (2-3/8"x14 Ga.) with Bell. Specify Dimension L
128-0600		Nylon Bearing, Thrust Washer and Snap Ring
180-0600		Yoke for Torque Tube Weld
	Dim. N	Implement Yoke, Round Bore, Specify Size
230200600		Plastic Shield Stabilizer
23020602		Metal Shield Stabilizer

SEE PAGES 82-84 FOR REPLACEMENT GUARDS



OMAHA, NEBRASKA
 (402) 453-9595
 1-800-442-6009
 FAX (402) 453-1740

PARTS DRAWING FOR TR12ND AND TR12ND-P



***Illustrated with Plastic Uni-Shield**
***Metal Guarded PTO not available with Uni-Shield**

CAUTION!

For maximum safety and smoothest operation, keep PTO Shaft in a closed position while under load. Keep U-Joint angles equal. Recommended not to exceed 15 degree offset on each U-Joint. **ALWAYS REPLACE SAFETY GUARDS.**

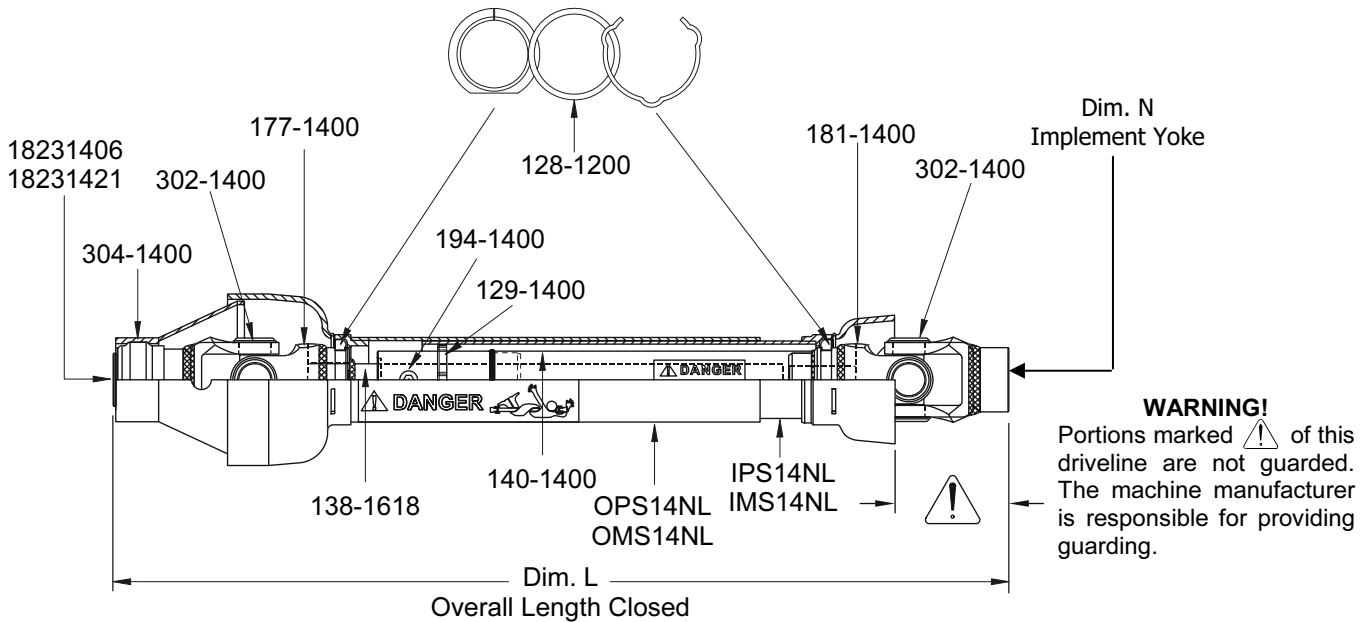
Stock No.	Part No.	Description
18231206		Snap Hitch Yoke for 540 RPM - for 1000 RPM, Order 18231221
304-1200		Uni-Shield Repair Kit
302-1200		Repair Kit Complete
177-1200		Yoke 1"x1-1/8" Rectangular for Shaft Weld
138-1618		1"x1-1/8" Rectangular Shafting
134-1618		1"x1-1/8" Rectangular Tubing
	IPS12NL	Inner Plastic Guard (2-11/16" OD) with Bell. Specify Dimension L
	OPS12NL	Outer Plastic Guard (3" OD) with Bell. Specify Dimension L
	IMS12NL	Inner Metal Guard (2-1/2"x16 Ga.) with Bell. Specify Dimension L
	OMS12NL	Outer Metal Guard (2-3/4"x13 Ga.) with Bell. Specify Dimension L
128-1200		Nylon Bearing, Thrust Washer and Snap Ring
180-1200		Yoke 1-9/32"x1-13/32" Rectangular for Tube Weld
	DIM. N	Implement Yoke, Round Bore, Specify Size
23020120		12N Stabilizer Bearing

SEE PAGES 82-84 FOR REPLACEMENT GUARDS

PARTS DRAWING FOR TR14ND AND TR14ND-P



OMAHA, NEBRASKA
(402) 453-9595
1-800-442-6009
FAX (402) 453-1740



***Illustrated with Plastic Uni-Shield**
***Metal Guarded PTO not available with Uni-Shield**

CAUTION!

For maximum safety and smoothest operation, keep PTO Shaft in a closed position while under load. Keep U-Joint angles equal. Recommended not to exceed 15 degree offset on each U-Joint. **ALWAYS REPLACE SAFETY GUARDS.**

Stock No.	Part No.	Description
18231406		Snap Hitch Yoke for 540 RPM - for 1000 RMP, Order 18231421
304-1400		Uni-Shield Repair Kit
302-1400		Repair Kit Complete
177-1400		Yoke 1" x 1-1/8" Rectangular for Shaft Weld
138-1618		1" x 1-1/8" Rectangular Shaft
140-1400		Torque Tubing 2" OD x 1-13/16" ID
194-1400		Slip Sleeve 1" x 1-1/8" Rectangular
	IPS14NL	Inner Plastic Guard (2-11/16" OD) with Bell. Specify Dimension L
	OPS14NL	Outer Plastic Guard (3" OD) with Bell. Specify Dimension L
	IMS14NL	Inner Metal Guard (2-1/2" x 16 Ga.) with Bell. Specify Dimension L
	OMS14NL	Outer Metal Guard (2-3/4" x 13 Ga.) with Bell. Specify Dimension L
128-1200		Nylon Bearing, Thrust Washer and Snap Ring
129-1400		12N, 14N, & 35N Stabilizer/Bearing
181-1400		Yoke for Torque Tube Weld
	DIM. N	Implement Yoke, Round Bore, Specify Size

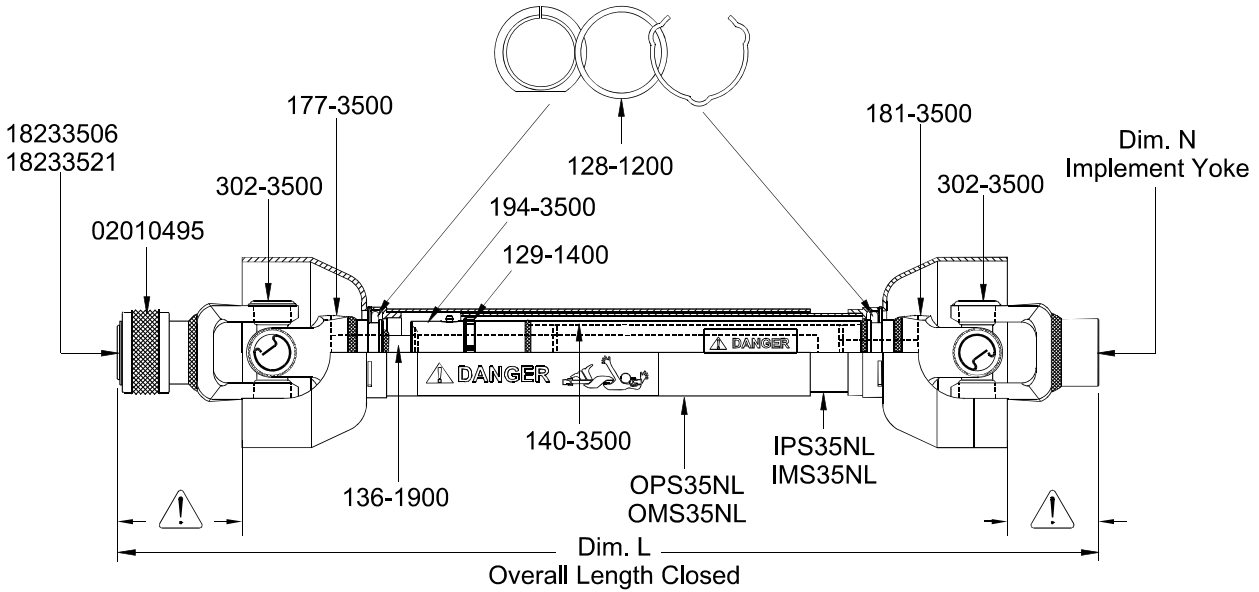
SEE PAGES 82-84 FOR REPLACEMENT GUARDS

Manufactured in the USA by G&G Manufacturing Co.



OMAHA, NEBRASKA
 (402) 453-9595
 1-800-442-6009
 FAX (402) 453-1740

PARTS DRAWING FOR TR35ND AND TR35ND-P



WARNING!

Portions marked of this driveline are not guarded. The machine manufacturer is responsible for providing guarding.

***Illustrated with Plastic Guard**

CAUTION!

For maximum safety and smoothest operation, keep PTO Shaft in a closed position while under load. Keep U-Joint angles equal. Recommended not to exceed 15 degree offset on each U-Joint. **ALWAYS REPLACE SAFETY GUARDS.**

Stock No.	Part No.	Description
18233506		Snap Hitch Yoke for 540 RPM - for 1000 RMP, Order 18233521
02010495		Coiled Spring, Three Ball Bearings, Retaining Shell and Snap Ring
302-3500		Repair Kit Complete
177-3500		Yoke 1-3/16" Square for Shaft Weld
136-1900		1-3/16" Square Shafting
140-3500		Torque Tubing 2-1/8" OD x 1-7-8" ID
194-3500		Slip Sleeve 1-3/16" Square
	IPS35NL	Inner Plastic Guard (2-11/16" OD) with Bell. Specify Dimension L
	OPS35NL	Outer Plastic Guard (3" OD) with Bell. Specify Dimension L
	IMS35NL	Inner Metal Guard (2-1/2" x 16 Ga.) with Bell. Specify Dimension L
	OMS35NL	Outer Metal Guard (2-3/4" x 13 Ga.) with Bell. Specify Dimension L
128-1200		Nylon Bearing, Thrust Washer and Snap Ring
129-1400		12N, 14N, & 35N Stabilizer/Bearing
181-3500		Yoke for Torque Tube Weld
	DIM. N	Implement Yoke, Round Bore, Specify Size

SEE PAGES 82-84 FOR REPLACEMENT GUARDS

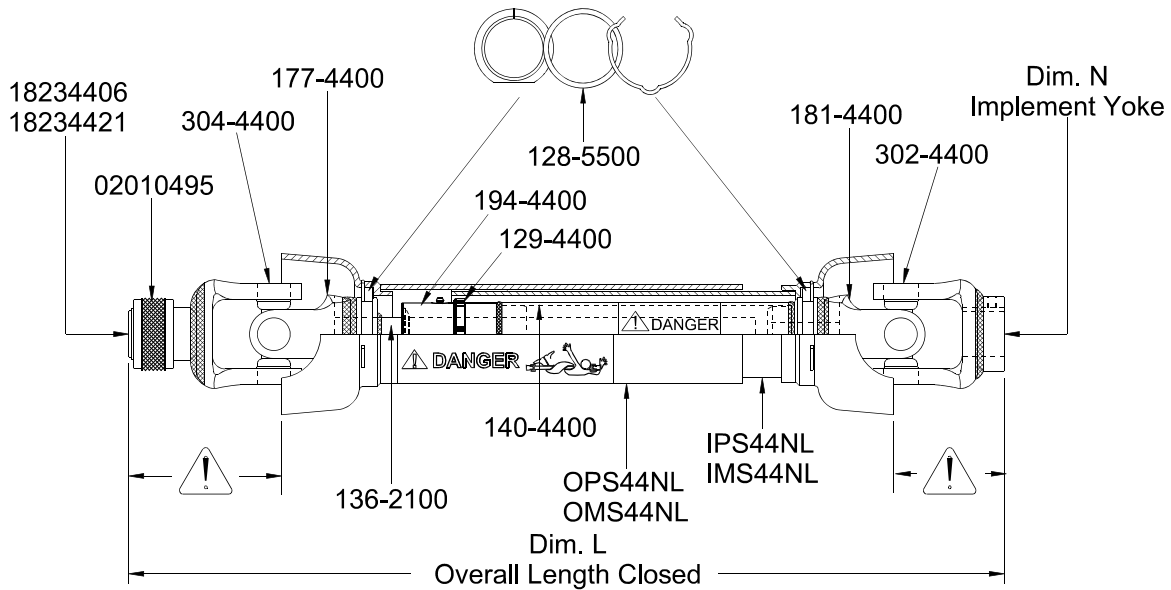
Manufactured in the USA by G&G Manufacturing Co.

PTO Drivelines & Components

PARTS DRAWING FOR TR44ND AND TR44ND-P



OMAHA, NEBRASKA
(402) 453-9595
1-800-442-6009
FAX (402) 453-1740



WARNING!

Portions marked of this driveline are not guarded. The machine manufacturer is responsible for providing guarding.

***Illustrated with Plastic Guard**

CAUTION!

For maximum safety and smoothest operation, keep PTO Shaft in a closed position while under load. Keep U-Joint angles equal. Recommended not to exceed 15 degree offset on each U-Joint. **ALWAYS REPLACE SAFETY GUARDS.**

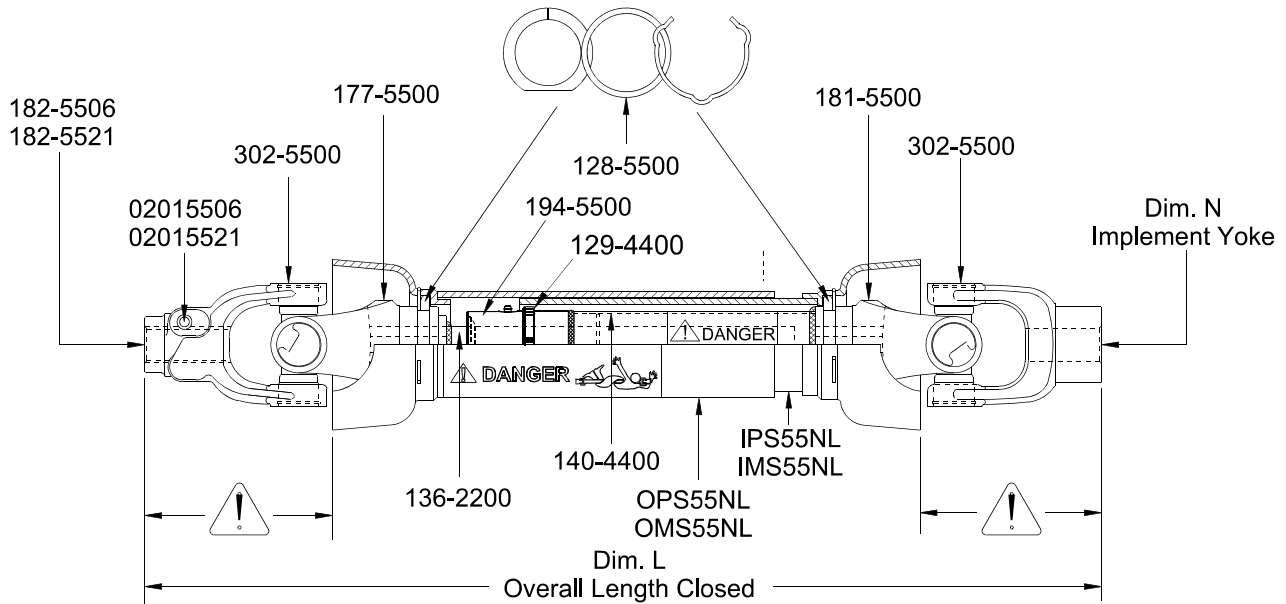
Stock No.	Part No.	Description
18234406		Snap Hitch Yoke for 540 RPM - for 1000 RMP, Order 18234421
02010495		Coiled Spring, Three Ball Bearings, Retaining Shell and Snap Ring
302-4400		Repair Kit Complete
177-4400		Yoke 1-5/16" Square for Shaft Weld
136-2100		1-5/16" Square Shafting
140-4400		Torque Tubing 2-1/2" OD x 2-15/64" ID
194-4400		Slip Sleeve 1-5/16" Square
	IPS44NL	Inner Plastic Guard (3-1/2" OD) with Bell. Specify Dimension L
	OPS44NL	Outer Plastic Guard (4" OD) with Bell. Specify Dimension L
	IMS44NL	Inner Metal Guard (2-7/8" x 16 Ga.) with Bell. Specify Dimension L
	OMS44NL	Outer Metal Guard (3-1/8" x 13 Ga.) with Bell. Specify Dimension L
128-5500		Nylon Bearing, Thrust Washer and Snap Ring
129-4400		44R & 55N Stabilizer/Bearing
181-4400		Yoke for Torque Tube Weld
	DIM. N	Implement Yoke, Round Bore, Specify Size

SEE PAGES 82-84 FOR REPLACEMENT GUARDS



OMAHA, NEBRASKA
 (402) 453-9595
 1-800-442-6009
 FAX (402) 453-1740

PARTS DRAWING FOR TR55ND AND TR55ND-P



***Illustrated with Plastic Guard**

WARNING! Portions marked of this driveline are not guarded. The machine manufacturer is responsible for providing guarding.

CAUTION!

For maximum safety and smoothest operation, keep PTO Shaft in a closed position while under load. Keep U-Joint angles equal. Recommended not to exceed 15 degree offset on each U-Joint. **ALWAYS REPLACE SAFETY GUARDS.**

Stock No.	Part No.	Description
18235506		Snap Hitch Yoke for 540 RPM - for 1000 RMP, Order 182-5521
02015506		Pin, Spring and Keeper for 6 Spline - for 21 Spline, Order 02015521
302-5500		Repair Kit Complete
177-5500		Yoke 1-3/8" Square for Shaft Weld
136-2200		1-3/8" Square Shafting
140-4400		Torque Tubing 2-1/2" OD x 2-15/64" ID
194-5500		Slip Sleeve 1-3/8" Square
	IPS55NL	Inner Plastic Guard (3-1/2" OD) with Bell. Specify Dimension L
	OPS55NL	Outer Plastic Guard (4" OD) with Bell. Specify Dimension L
	IMS55NL	Inner Metal Guard (2-7/8" x 16 Ga.) with Bell. Specify Dimension L
	OMS55NL	Outer Metal Guard (3-1/8" x 13 Ga.) with Bell. Specify Dimension L
128-5500		Nylon Bearing, Thrust Washer and Snap Ring
129-4400		44R & 55N Stabilizer/Bearing
181-5500		Yoke for Torque Tube Weld
	DIM. N	Implement Yoke, Round Bore, Specify Size

SEE PAGES 82-84 FOR REPLACEMENT GUARDS

Manufactured in the USA by G&G Manufacturing Co.

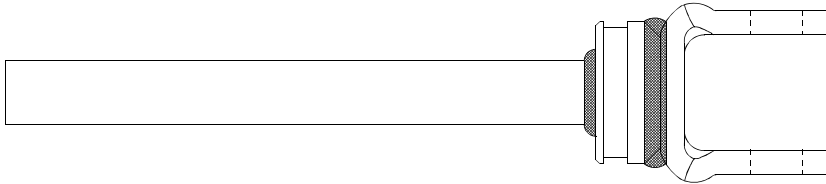
PTO COMPONENTS



OMAHA, NEBRASKA
 (402) 453-9595
 1-800-442-6009
 FAX (402) 453-1740

YOKE & BAR ASSEMBLIES

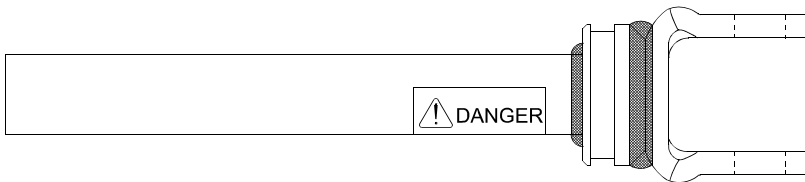
For 48" OA PTO Drivelines when assembled



Stock No.	Series No.	Shaft Size	Wt. Lbs.
188-0600	6N	3/4x7/8	8.38
188-1200	12N	1x1-1/8	13.40
188-1400	14N	1x1-1/8	12.90
188-3500	35N	1-3/16 Sq.	14.40
188-4400	44R	1-5/16 Sq.	19.10

YOKE & TUBE ASSEMBLIES

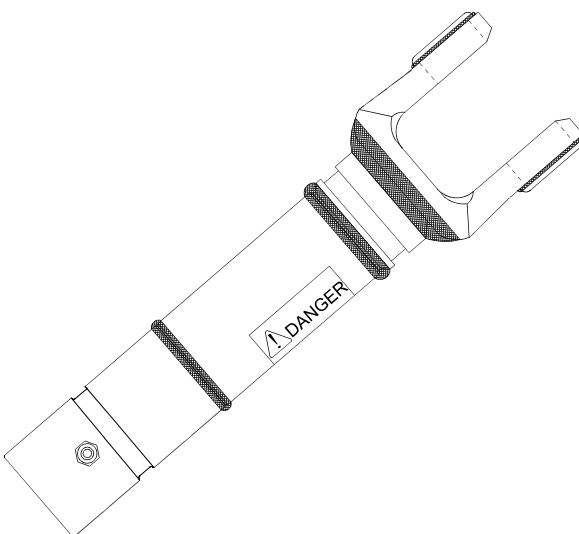
For 48" OA PTO Drivelines when assembled



Stock No.	Series No.	Tubing ID	Wt. Lbs.
186-0600	6N	3/4x7/8	5.50
186-1200	12N	1x1-1/8	7.88

YOKE & TUBE ASSEMBLIES WITH SLIP SLEEVE

For 48" OA PTO Drivelines when assembled



Stock No.	Series No.	Torque Tube Size	Slip Sleeve ID	Wt. Lbs.
185-1400	14N	2x1-13/16	1x1-1/8	9.50
185-3500	35N	2-1/8x1-7/8	1-3/16 SQ.	11.80
185-4400	44R	2-1/2x2-15/64	1-5/16 SQ.	15.80

PTO Drivelines & Components

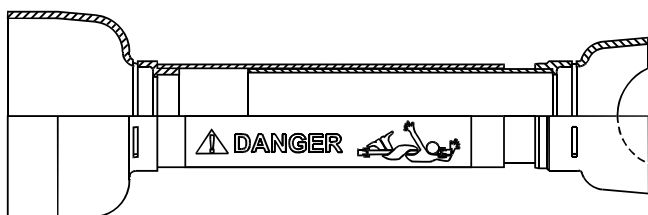


OMAHA, NEBRASKA
 (402) 453-9595
 1-800-442-6009
 FAX (402) 453-1740

SAFETY ORANGE PLASTIC GUARDS FOR UNI-SHIELDED PTO DRIVELINES

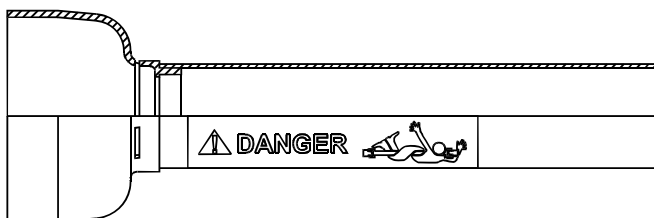
Complete guards with bells for 48" OA PTO Drivelines. For PTO Drivelines shorter than 48" in length, simply cut guards to desired length. Guards fit PTO Drivelines manufactured by G&G only. Additional sizes available by quotation. **SEND YOUR INQUIRIES.**

COMPLETE GUARD SET



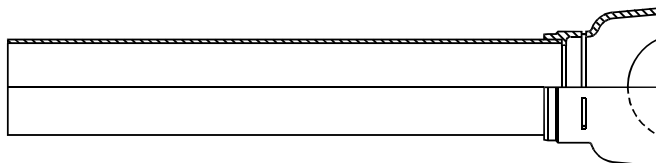
Stock No.	Fits PTO Series	PTO Dim. L	Wt. Lbs.
303-0648	6N	48	3.21
303-1248	12N-14N	48	3.23

OUTER GUARD



Stock No.	Fits PTO Series	PTO Dim. L	Wt. Lbs.
303O0648	6N	48	1.57
303O1248	12N-14N	48	1.76

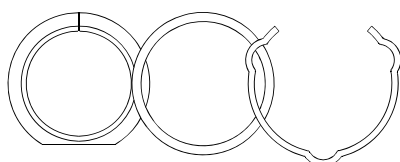
INNER GUARD WITH NOTCHED BELL



Stock No.	Fits PTO Series	PTO Dim. L	Wt. Lbs.
303N0648	6N	48	1.56
303N1248	12N-14N	48	1.53

BEARING KIT

Each kit contains a nylon bearing, thrust washer and a snap ring



Stock No.	Fits PTO Series	Wt. Lbs.
128-0600	6N	.06
128-1200	12N, 14N, 35N	.06
128-5500	44R, 55N	.13

Uni-Shield with Collar Type Snap Hitch Yoke Repair Kit shown on page 86.

PTO Drivelines & Components

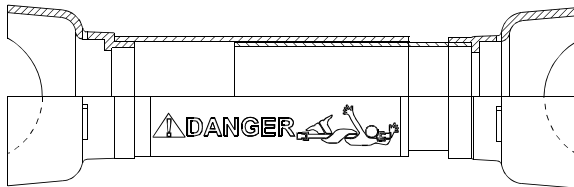
SAFETY ORANGE PLASTIC PTO GUARDS



OMAHA, NEBRASKA
(402) 453-9595
1-800-442-6009
FAX (402) 453-1740

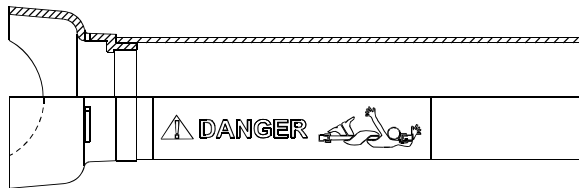
Complete guards with bells for 48" OA PTO Drivelines. For PTO Drivelines shorter than 48" in length, simply cut guards to desired length. Guards fit PTO Drivelines manufactured by G&G only. Additional sizes available by quotation. **SEND YOUR INQUIRIES.**

COMPLETE GUARD SET WITH NOTCHED BELLS



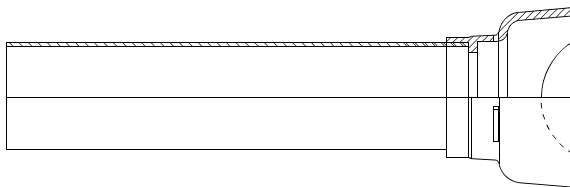
Stock No.	Fits PTO Series	PTO Dim. L	Wt. Lbs.
300-0648	6N	48	2.00
300-1248	12N-14N	48	2.20
300-3548	35N	48	2.55
300-4448	44R-55N	48	3.40

OUTER GUARD WITH NOTCHED BELL



Stock No.	Fits PTO Series	PTO Dim. L	Wt. Lbs.
300O0648	6N	48	1.24
300O1248	12N-14N	48	1.39
300O3548	35N	48	1.51
300O4448	44R-55N	48	2.09

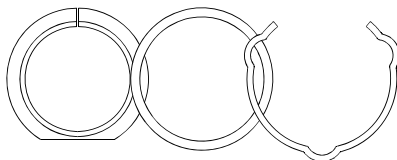
INNER GUARD WITH NOTCHED BELL



Stock No.	Fits PTO Series	PTO Dim. L	Wt. Lbs.
300I0648	6N	48	1.14
300I1248	12N-14N	48	1.17
300I3548	35N	48	1.28
300I4448	44R-55N	48	1.90

BEARING KIT

Each kit contains a nylon bearing, thrust washer and a snap ring



Stock No.	Fits PTO Series	Wt. Lbs.
128-0600	6N	.06
128-1200	12N, 14N, 35N	.06
128-5500	44R, 55N	.13

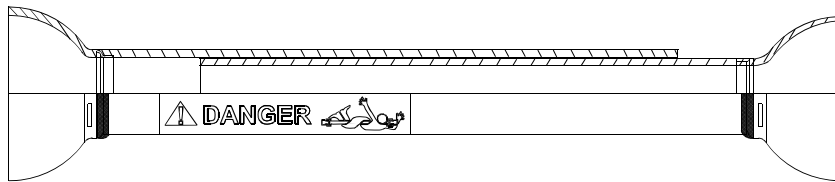


OMAHA, NEBRASKA
 (402) 453-9595
 1-800-442-6009
 FAX (402) 453-1740

METAL PTO GUARDS

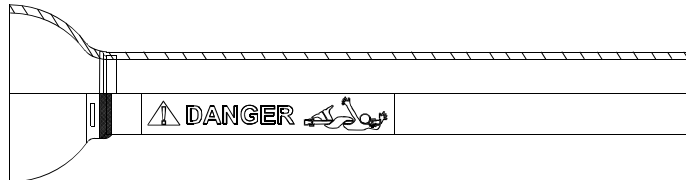
Complete guards with bells for 48" or 72" OA PTO Drivelines. For shorter length PTO Drivelines, simply cut guards to desired length. Guards fit PTO Drivelines manufactured by G&G only. Additional sizes available by quotation. **SEND YOUR INQUIRIES.**

COMPLETE GUARD SET



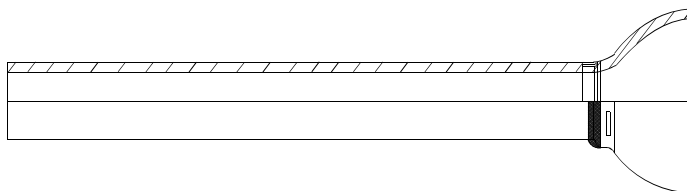
Stock No.	Fits PTO Series	PTO Dim. L	Wt. Lbs.
301-0648	6N	48	11.71
301-1248	12N-14N	48	13.12
301-3548	35N	48	14.17
301-4448	44R-55N	48	16.43
301-0672	6N	72	18.37
301-1272	12N-14N	72	21.55
301-3572	35N	72	22.52

OUTER GUARD



Stock No.	Fits PTO Series	PTO Dim. L	Wt. Lbs.
301O0648	6N	48	6.93
301O1248	12N-14N	48	7.78
301O3548	35N	48	8.21
301O4448	44R-55N	48	9.50
301O0672	6N	72	11.03
301O1272	12N-14N	72	12.93
301O3572	35N	72	13.37

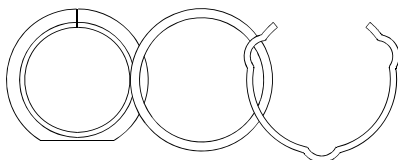
INNER GUARD



Stock No.	Fits PTO Series	PTO Dim. L	Wt. Lbs.
30110648	6N	48	4.78
30111248	12N-14N	48	5.34
30113548	35N	48	5.96
30114448	44R-55N	48	6.93
30110672	6N	72	7.34
30111272	12N-14N	72	8.62
30113572	35N	72	9.15

BEARING KIT

Each kit contains a nylon bearing, thrust washer and a snap ring



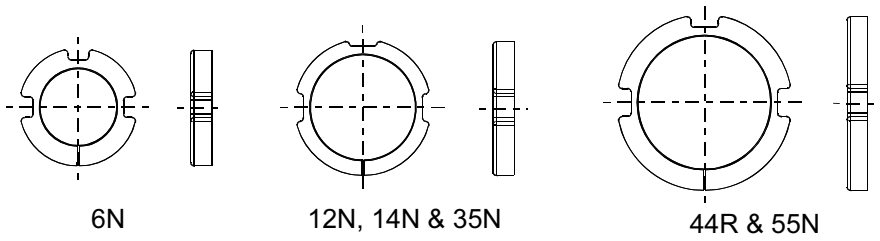
Stock No.	Fits PTO Series	Wt. Lbs.
128-0600	6N	.06
128-1200	12N, 14N, 35N	.06
128-5500	44R, 55N	.13

SHIELD STABILIZERS



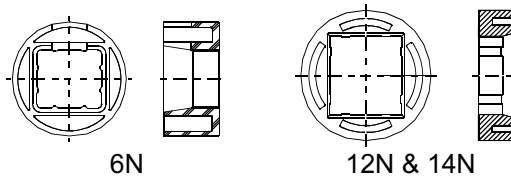
G&G Manufacturing Co. provides Shield Stabilizer Bearings for our Plastic and Metal Guards for Drivelines with and without Slip Sleeve construction.

OMAHA, NEBRASKA
(402) 453-9595
1-800-442-6009
FAX (402) 453-1740



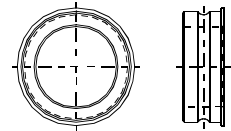
SPACER BEARINGS FOR DRIVELINES WITH SLIP SLEEVE CONSTRUCTION

Stock No.	Fits PTO Series	Wt. Oz.
129-0600	6N	.05
129-1400	12N, 14N & 35N	.05
129-4400	44R & 55N	.075



PLASTIC SHIELD STABILIZER FOR DRIVELINES WITH TORQUE TUBE CONSTRUCTION

Stock No.	Fits PTO Series	Wt. Oz.
230200600	6N	.075
23020120	12N-14N	.075



6N METAL SHIELD STABILIZER

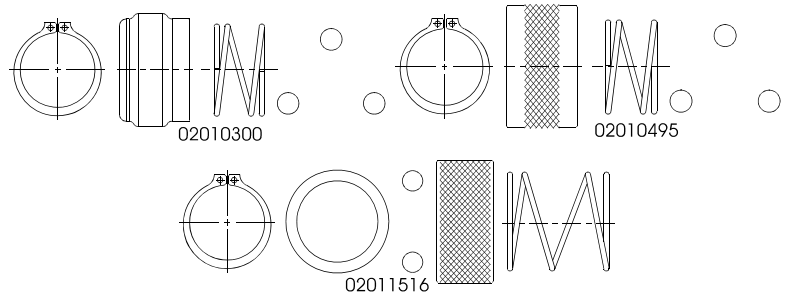
Stock No.	Fits PTO Series	Wt. Oz.
23020602	6N	5

SNAP HITCH REPAIR KITS

COLLAR SNAP HITCH REPAIR KITS

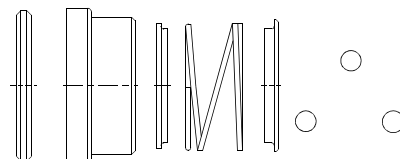
Each kit contains a snap ring, retaining shell, coiled spring and three ball bearings. **ORDER BY STOCK NUMBER.**

Stock No.	Series No.	Fits Spline Size	Wt. Lbs.
02010300	6N, 12N, 14N	1-3/8 x 6 or 21	.56
02010495	35N, 44R, 55N	1-3/8 x 6 or 21	1.00
02011516	6N & 12N	1 x 15	.75



Each kit contains end insert, retaining shell, spring flange, coiled spring, casing end and three ball bearings. **ORDER BY STOCK NUMBER.**

Stock No.	Series No.	Fits Spline Size	Wt. Lbs.
02010595	35N, 44R, 55N	1-3/4 x 20	2.50



PTO Drivelines & Components

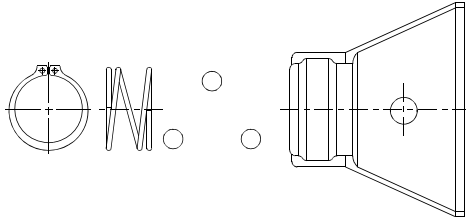


OMAHA, NEBRASKA
 (402) 453-9595
 1-800-442-6009
 FAX (402) 453-1740

SNAP HITCH REPAIR KITS

UNI-SHIELD WITH COLLAR SNAP HITCH REPAIR KIT

Each kit contains a snap ring, coiled spring, three ball bearings and plastic cone with retaining shell installed.
ORDER BY STOCK NUMBER.

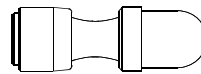


Stock No.	Series No.	Wt. Lbs.
304-0600	6N	.68
304-1200	12N	.68
304-1400	14N	.68

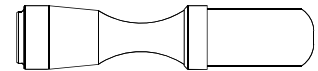
PIN SNAP HITCH REPAIR KITS

Each kit contains a spring and trailing snap hitch pin. **ORDER BY STOCK NUMBER.**
 See below for installation instructions.

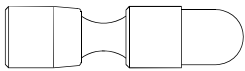
Stock No.	Series No.	Fits Spline Size	Wt. Lbs.
02010306	6N, 12N, 14N, 35N, 44R	1-3/8 x 6	.13
02010321	6N, 12N, 14N, 35N, 44R	1-3/8 x 21	.19



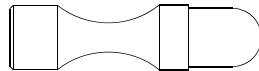
02010306



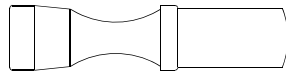
02010321



02015506



02015521



02015520

Stock No.	Series No.	Fits Spline Size	Wt. Lbs.
02015506	55N	1-3/8 x 6	.20
02015521	55N	1-3/8 x 21	.21
02015520	55N	1-3/4 x 20	.20

Manufactured in the USA by G&G Manufacturing Co.

FIELD REPLACEMENT INSTRUCTIONS FOR TRAILING SNAP HITCH PIN KITS

CAUTION: ALWAYS WEAR EYE PROTECTION WHEN PERFORMING THIS OPERATION

1. Remove the old Snap Hitch Kit pin and spring.
2. Place the yoke on a hard surface with the closed end of the pin tube down on the surface.
3. Place the pin and spring into the open end of the tube.
4. Using a 1/8" drift punch, nail set or similar tool and a medium sized hammer, deform the end of the tube in four or five places around the hole periphery while depressing the pin with your thumb. Care should be taken as not to over stake the pin, which may cause it to stick.
5. Check the crimp to make sure the pin is secured without sticking.

PTO Drivelines & Components

DANGER LABELS

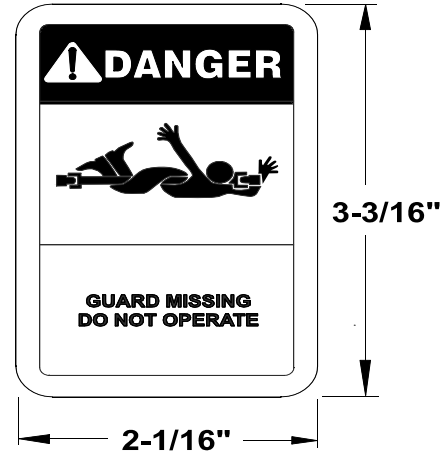
REPLACEMENT DANGER LABELS ARE AVAILABLE FREE OF CHARGE
COURTESY OF G&G MFG. CO.



OMAHA, NEBRASKA
(402) 453-9595
1-800-442-6009
FAX (402) 453-1740

Stock No. 30000000
Outside of Guard

Stock No. 30000001
Inside of Guard



CAUTION!

For maximum safety and smoothest operation, keep PTO Shaft in a closed position while under load. Keep U-Joint angles equal. Do not exceed 15 degree offset on each U-Joint.

ENGINEERING INFORMATION

STRENGTHS OF COARSE THREADED SHEAR BOLTS

Shear Bolt Grade	Shear Bolt Size	Anticipated Failure Load				Maximum Horsepower*					
		Direct Shear Lbs.	Torque in Inch/Lbs.			540 RPM			1000 RPM		
			3-1/2" Dia. Bolt Circle	4-1/4" Dia. Bolt Circle	5-1/4" Dia. Bolt Circle	3-1/2" Dia. Bolt Circle	4-1/4" Dia. Bolt Circle	5-1/4" Dia. Bolt Circle	3-1/2" Dia. Bolt Circle	4-1/4" Dia. Bolt Circle	5-1/4" Dia. Bolt Circle
2	1/4	2798	4896	5946	7345	42	51	63	78	94	117
	5/16	4372	7651	9290	11476	66	80	98	121	147	182
	3/8	6295	11017	13378	16526	94	115	142	175	212	262
	7/16	8569	14995	18209	22493	128	156	193	238	289	357
	1/2	11192	19586	23783	29379	168	204	252	311	377	466
5	1/4	4516	7903	9597	11855	68	82	102	125	152	188
	5/16	7056	12349	14995	18523	106	128	159	196	238	294
	3/8	10161	17782	21592	26673	152	185	229	282	343	423
	7/16	13830	24203	29390	36305	207	252	311	384	466	576
	1/2	18064	31612	38386	47418	271	329	406	502	609	752
8	1/4	6381	11167	13560	16751	96	116	144	177	215	266
	5/16	9971	17449	21188	26174	150	182	224	277	336	415
	3/8	14358	25127	30511	37690	215	261	323	399	484	598
	7/16	19543	34200	41529	51300	293	356	440	543	659	814
	1/2	25525	44670	54242	67004	383	465	574	709	861	1063

PTO Drivelines & Components

These figures are based on SAE Minimum Tensile Strengths. Production bolts may be twenty percent stronger than these minimum specifications. Shear strength equals seventy-five percent of the tensile strength. *Refer to Horsepower Rating Chart on pages 71 or 88.

Horsepower = $\frac{\text{Torque (LB. FT.) X RPM}}{5262}$

5262



NOTES

OMAHA, NEBRASKA
(402) 453-9595
1-800-442-6009
FAX (402) 453-1740

SECTION INDEX



OMAHA, NEBRASKA
(402) 453-9595
1-800-442-6009
FAX (402) 453-1740

Bar Weld Yokes	92
Collar Ball Snap Hitch Yokes.....	93
Collar Ball Snap Hitch Shear Yokes.....	94
Clamp Yokes.....	96
Complete Universal Joints.....	89-90
Collar Ball S/H to Bar Weld.....	89
Round to Round.....	89
Round to Tube Weld.....	89
NOVA Import Tarp U-Joints.....	90
NOVA Import Block & Pin U-Joints	90
Cross Reference Chart	88
Double Key Yoke.....	97
Hexagon Bore Yokes	96
Horsepower Rating Chart.....	83
Pin Snap Hitch Shear Yokes	95
Pin Snap Hitch Yokes	93
Repair Kits	98
Round Bore Yokes	91
Shear Pin Yokes	95
Slip Sleeves	98
Slip Sleeve Yokes.....	97
Spline Bore Yokes.....	96
Square Bore Yokes	97
Torque Tube Weld Yokes	92
Tube Weld Yokes	92
WELDAJOINTS®	99
Complete U-Joints	99
Yokes	99
WELDAJOINTS® Bushings.....	99-101
Hexagon Bore	101
Pin Snap Hitch	101
Rectangular Bore.....	101
Round Bore	99
Spline Bore.....	100
Square Bore	100
Star Bore.....	101



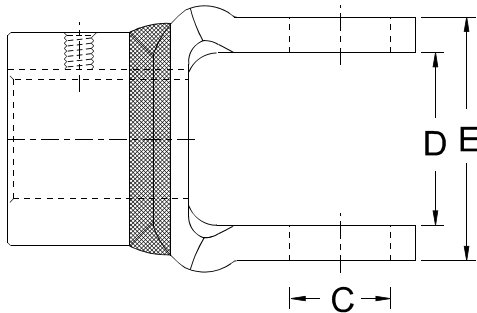
CATALOG
2017 - v1

**UPC Bar Coding is available on stock items
upon customer request.**

YOKE IDENTIFICATION & HORSEPOWER RATING CHART



OMAHA, NEBRASKA
(402) 453-9595
1-800-442-6009
FAX (402) 453-1740



$$HP = \frac{\text{Torque (LB. FT.)} \times \text{RPM}}{5252}$$

$$\text{TORQUE (LB. FT.)} = \frac{HP \times 5252}{\text{RPM}}$$

Series No.	C	D	E	Bearing Type	Torque Lb - Ft	Torque Lb - In	HP @ 540 RPM	HP @ 1000 RPM
4P	7/8	1-23/64	**	Plain	48.62	583	5	9
0675	15/16	1-1/2	2-3/16**	Needle	116.71	1400	12	22
6N	31/32	1-7/16	2-7/32**	Needle	116.71	1400	12	22
12N	1-1/16	1-13/16	**	Needle	272.33	3268	28	52
14N	1-1/8	**	2-29/32	Needle	350.13	4202	36	66
35N	1-1/4	**	3-31/64	Needle	632.19	7586	65	120
44R	1-5/16	2-51/64	**	Needle	875.33	10504	90	166
55N	1-17/32	**	4-5/8	Needle	1069.85	12838	110	203

** Not a critical dimension for location of snap ring.

SUGGESTED MAXIMUM NORMAL OPERATING ANGLES:

15° Operating Angle @ 540 RPM

7° Operating Angle @ 1000 RPM

CROSS REFERENCE CHART

G&G	Rockwell Standard	Weasler Engineering	Neapco	Spicer	Walterscheid AgMaster	G&G Repair Kit No.
4P						302-0400
	CPL6R-40	200-0600	1-1475		5-92X	
6N	L6N	L6W/6RW 6	L600			302-0600
	CPL12R	200-1200	1-1275		5-242X	
12N	L12N	12RW 12	1200	1140	1140	302-1200
	CPL14R	200-1400	1-2075		5-129X	
14N	L14N	14	2000	1240	1240	302-1400
	CP35R	200-3500	2-2275		5-243X	
35N	35N	DN/35NW 35	2200	1340	1340	302-3500
	CP44R	200-4400	3-0044			
44R	44R	44 44R	N44	1440		302-4400
	CP55N	200-5500	3-0045			
55N	55N	55 55R	N55			302-5500
0675		200-0675				302-0675
1875		0675				302-1875



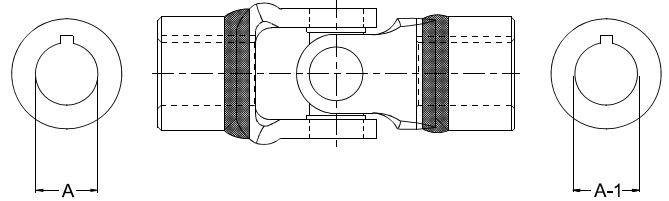
OMAHA, NEBRASKA
 (402) 453-9595
 1-800-442-6009
 FAX (402) 453-1740

COMPLETE UNIVERSAL JOINTS

ROUND TO ROUND

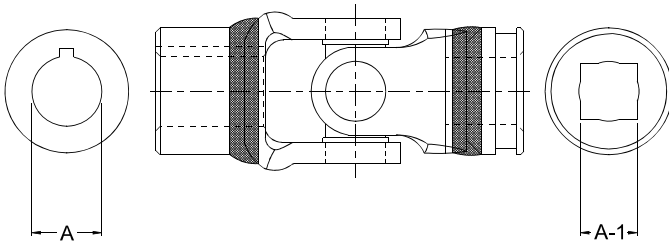
Round Bore Yokes are furnished with standard keyway and setscrew.

Stock No.	Series No.	Bore A	Bore A-1	Wt. Lbs.
193-0416	4P	1 Round	1 Round	2.26
193-0612	6N	3/4 Round	3/4 Round	2.56
193-0616	6N	1 Round	1 Round	3.13
193-1216	12N	1 Round	1 Round	5.19
193-1220	12N	1-1/4 Round	1-1/4 Round	5.00



ROUND TO TUBE WELD

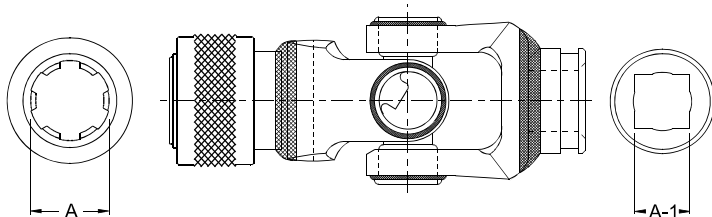
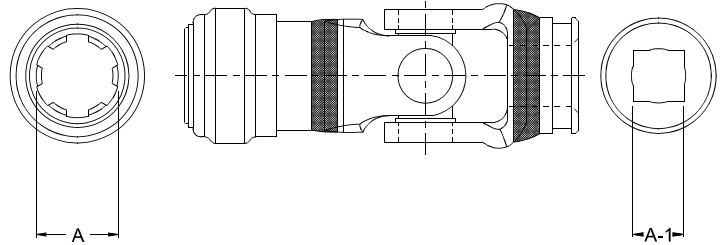
Round Bore Yokes are furnished with standard keyway and setscrew.



Stock No.	Series No.	Bore A	Bore A-1	Wt. Lbs.
190-0616	6N	1 Round	1 x 1-1/8 Rect.	2.94
190-1216	12N	1 Round	1-9/32 x 1-13/32 Rect.	4.69

COLLAR BALL SNAP HITCH TO BAR WELD

Stock No.	Series No.	Bore A	Bore A-1	Wt. Lbs.
187-0600	6N	1-3/8 x 6 Spline	3/4 x 7/8 Rect.	3.38
187-1200	12N	1-3/8 x 6 Spline	1 x 1-1/8 Rect.	4.25
187-1400	14N	1-3/8 x 6 Spline	1 x 1-1/8 Rect.	6.00



Stock No.	Series No.	Bore A	Bore A-1	Wt. Lbs.
187-3500	35N	1-3/8 x 6 Spline	1-3/16 Square	7.38

Dimensions for the yokes used in these Universal Joint assemblies can be found on pages 91-93.

Tooling is available to produce a variety of 6N through 55N series Universal Joints combinations, including Back-to-Back Universal Joints.

SEND YOUR INQUIRIES

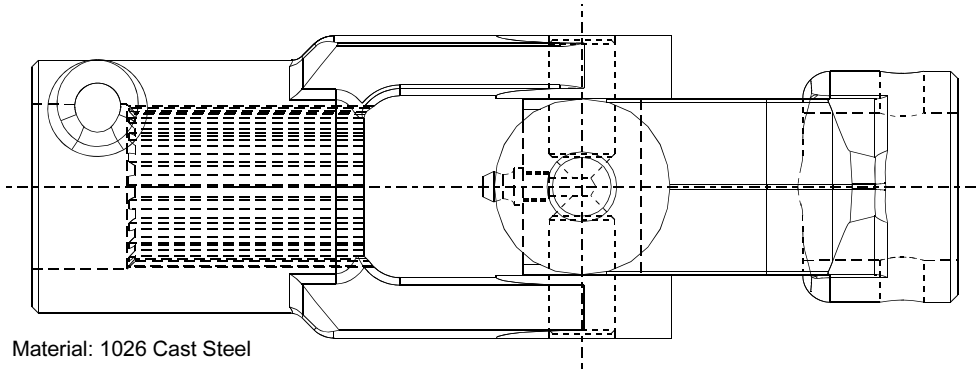
Manufactured in the USA by G&G Manufacturing Co.

TARP U-JOINTS NOVA IMPORT



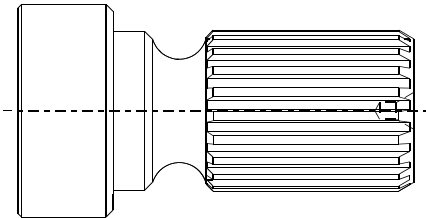
OMAHA, NEBRASKA
(402) 453-9595
1-800-442-6009
FAX (402) 453-1740

1 3/8 - 21 Spline Bore to 1 1/4 Round Bore Tarp U-Joint Zinc Plated.



Material: 1026 Cast Steel

1 3/8 - 21 Splined Stub Shaft. Zinc Plated.



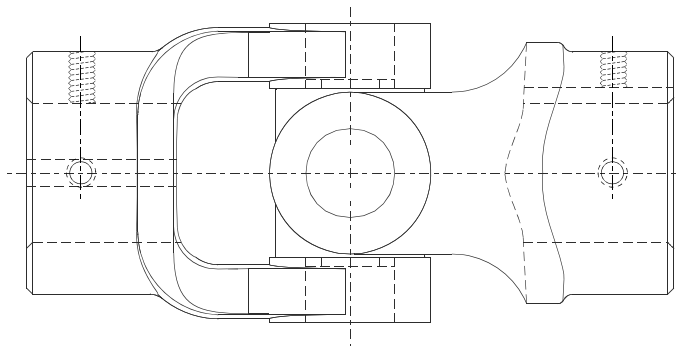
Material: 1215

NOVA Import Stock No.	Description	Wt. Lbs.
UJY5	1 3/8 - 21 Spline x 1 1/4 Round	5.25
UJY5-E	1 3/8 - 21 Spline Shaft	1.45
UJY5-U	1-3/8-21 Spline Stub Shaft	1.45

Maximum Static Torque: 100 lb ft.

BLOCK & PIN U-JOINTS NOVA IMPORT

1" Round Bore to 1" Round Bore Block & Pin U-Joint .
Round Bore Yokes are furnished with 1/4 x 1/8 Keyway & (2) 5/16-18 Set Screws.



Material: 1025 Cast Steel

NOVA Import Stock No.	Bore A	Bore B	Wt. Lbs.
UJPB-1	1	1	1.55

Other Bore Sizes are available by Quotation.

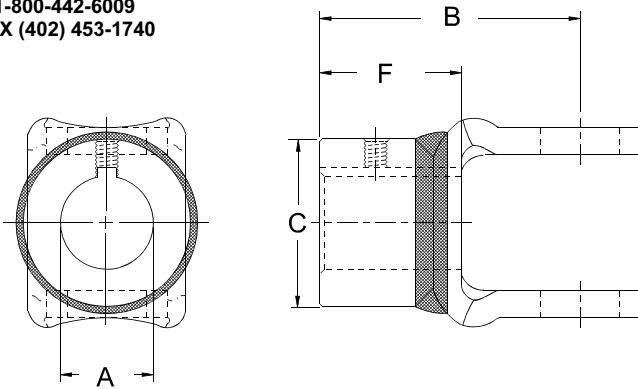
Maximum Static Torque: 100 lb ft.

THESE U-JOINTS ARE INTENDED FOR MANUAL USE ONLY



OMAHA, NEBRASKA
 (402) 453-9595
 1-800-442-6009
 FAX (402) 453-1740

ROUND BORE YOKES



Round Bore yokes furnished with standard keyway and setscrew, except where noted.

4P, 6N, 12N, 14N, 35N & 44R series made from Cold Formed Carbon Steel

0675 Series Yokes are available by quotation.

Stock No.	Series No.	A	B	C	F	Wt. Lbs.
184-0410	4P	5/8	2-7/16	1-3/4	1-1/4	1.13
184-0412	4P	3/4	2-7/16	1-3/4	1-1/4	1.00
184-0414	4P	7/8	2-7/16	1-3/4	1-1/4	1.00
184-0416	4P	1	2-7/16	1-3/4	1-1/4	.88
184-0610	6N	5/8	2-1/2	2-1/8	1-7/64	1.46
184-0612	6N	3/4	2-1/2	2-1/8	1-7/64	1.38
18420614	6N	7/8++	2-1/2	2-1/8	1-7/64	1.38
18440614	6N	7/8*	2-1/2	2-1/8	1-7/64	1.38
184-0615	6N	15/16	2-1/2	2-1/8	1-7/64	1.31
184-0616	6N	1	2-1/2	2-1/8	1-7/64	1.28
184-0618	6N	1-1/8	2-1/2	2-1/8	1-7/64	1.21
184-0620	6N	1-1/4	2-1/2	2-1/8	1-7/64	1.15
18450620	6N	1-1/4**	2-1/2	2-1/8	1-7/64	1.15
18421214	12N	7/8++	3-1/2	2-1/8	1-29/32	2.24
184-1216	12N	1	3-1/2	2-1/8	1-29/32	2.15
184-1218	12N	1-1/8	3-1/2	2-1/8	1-29/32	2.23
184-1220	12N	1-1/4	3-1/2	2-1/4	1-29/32	2.18
18451220	12N	1-1/4**	3-1/2	2-1/4	1-29/32	2.18
184-1222	12N	1-3/8	3-1/2	2-1/4	1-29/32	2.03

Stock No.	Series No.	A	B	C	F	Wt. Lbs.
184-1416	14N	1	3-1/2	2-1/4	1-41/64	2.65
184-1418	14N	1-1/8	3-1/2	2-1/4	1-41/64	2.56
184-1420	14N	1-1/4	3-1/2	2-1/4	1-41/64	2.43
18451420	14N	1-1/4**	3-1/2	2-1/2	1-41/64	2.43
184-1422	14N	1-3/8	3-1/2	2-1/2	1-41/64	2.33
184-1423	14N	1-7/16	3-1/2	2-1/2	1-41/64	2.59
184-1424	14N	1-1/2	3-1/2	2-1/2	1-41/64	2.50
184-3516	35N	1	4-5/32	2-5/16	2-9/64	3.65
184-3518	35N	1-1/8	4-5/32	2-5/16	2-9/64	3.53
184-3520	35N	1-1/4	4-5/32	2-5/16	2-9/64	3.35
18423520	35N	1-1/4++	4-5/32	2-5/16	2-9/64	3.33
184-3522	35N	1-3/8	4-5/32	2-1/2	2-9/64	3.24
18423522	35N	1-3/8++	4-5/32	2-1/2	2-9/64	3.15
184-3523	35N	1-7/16	4-5/32	2-1/2	2-9/64	3.15
184-3524	35N	1-1/2	4-5/32	2-1/2	2-9/64	3.37
184-3526	35N	1-5/8	4-5/32	2-1/2	2-9/64	3.14
184-3528	35N	1-3/4	4-5/32	3	2-9/64	4.12
184-4422	44R	1-3/8	4-1/8	3	1-11/16	5.03
184-4424	44R	1-1/2	4-1/8	3	1-11/16	4.93
184-4426	44R	1-5/8	4-1/8	3	1-11/16	4.93
184-4428	44R	1-3/4	4-1/8	3	1-11/16	4.65
184-5516	55N	1^	5-9/16	2-7/8	2-7/8	8.56
184-5524	55N	1-1/2	5-9/16	2-7/8	2-7/8	8.03
184-5528	55N	1-3/4	5-9/16	3-3/4	2-7/8	7.50
184-5532	55N	2	5-9/16	3-3/4	2-7/8	6.90

MADE IN THE USA

PROVEN PERFORMANCE SINCE 1975

MILLIONS IN USE

COLD FORMED CARBON STEEL YOKES ARE TESTED TO BE AS STRONG AS FORGED YOKES

*Indicates 1/4" keyway **Indicates 5/16" keyway
 ^^Indicates plain bore (no keyway)
 ++Indicates Double Keyway. See page 97 for keyway sizes.

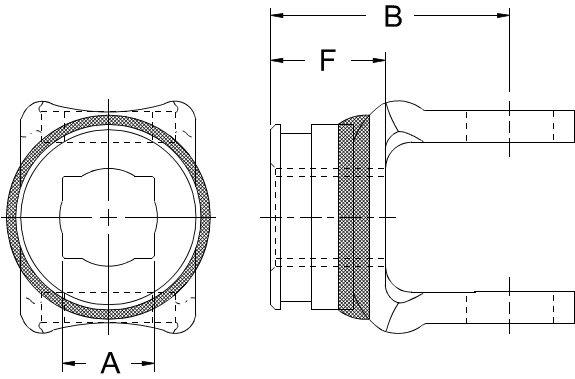
Universal Joints and Yokes

BAR WELD AND TUBE WELD YOKES



OMAHA, NEBRASKA
(402) 453-9595
1-800-442-6009
FAX (402) 453-1740

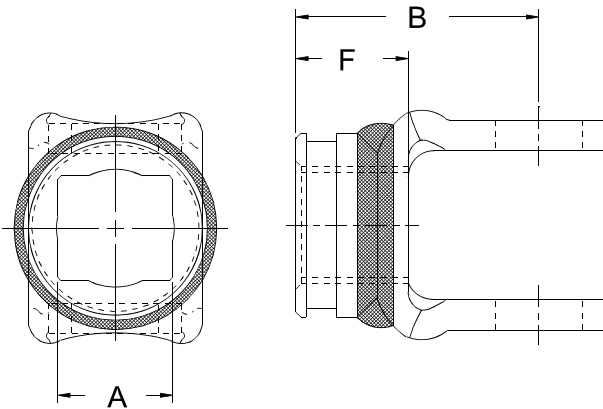
BAR WELD YOKES



Stock No.	Series No.	A	B	F	Wt. Lbs.
177-0600	6N	3/4 x 7/8 Rect.	2-37/64	1-3/16	1.21
177-1200	12N	1 x 1-1/8 Rect.	2-31/32	1-3/8	1.71
177-1400	14N	1 x 1-1/8 Rect.	3-5/16	1-15/32	2.15
177-3500	35N	1-3/16 Square	3-51/64	1-25/32	2.78
177-4400	44R	1-5/16 Square	4-1/8	1-11/16	4.63
177-5500*	55N	1-3/8 Square	5-9/16	2-13/16	7.18
177-552720	55N	1-11/16-20 Spline	5-9/16	27/8	7.20

Machined to be a press fit on shaft.

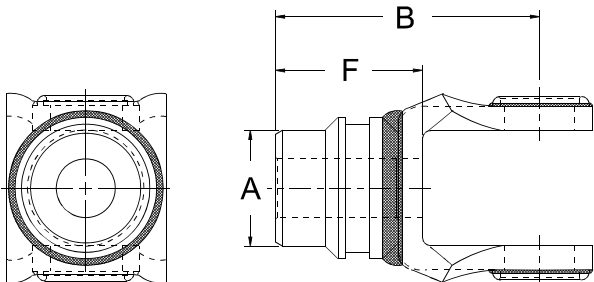
TUBE WELD YOKES



Stock No.	Series No.	A	B	F	Wt. Lbs.
180-0600	6N	1 x 1-1/8 Rect.	2-37/64	1-3/16	1.03
180-1200	12N	1-9/32 x 1-13/32 Rect.	2-31/32	1-3/8	1.40
180-1400	14N	1-9/32 x 1-13/32 Rect.	3-5/16	1-15/32	1.90

Machined to be a press fit on tube.

TORQUE TUBE WELD YOKES



Stock No.	Series No.	A	B	F	Wt. Lbs.
181-0600	6N	1-15/32 Round	3-9/16	2-3/16	1.71
181-1200	12N	1-13/16 Round	4-3/32	2-1/2	2.59
181-1400	14N	1-13/16 Round	4-13/64	2-11/32	2.87
181-3500	35N	1-7/8 Round	4-45/64	2-11/16	3.84
181-4400	44R	2-15/64 Round	5-5/16	2-7/8	4.94
181-5500*	55N	2-15/64 Round	5-9/16	2-13/16	7.18

Machined to be a press fit on torque tube.

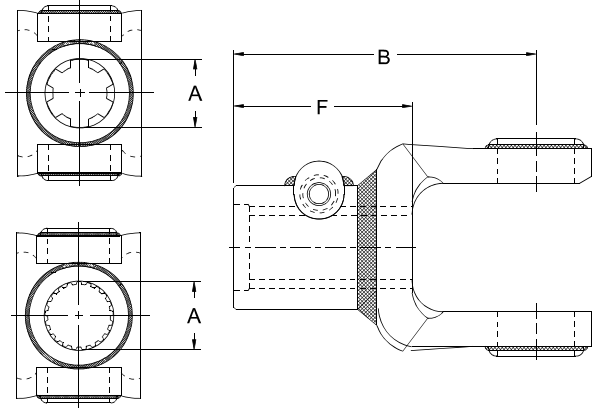
* Stock numbers 177-5500 and 181-5500 are machined to be interchangeable.



OMAHA, NEBRASKA
 (402) 453-9595
 1-800-442-6009
 FAX (402) 453-1740

SNAP HITCH YOKES

PIN SNAP HITCH YOKES

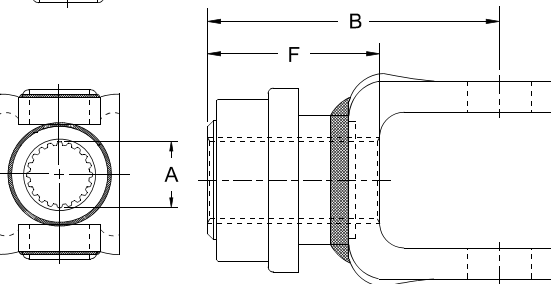
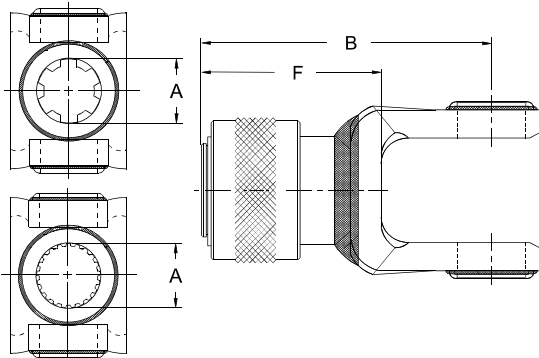
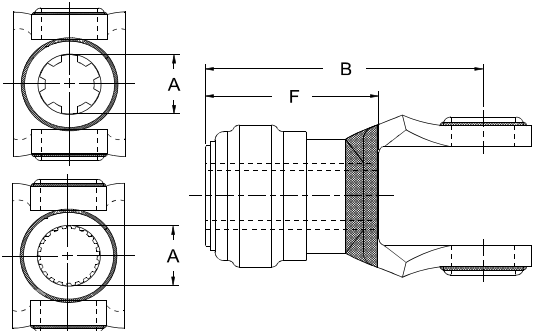


*
*

* Hex Bore Style

Stock No.	Series No.	A	B	F	Wt. Lbs.
182-0606	6N	1-3/8 x 6 Spline	4-1/64	2-5/8	1.56
182-0621	6N	1-3/8 x 21 Spline	4-1/64	2-5/8	1.94
182-1206	12N	1-3/8 x 6 Spline	4-7/32	2-5/8	1.88
182-1221	12N	1-3/8 x 21 Spline	4-7/32	2-5/8	2.25
182-1406	14N	1-3/8 x 6 Spline	4-7/64	2-1/4	2.41
182-1421	14N	1-3/8 x 21 Spline	4-7/64	2-1/4	2.34
182-3506	35N	1-3/8 x 6 Spline	4-57/64	2-7/8	3.69
182-3521	35N	1-3/8 x 21 Spline	4-57/64	2-7/8	2.83
182H3518	35N	1-1/8 Hex Spline	4-4/5	2-7/8	3.30
182H3520	35N	1-1/4 Hex Spline	4-4/5	2-7/8	3.23
182-4406	44R	1-3/8 x 6 Spline	4-15/16	2-1/2	5.69
182-4421	44R	1-3/8 x 21 Spline	4-15/16	2-1/2	5.38
182-5506	55N	1-3/8 x 6 Spline	5-13/16	3-5/8	6.63
182-5521	55N	1-3/8 x 21 Spline	5-13/16	3-5/8	6.38
02010306	6N, 12N, 14N, 35N & 44R Repair Kit			6 Spline	
02010321	6N, 12N, 14N, 35N & 44R Repair Kit			21 Spline	
02015506	55N Repair Kit			6 Spline	
02015521	55N Repair Kit			21 Spline	

COLLAR BALL SNAP HITCH YOKES



Stock No.	Series No.	A	B	F	Wt. Lbs.
18230606	6N	1-3/8 x 6 Spline	4-1/2	3-7/64	2.50
18230615	6N	1 x 15 Spline	3-41/64	2-1/4	2.26
18230621	6N	1-3/8 x 21 Spline	4-1/2	3-7/64	2.37
18231206	12N	1-3/8 x 6 Spline	4-11/16	3-3/32	2.87
18231215	12N	1 x 15 Spline	3-27/32	2-1/4	2.73
18231221	12N	1-3/8 x 21 Spline	4-11/16	3-3/32	2.75
18231406	14N	1-3/8 x 6 Spline	4-61/64	3-3/32	3.31
18231421	14N	1-3/8 x 21 Spline	4-61/64	3-3/32	3.18
02010300	6N, 12N & 14N Repair Kit		6 & 21 Spline		
02011516	6N & 12N Repair Kit		15 Spline		

Stock No.	Series No.	A	B	F	Wt. Lbs.
18233506	35N	1-3/8 x 6 Spline	5-19/64	3-21/64	4.00
18233521	35N	1-3/8 x 21 Spline	5-19/64	3-21/64	3.87
18234406	44R	1-3/8 x 6 Spline	5-13/16	3-3/8	5.37
18234421	44R	1-3/8 x 21 Spline	5-13/16	3-3/8	5.25
02010495	35N & 44R Repair Kit		6 & 21 Spline		

Stock No.	Series No.	A	B	F	Wt. Lbs.
18233520	35N	1-3/4 x 20 Spline	5-3/32	2-31/32	4.00
18234420	44R	1-3/4 x 20 Spline	5-35/64	3-5/32	6.00
18235520	55N	1-3/4 x 20 Spline	6-25/64	3-3/4	8.00
02010595	35N, 44R & 55N Repair Kit		20 Spline		

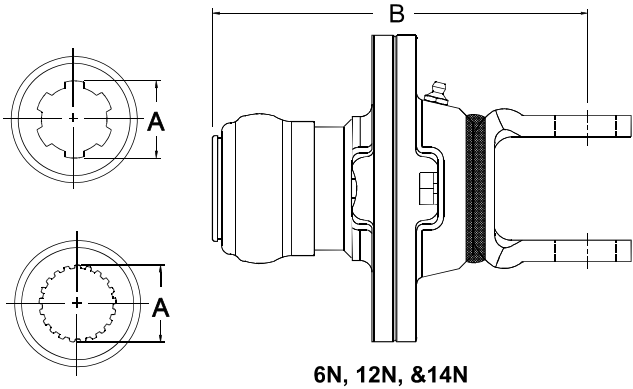
Manufactured in the USA by G&G Manufacturing Co.

BALL BEARING TYPE SHEAR YOKES

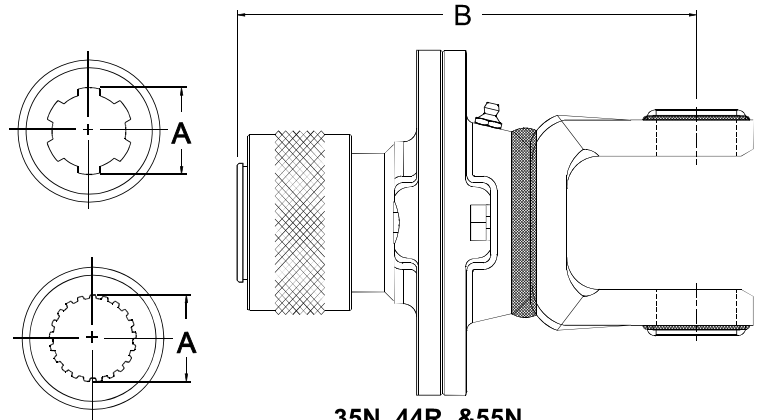


OMAHA, NEBRASKA
(402) 453-9595
1-800-442-6009
FAX (402) 453-1740

COLLAR BALL SNAP HITCH SHEAR YOKES

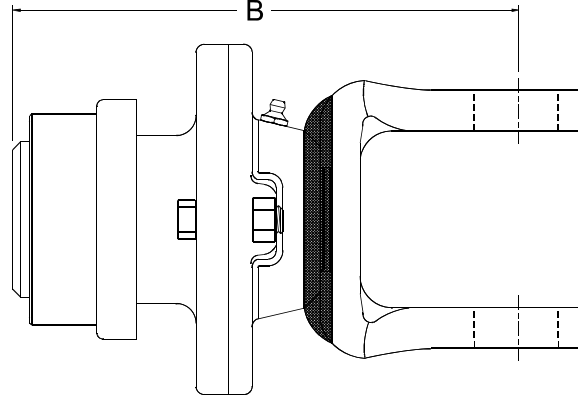
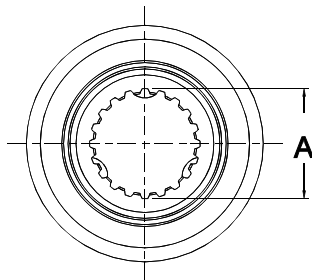


6N, 12N, & 14N



35N, 44R, & 55N

495 STYLE



595 STYLE

Stock No.	Series No.	A	B	Shear Pin Dia.
495-0606	6N	1-3/8 x 6 Spline	6-27/64	1/4
495-1206	12N	1-3/8 x 6 Spline	6-5/8	5/16
495-1406	14N	1-3/8 x 6 Spline	6-29/32	5/16
495-1421	14N	1-3/8 x 21 Spline	6-29/32	5/16
495-3506	35N	1-3/8 x 6 Spline	7-13/64	3/8
495-3521	35N	1-3/8 x 21 Spline	7-13/64	3/8
495-4406	44R	1-3/8 x 6 Spline	7-11/16	7/16
495-4421	44R	1-3/8 x 21 Spline	7-11/16	7/16
495-5506	55N	1-3/8 x 6 Spline	8-5/8	7/16
495-5521	55N	1-3/8 x 21 Spline	8-5/8	7/16
02010300	6N, 12N, & 14N Repair Kit			6 Spline
02010495	35N, 44R & 55N Repair Kit			21 Spline

6N, 12N, & 14N Shear bolts are located on a 3-1/2" bolt circle. 35N, 44R & 55N Shear bolts are located on a 4-1/4" bolt circle. Shear unit is available with 1/4", 5/16", 3/8", 7/16", or 1/2" shear bolts. Grade 2, 5 & 8 shear bolts are available. See page 87 for shear bolt strength.

495 & 595 Shear Yokes can be used on the tractor or implement end of PTO Drivelines. Recommended for use where equipment is operated in uneven terrain or PTO Driveline is compressing or extending while under load.

Stock No.	Series No.	A	B	Shear Pin Dia.
595-3520	35N	1-3/4 x 20 Spline	7-3/8	3/8
595-4420	44R	1-3/4 x 20 Spline	7-7/8	7/16
595-5520	55N	1-3/4 x 20 Spline	8-13/16	7/16
02010595	35N, 44R & 55N Repair Kit			20 Spline

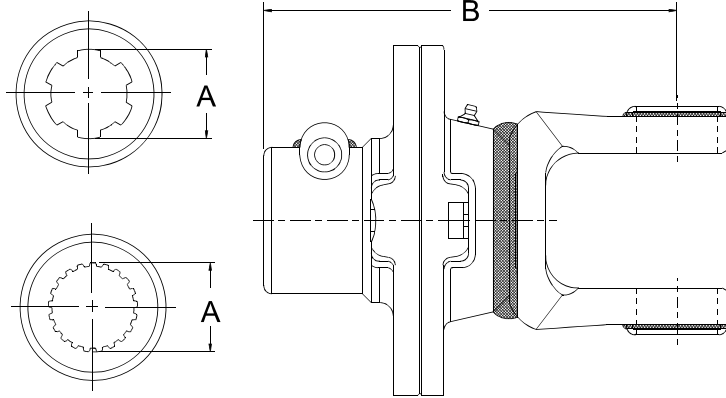
NOTE: 495 & 595 Shear Yokes are shown without shields in place. When in use, protective shielding must meet ASAE Standard S318.8 Section 7.



OMAHA, NEBRASKA
 (402) 453-9595
 1-800-442-6009
 FAX (402) 453-1740

BALL BEARING TYPE SHEAR YOKES

PIN SNAP HITCH SHEAR YOKES



195 STYLE

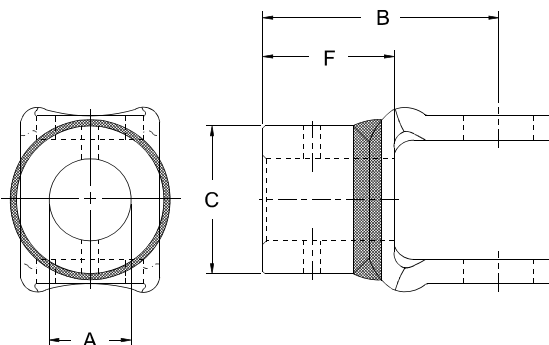
6N, 12N & 14N Shear bolts are located on a 3-1/2" bolt circle. 35N, 44R & 55N Shear bolts are located on a 4-1/4" bolt circle. Standard shear bolts are grade 2. Other size or grade shear bolts are available by quotation. See page 87 for shear bolt strengths.

195 Shear Yokes can be used on tractor or implement end of any PTO Driveline.

NOTE: 195 Shear Yoke is shown without shields in place. When in use, protective shielding must meet ASAE Standard S318.8 Section 7.

Stock No.	Series No.	A	B	Shear Pin Dia.	Wt. Lbs.
195-0606	6N	1-3/8 x 6 Spline	5-41/64	1/4	5.06
195-1206	12N	1-3/8 x 6 Spline	5-27/32	5/16	5.46
195-1406	14N	1-3/8 x 6 Spline	6-1/8	5/16	5.90
195-1421	14N	1-3/8 x 21 Spline	6-1/8	5/16	5.53
195-3506	35N	1-3/8 x 6 Spline	6-7/16	3/8	9.12
195-3521	35N	1-3/8 x 21 Spline	6-7/16	3/8	8.75
195-4406	44R	1-3/8 x 6 Spline	6-7/8	7/16	10.53
195-4421	44R	1-3/8 x 21 Spline	6-7/8	7/16	10.16
195-5506	55N	1-3/8 x 6 Spline	7-59/64	7/16	12.40
195-5521	55N	1-3/8 x 21 Spline	7-59/64	7/16	12.03
02010306	6N, 12N, 14N, 35N, 44R, & 55N Repair Kit			6 Spline	
02010321	6N, 12N, 14N, 35N, 44R & 55N Repair Kit			21 Spline	

SHEAR PIN YOKES



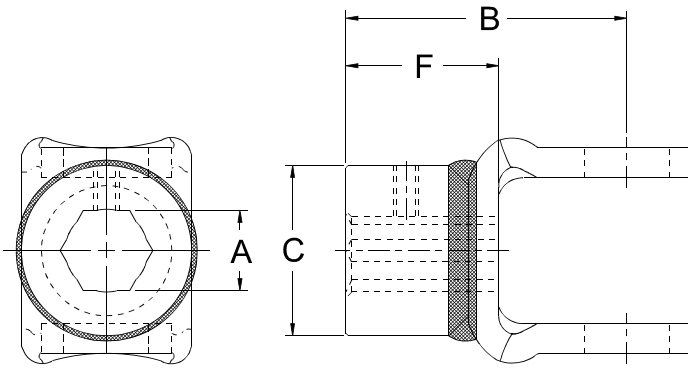
Stock No.	Series No.	A	B	C	F	Shear Hole Size	Wt. Lbs.
196-0616	6N	1	2-1/2	2-1/8	1-7/64	1/4	1.27
196-0618	6N	1-1/8	2-1/2	2-1/8	1-7/64	1/4	1.21
196-0620	6N	1-1/4	2-1/2	2-1/8	1-7/64	1/4	1.14
196-1216	12N	1	3-1/2	2-1/8	1-29/32	1/4	2.28
196-1218	12N	1-1/8	3-1/2	2-1/8	1-29/32	1/4	2.15
196-1220	12N	1-1/4	3-1/2	2-1/4	1-29/32	1/4	2.10
196-1222	12N	1-3/8	3-1/2	2-1/4	1-29/32	1/4	1.96
196-1418	14N	1-1/8	3-1/2	2-1/4	1-41/64	1/4	2.47
196-1420	14N	1-1/4	3-1/2	2-1/4	1-41/64	1/4	2.38
196-1422	14N	1-3/8	3-1/2	2-1/2	1-41/64	1/4	2.31
196-1424	14N	1-1/2	3-1/2	2-1/2	1-41/64	1/4	2.31
196-3520	35N	1-1/4	4-5/32	2-5/16	2-9/64	1/4	3.43
196-3522	35N	1-3/8	4-5/32	2-1/2	2-9/64	1/4	3.25
196-3524	35N	1-1/2	4-5/32	2-1/2	2-9/64	1/4	3.40

HEX & SPLINE BORE YOKES



OMAHA, NEBRASKA
 (402) 453-9595
 1-800-442-6009
 FAX (402) 453-1740

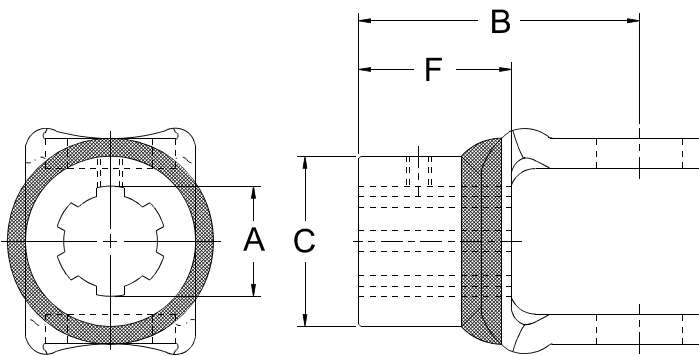
HEX BORE YOKES



Stock No.	Series No.	A	B	C	F	Wt. Lbs.
197-0614	6N	7/8	2-1/2	2-1/8	1-7/64	1.25
197-0616	6N	1	2-1/2	2-1/8	1-7/64	1.21
197-0618	6N	1-1/8	2-1/2	2-1/8	1-7/64	1.19
197-1214	12N	7/8	3-1/2	2-1/8	1-29/32	2.26
197-1216	12N	1	3-1/2	2-1/8	1-29/32	2.23
197-1218	12N	1-1/8	3-1/2	2-1/8	1-29/32	2.20
197-1416	14N	1	3-1/2	2-1/2	1-41/64	2.40
197-1418	14N	1-1/8	3-1/2	2-1/2	1-41/64	2.30
197-1420	14N	1-1/4	3-1/2	2-1/2	1-41/64	2.12
197-3518	35N	1-1/8	4-5/32	2-1/2	2-9/64	3.15
197-3520	35N	1-1/4	4-5/32	2-1/2	2-9/64	3.00

Furnished with Set Screw

SPLINE BORE YOKES



Stock No.	Series No.	A	B	C	F	Wt. Lbs.
192-0618	6N	1-1/8 x 6	2-1/2	2-1/8	1-7/64	1.19
192-0622	6N	1-3/8 x 6	2-1/2	2-1/8	1-7/64	1.19
192-1218	12N	1-1/8 x 6	3-1/2	2-1/8	1-29/32	2.14
192-1222	12N	1-3/8 x 6	3-1/2	2-1/8	1-29/32	1.90
192-1221	12N	1-3/8 x 21	3-1/2	2-1/8	1-29/32	1.87
192-1418	14N	1-1/8 x 6	3-1/2	2-1/2	1-41/64	2.87
192-1420	14N	1-1/4 x 6	3-1/2	2-1/2	1-41/64	2.70
192-1422	14N	1-3/8 x 6	3-1/2	2-1/2	1-41/64	2.62
192-1421	14N	1-3/8 x 21	3-1/2	2-1/2	1-41/64	2.60
192-3522	35N	1-3/8 x 6	4-5/32	2-1/2	2-9/64	3.60
192-3521	35N	1-3/8 x 21	4-5/32	2-1/2	2-9/64	3.56

Furnished with Set Screw

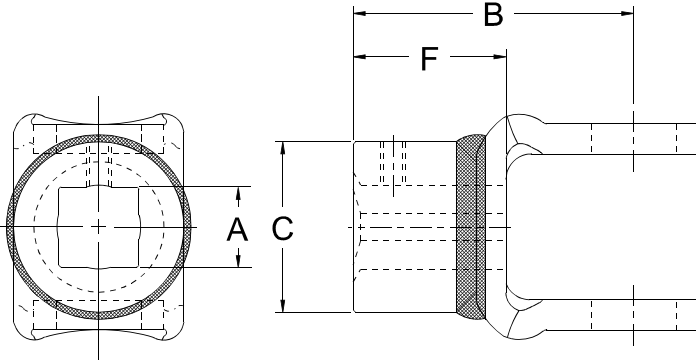
Other Sizes Available By Quotation



OMAHA, NEBRASKA
 (402) 453-9595
 1-800-442-6009
 FAX (402) 453-1740

SQUARE BORE, DOUBLE KEY and SLIP SLEEVE YOKES

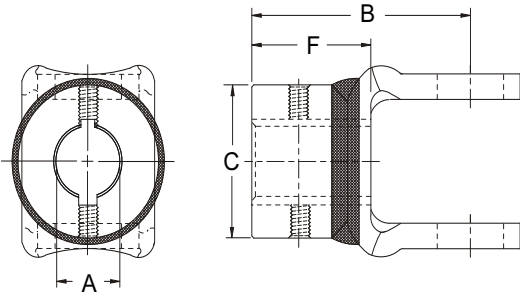
SQUARE BORE YOKES



Stock No.	Series No.	A	B	C	F	Wt. Lbs.
183-0612	6N	3/4	2-1/2	2-1/8	1-7/64	1.34
183-0614	6N	7/8	2-1/2	2-1/8	1-7/64	1.27
183-0616	6N	1	2-1/2	2-1/8	1-7/64	1.20
183-0618	6N	1-1/8	2-1/2	2-1/8	1-7/64	1.11
183-0620	6N	1-1/4	2-1/2	2-1/8	1-7/64	1.02
183-1214	12N	7/8	3-1/2	2-1/8	1-29/32	2.18
183-1216	12N	1	3-1/2	2-1/8	1-29/32	2.13
183-1218	12N	1-1/8	3-1/2	2-1/8	1-29/32	1.90
183-1220	12N	1-1/4	3-1/2	2-1/8	1-29/32	1.70
183-1414	14N	7/8	3-1/2	2-1/4	1-41/64	2.55
183-1418	14N	1-1/8	3-1/2	2-1/4	1-41/64	2.30
183-3516	35N	1	4-5/32	2-5/16	2-9/64	3.48
183-3518	35N	1-1/8	4-5/32	2-5/16	2-9/64	3.32
183-3519	35N	1-3/16	4-5/32	2-5/16	2-9/64	3.10
183-3520	35N	1-1/4	4-5/32	2-1/2	2-9/64	3.45
183-3524	35N	1-1/2	4-5/32	2-1/2	2-9/64	3.04

Furnished with set screw

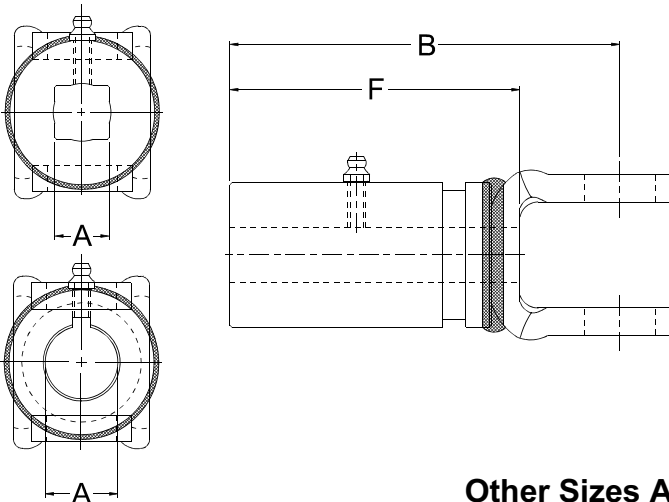
DOUBLE KEYED YOKES



Stock No.	Series No.	A	B	C	F	Keyway	Wt. Lbs.
18420614	6N	7/8 RND	2-1/2	2-1/8	1-7/64	3/16 & 1/4	1.32
18421214	12N	7/8 RND	3-1/2	2-1/8	1-29/32	3/16 & 1/4	2.24
18423520	35N	1 1/4 RND	4-5/32	2-5/16	2-9/64	1/4 & 5/16	3.33
18423522	35N	1 3/8 RND	4-5/32	2-1/2	2-9/64	5/16 & 3/8	3.15

Furnished with one set screw over each keyway

SLIP SLEEVE YOKES



Stock No.	Series No.	A	B	F	Wt. Lbs.
191-0614	6N	7/8 Rd. 1/4 KW	5-3/8	4	3.34
191-0616	6N	1 Rd. 1/4 KW	5-3/8	4	3.50
19100612	6N	3/4 Square	5-3/8	4	2.71
19100614	6N	7/8 Square	5-3/8	4	3.12
19100615	6N	1 x 15 Spline	5-3/8	4	3.15
19100616	6N	3/4 x 7/8 Rect.	5-3/8	4	3.00
19101216	12N	1 Square	5-19/32	4	3.01
191-1216	12N	1 Rd. 1/4 KW	5-19/32	4	3.27
19101215	12N	1 x 15 Spline	5-19/32	4	3.39
191H1218	12N	1-1/8 Hex	5-19/32	4	2.92

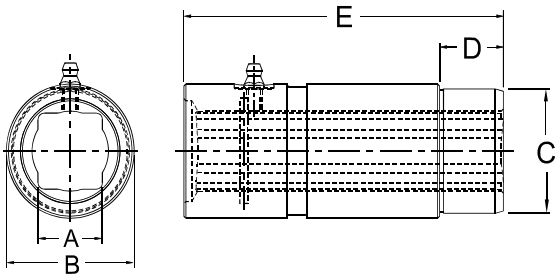
Furnished with grease zerk

Other Sizes Available By Quotation

SLIP SLEEVES



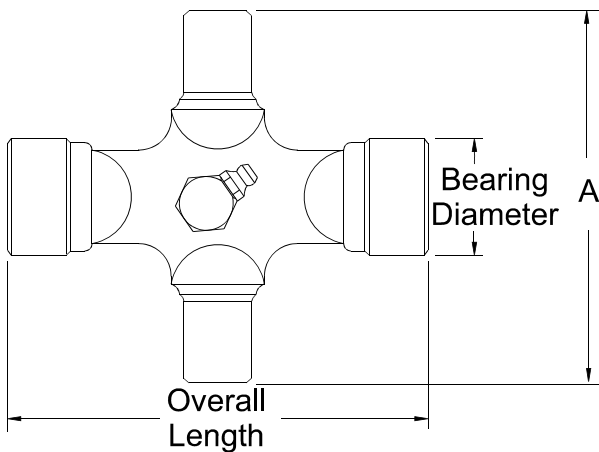
OMAHA, NEBRASKA
(402) 453-9595
1-800-442-6009
FAX (402) 453-1740



Stock No.	Series No.	A	B	C	D	E	Wt. Lbs.
194-0600	6N	3/4 x 7/8 Rect.	1-1/2	1-15/32	1	5	1.45
194-0615	6N	1 x 15 Spline	1-1/2	1-15/32	1/2	3	.83
194-1400	12N-14N	1 x 1-1/8 Rect.	2	1-55/64	1	5	2.51
194-3500	35N	1-3/16 Square	2	1-7/8	1	5	2.52
194-4400	44R	1-5/16 Square	2-1/2	2-1/4	1	5	3.88
194-5500	55N	1-3/8 Square	2-1/2	2-15/64	1	5	3.75
194-552720	55N	1-11/16 x 20 Spl.	2 1/2	2-16/64	1	5	3.20

REPAIR KITS

Repair Kits sold as complete sets only which include bushings, center cross, retainers* and lube fittings.



Stock No.	Series No.	Overall Length	Bearing Dia.	Wt. Lbs.	A
302-0400	4P	2-1/8	7/8	.50	1.812
302-0600	6N	2-5/16	31/32	.63	1.947
302-1200	12N	2-9/16	1-1/16	.88	2.250
302-1400	14N	2-5/8	1-1/8	1.06	2.400
302-3500	35N	3-7/32	1-1/4	1.56	2.934
302-4400	44R	4	1-5/16	2.06	3.748
302-5500	55N	4-5/16	1-17/32	3.06	4.022
302-0675	0675	2-5/16	15/16	.63	2.068
302-1875	1800	3-3/16	1	.94	2.852

* Retainers not shown.

Other Sizes Available By Quotation



OMAHA, NEBRASKA
(402) 453-9595
1-800-442-6009
FAX (402) 453-1740

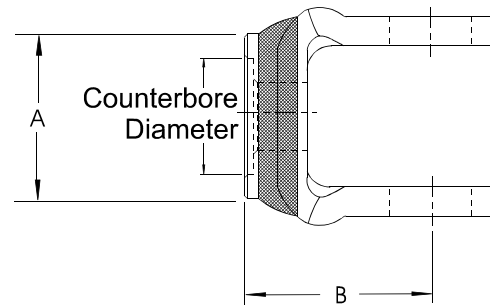
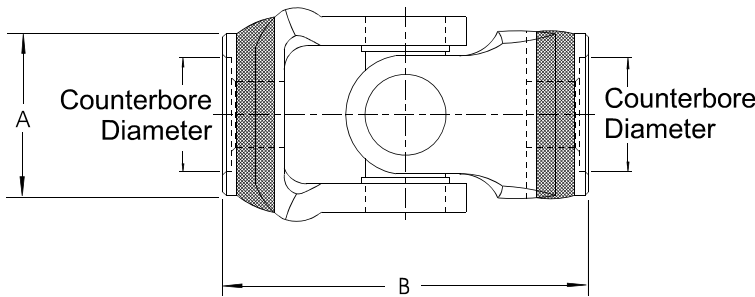
WELDAJOINTS®

COMPLETE U-JOINTS

Stock No.	Series No.	Counter-bore Dia.	A	B	Wt. Lbs.
178-0400	4P	1-1/2	1-3/4	3-5/8	2.30
178-0600	6N	1-1/2	2	4-13/32	2.69
178-1200	12N	1-1/2	2-1/8	4-13/16	3.38
178-1400	14N	1-1/2	2-1/4	5-1/8	3.88
178-3500	35N	2	2-5/16	6-29/32	6.19

YOKES

Stock No.	Series No.	Counter-bore Dia.	A	B	Wt. Lbs.
179-0400	4P	1-1/2	1-3/4	1-13/16	.90
179-0600	6N	1-1/2	2	2-13/64	1.06
179-1200	12N	1-1/2	2-1/8	2-13/32	1.32
179-1400	14N	1-1/2	2-1/4	2-9/16	1.44
179-3500	35N	2	2-5/16	3-29/64	2.38



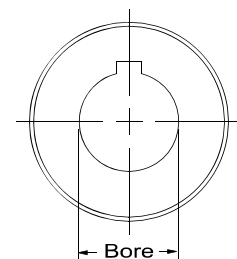
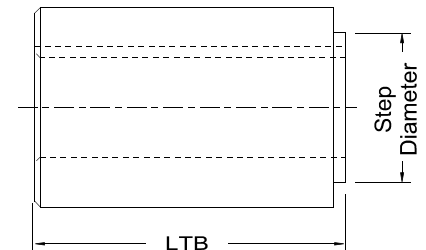
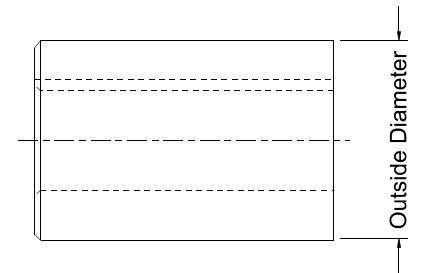
WELDAJOINT® BUSHINGS

Made from Machinable & Weldable Cold Rolled Steel

ROUND BORE BUSHINGS

Furnished with standard keyway

Stock No.	Bore	Outside Dia.	Fits U-Joint Series		Step Dia.	Wt. Lbs.
			LTB			
160-0800	1/2	1-1/2	2-1/4	4P, 6N, 12N, 14N	NONE	1.00
160-1000	5/8	1-1/2	2-1/4	4P, 6N, 12N, 14N	NONE	.94
160-1200	3/4	1-1/2	2-1/4	4P, 6N, 12N, 14N	NONE	.88
160-1400	7/8	1-1/2	2-1/4	4P, 6N, 12N, 14N	NONE	.75
160-1600	1	1-5/8	2-1/4	4P, 6N, 12N, 14N	1-1/2	.83
16001600	1	2	2-1/4	35N	NONE	1.44
16001800	1-1/8	2	2-1/4	4P, 6N, 12N, 14N, 35N	1-1/2	1.25
16002000	1-1/4	2	2-1/4	4P, 6N, 12N, 14N, 35N	1-1/2	1.13
160-2200	1-3/8	2-1/8	2-1/4	4P, 6N, 12N, 14N	1-1/2	1.19
16002200	1-3/8	2-1/4	2-1/4	35N	2	1.50
160-2400	1- 1/2	2-1/4	2-1/4	4P, 6N, 12N, 14N	NONE	1.32
16002400	1-1/2	2-1/4	2-1/4	35N	2	1.83
16002800	1-3/4	2-1/2	2-1/4	35N	NONE	1.44



WELDAJOINT® Bushings may be used with couplers hubs found on pages 38 & 67.

We recommend using Low Hydrogen Electrodes to weld WELDAJOINT® parts.

Manufactured in the USA by G&G Manufacturing Co.

WELDAJOINT® BUSHINGS

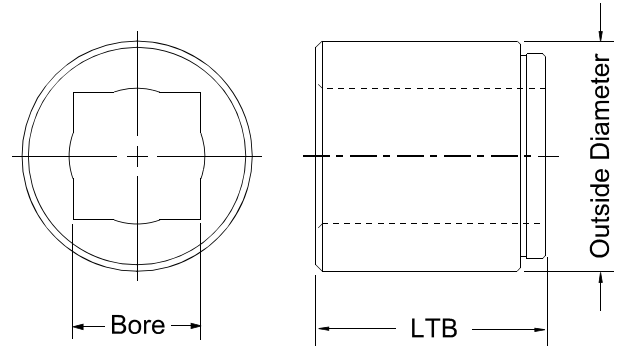
Made from Machinable & Weldable Cold Rolled Steel



OMAHA, NEBRASKA
(402) 453-9595
1-800-442-6009
FAX (402) 453-1740

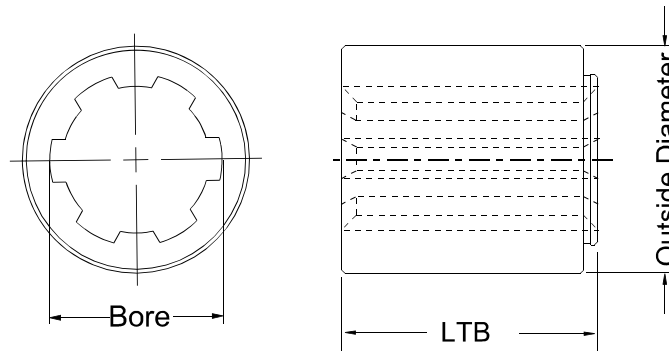
SQUARE BORE BUSHINGS

Stock No.	Bore	Outside Dia.	LTB	Fits U-Joint Series	Step Dia.	Wt. Lbs.
161-0800	1/2	1-1/2	2-1/4	4P, 6N, 12N, 14N	None	.94
161-1000	5/8	1-5/8	2-1/4	4P, 6N, 12N, 14N	1-1/2	.94
161-1200	3/4	1-5/8	2-1/4	4P, 6N, 12N, 14N	1-1/2	.94
161-1400	7/8	1-3/4	2-1/4	4P, 6N, 12N, 14N	1-1/2	1.19
16101600	1	2	2-1/4	4P, 6N, 12N, 14N, 35N	1-1/2	1.25
16101800	1-1/8	2	2-1/4	4P, 6N, 12N, 14N, 35N	1-1/2	1.63
161-1900	1-3/16	2-1/4	2-1/4	4P, 6N, 12N, 14N	1-1/2	1.50
16101900	1-3/16	2-1/4	2-1/4	35N	2	1.56
161-2000	1-1/4	2-1/4	2-1/4	4P, 6N, 12N, 14N	1-1/2	1.44
16102000	1-1/4	2-1/4	2-1/4	35N	2	1.38
16102100	1-5/16	2-1/2	2-1/4	35N	2	1.88
16102200	1-3/8	2-1/2	2-1/4	35N	2	1.69
16102400	1-1/2	3	2-1/4	35N	2	2.56



WELDAJOINT® Bushings also fit couplers hubs found on pages 38 & 67.

SPLINE BORE BUSHINGS



Stock No.	Bore	Pressure Angle	Outside Dia.	LTB	Fits U-Joint Series	Step Dia.	Wt. Lbs.
163-1413	7/8 x 13	30°	1-1/2	2-1/4	4P, 6N, 12N, 14N	None	.83
163-1606	1 x 6		1-1/2	2-1/4	4P, 6N, 12N, 14N	None	.88
163-1615	1 x 15	30°	1-1/2	2-1/4	4P, 6N, 12N, 14N,	None	.85
163-1806	1-1/8 x 6		1-5/8	2-1/4	4P, 6N, 12N, 14N	1-1/2	.75
16302006	1-1/4 x 6		2	2-1/4	4P, 6N, 12N, 14N, 35N	1-1/2	1.25
16302014	1-1/4 x 14	30°	2	2-1/4	4P, 6N, 12N, 14N, 35N	1-1/2	1.25
16302206	1-3/8 x 6		2	2-1/4	4P, 6N, 12N, 14N, 35N	1-1/2	1.13
16702206	1-3/8 x 6		2	5	4P, 6N, 12N, 14N, 35N	1-1/2	2.56
16602221	1-3/8 x 21	30°	2	2-1/4	4P, 6N, 12N, 14N, 35N	1-1/2	1.06
16302806	1-3/4 x 6		2-1/2	2-1/4	35N	2	1.63
16302820	1-3/4 x 20	30°	2-1/2	2-1/4	35N	2	1.60

A variety of other spline bore WELDAJOINT® Bushings are available by Quotation. **SEND YOUR INQUIRES**

We recommend using Low Hydrogen Electrodes to weld WELDAJOINT® parts.



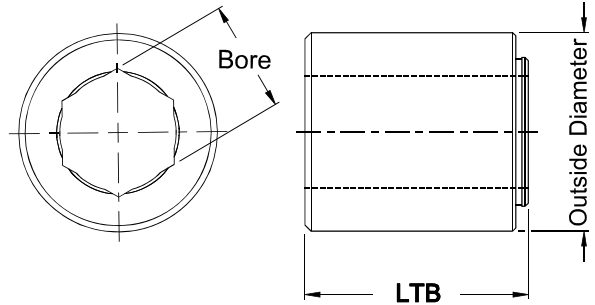
OMAHA, NEBRASKA
 (402) 453-9595
 1-800-442-6009
 FAX (402) 453-1740

WELDAJOINT[®] BUSHINGS

Made from Machinable & Weldable Cold Rolled Steel

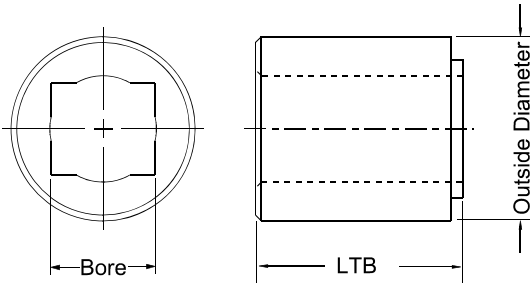
HEXAGON BORE BUSHINGS

Stock No.	Bore	Outside Dia.	LTB	Fits U-Joint Series	Step Dia.	Wt. Lbs.
16801200	3/4	1-5/8	2-1/4	4P, 6N, 12N, 14N	1-1/2	.94
16801400	7/8	2	2-1/4	4P, 6N, 12N, 14N, 35N	1-1/2	1.50
16801600	1	2	2-1/4	4P, 6N, 12N, 14N, 35N	1-1/2	1.38
16801800	1-1/8	2	2-1/4	4P, 6N, 12N, 14N, 35N	1-1/2	1.19
16802000	1-1/4	2-1/4	2-1/4	4P, 6N, 12N, 14N, 35N	2	1.40



WELDAJOINT[®] Bushings also fit couplers hubs found on pages 38 & 67.

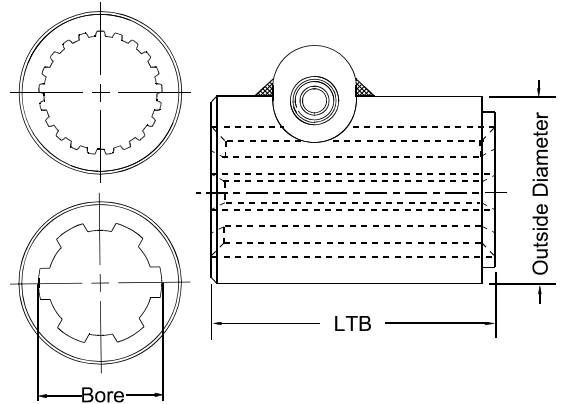
RECTANGULAR BORE BUSHINGS



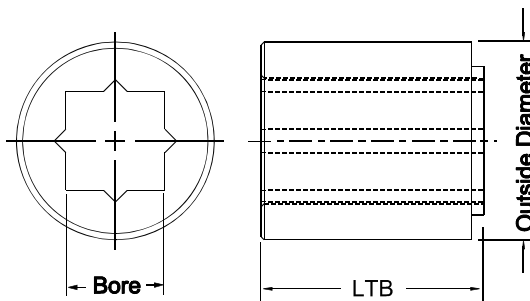
Stock No.	Bore	Outside Dia.	LTB	Fits U-Joint Series	Step Dia.	Wt. Lbs.
162-1214	3/4 x 7/8	1-5/8	2-1/4	4P, 6N, 12N, 14N	1-1/2	.88
16201618	1 x 1-1/8	2	2-1/4	4P, 6N, 12N, 14N, 35N	1-1/2	1.19

PIN SNAP HITCH BUSHINGS

Stock No.	Bore	Outside Dia.	LTB	Fits U-Joint Series	Step Dia.	Wt. Lbs.
165-2206	1-3/8 x 6	1-13/16	2-3/4	4P, 6N, 12N, 14N	1-1/2	1.19
165-2221	1-3/8 x 21	1-13/16	2-3/4	4P, 6N, 12N, 14N	1-1/2	1.32



STAR BORE BUSHINGS



Stock No.	Bore	Outside Dia.	LTB	Fits U-Joint Series	Step Dia.	Wt. Lbs.
16401416	7/8 x 1	2	2-1/4	4P, 6N, 12N, 14N, 35N	1-1/2	1.25

We recommend using Low Hydrogen Electrodes to weld WELDAJOINT[®] parts.

SECTION INDEX



OMAHA, NEBRASKA
(402) 453-9595
1-800-442-6009
FAX (402) 453-1740

Pump Adapters	102
Pump Couplers	102
Snap Hitch Pump Adapters	102
Splined Adapter Sleeve	102
Standard Length Splined Shafts.....	103

WWW.GGMFG.COM

Toll Free

(800) 442-6009



**CATALOG
2017 - v1**

**UPC Bar Coding available on stock items
upon customer request.**

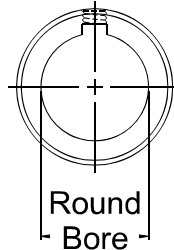
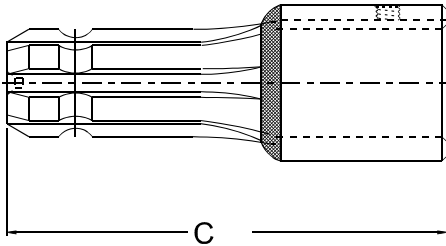
PUMP ADAPTERS & COUPLERS



OMAHA, NEBRASKA
(402) 453-9595
1-800-442-6009
FAX (402) 453-1740

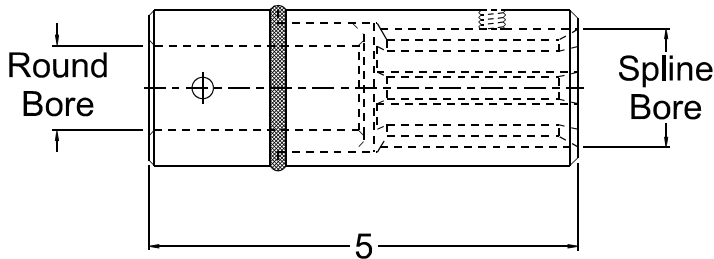
ADAPTERS

PUMP ADAPTERS



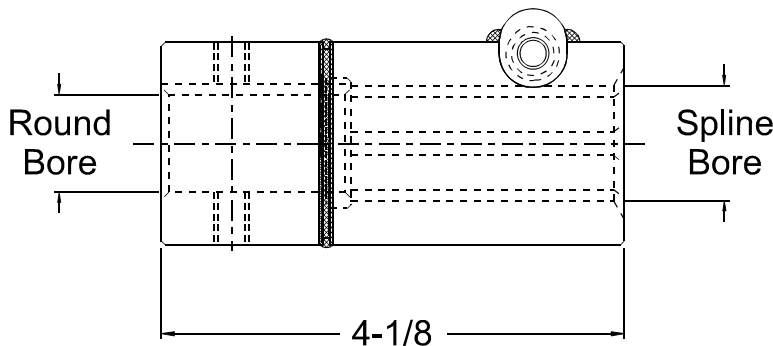
Stock No.	Spline Size	Round Bore	Keyway Size	Wt. Lbs.	C
113-1600	1-3/8 x 6	1	1/4	2.69	5-3/4
113-1800	1-3/8 x 6	1-1/8	1/4	2.69	5-7/8
113-2000	1-3/8 x 6	1-1/4	1/4 5/16	2.44	5-7/8
113-2200	1-3/8 x 6	1-3/8	5/16	2.88	5-3/4
113-2400	1-3/8 x 6	1-1/2	3/8	2.75	5-7/8

PUMP COUPLERS



Stock No.	Spline Bore	Round Bore	Keyway Size	Wt. Lbs.
10180616	1-1/8 x 6	1	1/4	2.94
10220614	1-3/8 x 6	7/8	3/16	2.83
10220615	1-3/8 x 6	15/16	1/4	2.70
10220616	1-3/8 x 6	1	1/4	2.60
10220618	1-3/8 x 6	1-1/8	1/4	2.75
10222116	1-3/8 x 21	1	1/4	2.63

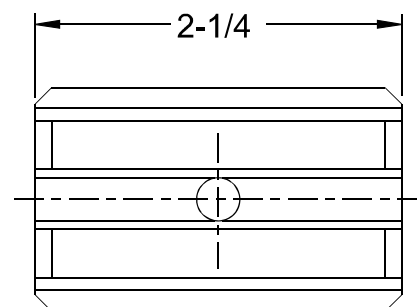
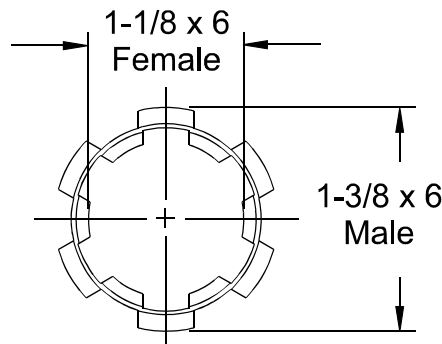
SNAP HITCH PUMP ADAPTERS



Stock No.	Spline Bore*	Round Bore	Keyway Size	Wt. Lbs.
114-1000	1-3/8x6	5/8	3/16	2.13
114-1200	1-3/8x6	3/4	3/16	2.07
114-1400	1-3/8x6	7/8	3/16&1/4	2.00
114-1500	1-3/8x6	15/16	1/4	1.94
114-1600	1-3/8x6	1	1/4	2.00
115-1000	1-3/8x21	5/8	3/16	2.13
115-1200	1-3/8x21	3/4	3/16	2.07
115-1400	1-3/8x21	7/8	3/16&1/4	2.00
115-1500	1-3/8x21	15/16	1/4	1.94
115-1600	1-3/8x21	1	1/4	2.00

SPLINED ADAPTERS SLEEVE

Stock No. 11651822
Enlarges 1-1/8 to 1-3/8
Wt. .25 Lbs.
Recommended HP = 29



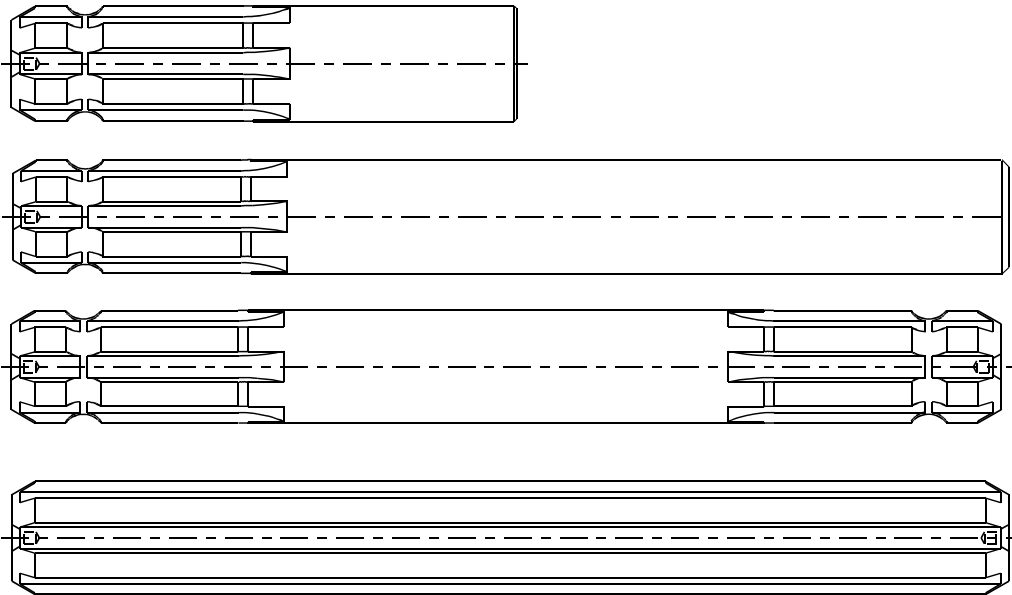
Manufactured in the USA by G&G Manufacturing Co.



OMAHA, NEBRASKA
(402) 453-9595
1-800-442-6009
FAX (402) 453-1740

SPLINED SHAFTS

STANDARD LENGTH SPLINED SHAFTS



Standard Length Splined Shafts are made from Mild Steel, ideal for many repair jobs and building special machinery. All stock splined shafts have a 2-3/4 inch working length except full splines. Additional materials available by request including 1045, 1144 & 4140 priced by quotation.

Stock No.	Spline Size	Length in Inches	Wt. Lbs.	Stock No.	Spline Size	Length in Inches	Wt. Lbs.	Stock No.	Spline Size	Length Feet	Wt. Lbs.
Splined One End Only				Splined Both Ends				Fully Splined			
106A1206	3/4 x 6	6	.74	112B1206	3/4 x 6	12	1.47	105F1615	1 x 15	5	11.40
106A1413	7/8 x 13	6	1.02	112B1413	7/8 x 13	12	1.94	110F1615	1 x 15	10	22.80
106A1615	1 x 15	6	1.34	112B1615	1 x 15	12	2.67	105F2206	1-3/8 x 6	5	20.75
106A1806	1-1/8 x 6	6	1.50	112B2206	1-3/8 x 6	12	4.56	110F2206	1-3/8 x 6	10	41.50
106A2014	1-1/4 x 14	6	2.00	112B2221	1-3/8 x 21	12	4.75	105F2221	1-3/8 x 21	5	22.40
106A2206	1-3/8 x 6	6	2.25	112B2820	1-3/4 x 20	12	8.18	110F2221	1-3/8 x 21	10	44.80
106A2221	1-3/8 x 21	6	2.50	Fully Splined				105F2820	1-3/4 x 20	5	36.40
106A2820	1-3/4 x 20	6	4.10	112F1413	7/8 x 13	12	1.70	110F2820	1-3/4 x 20	10	72.80
112A1206	3/4 x 6	12	1.10	112F1615	1 x 15	12	2.28	Induction Hardened For Driveline Applications			
112A1413	7/8 x 13	12	2.04	112F2206	1-3/8 x 6	12	4.15				
112A1615	1 x 15	12	2.67	112F2221	1-3/8 x 21	12	4.35	103F2120	1-5/16 x 20	3	
112A1806	1-1/8 x 6	12	3.19	112F2820	1-3/4 x 20	12	7.28	103F2720	1-11/16 x 20	3	
112A2206	1-3/8 x 6	12	4.75								
112A2221	1-3/8 x 21	12	4.75								
112A2820	1-3/4 x 20	12	8.18								

Manufactured in the USA by G&G Manufacturing Co.

SECTION INDEX



OMAHA, NEBRASKA
(402) 453-9595
1-800-442-6009
FAX (402) 453-1740

Acme Rolled Threads	110
Left Hand Nuts	110
Left Hand Threaded Rod	110
Right Hand Nuts	110
Right Hand Threaded Rod	110
Key Stock	108
National Coarse Threaded Rod	109
Non Stock Rolled Threads	109
Round Bend U-Bolts	109
Square Bend U-Bolts.....	109
Straight Studs	109
Tubing & Shafting	104-107
Hexagon Shafting	104
Precision Cut Keyed Shafting	106-107
PTO Torque Tubing.....	104
Rectangular Shafting.....	104
Rectangular Tubing	104
Round Shafting	105
Round Repair Tubing	105
Square Shafting	104
Square Tubing.....	104

WWW.GGMFG.COM

Toll Free

(800) 442-6009



**CATALOG
2017 - v1**

TUBING & SHAFTING



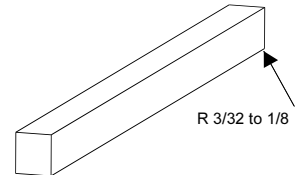
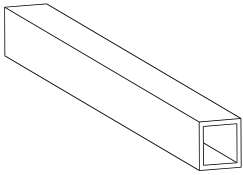
OMAHA, NEBRASKA
(402) 453-9595
1-800-442-6009
FAX (402) 453-1740

Items marked with an asterisk * will be available in 5' and 10' sections while supplies last. Once stock runs out, those items will be available in 6' & 12' sections. Specify section length and total footage of each size needed when ordering.

TUBING AND SHAFTING IS PRICED PER FOOT.

SQUARE TUBING & SHAFTING

Square Tubing & Shafting have a telescoping feature.
Square Shafting is de-cornered



Square Tubing

6' Lengths	12' Lengths	Wall Thickness	Outside Dimension	Inside Dimension	Wt. Lbs./Ft.
132-1200	133-1200	.109	1	3/4	1.25
132-1400	133-1400	.105	1-1/8	7/8	1.57
132-1500	133-1500	.109	1-3/16	15/16	1.60
132-1600	133-1600	.109	1-1/4	1	1.70
132-1601	133-1601	.156	1-3/8	1	2.60
*132-1800	*133-1800	.109	1-3/8	1-1/8	1.93
132-1900	133-1900	.145	1-1/2	1-3/16	2.70
132-2000	133-2000	.165	1-5/8	1-1/4	3.30
132-2100	133-2100	.175	1-3/4	1-5/16	3.80
132-2200	*133-2200	.188	1-3/4	1-3/8	3.64
132-2400	133-2400	.165	1-7/8	1-1/2	3.80

MATERIAL: 1010-1020 Tubing
WALL THICKNESS: ±.010
OUTSIDE DIMENSION: ±.010

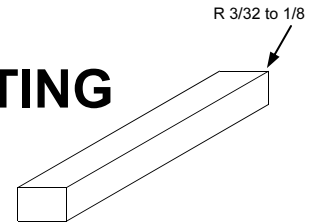
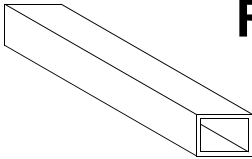
Square Shafting

6' Lengths	12' Lengths	Size	Wt. Lbs./Ft.
136-1200	137-1200	3/4	1.91
136-1400	137-1400	7/8	2.60
136-1500	137-1500	15/16	2.99
136-1600	137-1600	1	3.40
136-1800	137-1800	1-1/8	4.30
136-1900	137-1900	1-3/16	4.80
136-2000	137-2000	1-1/4	5.31
136-2100	137-2100	1-5/16	5.86
136-2200	137-2200	1-3/8	6.43
136-2400	137-2400	1-1/2	7.65

MATERIAL: 1045 Cold Drawn
TOLERANCE: +0/-005

RECTANGULAR TUBING & SHAFTING

Rectangular Tubing & Shafting have a telescoping feature.
Rectangular Shafting is de-cornered



Rectangular Tubing

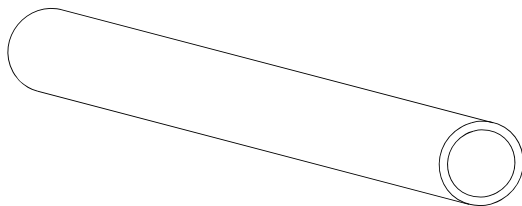
6' Lengths	12' Lengths	Wall Thickness	Outside Dimension	Inside Dimension	Wt. Lbs./Ft.
134-1214	135-1214	1/8	1 x 1-1/8	3/4 x 7/8	1.60
134-1618	135-1618	1/8	1-1/4 x 1-3/8	1 x 1-1/8	1.70

MATERIAL: 1026 Tubing
OUTSIDE DIMENSION: ±10%
INSIDE DIMENSION: +.020 / - 0"

Rectangular Shafting

6' Lengths	12' Lengths	Size	Wt. Lbs./Ft.
138-1214	139-1214	3/4 x 7/8	2.23
138-1618	139-1618	1 x 1-1/8	3.83

MATERIAL: 1045 Cold Drawn
TOLERANCE: +0/-005



PTO TORQUE TUBING

6' Lengths	12' Lengths	Fits Series	Outside Dimension	Inside Dimension	Wt. Lbs./Ft.
140-0600	141-0600	6N	1-5/8	1-15/32	1.37
140-1400	141-1400	12N-14N	2	1-13/16	1.70
140-3500	141-3500	35N	2-1/8	1-7/8	2.67
140-4400	141-4400	44R-55N	2-1/2	2-15/64	3.39

MATERIAL: 1020-1026 DOM Tubing
Manufactured in the USA

HEXAGON SHAFTING

6' Lengths	12' Lengths	Size	Wt. Lbs./Ft.
142-0900	143-0900	9/16	.95
142-1000	143-1000	5/8	1.15
142-1200	143-1200	3/4	1.66
142-1400	143-1400	7/8	2.25
142-1600	143-1600	1	2.56
142-1800	143-1800	1-1/8	3.73
142-2000	143-2000	1-1/4	4.60
142-2400	143-2400	1-1/2	6.58
142-2800	143-2800	1-3/4	9.03

MATERIAL: 1045 Cold

Tubing/Shafting Threaded Rod



OMAHA, NEBRASKA
 (402) 453-9595
 1-800-442-6009
 FAX (402) 453-1740

TUBING & SHAFTING

Specify section length and total footage of each size needed when ordering.

DOM TUBING & COLD DRAWN SHAFTING PRICED PER FOOT

1020 ROUND REPAIR TUBING

5' Part No.	10' Part No.	Outside Diameter	Inside Diameter	Wt. Lbs./Ft.
1/8 Inch Wall				
13021208	13121208	3/4	1/2	.80
13021410	13121410	7/8	5/8	.90
13021612	13121612	1	3/4	1.10
13021814	13121814	1-1/8	7/8	1.30
13022016	13122016	1-1/4	1	1.50
13022218	13122218	1-3/8	1-1/8	1.50
13022420	13122420	1-1/2	1-1/4	1.70
13022622	13122622	1-5/8	1-3/8	1.90
13022824	13122824	1-3/4	1-1/2	2.10
13023026	13123026	1-7/8	1-5/8	2.20
13023228	13123228	2	1-3/4	2.40
13023430	13123430	2-1/8	1-7/8	2.60
13023632	13123632	2-1/4	2	2.70
13024036	13124036	2-1/2	2-1/4	3.00
13024440	13124440	2-3/4	2-1/2	3.40
1/4 Inch Wall				
13041608	13141608	1	1/2	2.00
13041810	13141810	1-1/8	5/8	2.30
13042012	13142012	1-1/4	3/4	2.60
13042214	13142214	1-3/8	7/8	2.90
13042416	13142416	1-1/2	1	3.20
13042618	13142618	1-5/8	1-1/8	3.60
13042820	13142820	1-3/4	1-1/4	3.90
13043022	13143022	1-7/8	1-3/8	4.20
13043224	13143224	2	1-1/2	4.50
13043426	13143426	2-1/8	1-5/8	4.90
13043628	13143628	2-1/4	1-3/4	5.20
13043830	13143830	2-3/8	1-7/8	5.50
13044032	13144032	2-1/2	2	5.80
13044436	13144436	2-3/4	2-1/4	6.70

1018 ROUND SHAFT

3' Part No.	6' Part No.	12' Part No.	Outside Diameter	Wt. Lbs./Ft.
147-0800	148-0800	149-0800	1/2	0.67
147-1000	148-1000	149-1000	5/8	1.04
147-1200	148-1200	149-1200	3/4	1.50
147-1400	148-1400	149-1400	7/8	2.04
147-1600	148-1600	149-1600	1	2.67
147-1800	148-1800	149-1800	1-1/8	3.38
147-1900	148-1900	149-1900	1-3/16	3.77
147-2000	148-2000	149-2000	1-1/4	4.17
147-2100	148-2100	149-2100	1-5/16	4.60
147-2200	148-2200	149-2200	1-3/8	5.05
147-2300	148-2300	149-2300	1-7/16	5.52
147-2400	148-2400	149-2400	1-1/2	6.01
147-2600	148-2600	149-2600	1-5/8	7.05
147-2800	148-2800	149-2800	1-3/4	8.18
147-3100	148-3100	149-3100	1-15/16	10.02
147-3200	148-3200	149-3200	2	10.68
147-3500	148-3500	149-3500	2-3/16	12.78
147-3900	148-3900	149-3900	2-7/16	15.86
147-4000	148-4000	149-4000	2-1/2	16.69
147-4700	148-4700	149-4700	2-15/16	23.04
147-4800	148-4800	149-4800	3	24.03
147-5000	148-5000	149-5000	3-1/8	26.08
147-5100	148-5100	149-5100	3-3/16	27.13
147-5200	148-5200	149-5200	3-1/4	28.21
147-5400	148-5400	149-5400	3-3/8	30.42
147-5500	148-5500	149-5500	3-7/16	31.55
147-5600	148-5600	149-5600	3-1/2	32.71
147-5800	148-5800	149-5800	3-5/8	35.09
147-6000	148-6000	149-6000	3-3/4	37.55
147-6300	148-6300	149-6300	3-15/16	41.40
147-6400	148-6400	149-6400	4	42.73

1144 STRESSPROOF ROUND SHAFT

3' Part No.	6' Part No.	12' Part No.	Size	Weight Lbs./Ft.
368-0800	369-0800	370-0800	1/2	0.67
368-1000	369-1000	370-1000	5/8	1.04
368-1200	369-1200	370-1200	3/4	1.50
368-1400	369-1400	370-1400	7/8	2.04
368-1600	369-1600	370-1600	1	2.67
368-1800	369-1800	370-1800	1-1/8	3.38
368-1900	369-1900	370-1900	1-3/16	3.77
368-2000	369-2000	370-2000	1-1/4	4.17
368-2200	369-2200	370-2200	1-3/8	5.05
368-2300	369-2300	370-2300	1-7/16	5.52
368-2400	369-2400	370-2400	1-1/2	6.01
368-2800	369-2800	370-2800	1-3/4	8.18
368-3100	369-3100	370-3100	1-15/16	10.02
368-3200	369-3200	370-3200	2	10.68
368-3500	369-3500	370-3500	2-3/16	12.78
368-3900	369-3900	370-3900	2-7/16	15.86
368-4000	369-4000	370-4000	2-1/2	16.69
368-4700	369-4700	370-4700	2-15/16	23.04

303 STAINLESS STEEL ROUND SHAFT

3' Part No.	6' Part No.	12' Part No.	Outside Dia.	Weight Lbs./ Ft.
246-1000	247-1000	248-1000	5/8	1.04
246-1200	247-1200	248-1200	3/4	1.50
246-1600	247-1600	248-1600	1	2.67
246-1800	247-1800	248-1800	1-1/8	3.38
246-1900	247-1900	248-1900	1-3/16	3.77
246-2000	247-2000	248-2000	1-1/4	4.17
246-2300	247-2300	248-2300	1-7/16	5.52
246-2400	247-2400	248-2400	1-1/2	6.01
246-2700	247-2700	248-2700	1-11/16	
246-2800	247-2800	248-2800	1-3/4	8.18
246-3100	247-3100	248-3100	1-15/16	10.02

Average Mechanical Properties of 303 Stainless Steel

Magnetic Properties		% of Elong. In	Machinability % of CD1212	
Non-Magnetic		50	78	
Tensile Strength (Ksi)	Yield Strength (Ksi)	Brinell Hardness	Rockwell Hardness	
90 Min.	35 min.	160 min.	B80 min.	

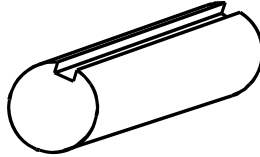
PRECISION CUT KEYED SHAFTING



OMAHA, NEBRASKA
(402) 453-9595
1-800-442-6009
FAX (402) 453-1740

Specify section length and total footage of size needed when ordering

SHAFTING PRICED PER FOOT



Tubing/Shafting
Threaded Rod

C1018 CD

1144 STRESSPROOF

3' Part Number	6' Part Number	12' Part Number	Size	Keyway	Lbs per ft.
144-0800	145-0800	146-0800	1/2	1/8 x 1/16	.67
144-1000	145-1000	146-1000	5/8	3/16 x 3/32	1.04
144-1100	145-1100	146-1100	1 1/16	3/16 x 3/32	1.26
144-1200	145-1200	146-1200	3/4	3/16 x 3/32	1.50
144-1300	145-1300	146-1300	13/16	3/16 x 3/32	1.76
144-1400	145-1400	146-1400	7/8	3/16 x 3/32	2.04
144-1600	145-1600	146-1600	1	1/4 x 1/8	2.67
144-1800	145-1800	146-1800	1-1/8	1/4 x 1/8	3.38
144-1900	145-1900	146-1900	1-3/16	1/4 x 1/8	3.77
144-2000	145-2000	146-2000	1-1/4	1/4 x 1/8	4.17
144-2005	145-2005	146-2005	1-1/4	5/16 x 5/32	4.17
144-2100	145-2100	146-2100	1-5/16	5/16 x 5/32	4.60
144-2200	145-2200	146-2200	1-3/8	5/16 x 5/32	5.05
144-2300	145-2300	146-2300	1-7/16	3/8 x 3/16	5.52
144-2400	145-2400	146-2400	1-1/2	3/8 x 3/16	5.89
144-2600	145-2600	146-2600	1-5/8	3/8 x 3/16	7.05
144-2800	145-2800	146-2800	1-3/4	3/8 x 3/16	8.18
144-3100	145-3100	146-3100	1-15/16	1/2 x 1/4	10.00
144-3200	145-3200	146-3200	2	1/2	10.24
144-3500	145-3500	146-3500	2-3/16	1/2	12.34
144-3900	145-3900	146-3900	2-7/16	5/8	15.17
144-4000	145-4000	146-4000	2-1/2	5/8	16.00
144-4700	145-4700	146-4700	2-15/16	3/4	22.55
144-4800	145-4800	146-4800	3	3/4	23.04
144-5000	145-4000	146-4000	3-1/8	3/4	25.10
144-5100	145-5100	146-5100	3-3/16	3/4	26.16
144-5200	145-5200	146-5200	3-1/4	3/4	27.23
144-5400	145-5400	146-5400	3-3/8	7/8	29.06
144-5500	145-5500	146-5500	3-7/16	7/8	30.21
144-5600	145-5600	146-6500	3-1/2	7/8	31.37
144-5800	145-5800	146-5800	3-5/8	7/8	33.76
144-6000	145-6000	146-6000	3-3/4	7/8	36.23
144-6300	145-6300	146-6300	3-15/16	1	39.64
144-6400	145-6400	146-6400	4	1	40.97

3' Part Number	6' Part Number	12' Part Number	Size	Keyway	Lbs per ft.
365-0800	366-0800	367-0800	1/2	1/8	.67
365-1000	366-1000	367-1000	5/8	3/16	1.04
365-1200	366-1200	367-1200	3/4	3/16	1.50
365-1400	366-1400	367-1400	7/8	3/16	2.04
365-1600	366-1600	367-1600	1	1/4	2.67
365-1800	366-1800	367-1800	1-1/8	1/4	3.38
365-1900	366-1900	367-1900	1-3/16	1/4	3.77
365-2000	366-2000	367-2000	1-1/4	1/4	4.17
365-2200	366-2200	367-2200	1-3/8	5/16	5.05
365-2300	366-2300	367-2300	1-7/16	3/8	5.52
365-2400	366-2400	367-2400	1-1/2	3/8	5.89
365-2800	366-2800	367-2800	1-3/4	3/8	8.18
365-3100	366-3100	367-3100	1-15/16	1/2	10.00
365-3200	366-3200	367-3200	2	1/2	10.24
365-3500	366-3500	367-3500	2-3/16	1/2	12.34
365-3900	366-3900	367-3900	2-7/16	5/8	15.17
365-4000	366-4000	367-4000	2-1/2	5/8	16.00
365-4700	366-4700	367-4700	2-15/16	3/4	22.05

303 STAINLESS STEEL

3' Part Number	6' Part Number	12' Part Number	Outside Dia.	Keyway	Lbs per ft.
244-1000	245-1000	243-1000	5/8	3/16x3/32	1.04
244-1200	245-1200	243-1200	3/4	3/16x3/32	1.50
244-1600	245-1600	243-1600	1	1/4x1/8	2.67
244-1800	245-1800	243-1800	1-1/8	1/4x1/8	3.38
244-1900	245-1900	243-1900	1-3/16	1/4x1/8	3.77
244-2000	245-2000	243-2000	1-1/4	1/4x1/8	4.17
244-2300	245-2300	243-2300	1-7/16	3/8x3/16	5.52
244-2400	245-2400	243-2400	1-1/2	3/8x3/16	6.01
244-2700	245-2700	243-2700	1-11/16	3/8x3/16	7.49
244-2800	245-2800	243-2800	1-3/4	3/8x3/16	8.18
244-3100	245-3100	243-3100	1-15/16	1/2x1/4	10.02

» Keyed Shafting available in 3', 6' or 12' sections.

» Other lengths, diameters and keyway sizes available by quotation.

Manufactured in the USA by G&G Manufacturing Co.



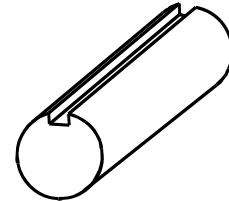
OMAHA, NEBRASKA
 (402) 453-9595
 1-800-442-6009
 FAX (402) 453-1740

PRECISION CUT KEYED SHAFTING

1045 - Turned, Ground and Polished

Specify section length and total footage of size required when ordering

Tubing/Shafting
Threaded Rod



ROUND SHAFTING

KEYED SHAFTING

3' Part Number	6' Part Number	12' Part Number	Diameter	Weight	3' Part Number	6' Part Number	12' Part Number	Diameter	Keyway	Weight per ft.
371-1000	372-1000	373-1000	5/8"	1.04	374-1000	375-1000	376-1000	5/8"	3/16	0.98
371-1200	372-1200	373-1200	3/4"	1.50	374-1200	375-1200	376-1200	3/4"	3/16	1.44
371-1500	372-1500	373-1500	15/16"	2.35	374-1500	375-1500	376-1500	15/16"	1/4	2.36
371-1600	372-1600	373-1600	1"	2.67	374-1600	375-1600	376-1600	1"	1/4	2.56
371-1900	372-1900	373-1900	1- 3/16"	3.77	374-1900	375-1900	376-1900	1-3/16"	1/4	3.66
371-2300	372-2300	373-2300	1- 7/16"	5.53	374-2300	375-2300	376-2300	1-7/16"	3/8	5.27
371-2700	372-2700	373-2700	1-11 /16"	7.62	374-2700	375-2700	376-2700	1-11/16"	3/8	7.36
371-3100	372-3100	373-3100	1- 15/16"	10.05	374-3100	375-3100	376-3100	1-15/16"	1/2	9.59
371-3500	372-3500	373-3500	2 - 3/16"	12.81	374-3200	375-3200	376-3200	2"	1/2	10.24
371-3900	372-3900	373-3900	2 - 7/16"	15.90	374-3500	375-3500	376-3500	2-3/16"	1/2	12.35
<p>Manufactured in the USA by G&G Manufacturing Co.</p>					374-3900	375-3900	376-3900	2-7/16"	5/8	15.18
					374-4000	375-4000	376-4000	2-1/2"	5/8	16.01
					374-4300	375-4300	376-4300	2-11/16"	5/8	18.61
					374-4700	375-4700	376-4700	2-15/16"	3/4	22.06
					374-4800	375-4800	376-4800	3"	3/4	23.05

► Shafting available in 3, 6 and 12 foot lengths

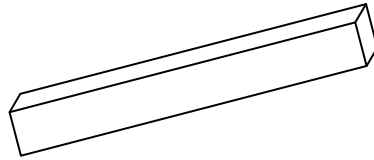
► Priced per foot

KEY STOCK



OMAHA, NEBRASKA
(402) 453-9595
1-800-442-6009
FAX (402) 453-1740

Key Stock available per piece cut to length from
3/4" long to 1-1/2" long and in longer 1' or 12' sections.



Tubing/Shafting
Threaded Rod

Stock No.	Size	Length	Wt. Lbs./Ft.
411-0312	3/16 x 3/16	3/4"	.007
411-0314	3/16 x 3/16	7/8"	.009
411-0316	3/16 x 3/16	1"	.010
411-0318	3/16 x 3/16	1-1/8"	.011
411-0320	3/16 x 3/16	1-1/4"	.012
411-0323	3/16 x 3/16	1-7/16"	.014
411-0324	3/16 x 3/16	1-1/2"	.015
411-0412	1/4 x 1/4	3/4"	.013
411-0414	1/4 x 1/4	7/8"	.015
411-0416	1/4 x 1/4	1"	.018
411-0418	1/4 x 1/4	1-1/8"	.019
411-0420	1/4 x 1/4	1-1/4"	.022
411-0423	1/4 x 1/4	1-7/16"	.025
411-0424	1/4 x 1/4	1-1/2"	.027

Stock No.	Size	Length	Wt. Lbs./Ft.
411-0514	5/16 x 5/16	7/8"	.024
411-0516	5/16 x 5/16	1"	.028
411-0518	5/16 x 5/16	1-1/8"	.031
411-0520	5/16 x 5/16	1-1/4"	.035
411-0523	5/16 x 5/16	1-7/16"	.040
411-0524	5/16 x 5/16	1-1/2"	.042
411-0616	3/8 x 3/8	1"	.040
411-0618	3/8 x 3/8	1-1/8"	.045
411-0620	3/8 x 3/8	1-1/4"	.050
411-0623	3/8 x 3/8	1-7/16"	.057
411-0624	3/8 x 3/8	1-1/2"	.060
411-0626	3/8 x 3/8	1-5/8"	.065
411-0630	3/8 x 3/8	1-7/8"	.075
411-0826	1/2 x 1/2	1-5/8"	.115
411-0830	1/2 x 1/2	1-7/8"	.133

Stock No.	Stock No.	Footage	Stock No.	Size	Wt. Lbs./Ft.
1' Pieces	Min. Bndl.	Per Bundle	12' Pieces		
407-0300	443-0300	42'	412-0300	3/16 x 3/16	.12
407-0400	443-0400	28'	412-0400	1/4 x 1/4	.21
407-0500	443-0500	21'	412-0500	5/16 x 5/16	.33
407-0600	443-0600	16'	412-0600	3/8 x 3/8	.48
407-0604	443-0604	17'	412-0604	3/8 x 1/4	.33
407-0800	443-0800	11'	412-0800	1/2 x 1/2	.85

303 STAINLESS STEEL KEY STOCK

1' Stock	12' Stock	Size	Wt. per ft.
408-0300	409-0300	3/16 x 3/16	.12
408-0400	409-0400	1/4 x 1/4	.21

» Cut to your requirements by quotation



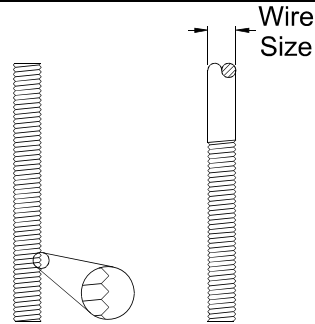
OMAHA, NEBRASKA
 (402) 453-9595
 1-800-442-6009
 FAX (402) 453-1740

NATIONAL COARSE ROLLED THREADS

Tubing/Shafting Threaded Rod

Stock No. 3' Pieces	Stock No. 3' Min. Bdl.	Footage Per Bdl.	Stock No. 6' Pieces	Stock No. 6' Min. Bdl.	Footage Per Bdl.	Stock No. 12' Pieces	Size & Pitch	Wire Size	Wt. Lbs./Ft.
406-0420	441-0420	72'	410-0420	442-0420	72'	405-0420	1/4 x 20	.214	.13
406-0518	441-0518	48'	410-0518	442-0518	48'	405-0518	5/16 x 18	.273	.20
406-0616	441-0616	42'	410-0616	442-0616	42'	405-0616	3/8 x 16	.330	.29
406-0714	441-0714	33'	410-0714	442-0714	36'	405-0714	7/16 x 14	.387	.40
406-0813	441-0813	27'	410-0813	442-0813	30'	405-0813	1/2 x 13	.445	.53
406-0912	441-0912	21'	410-0912	442-0912	24'	405-0912	9/16 x 12	.503	.67
406-1011	441-1011	18'	410-1011	442-1011	18'	405-1011	5/8 x 11	.560	.84
406-1210	441-1210	12'	410-1210	442-1210	12'	405-1210	3/4 x 10	.678	1.23
406-1409	441-1409	9'	410-1409	442-1409	12'	405-1409	7/8 x 9	.795	1.70
406-1608	441-1608	6'	410-1608			405-1608	1 x 8	.911	2.30
406-1807	441-1807	6'	410-1807			405-1807	1-1/8 x 7	1.025	2.80
406-2007	441-2007	6'	410-2007			405-2007	1-1/4 x 7	1.149	3.40
406-3240			410-3240			405-3240	2 x 4-1/2	1.843	9.07

1010/1018 Grade 2
 Class 2A Rolled Threads
 65,000 to 75,000 PSi Tensile Strength
 3', 6', or 12' Sections Available
 Plain Finish



U-BOLTS, STUDS, ANCHOR BOLTS & EYE BOLTS NON STOCK

Specify all dimensions when requesting quotations or orders. PRICED BY QUOTATION

ROUND BEND U-BOLTS

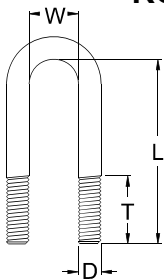


Figure 1

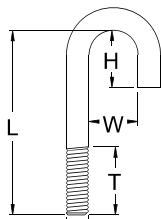


Figure 2

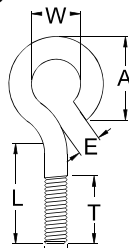


Figure 3

SQUARE BEND U-BOLTS

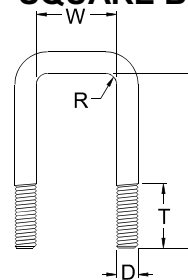


Figure 4

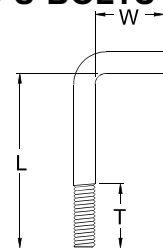


Figure 5

STRAIGHT STUDS

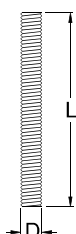


Figure 6

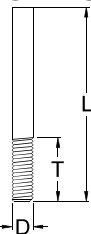


Figure 7

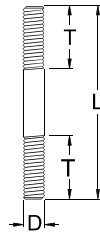


Figure 8

Manufactured in the USA
 by G&G Manufacturing Co.

ACME ROLLED THREADS



OMAHA, NEBRASKA
(402) 453-9595
1-800-442-6009
FAX (402) 453-1740

Threaded Rod and Nuts are available in different material grades, pitches and lengths upon request.

THREADED ROD

1010/1018 Class 2G Rolled Threads
Plain Finish

Right Hand Threads

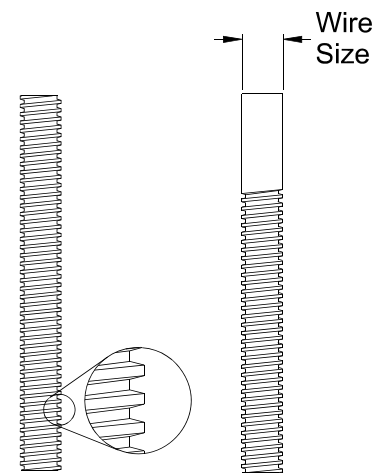
Stock No. 3' Pieces	Stock No. 6' Pieces	Stock No. 12' Pieces	Size & Pitch	Wire Size	Wt. Lbs./Ft.
400-0416	404-0416	402-0416	1/4 x 16	.214	.13
400-0612	404-0612	402-0612	3/8 x 12	.325	.28
400-0810	404-0810	402-0810	1/2 x 10	.440	.51
400-1006	404-1006	402-1006	5/8 x 6	.534	.80
400-1008	404-1008	402-1008	5/8 x 8	.550	.80
400-1206	404-1206	402-1206	3/4 x 6	.656	1.15
400-1210	404-1210	402-1210	3/4 x 10	.687	1.26
400-1406	404-1406	402-1406	7/8 x 6	.780	1.63
400-1604	404-1604	402-1604	1 x 4	.875	2.04
400-1605	404-1605	402-1605	1 x 5	.887	2.11
400-16-4	404-16-4	402-16-4	1 x 4 Stub	.911	2.30
400-1805	404-1805	402-1805	1-1/8 x 5	1.012	2.84
400-2005	404-2005	402-2005	1-1/4 x 5	1.136	3.57
400-2404	404-2404	402-2404	1-1/2 x 4	1.369	5.04
400-2804	404-2804	402-2804	1-3/4 x 4	1.615	7.05
400-3204	404-3204	402-3204	2 x 4	1.862	9.38

Left Hand Threads

Stock No. 6' Pieces	Size & Pitch	Wire Size	Wt. Lbs./Ft.
401-1008	5/8 x 8	.550	.80
401-1206	3/4 x 6	.656	1.15
401-1406	7/8 x 6	.780	1.63
401-1605	1 x 5	.887	2.11
401-1805	1-1/8 x 5	1.012	2.84
401-2005	1-1/4 x 5	1.136	3.57

Left Hand Acme Threaded Rod Sizes not shown are available by quotation.

SEND YOUR INQUIRIES



Double Lead Acme Threaded Rod and Ball Screws are also available. We have tooling for 3/4 x 6, 7/8 x 6, 1 x 5, 1-1/8 x 5, 1-1/4 x 5 and 1-3/4 x 4 Double Lead Acme and 1 x 3-1/2 and 1-1/4 x 3-1/2 Ball Screws.

SEND YOUR INQUIRIES

HEX NUTS

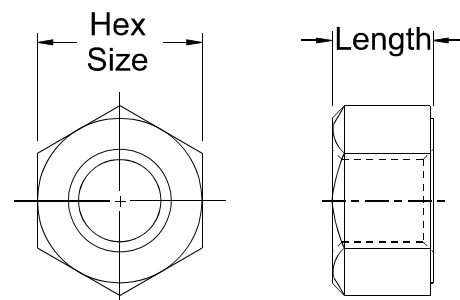
12L14 Screw Stock
Plain finish

Right Hand Nuts

Stock No.	Size & Pitch	Hex Size	Length	Wt. Lbs.
413-0416	1/4 x 16	1/2	1/4	.01
413-0612	3/8 x 12	11/16	3/8	.03
413-0810	1/2 x 10	7/8	1/2	.09
413-1008	5/8 x 8	1-1/16	5/8	.13
413-1006	5/8 x 6	1-1/16	5/8	.13
413-1210	3/4 x 10	1-1/4	3/4	.20
413-1206	3/4 x 6	1-1/4	3/4	.20
413-1406	7/8 x 6	1-7/16	7/8	.32
413-1605	1 x 5	1-5/8	1	.44
413-1604	1 x 4	1-5/8	1	.44
413-16-4	1 x 4 Stub	1-5/8	1	.44
413-1805	1-1/8 x 5	1-13/16	1-1/8	.63
413-2005	1-1/4 x 5	2	1-1/4	.83
413-2404	1-1/2 x 4	2-3/8	1-1/2	1.38
413-2804	1-3/4 x 4	2-3/4	1-3/4	2.13
413-3204	2 x 4	3-1/2	2	4.25

Left Hand Nuts

Stock No.	Size & Pitch	Hex Size	Length	Wt. Lbs.
414-1008	5/8 x 8	1-1/16	5/8	.13
414-1206	3/4 x 6	1-1/4	3/4	.20
414-1406	7/8 x 6	1-7/16	7/8	.32
414-1605	1 x 5	1-5/8	1	.44
414-1805	1-1/8 x 5	1-13/16	1-1/8	.63
414-2005	1-1/4 x 5	2	1-1/4	.83





OMAHA, NEBRASKA
(402) 453-9595
1-800-442-6009
FAX (402) 453-1740

NOTES

SECTION INDEX



OMAHA, NEBRASKA
(402) 453-9595
1-800-442-6009
FAX (402) 453-1740

Heavy Duty Square Tube Swivel Jacks	111
2,000 Lb.....	111
5,000 Lb.....	111
High Capacity Jacks.....	114
9,000 Lb.....	114
10,000 Lb.....	114
12,000 Lb.....	114
Jack Replacement Components	112-113
Bevel Gear Kit.....	112
Bolt-on/Weld-on Locking Pin Kits	113
Crank Replacement Kits	112
Mounting Brackets	112
Screw Replacements Kits.....	113
Side Wind Crank Bearing Kit.....	112
Tube Mount Locking Pin Kit	113

WWW.GGMFG.COM

Toll Free

(800) 442-6009



CATALOG
2017 - v1

**UPC Bar Coding is available on stock items
upon customer request.**

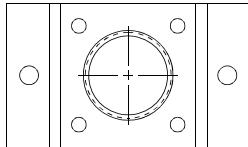
HEAVY DUTY SQUARE TUBE SWIVEL JACKS



OMAHA, NEBRASKA
(402) 453-9595
1-800-442-6009
FAX (402) 453-1740

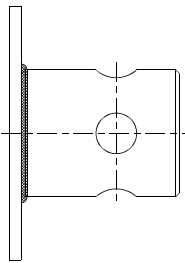
Swivel Jacks are manufactured from Heavy Duty square tubing. Top wind and side wind models are available with tube mount, weld on and bolt on mounting brackets. Jacks ordered by stock number furnished complete with mounting brackets as shown. Jacks can be produced less the mounting brackets or attachments with various lift lengths.

SEND YOUR INQUIRIES

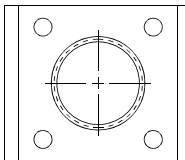


BOLT ON

Holes are punched for 1/2" bolt. Snap ring is included.

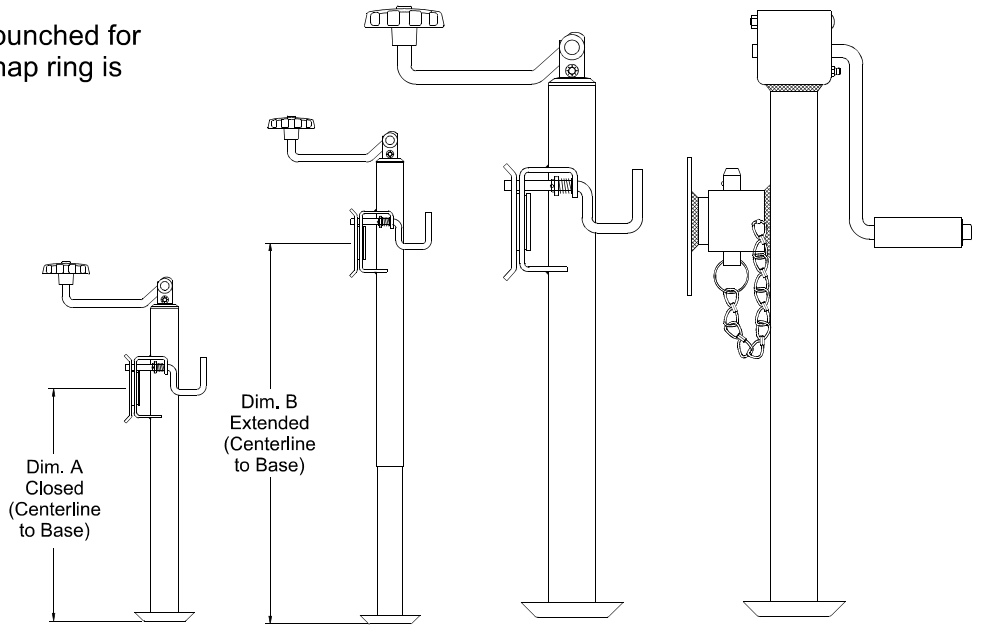


TUBE MOUNT



WELD ON

Snap ring is included.



Jacks

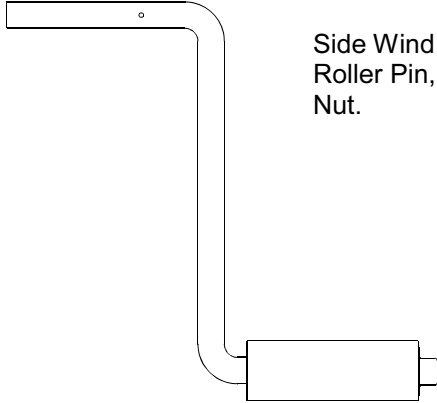
Stock No.	Capacity	Mounting	Handle Type	Lift	A	B	Wt. Lbs.
450SB210	2,000 Lbs.	Bolt On	Side Wind	10"	11-7/16	21-7/16	12.02
450SB215	2,000 Lbs.	Bolt On	Side Wind	15"	14-13/16	29-13/16	14.00
450ST210	2,000 Lbs.	Tube Mount	Side Wind	10"	11-7/16	21-7/16	13.05
450ST215	2,000 Lbs.	Tube Mount	Side Wind	15"	14-13/16	29-13/16	14.07
450SW210	2,000 Lbs.	Weld On	Side Wind	10"	11-7/16	21-7/16	11.09
450SW215	2,000 Lbs.	Weld On	Side Wind	15"	14-13/16	29-13/16	13.00
450TB210	2,000 Lbs.	Bolt On	Top Wind	10"	11-7/16	21-7/16	10.03
450TB215	2,000 Lbs.	Bolt On	Top Wind	15"	14-13/16	29-13/16	12.01
450TT210	2,000 Lbs.	Tube Mount	Top Wind	10"	11-7/16	21-7/16	12.01
450TT215	2,000 Lbs.	Tube Mount	Top Wind	15"	14-13/16	29-13/16	13.05
450TW210	2,000 Lbs.	Weld On	Top Wind	10"	11-7/16	21-7/16	10.04
450TW215	2,000 Lbs.	Weld On	Top Wind	15"	14-13/16	29-13/16	11.08
450-0510	5,000 Lbs.	Bolt On	Side Wind	10"	11-7/16	21-7/16	16.74
450-0515	5,000 Lbs.	Bolt On	Side Wind	15"	14-13/16	29-13/16	19.02
451-0510	5,000 Lbs.	Tube Mount	Side Wind	10"	11-7/16	21-7/16	17.22
451-0515	5,000 Lbs.	Tube Mount	Side Wind	15"	14-13/16	29-13/16	19.59
452-0510	5,000 Lbs.	Weld On	Side Wind	10"	11-7/16	21-7/16	16.23
452-0515	5,000 Lbs.	Weld On	Side Wind	15"	14-13/16	29-13/16	18.50
455-0510	5,000 Lbs.	Bolt On	Top Wind	10"	11-7/16	21-7/16	15.52
455-0515	5,000 Lbs.	Bolt On	Top Wind	15"	14-13/16	29-13/16	17.64
456-0510	5,000 Lbs.	Tube Mount	Top Wind	10"	11-7/16	21-7/16	15.90
456-0515	5,000 Lbs.	Tube Mount	Top Wind	15"	14-13/16	29-13/16	18.14
457-0510	5,000 Lbs.	Weld On	Top Wind	10"	11-7/16	21-7/16	14.92
457-0515	5,000 Lbs.	Weld On	Top Wind	15"	14-13/16	29-13/16	17.28



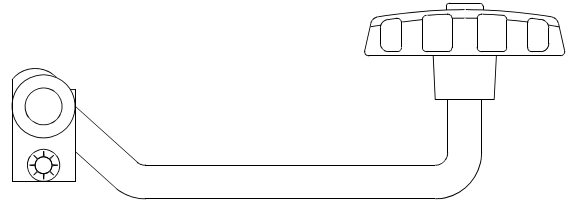
OMAHA, NEBRASKA
 (402) 453-9595
 1-800-442-6009
 FAX (402) 453-1740

JACK REPLACEMENT COMPONENTS

CRANK REPLACEMENT KITS



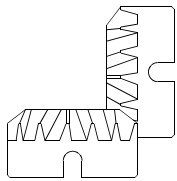
Side Wind Crank Kit includes:
 Roller Pin, Knob, Crank and Pal Nut.



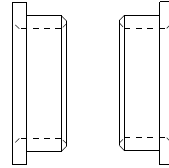
Top Wind Crank Kit includes:
 Clevis, Clevis Pin, 1/4" Pal Nut,
 2 ea. 1/2" Pal Nuts, Washer,
 Crank and Knob.

Stock No.	Capacity	Handle Type	Wt. Lbs.
48012201	2,000 Lbs.	Side Wind	.86
48012501	5,000 Lbs.	Side Wind	1.08
48567201	2,000 Lbs.	Top Wind	.84
48567501	5,000 Lbs.	Top Wind	1.04

Jacks

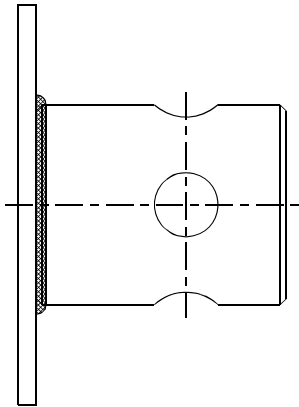


BEVEL GEAR KIT
Stock No. 48012200
 Bevel Gear Kit includes:
 2 Gears and 2 Roller Pins
 Fits 2,000 & 5,000 lbs. Jacks
 Wt.Lbs. .38

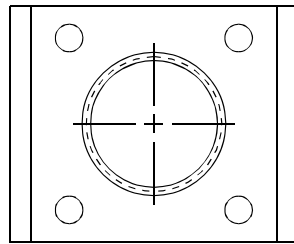


SIDE WIND CRANK BEARING KIT
Stock No. 48012202
 Crank Bearing Kit includes:
 2 Bronze Bearings.
 Fits 2,000 & 5,000 lbs. Jacks
 Wt.Lbs. .02

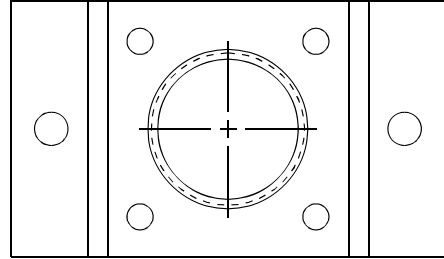
MOUNTING BRACKETS



Tube Mount



Weld On



Bolt On

Stock No.	Mounting	Capacity	Wt. Lbs.
460AS011	Tube Mount		1.84
460U9218	Weld On	2,000 Lbs.	.68
460W9218	Weld On	5,000 Lbs.	.86
460B9218	Bolt On	2,000 Lbs.	1.14
46059218	Bolt On	5,000 Lbs.	1.34
460A9218	Snap Ring	2,000 Lbs.	.02
460C9218	Snap Ring	5,000 Lbs.	.04

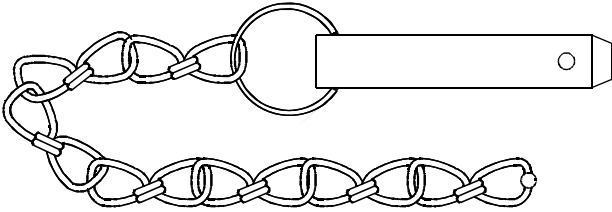
JACK REPLACEMENT COMPONENTS



OMAHA, NEBRASKA
(402) 453-9595
1-800-442-6009
FAX (402) 453-1740

TUBE MOUNT LOCKING PIN KITS

For both 2,000 and 5,000 lb. Jacks

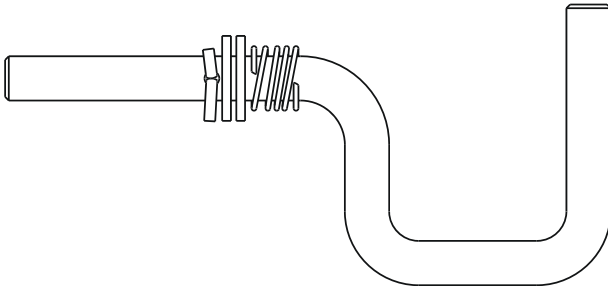


Stock No. 48140200

Pin Kit Includes: Pin, Ring, Chain and Cotter Pin. Wt. Lbs. .44

BOLT-ON/WELD-ON LOCKING PIN KITS

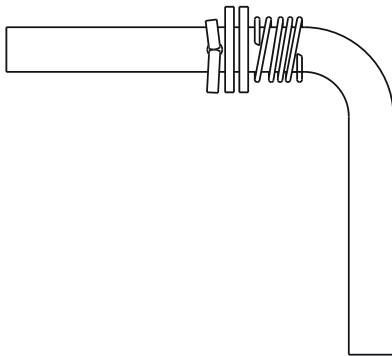
For both 2,000 and 5,000 lb. Jacks



TOP WIND SWIVEL LOCK PIN KIT

Stock No. 48140300

Pin Kit Includes: Pin, Spring, (2) Machinery Bushings and Cotter Pin. Wt. Lbs. .25



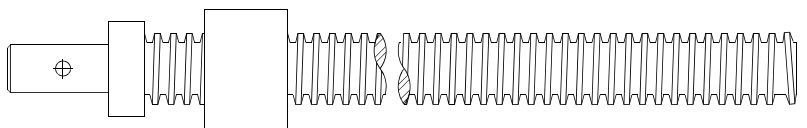
SIDE WIND SWIVEL LOCK PIN KIT

Stock No. 48140400

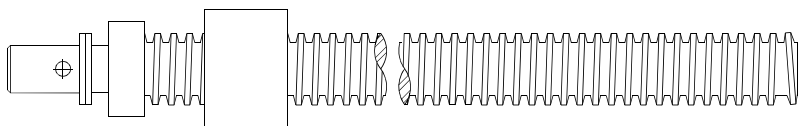
Pin Kit Includes: Pin, Spring, (2) Machinery Bushings and Cotter Pin. Wt. Lbs. .20

SCREW REPLACEMENT KITS

Stock No.	Capacity	Handle Type	Lift	Wt. Lbs.
48012210	2,000 Lbs.	Side Wind	10"	1.56
48012215	2,000 Lbs.	Side Wind	15"	2.02
48012510	5,000 Lbs.	Side Wind	10"	2.90
48012515	5,000 Lbs.	Side Wind	15"	3.88
48567210	2,000 Lbs.	Top Wind	10"	1.62
48567215	2,000 Lbs.	Top Wind	15"	2.08
48567510	5,000 Lbs.	Top Wind	10"	2.98
48567515	5,000 Lbs.	Top Wind	15"	3.96



Side Wind Screw Kit includes: Screw, Bearing and Nut.



Top Wind Screw Kit includes: Screw, Bearing, 2 Washers and Nut.

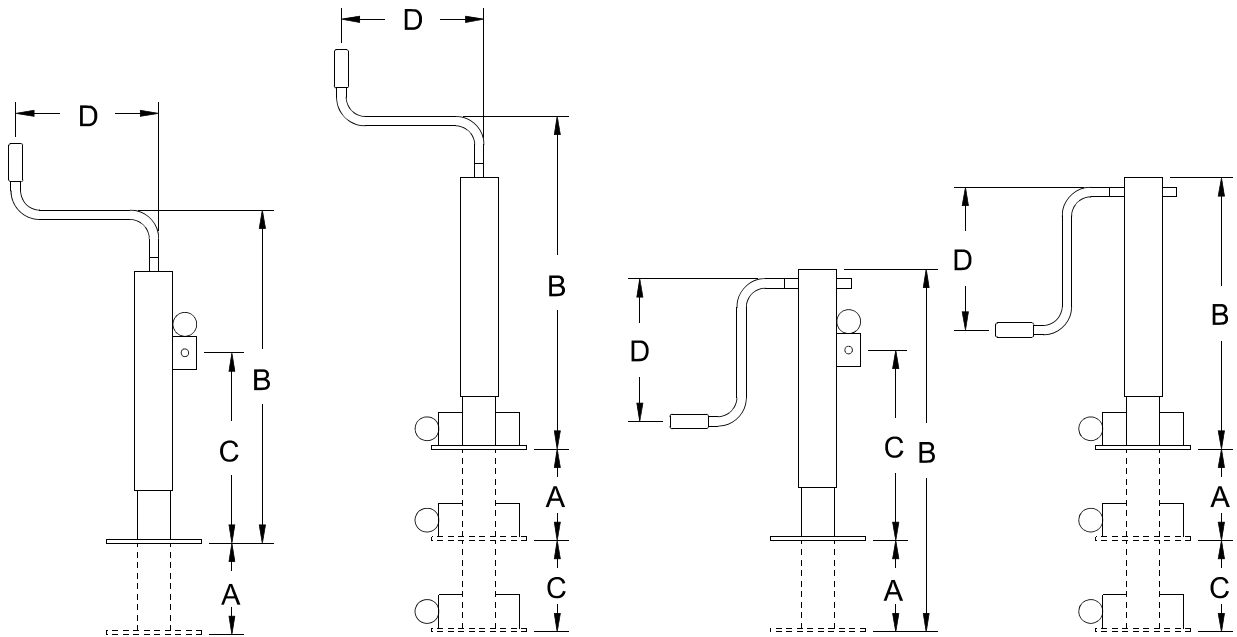


OMAHA, NEBRASKA
 (402) 453-9595
 1-800-442-6009
 FAX (402) 453-1740

HIGH CAPACITY JACKS

SPECIAL FEATURES:

- ▶ Double 3/4" Snap Lock Plunger on Drop Leg.
- ▶ Fast Dolly action in 1-1/2" increments on Drop Leg.
- ▶ Large 1-1/4 x 6 Left-hand Acme precision rolled jack screw.
- ▶ Square full shouldered ductile drive nut.
- ▶ Large crank turning radius.
- ▶ Large sand shoe - up to 9" x 10".
- ▶ Red Oxide Primer Finish.



Stock No. : **460-0901**
 Model No. : **9-TW-13(TM)**

460-0902
9-TW-25DL(DW)

460-1000
10-SW-13(TM)

460-1200
12-SW-25DL(DW)

Stock No.	Model No.	Capacity	Handle Type	A	B	C	D	Tube Size	Wt. Lbs.
460-0901	9-TW-13(TM)	9,000 Lbs.	Top Wind	13	26-3/4	20-1/2	15	4 x 4 x 3/16	52.00
460-0902	9-TW-25DL(DW)	9,000 Lbs.	Top Wind	13	26-3/4	12	15	4 x 4 x 3/16	58.00
460-1000	10-SW-13(TM)	10,000 Lbs.	Side Wind	13	28	20-1/2	15	4 x 4 x 3/16	56.00
460-1200	12-SW-25DL(DW)	12,000 Lbs.	Side Wind	13	29	12	15	4 x 4 x 3/16	64.00

Custom jacks and mounting brackets are available by quotation.

SEND YOUR INQUIRIES

SECTION INDEX



OMAHA, NEBRASKA
(402) 453-9595
1-800-442-6009
FAX (402) 453-1740

Spindle Assemblies.....	122
Spindle Assembly Components.....	125
Cotter Pins	125
Nuts	125
Washers	125
Wheel Hub Assemblies.....	115-121
4 Bolt, 5” Bolt Circle, 3.62 Pilot.....	115
5 Bolt, 4.5” Bolt Circle, 2.62 Pilot.....	116
5 Bolt, 5.5” Bolt Circle, 4.00 Pilot.....	117
6 Bolt, 5.5” Bolt Circle, 3.37 Pilot.....	118
6 Bolt, 6” Bolt Circle, 4.62 Pilot.....	119
8 Bolt, 8” Bolt Circle, 6.00 Pilot.....	120
10 Bolt, 11.25” Bolt Circle, 8.62 Pilot.....	121
10 Bolt, 11.25” Bolt circle, 8.66 Pilot.....	121
Wheel Hub Assembly Components.....	123-124
Bearing Cones	124
Bearing Cups	124
Grease Seals.....	124
Hub Caps.....	123
Wheel Bolts.....	123
Wheel Nuts.....	123



CATALOG
2017 - v1

**UPC Bar Coding is available on stock items
upon customer request.**



OMAHA, NEBRASKA
(402) 453-9595
1-800-442-6009
FAX (402) 453-1740

WHEEL HUB ASSEMBLY

General Information and Specifications

SPINDLES - Standard Spindles for Wheel Hub Assemblies are precision machined from hot rolled, high strength, 1045 or equivalent carbon steel.

WHEEL HUBS - Wheel Hubs precision machined for bearings and seals from a high quality gray iron casting, G-3000 or equivalent.

BEARINGS - Only the best tapered roller bearings available are used in our Wheel Hubs.

GREASE SEALS - The very best quality grease seals available are used in our Wheel Hubs.

FASTENERS - Only high strength, grade "5" wheel studs and lugs are used on G&G Manufacturing Company Wheel Hubs.

CAPACITY - Wheel Hub Capacities as stated in this section are in relation to the static gross capacity on a free rolling wheel at normal tractor speeds up to and not exceeding 20 MPH. Stated hub capacities are based on 20,000 mile, B-120 bearing life and 14,000 psi maximum fiber stress on the spindle in the bearing and seal area. Not to be used for Tandem or Steering applications.

SPECIAL APPLICATIONS - Custom designed Wheel Hubs or Hub packages which contain other than the appropriate standard components and require engineering approved modifications, are considered special and require special pricing. Contact the G&G Manufacturing Company sales department to obtain a quote on your specific needs.

STANDARD WHEEL HUB PACKAGES - This is the basic machined Wheel Hub with bearing cups pressed in (studded versions have the studs pressed in also). It includes all the appropriate standard components; bearing cups, bearing cones, wheel bolts or nuts, grease seal and hub cap that come with a standard hub package.

VARIATIONS ON STANDARD PACKAGES - These include the basic machined hub with bearing cups pressed in (again, the studs as well on studded versions) and any combination of bearing cups, bearing cones, wheel bolts or nuts, grease seal and hub cap.

SPINDLE PACKAGES - Spindle and Spindle Components are also offered by G&G Manufacturing Company as part of our complete Wheel Hub Line.



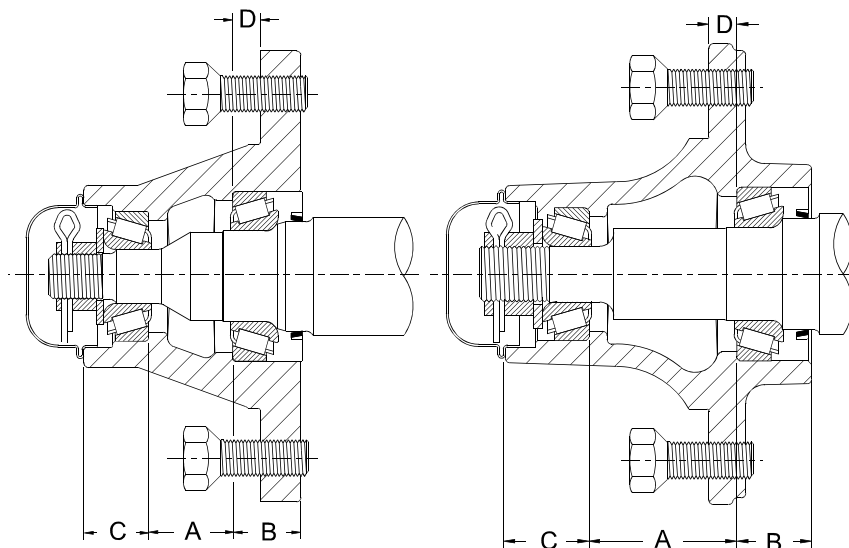
**CATALOG
2017 - v1**

WHEEL HUB ASSEMBLIES



OMAHA, NEBRASKA
(402) 453-9595
1-800-442-6009
FAX (402) 453-1740

4 BOLT, 5" BOLT CIRCLE, 3.62 PILOT 1250 to 1500 Pound Capacity



504-0669

504-0633

Wheel Hub Assemblies

Wheel Hub Assemblies include: Bearing Cups, Bearing Cones, Wheel Bolts, Hub Cap and Grease Seal.

Spindle Assemblies sold separately. See page 122 for Spindle information.

See page 124 for Bearing Cup, Bearing Cone and Grease Seal interchange information.

Dimensional Information

Stock No.	Wt. Lbs.	Dimensions				Cap. Lbs.
		A	B	C	D	
504-0669	6.50	1.16	.94	.88	.38	1250 *
504-0633	7.00	2.00	1.00	1.12	.38	1500 *

* Hub capacity is based on .38 negative wheel offset (inset). 504-0626 hub capacity is based on 8" fork width.

** Dimensions are given on the drawing.

Components

Stock No.	Inner Cup	Outer Cup	Inner		Outer		Wheel Bolt	Wheel Nut	Hub Cap	Grease Seal	Spindle No.^^
			Cone	Bore	Cone	Bore					
504-0669	511-7010	511-1910	512-7048	1.25	512-1949	.75	54000820	--	56102211	513-0558	521-0163
504-0633	511-7010	511-1910	512-7048	1.25	512-1949	.75	54000820	--	56102211	513-0558	525-0163

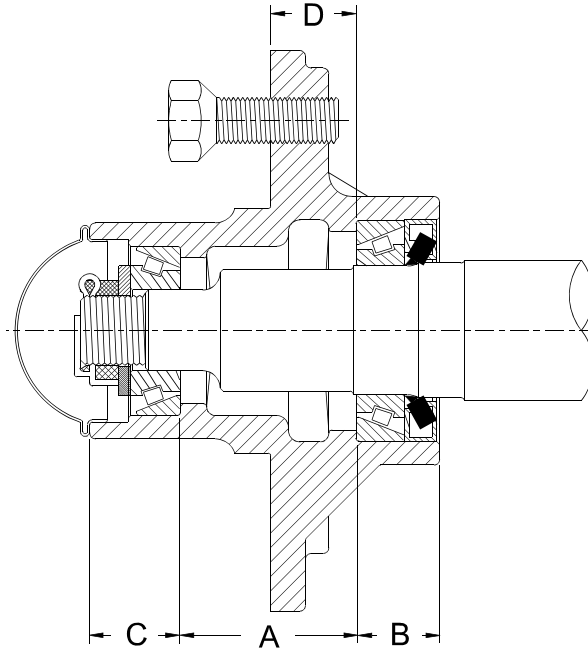
^^ Spindle is NOT included with Wheel Hub Assembly.



OMAHA, NEBRASKA
 (402) 453-9595
 1-800-442-6009
 FAX (402) 453-1740

WHEEL HUB ASSEMBLIES

5 BOLT, 4.5" BOLT CIRCLE, 2.62 PILOT 1700 Pound Capacity



505-3181

Wheel Hub Assemblies include: Bearing Cups, Bearing Cones, Wheel Bolts, Hub Cap and Grease Seal.

Wheel Hub Assembly 505-3181 fits two sizes of Spindles. Spindle Assemblies are sold separately. See page 122 for Spindle information.

See page 124 for Bearing Cup, Bearing Cone and Grease Seal interchange information.

Dimensional Information

Stock No.	Wt. Lbs.	Dimensions				Cap. Lbs.
		A	B	C	D	
505-3181 [^]	5.50	1.88	.90	.97	.92	1750 *

[^] Wheel Hub Assembly fits both Plymouth and Ford car rims used in offroad applications.

* Hub capacity is based on 1.00 positive offset (outset).

Components

Stock No.	Inner Cup	Outer Cup	Inner		Outer		Wheel Bolt	Wheel Nut	Hub Cap	Grease Seal	Spindle No. ^{^^}
			Cone	Bore	Cone	Bore					
505-3181	511-8111	511-2711	512-8149	1.38	512-2749	.87	54000820	--	56102211	513-0608	522-0150
505-3181	511-8111	511-2711	512-8149	1.38	512-2749	.87	54000820	--	56102211	513-0608	522-0175

^{^^} Spindle is NOT included with Wheel Hub Assembly.

Manufactured in the USA by G&G Manufacturing Co.

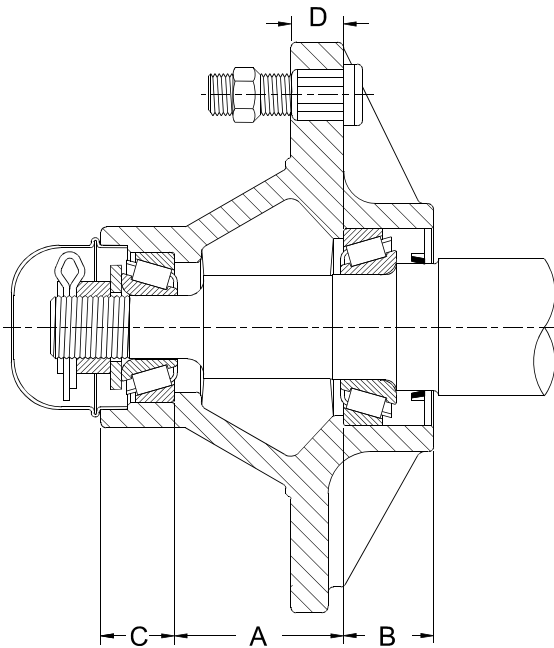
Wheel Hub Assemblies

WHEEL HUB ASSEMBLIES

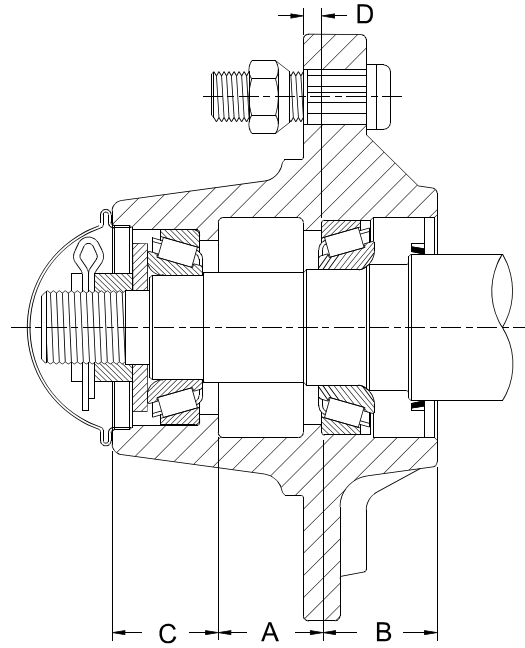


OMAHA, NEBRASKA
(402) 453-9595
1-800-442-6009
FAX (402) 453-1740

5 BOLT, 5.5" BOLT CIRCLE, 4.00 PILOT 1650 to 2760 Pound Capacity



50510736



50510719

Wheel Hub
Assemblies

Wheel Hub Assemblies include: Bearing Cups, Bearing Cones, Wheel Bolts, Wheel Nuts, Hub Cap and Grease Seal.

Spindle Assemblies are sold separately. See page 122 for Spindle information.

See page 124 for Bearing Cup, Bearing Cone and Grease Seal interchange information.

Dimensional Information

Stock No.	Wt. Lbs.	Dimensions				Cap. Lbs.
		A	B	C	D	
50510736	10.00	2.00	1.00	.94	.62	1650 *
50510719	13.00	1.56	1.25	1.06	.22	2760 *

* Hub capacity is based on .25 negative wheel offset (inset).

Components

Stock No.	Inner Cup	Outer Cup	Inner		Outer		Wheel Bolt	Wheel Nut	Hub Cap	Grease Seal	Spindle No.^^
			Cone	Bore	Cone	Bore					
50510736	511-7010	511-1910	512-7048	1.25	512-1949	.75	541-0820	550-0820	561-2209	513-0558	525-0163
50510719	511-8510	511-7010	512-8548	1.38	512-7048	1.25	54100820	550-0820	560-2008	513-0574	523-0175

^^ Spindle is NOT included with Wheel Hub Assembly.

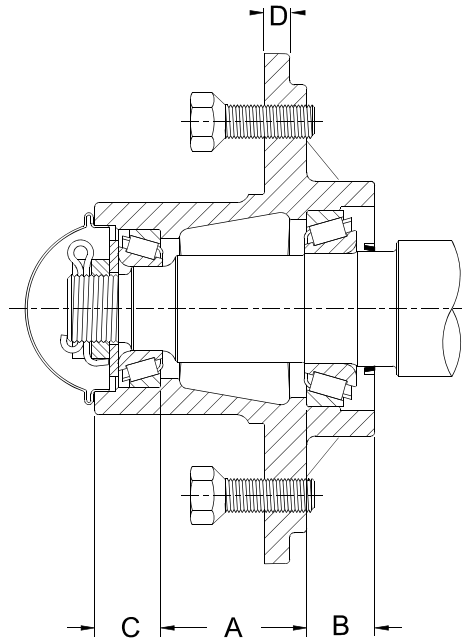
Manufactured in the USA by G&G Manufacturing Co.



OMAHA, NEBRASKA
 (402) 453-9595
 1-800-442-6009
 FAX (402) 453-1740

WHEEL HUB ASSEMBLIES

6 BOLT, 5.5" BOLT CIRCLE, 3.37 PILOT 2600 Pound Capacity



506-3192

Wheel Hub Assemblies include: Bearing Cups, Bearing Cones, Wheel Bolts, Hub Cap and Grease Seal.

Wheel Hub Assembly 506-3192 fits two sizes of Spindles. Spindle Assemblies are sold separately. See page 122 for Spindle information.

See page 124 for Bearing Cup, Bearing Cone and Grease Seal interchange information.

Dimensional Information

Stock No.	Wt. Lbs.	Dimensions				Cap. Lbs.
		A	B	C	D	
506-3192 [^]	9.00	2.16	1.00	.97	.62	2600 *

[^] Wheel Hub Assembly fits 6 bolt Chevrolet pickup rims used in off road applications.

* Hub capacity is based on .50 positive offset (outset).

Components

Stock No.	Inner Cup	Outer Cup	Inner		Outer		Wheel Bolt	Wheel Nut	Hub Cap	Grease Seal	Spindle No. ^{^^}
			Cone	Bore	Cone	Bore					
506-3192	511-1310	511-7010	512-1349	1.63	512-7048	1.25	540-0820	--	560-2008	513-0616	526-0175
506-3192	511-1310	511-7010	512-1349	1.63	512-7048	1.25	540-0820	--	560-2008	513-0616	526-0200

^{^^} Spindle NOT included with Wheel Hub Assembly.

Manufactured in the USA by G&G Manufacturing Co.

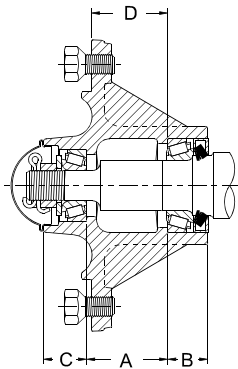
Wheel Hub Assemblies

WHEEL HUB ASSEMBLIES

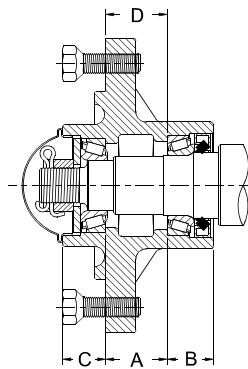


OMAHA, NEBRASKA
(402) 453-9595
1-800-442-6009
FAX (402) 453-1740

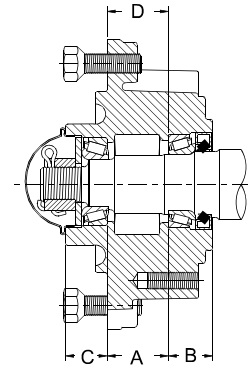
6 BOLT, 6" BOLT CIRCLE, 4.62 PILOT 1650 to 4910 Pound Capacity



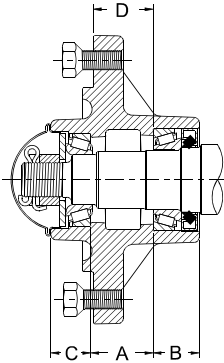
50610826



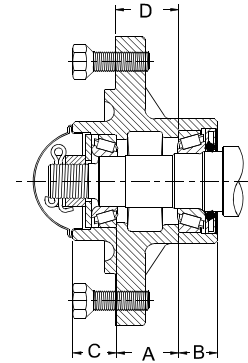
50610888★



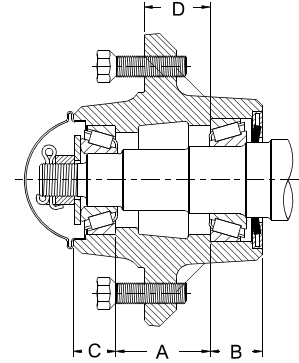
50612889★



50610777



50610709



50610803

Wheel Hub Assemblies

Wheel Hub Assemblies include: Bearing Cups, Bearing Cones, Wheel Bolts, Hub Cap and Grease Seal.

★Wheel Hub Assembly 50610888 and 50612889 fit two sizes of Spindles. Spindle Assemblies are sold separately. See page 122 for Spindle information.

See page 124 for Bearing Cup, Bearing Cone and Grease Seal interchange information.

Dimensional Information

Stock No.	Wt. Lbs.	Dimensions				Cap. Lbs.
		A	B	C	D	
50610826	9.00	2.00	1.00	1.12	1.88	1650 *
50610888	11.00	1.52	1.12	1.06	1.52	3560 *
50612889†	16.00	1.52	1.12	1.06	1.52	3560 *
50610777	11.00	1.56	1.00	1.06	1.50	3560 *
50610709	11.00	1.56	1.00	1.06	1.59	2760 *
50610803	21.00	2.50	1.38	1.13	1.75	4910 *

† Brake Hubs

* Hub capacity is based on 1.12 positive wheel offset (outset).

Components

Stock No.	Inner Cup	Outer Cup	Inner		Outer		Wheel Bolt	Wheel Nut	Hub Cap	Grease Seal	Spindle No.^^
			Cone	Bore	Cone	Bore					
50610826	511-7010	511-1910	512-7048	1.25	512-1949	.75	54000820	--	56102211	513-0558	525-0163
50610888	511-9310	511-7010	512-9349	1.50	512-7048	1.25	540-0820	--	560-2008	513-0582	524-0175
50610888	511-9310	511-7010	512-9349	1.50	512-7048	1.25	540-0820	--	560-2008	513-0582	524-0200
50612889	511-9310	511-7010	512-9349	1.50	512-7048	1.25	540-0820	--	560-2008	513-0582	524-0175
50612889	511-9310	511-7010	512-9349	1.50	512-7048	1.25	540-0820	--	560-2008	513-0582	524-0200
50610777	511-9710	511-7010	512-9749	1.50	512-7048	1.25	540-0820	--	560-2008	513-0582	530-0175
50610709	511-8510	511-7010	512-8548	1.38	512-7048	1.25	540-0820	--	560-2008	513-0574	523-0175
50610803	511-5520	511-5821	512-5590	1.80	512-5877	1.38	54000918	--	562-2207	513-0590	527-0212

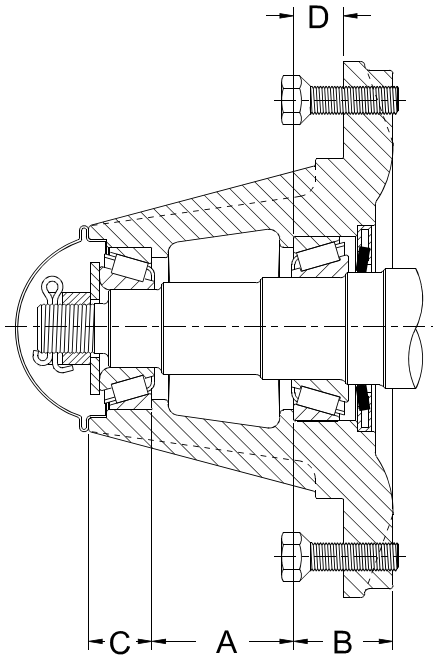
^^ Spindle is NOT included with Wheel Hub Assembly.



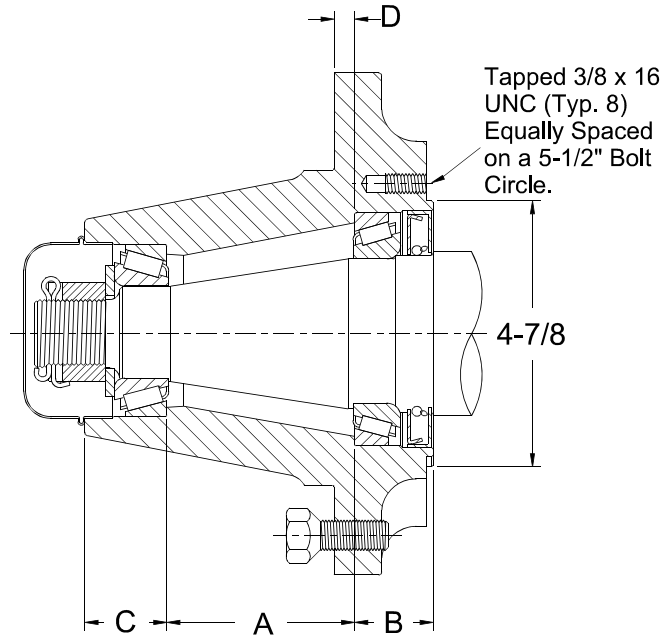
OMAHA, NEBRASKA
 (402) 453-9595
 1-800-442-6009
 FAX (402) 453-1740

WHEEL HUB ASSEMBLIES

8 BOLT, 8" BOLT CIRCLE, 6.00 PILOT 4910 to 9000 Pound Capacity



50800778



50800900

Wheel Hub Assemblies include: Bearing Cups, Bearing Cones, Wheel Bolts, Hub Cap and Grease Seal.

Spindle Assemblies are sold separately. See page 122 for Spindle information.

See page 124 for Bearing Cup, Bearing Cone and Grease Seal interchange information.

Dimensional Information

Stock No.	Wt. Lbs.	Dimensions				Cap. Lbs.
		A	B	C	D	
50800778	45.00	2.50	1.75	1.12	.88	4910 *
50800900+	45.00	3.44	1.31	1.63	.38	9000 **

+ Brake Hub

* Hub capacity is based on 1.50 negative wheel offset (inset).

**Hub capacity is based on 1.25 positive wheel offset (outset).

Components

Stock No.	Inner Cup	Outer Cup	Inner		Outer		Wheel Bolt	Wheel Nut	Hub Cap	Grease Seal	Spindle No.^^
			Cone	Bore	Cone	Bore					
50800778	511-5520	511-5821	512-5590	1.80	512-5877	1.38	54000918	--	562-2207	513-0590	527-0212
50800900	511-3410	511-5521	512-3449	2.75	512-5580	1.75	54000918	--	561-2618	513-0749	528-0300

^^ Spindle is NOT included with Wheel Hub Assembly.

Manufactured in the USA by G&G Manufacturing Co.

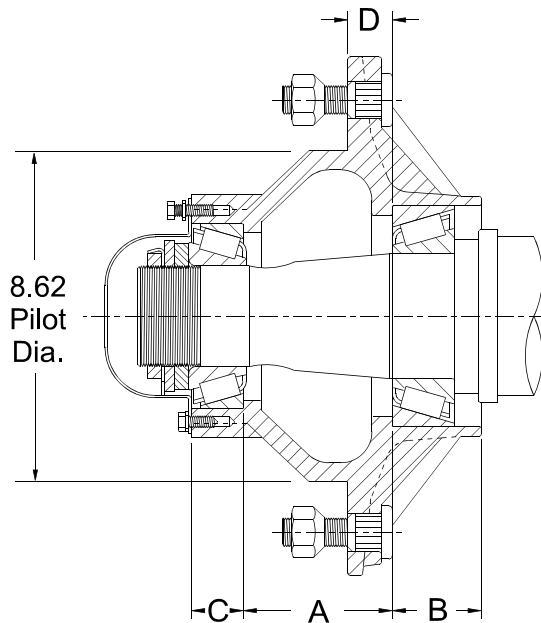
Wheel Hub Assemblies

WHEEL HUB ASSEMBLIES

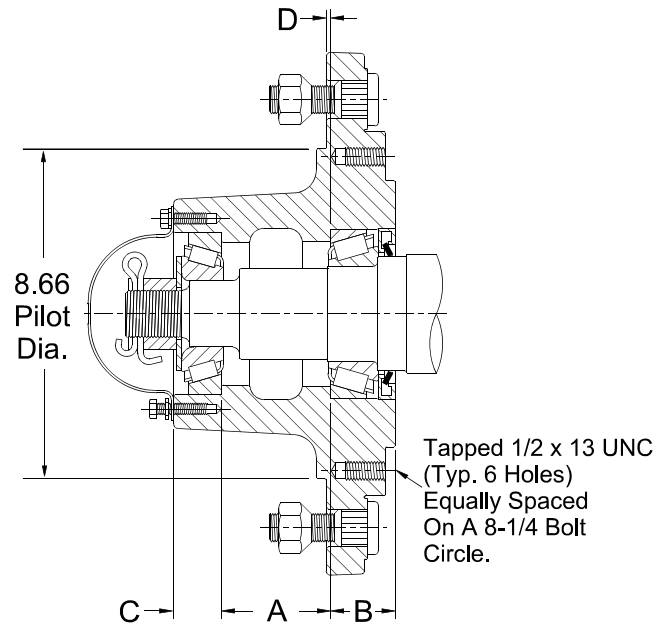


OMAHA, NEBRASKA
(402) 453-9595
1-800-442-6009
FAX (402) 453-1740

10 BOLT, 11.25" BOLT CIRCLE, 8.62 PILOT AND 8.66 PILOT 19000 to 13800 Pound Capacity



51001900



51010871

Wheel Hub
Assemblies

Wheel Hub Assemblies include: Bearing Cups, Bearing Cones, Wheel Bolts, Wheel Nuts, Hub Cap and Grease Seal.

Spindle Assemblies are sold separately. See page 122 for Spindle information.

See page 124 for Bearing Cup, Bearing Cone and Grease Seal interchange information.

Dimensional Information

Stock No.	Wt. Lbs.	Dimensions				Cap. Lbs.
		A	B	C	D	
51001900	55.00	4.27	2.32	1.35	1.55	19000 *
51010871+	66.00	2.81	1.72	1.28	.06	13800 **

+ Brake Hub

* Hub capacity is based on 0.0 offset.

** Hub capacity is based on .56 positive wheel offset (outset)

Components

Stock No.	Inner Cup	Outer Cup	Inner		Outer		Wheel Bolt	Wheel Nut	Hub Cap	Grease Seal	Spindle No.^^
			Cone	Bore	Cone	Bore					
51001900	511-0653	511-2011	512-0663	3.25	512-2049	2.63	54101216	55001216	563-3600	513-0541	529-0450
51010871	511-9520	511-0453	512-9585	2.50	512-0460	1.75	54101216	55001216	564-2700	513-0632	531-0312

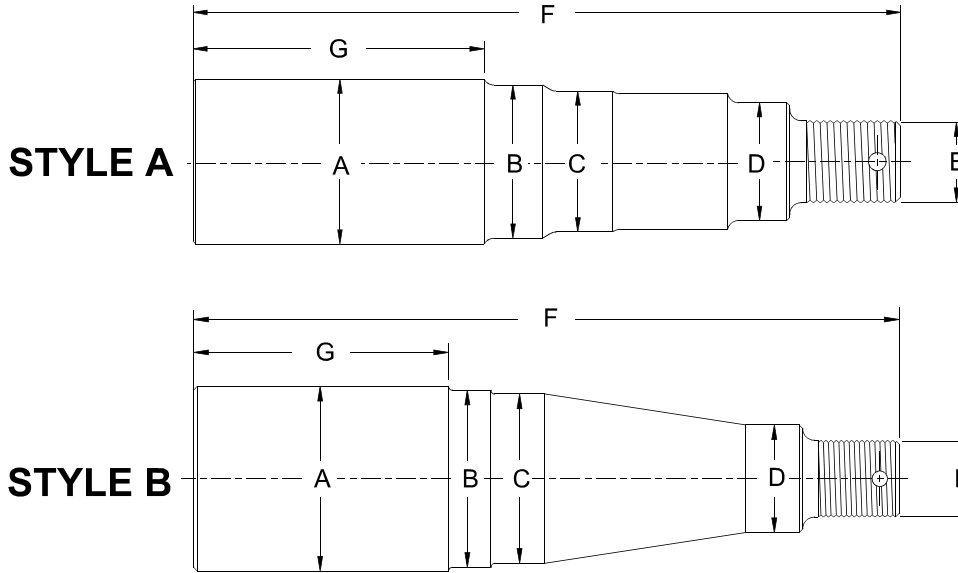
^^ Spindle is NOT included with Wheel Hub Assembly.

Manufactured in the USA by G&G Manufacturing Co.



OMAHA, NEBRASKA
 (402) 453-9595
 1-800-442-6009
 FAX (402) 453-1740

SPINDLE ASSEMBLIES



Dimensional Information

Stock No.	Wt. Lbs.	Style	A	B	C	D	E UNF Thds.	F	G
521-0163	4.50	A	1.63	1.50	1.2495/1.2480	.7495/.7480	5/8 x 18	9.00	5.34
522-0150	6.00	A	1.50	1.44	1.3767/1.3747	.8650/.8630	3/4 x 16	11.00	6.88
522-0175	7.00	A	1.75	1.44	1.3767/1.3747	.8650/.8630	3/4 x 16	11.75	7.63
523-0175	7.00	A	1.75	1.50	1.3745/1.3735	1.2495/1.2485	7/8 x 14	11.50	7.12
524-0175	8.00	A	1.75	1.63	1.4951/1.4941	1.2495/1.2485	7/8 x 14	12.50	8.07
524-0200	10.50	A	2.00	1.63	1.4951/1.4941	1.2495/1.2485	7/8 x 14	14.00	9.57
525-0163	5.00	A	1.63	1.50	1.2495/1.2480	.7495/.7480	3/4 x 16	10.38	5.79
526-0175	9.00	A	1.75	1.69	1.6245/1.6235	1.2495/1.2485	1 x 14	14.00	9.15
526-0200	11.00	A	2.00	1.69	1.6245/1.6235	1.2495/1.2485	1 x 14	14.00	9.15
527-0212	13.00	A	2.12	2.00	1.7955/1.7945	1.3745/1.3735	7/8 x 14	15.44	9.33
528-0300	28.00	B	3.00	2.88	2.7495/2.7480	1.7495/1.7480	1-1/4 x 12	15.44	8.12
529-0450	51.00	B	4.12	4.00	3.2495/3.2480	2.6245/2.6230	2-5/8 x 16	15.38	6.00
530-0175	8.00	A	1.75	1.63	1.4995/1.4985	1.2495/1.2485	7/8 x 14	12.50	8.03
531-0312	34.00	A	3.12	3.00	2.4995/2.4985	1.7495/1.7485	1-1/4 x 12	17.38	10.00

Components

Stock No.	Washer	Nut	Cotter Pin
521-0163	514-0001	515-2197	516-0001
522-0150	514-0002	515-1934	516-0002
522-0175	514-0002	515-1934	516-0002
523-0175	514-0003	515-1652	516-0002
524-0175	514-0003	515-1652	516-0002
524-0200	514-0003	515-1652	516-0002
525-0163	514-0002	515-1769	516-0001
526-0175	514-0004	515-1942	516-0002
526-0200	514-0004	515-1942	516-0002
527-0212	514-0003	515-1652	516-0002
528-0300	514-0005	515-2205	516-0003
529-0450	514-1900	515-1918	--
	514-1884	515-1892	--
530-0175	514-0003	515-1652	516-0002
531-0312	514-0007	515-1975	516-0003

Spindle Assemblies include: Washer, Nut and Cotter Pin.

Wheel Hub Assemblies are sold separately. See pages 115 –119 for Wheel Hub information.

See page 125 for Washer, Nut and Cotter Pin information.

WHEEL HUB ASSEMBLY COMPONENTS

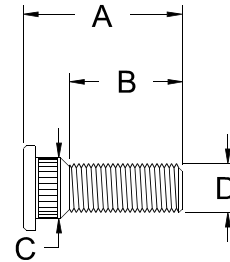
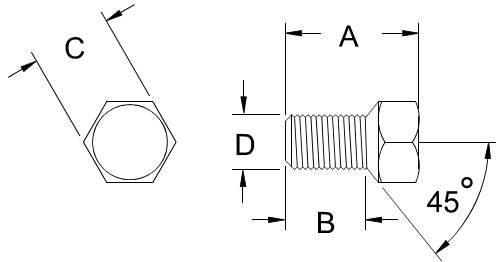


OMAHA, NEBRASKA
(402) 453-9595
1-800-442-6009
FAX (402) 453-1740

WHEEL BOLTS

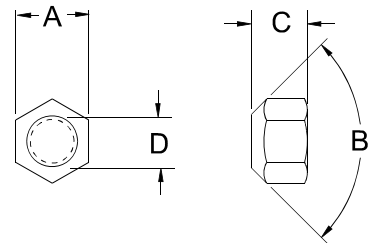
Stock No.	A	B	C	D	Wt. Lbs.
540-0820	1.50	1.00	.75	1/2 x 20 UNF	.11
54000820	1.25	.75	.75	1/2 x 20 UNF	.09
54000918	1.75	1.13	.88	9/16 x 18 UNF	.18

Stock No.	A	B	C	D	Wt. Lbs.
541-0820	1.50	1.15	.62	1/2 x 20 UNF	.09
54100820	1.85	1.27	.62	1/2 x 20 UNF	.10
54101216	2.56	1.68	1.01	3/4 x 16 UNF	.36

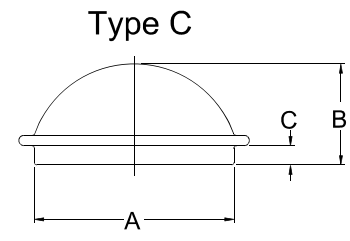
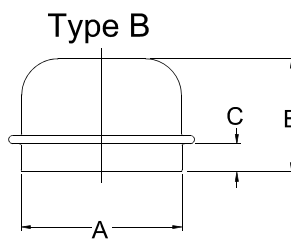
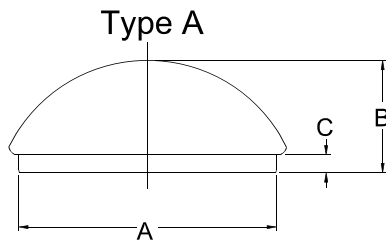


WHEEL NUTS

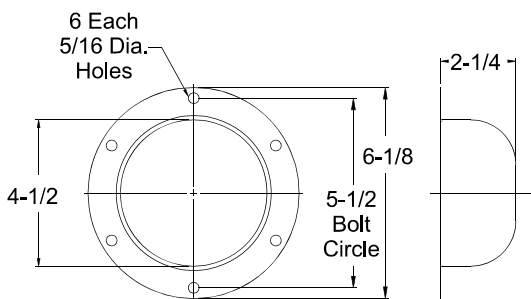
Stock No.	A	B	C	D	Wt. Lbs.
550-0820	13/16	90°	5/8	1/2 x 20 UNF	.10
55001216	1-1/2	100°	7/8	3/4 x 16 UNF	.32



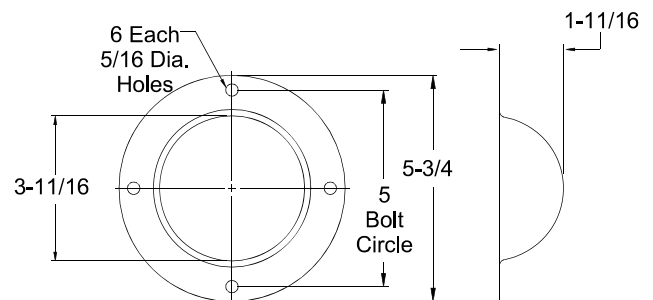
HUB CAPS



Stock No.	Type	A	B	C	Wt. Lbs.
560-2008	A	2.448	1-1/4	1/4	.25
561-2209	B	1.943	1-3/8	9/32	.11
561-2618	B	3.355	1-5/8	9/16	.27
56102211	B	1.958	1-3/8	11/32	.11
562-2207	C	3.157	1-3/8	7/32	.28



563-3600



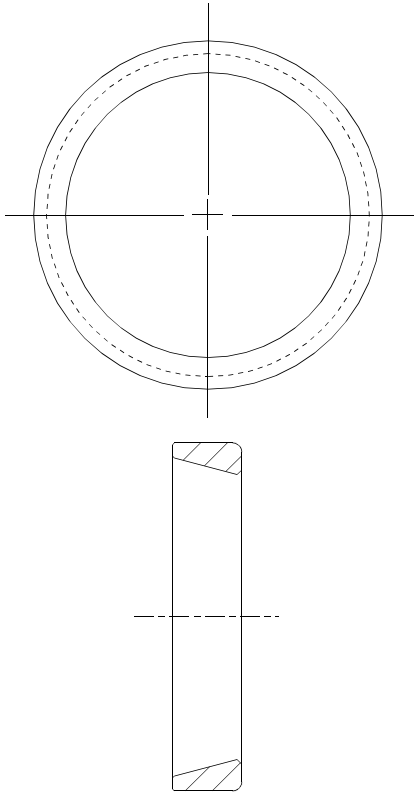
564-2700



OMAHA, NEBRASKA
 (402) 453-9595
 1-800-442-6009
 FAX (402) 453-1740

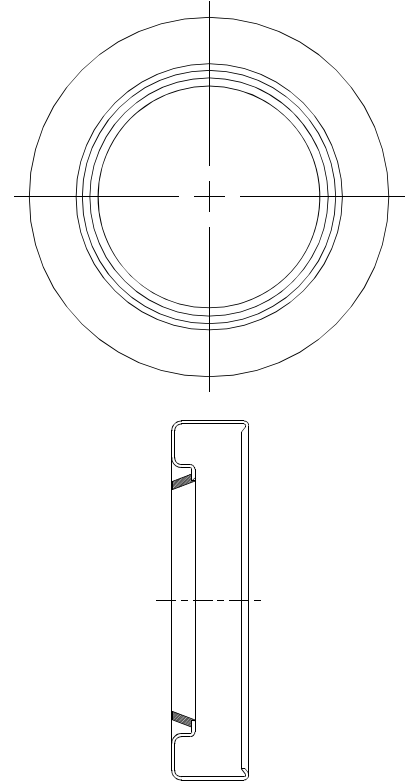
WHEEL HUB ASSEMBLY COMPONENTS

Wheel Hub Assemblies



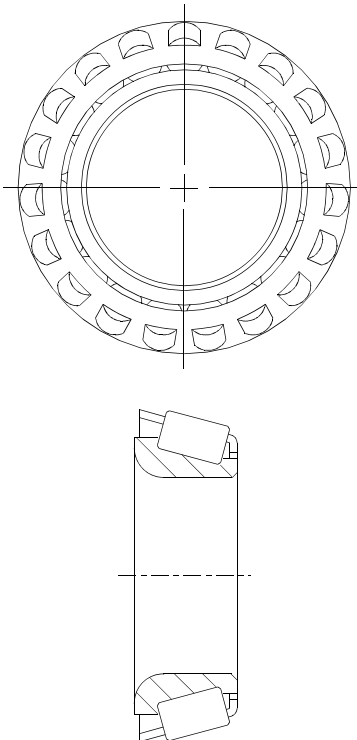
BEARING CUPS

Stock No.	Description/ Interchange No.
511-0453	453A Bearing Cup
511-0653	653 Bearing Cup
511-1310	LM501310 Bearing Cup
511-1910	LM11910 Bearing Cup
511-2011	HM212011 Bearing Cup
511-2711	LM12711 Bearing Cup
511-3410	LM613410 Bearing Cup
511-5520	25520 Bearing Cup
511-5521	25521 Bearing Cup
511-5821	25821 Bearing Cup
511-7010	LM67101 Bearing Cup
511-8111	L68111 Bearing Cup
511-8510	LM48510 Bearing Cup
511-9310	JL69310 Bearing Cup
511-9520	39520 Bearing Cup
511-9710	LM29710 Bearing Cup



BEARING CONES

Stock No.	Description/ Interchange No.
512-0460	460 Bearing Cone
512-0663	663 Bearing Cone
512-1349	LM501349 Bearing Cone
512-1949	LM11949 Bearing Cone
512-2049	HM212049 Bearing Cone
512-2749	LM12749 Bearing Cone
512-3449	LM613449 Bearing Cone
512-5580	25580 Bearing Cone
512-5590	25590 Bearing Cone
512-5877	25877 Bearing Cone
512-7048	LM67048 Bearing Cone
512-8149	L68149 Bearing Cone
512-8548	LM48548 Bearing Cone
512-9349	JL69349 Bearing Cone
512-9585	39585 Bearing Cone
512-9749	LM29749 Bearing Cone



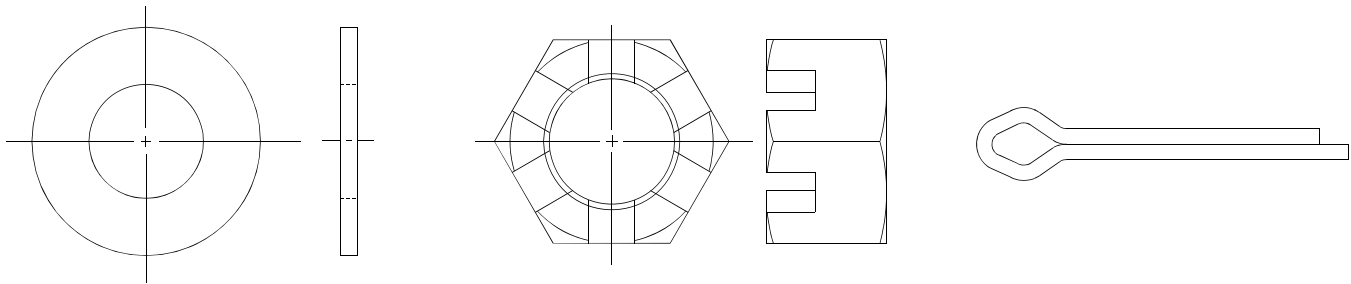
GREASE SEALS

Stock No.	Description/ Interchange No.
513-0541	300541 CR #40108 Grease Seal
513-0558	300558 CR #14979 Grease Seal
513-0574	300574 CR #15190 Grease Seal
513-0582	300582 CR #16289 Grease Seal
513-0590	300590 CR #20148 Grease Seal
513-0608	300608 CR #14283 Grease Seal
513-0616	300616 CR #542721 Grease Seal
513-0632	300632 CR #30095 Grease Seal
513-0749	300749 CR #28848 Grease Seal

SPINDLE ASSEMBLY COMPONENTS



OMAHA, NEBRASKA
(402) 453-9595
1-800-442-6009
FAX (402) 453-1740



WASHERS

Stock No.	Description
514-0001	SAE 5/8 Flat Washer
514-0002	SAE 3/4 Flat Washer
514-0003	SAE 7/8 Flat Washer
514-0004	SAE 1 Flat Washer
514-0005	SAE 1-1/4 Flat Washer
514-0007	USS 1-1/4 Flat Washer
514-1884	E2237 Outer Lock Washer
514-1900	E573 Inner Lock Washer

NUTS

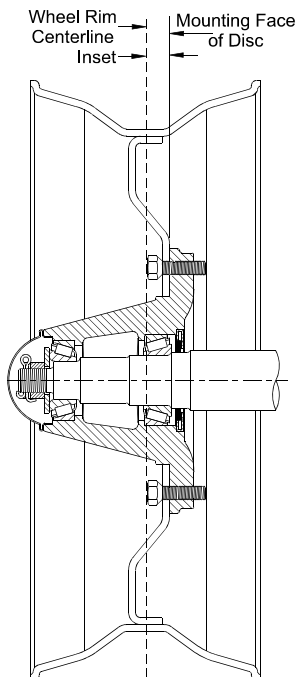
Stock No.	Description
515-1652	7/8 x 14 Std. Slotted Nut
515-1769	3/4 x 16 Std. Slotted Nut
515-1892	2-5/8 x 16 Outer Lock Nut
515-1918	2-5/8 x 16 Inner Lock Nut
515-1934	3/4 x 16 Jam Slotted Nut
515-1942	1 x 14 Thin Slotted Nut
515-1975	1-1/4 x 12 Thick Slotted Nut
515-2197	5/8 x 18 Std. Slotted Nut
515-2205	1-1/4 x 12 Std. Slotted Nut

COTTER PINS

Stock No.	Description
516-0001	5/32 x 1-1/4 Cotter Pin
516-0002	5/32 x 1-1/2 Cotter Pin
516-0003	1/4 x 2-1/4 Cotter Pin

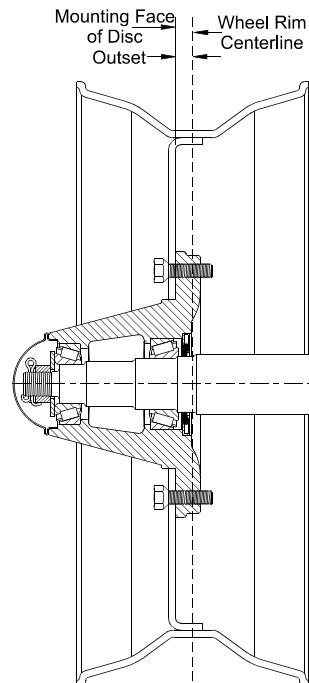
Larger/thicker washers or Flange Nuts are needed for Steering Applications.

DEFINITION OF INSET & OUTSET



INSET (NEGATIVE OFFSET)

Inset is the distance between the mounting face of the disc and the rim centerline. This distance is called inset when the mounting face is inside of the rim centerline.



OUTSET (POSITIVE OFFSET)

Outset is the distance between the mounting face of the disc and the rim centerline. This distance is called outset when the mounting face is outside of the rim centerline.



OMAHA, NEBRASKA
(402) 453-9595
1-800-442-6009
FAX (402) 453-1740

NOTES

SECTION INDEX



OMAHA, NEBRASKA
(402) 453-9595
1-800-442-6009
FAX (402) 453-1740

Coneflex Coupling Center	133
Key Stock Center	132
Light Duty Sheave Centers	130-131
002-7023	130
002-70235 NOVA Import	130
002-7127	131
002-71275 NOVA Import	131
L-Jaw Coupling Center NOVA Import	133
PTO Repair & Replacement Centers	128-129
002-0150	129
002-0155	128
Set Collar Center	134
Solid Steel Type A Pulley Center NOVA Import.....	132
WELDASPROCKET® & WELDAPULLEY® Center	
002-0075	126
002-00755 NOVA Import	126
WELDASPROCKET® Center	127
002-0045	127
002-00455 NOVA Import	127
Wire Rope Center	134

WWW.GGMFG.COM

Toll Free
(800) 442-6009



CATALOG
2017 - v1

**UPC Bar Coding is available on stock items
upon customer request.**

DISPLAYS



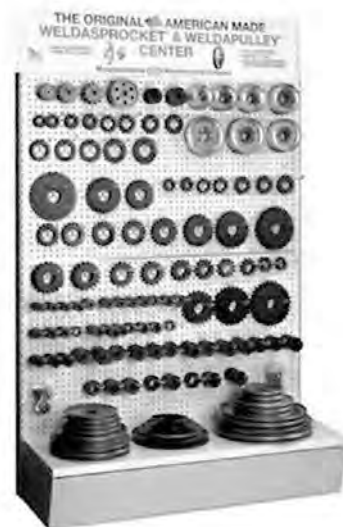
OMAHA, NEBRASKA
(402) 453-9595
1-800-442-6009
FAX (402) 453-1740

WELDASPROCKET® AND WELDAPULLEY CENTER

USA Stock No. 002-0075 NOVA Import Stock No. 002-00755

These display centers include popular sizes of No. 40, No. 50 and No. 60 WELDASPROCKETS®, WELDAPULLEYS® and WELDAHUBS® along with a 48" x 66" display rack and all the hardware to create a freestanding display center. Approximate shipping weight is 377 Lbs.

No. 40 Sprockets			No. 50 Sprockets			No. 60 Sprockets		
USA Stock No.	NOVA Import Stock No.	Qty.	USA Stock No.	NOVA Import Stock No.	Qty.	USA Stock No.	NOVA Import Stock No.	Qty.
00104012	001040125	3	00105010	001050105	3	00106009	001060095	3
00104013	001040135	3	00105011	001050115	3	00106010	001060105	3
00104014	001040145	3	00105012	001050125	3	00106011	001060115	3
00104015	001040155	3	00105013	001050135	3	00106012	001060125	3
00104016	001040165	3	00105014	001050145	3	00106013	001060135	3
00104017	001040175	3	00105015	001050155	3	00106014	001060145	3
00104018	001040185	3	00105016	001050165	3	00106015	001060155	3
00104019	001040195	3	00105017	001050175	3	00106016	001060165	2
00104020	001040205	3	00105018	001050185	3	00106017	001060175	2
00104021	001040215	2	00105019	001050195	2	00106018	001060185	2
00104022	001040225	2	00105020	001050205	2	00106019	001060195	2
00104024	001040245	2	00105021	001050215	2	00106020	001060205	2
00104026	001040265	2	00105022	001050225	2	00106021	001060215	2
00104028	001040285	2	00105024	001050245	2	00106022	001060225	2
00104030	001040305	2	00105026	001050265	2	00106024	001060245	2
00104032	001040325	2	00105028	001050285	2	00106026	001060265	2
00104036	001040365	2	00105030	001050305	2	00106028	001060285	2
00104040	001040405	1	00105032	001050325	2	00106030	001060305	2
00104045	001040455	1	00105036	001050365	2			
00104048	001040485	1						



V Hubs		
USA Stock No.	NOVA Import Stock No.	Qty.
00010008	000100085	3
00010010	000100105	3
00010012	000100125	3
00010014	000100145	3

Idler Sprockets	
USA Stock No.	Qty.
04017E08	2
05015E10	3
06013E10	3

Idler Pulleys	
USA Stock No.	Qty.
011-6410	2

W Hubs		
USA Stock No.	NOVA Import Stock No.	Qty.
00020000	000200005	2
00020008	000200085	3
	000200095	1
00020010	000200105	4
	000200115	1
00020012	000200125	4
	000200135	1
00020014	000200145	4
00020015	000200155	1
00020016	000200165	10
00020017	000200175	1
00020018	000200185	4
00020019	000200195	1
00020020	000200205	5
00021806	000218065	1
00022206	000222065	2
00023010		3

X Hubs		
USA Stock No.	NOVA Import Stock No.	Qty.
00030000	000300005	2
00030010	000300105	3
	000300115	1
00030012	000300125	4
	000300135	1
00030014	000300145	3
	000300155	2
00030016	000300165	8
00030017	000300175	1
00030018	000300185	4
00030019	000300195	1
00030020	000300205	4
	000300215	1
00030022	000300225	2
00030023	000300235	1
00030024	000300245	2
00032206	000322065	2
00033010		3

Pulleys		
USA Stock No.	NOVA Import Stock No.	Qty.
00710025		3
00710030		3
00720035	007200355	3
00720040	007200405	3
00720045	007200455	3
00720050	007200505	3
00720055	007200555	3
00720060	007200605	3
00720065	007200655	2
00720070	007200705	2
00720080	007200805	2
00720090	007200905	2
00720100	007201005	2
00720110	007201105	2
00720120	007201205	2
00720140	007201405	2
00720160	007201605	2
	007400605	1
	007400805	1
	007401005	1
	007401205	1

Displays



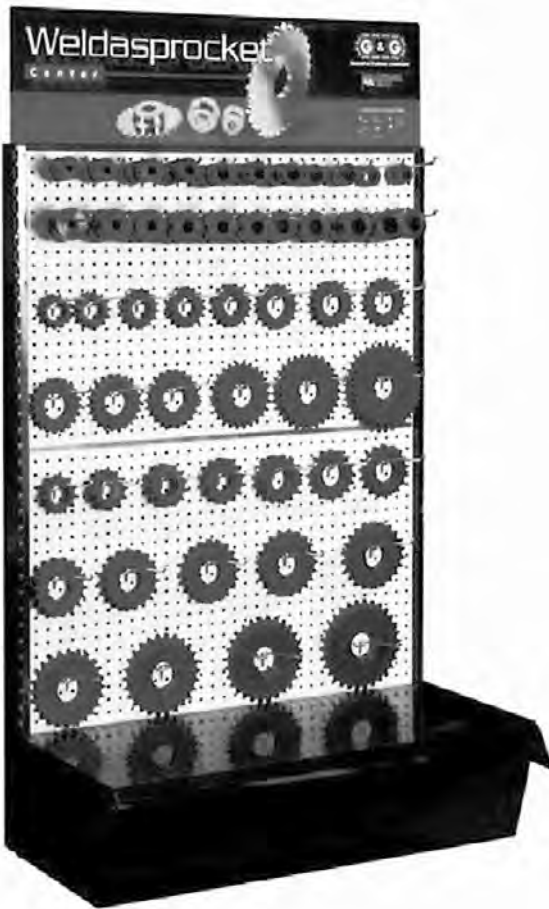
OMAHA, NEBRASKA
 (402) 453-9595
 1-800-442-6009
 FAX (402) 453-1740

DISPLAYS

WELDASPROCKET® CENTER

USA Stock No. 002-0045 NOVA Import Stock No. 002-00455

These display centers include popular sizes of No. 50 and No. 60 WELDASPROCKETS® and WELDAHUBS® along with a 36" x 54" display rack and all the hardware to create a freestanding display center. Approximate shipping weight is 176 Lbs.



Displays

No. 50 Sprockets		
USA Stock No.	NOVA Import Stock No.	Qty.
00105012	001050125	3
00105013	001050135	3
00105014	001050145	3
00105015	001050155	3
00105016	001050165	3
00105017	001050175	3
00105018	001050185	3
00105019	001050195	2
00105020	001050205	2
00105021	001050215	2
00105022	001050225	2
00105024	001050245	1
00105026	001050265	1
00105028	001050285	1
00105030	001050305	1
00105032	001050325	1
00105036	001050365	1

No 60 Sprockets		
USA Stock No.	NOVA Import Stock No.	Qty.
00106011	001060115	3
00106012	001060125	3
00106013	001060135	3
00106014	001060145	3
00106015	001060155	3
00106016	001060165	2
00106017	001060175	2
00106018	001060185	2
00106019	001060195	2
00106020	001060205	2
00106021	001060215	2
00106022	001060225	2
00106024	001060245	1
00106026	001060265	1
00106028	001060285	1
00106030	001060305	1

W Hubs		
USA Stock No.	NOVA Import Stock No.	Qty.
00020008	000200085	2
00020010	000200105	2
00020012	000200125	3
00020014	000200145	3
00020016	000200165	6
00020018	000200185	3
00020020	000200205	4
00021806	000218065	1
00022206	000222065	1
00023010		3

X Hubs		
USA Stock No.	NOVA Import Stock No.	Qty.
00030010	000300105	2
00030012	000300125	3
00030014	000300145	3
00030016	000300165	6
00030018	000300185	3
00030020	000300205	4
00030022	000300225	3
00030024	000300245	3
00032206	000322065	1
00033010		3

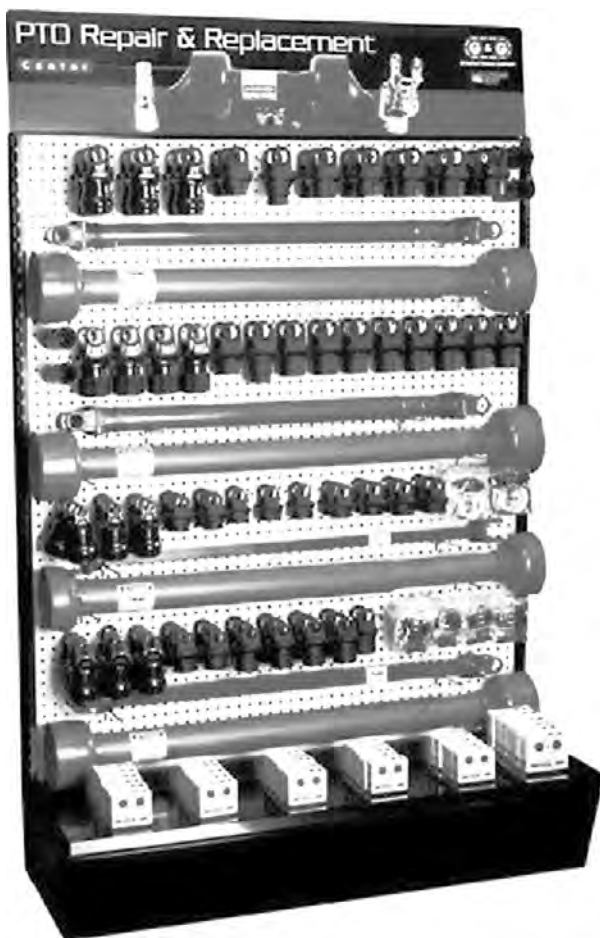
DISPLAYS



OMAHA, NEBRASKA
(402) 453-9595
1-800-442-6009
FAX (402) 453-1740

PTO REPAIR AND REPLACEMENT CENTER Stock No. 002-0155

This display center includes products to handle most repair and replacement needs for 6N, 12N, 14N and 35N Universal Joints and PTO Drivelines along with a 48" x 66" display rack and all the hardware to create a freestanding display center. NOTE: The tubing and shafting included in this display are in 6' sections. These are not shown in the photo and should not be stored on the display rack. Approximate shipping weight is 500 Lbs.



6N Series		12N Series		14N Series	
Stock No.	Qty.	Stock No.	Qty.	Stock No.	Qty.
134-1214	2	134-1618	2	140-1400	1
138-1214	2	138-1618	2	177-1400	2
177-0600	2	177-1200	2	181-1400	2
180-0600	2	180-1200	2	18231406	4
18230606	4	18231206	4	18231421	2
18230621	1	18231221	1	184-1416	2
184-0612	1	184-1216	4	184-1418	2
184-0614	1	184-1218	2	184-1420	2
184-0615	1	184-1220	2	184-1422	2
184-0616	4	184-1222	1	184-1423	2
184-0618	2	186-1200	1	185-1400	1
184-0620	2	188-1200	1	188-1400	1
186-0600	1	302-1200	10	194-1400	2
188-0600	1	303-1248	1	302-1400	10
302-0600	6			303-1248	1
303-0648	1				

35N Series			
Stock No.	Qty.	Stock No.	Qty.
136-1900	1	184-3522	2
140-3500	1	184-3523	1
177-3500	1	184-3524	2
181-3500	1	185-3500	1
18233506	3	188-3500	1
18233521	1	194-3500	2
184-3518	1	302-3500	6
184-3520	2	300-3548	1

Brg. & S/H Kits	
Stock No.	Qty.
128-0600+	4
128-1200++	8
02010300*	4
02010306**	10
02010321**	2
02010495**	4

- + The 128-0600 Bearing Kit fits 6N series Guards only.
- ++ The 128-1200 Bearing Kit fits 12N, 14N & 35N Guards.
- * The 02010300 S/H Kit fits 6N, 12N & 14N Collar Snap Hitch Yokes only. Do not use on series larger 14N.
- ** The 02010306 and 02010321 S/H Kits fit any series Pin Snap Hitch Yoke. The 02010495 S/H Kit fits any series Collar Snap Hitch Yoke.

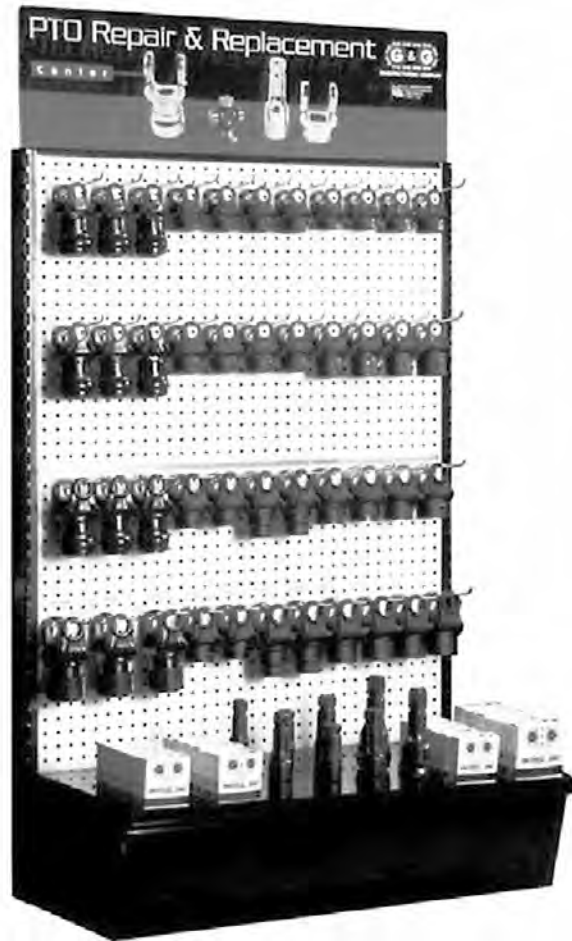


OMAHA, NEBRASKA
 (402) 453-9595
 1-800-442-6009
 FAX (402) 453-1740

DISPLAYS

PTO REPAIR AND REPLACEMENT CENTER Stock No. 002-0150

This display center includes popular yokes for 6N, 12N, 14N and 35N Universal Joints, plus repair kits and splined adapters along with a 36" x 54" display and all the hardware to create a freestanding display center. Approximate shipping weight is 180 Lbs.



Displays

6N Series		12N Series		14N Series		35N Series	
Stock No.	Qty.	Stock No.	Qty.	Stock No.	Qty.	Stock No.	Qty.
177-0600	2	177-1200	2	177-1400	2	177-3500	2
180-0600	2	180-1200	2	181-1400	2	181-3500	2
18230606	2	18231206	2	18231406	2	18233506	2
18230621	1	18231221	1	18231421	1	18233521	1
184-0616	2	184-1216	2	184-1418	1	184-3520	1
184-0618	1	184-1218	1	184-1420	2	184-3522	1
184-0620	1	184-1220	1	184-1422	1	184-3524	2
302-0600	4	302-1200	6	302-1400	6	302-3500	4

DISPLAYS

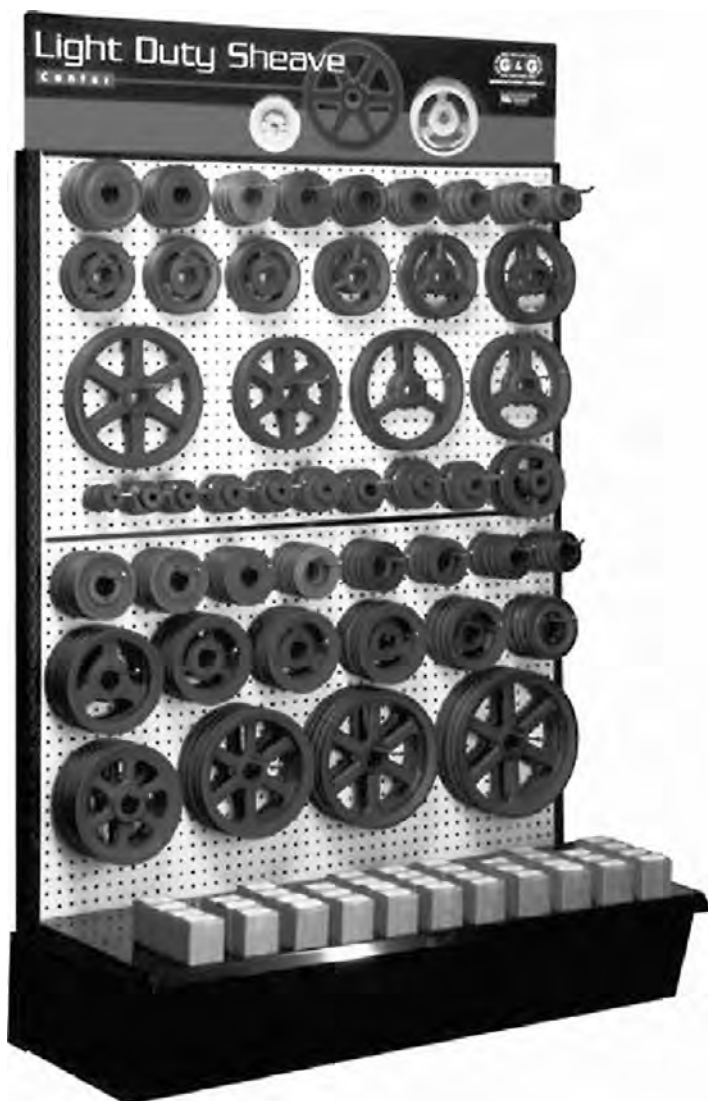


OMAHA, NEBRASKA
(402) 453-9595
1-800-442-6009
FAX (402) 453-1740

LIGHT DUTY SHEAVE CENTER

USA Stock No. 002-7023 NOVA Import Stock No. 002-70235

These display centers include popular sizes of Single and Double Groove Taper Bushed Light Duty Cast Iron Sheaves and Bushings and Single Groove Bored to Size Light Duty Cast Iron Sheaves along with a 48" x 66" display rack and all the hardware to create a freestanding display center. Approximate shipping weight is 425 Lbs.



BH Sheaves					
USA Stock No.	NOVA Import Stock No.	Qty.	USA Stock No.	NOVA Import Stock No.	Qty.
71273000	712730005	3	71276000	712760005	2
71273200	712732005	3	71276200	712762005	2
71273400	712734005	3	71276500	712765005	2
71273600	712736005	3	71277000	712770005	2
71274000	712740005	3	71278000	712780005	2
71274500	712745005	3	71279000	712790005	2
71274700	712747005	3	71279100	712791005	2
71275000	712750005	3	71279110	712791105	2
71275500	712755005	2	71279120	712791205	2
71275700	712757005	2			
DH Sheaves					
USA Stock No.	NOVA Import Stock No.	Qty.	USA Stock No.	NOVA Import Stock No.	Qty.
73273200	732732005	2	73276000	732760005	2
73273400	732734005	2	73276500	732765005	1
73273600	732736005	2	73276700	732767005	1
73274000	732740005	2	73277000	732770005	2
73274500	732745005	2	73278000	732780005	2
73274700	732747005	2	73279000	732790005	1
73275000	732750005	2	73279100	732791005	2
73275200	732752005	2	73279110	732791105	1
73275500	732755005	2	73279120	732791205	2
H Bushings					
USA Stock No.	NOVA Import Stock No.	Qty.	USA Stock No.	NOVA Import Stock No.	Qty.
75040007	750400075	2	75040016	750400165	10
75040008	750400085	4	75040017	750400175	3
75040010	750400105	5	75040018	750400185	10
75040011	750400115	2	75040019	750400195	3
75040012	750400125	5	75040020	750400205	4
75040013	750400135	2	75040022	750400225	3
75040014	750400145	2	75040023	750400235	3
75040015	750400155	2			
BC Sheaves					
USA Stock No.	NOVA Import Stock No.	Qty.	USA Stock No.	NOVA Import Stock No.	Qty.
70232010	702320105	2	70233610	702336105	2
70232510	702325105	2	70233618	702336185	2
70232610	702326105	2	70234010	702340105	2
70233010	702330105	2	70234018	702340185	2
70233410	702334105	2	70236016	702360165	2

Displays



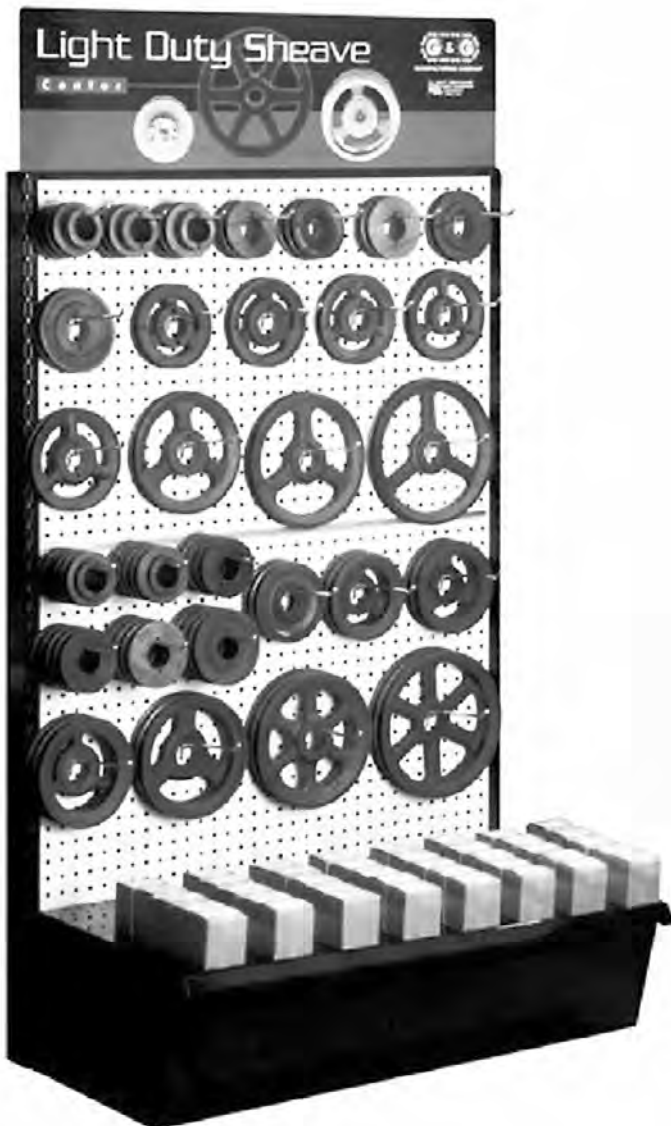
OMAHA, NEBRASKA
 (402) 453-9595
 1-800-442-6009
 FAX (402) 453-1740

DISPLAYS

LIGHT DUTY SHEAVE CENTER

USA Stock No. 002-7127 NOVA Import Stock No. 002-71275

These display centers include popular sizes of Single and Double Groove Taper Bushed Light Duty Cast Iron Sheaves and Bushings along with a 36" x 54" display rack and all the hardware to create a freestanding display center. Approximate shipping weight is 210 Lbs.



Displays

BH Sheaves

USA Stock No.	NOVA Import Stock No.	Qty.	USA Stock No.	NOVA Import Stock No.	Qty.
71273000	712730005	2	71275700	712757005	1
71273200	712732005	2	71276000	712760005	1
71273400	712734005	2	71276200	712762005	1
71273600	712736005	2	71276500	712765005	1
71274000	712740005	2	71276700	712767005	1
71274500	712745005	2	71278000	712780005	1
71275000	712750005	2	71279000	712790005	1
71275500	712755005	1	71279100	712791005	1

DH Sheaves

USA Stock No.	NOVA Import Stock No.	Qty.	USA Stock No.	NOVA Import Stock No.	Qty.
73273200	732732005	2	73276000	732760005	1
73273400	732734005	2	73276500	732765005	1
73273600	732736005	2	73277000	732770005	1
73274000	732740005	2	73278000	732780005	1
73274500	732745005	2	73279000	732790005	1
73275000	732750005	2	73279100	732791005	1
73275500	732755005	1			

H Bushings

USA Stock No.	NOVA Import Stock No.	Qty.	USA Stock No.	NOVA Import Stock No.	Qty.
75040007	750400075	2	75040017	750400175	3
75040008	750400085	3	75040018	750400185	6
75040010	750400105	4	75040019	750400195	3
75040012	750400125	3	75040020	750400205	4
75040014	750400145	3	75040022	750400225	4
75040015	750400155	3	75040023	750400235	3
75040016	750400165	6			

DISPLAYS



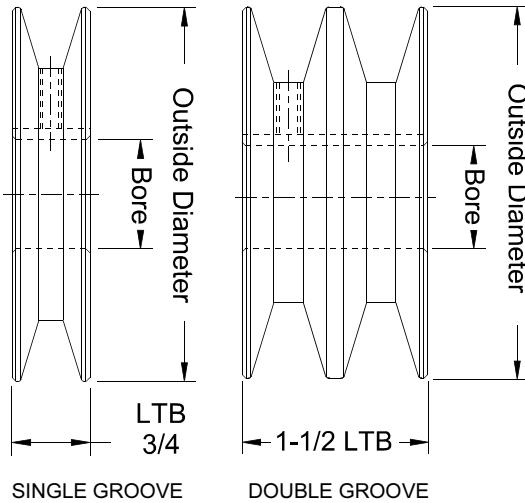
OMAHA, NEBRASKA
(402) 453-9595
1-800-442-6009
FAX (402) 453-1740

NOVA IMPORT SOLID STEEL TYPE A PULLEY DISPLAY CENTER

Stock No. 002-4142

This display center includes popular sizes of single and double groove bored to size A-style solid steel pulleys with keyway and set screw.

SINGLE GROOVE PULLEYS WITH KEYWAY & (2) SET SCREWS



NOVA Import Stock No.	O.D.	Bore	Qty.
041-4008	2-1/2	1/2	3
041-4808	3	1/2	1
041-4010	2-1/2	5/8	2
041-4810	3	5/8	3
041-5610	3-1/2	5/8	3
041-6410	4	5/8	2
041-4012	2-1/2	3/4	2
041-4812	3	3/4	2
041-5612	3-1/2	3/4	2
041-6412	4	3/4	2
041-4014	2-1/2	7/8	2
041-4814	3	7/8	2
041-5614	3-1/2	7/8	2
041-6414	4	7/8	2

NOVA Import Stock No.	O.D.	Bore	Qty.
041-4016	2-1/2	1	2
041-4816	3	1	2
041-5616	3-1/2	1	2
041-6416	4	1	2
041-4818	3	1-1/8	3
041-5618	3-1/2	1-1/8	3
041-6418	4	1-1/8	2
041-7218	4-1/2	1-1/8	2

DOUBLE GROOVE PULLEYS WITH KEYWAY & (2) SET SCREWS

NOVA Import Stock No.	O.D.	Bore	Qty.
042-4810	3	5/8	1
042-4814	3	7/8	2
042-4818	3	1-1/8	3
042-5618	3-1/2	1-1/8	2

KEY STOCK CENTER Stock No. 002-0407

This display center includes one minimum bundle of each available 1' section of Key Stock along with a sturdy cardboard display box. Approximate shipping weight is 48 Lbs.



USA Stock No.	Qty.
407-0300	42
407-0400	28
407-0500	21
407-0600	16
407-0604	11
407-0800	17

Manufactured in the USA by G&G Manufacturing Co.



OMAHA, NEBRASKA
 (402) 453-9595
 1-800-442-6009
 FAX (402) 453-1740

DISPLAYS

CONEFLEX COUPLING CENTER Stock No. 002-0065

This display center includes nine of the most popular #3 Coupling Halves and both styles of Inserts along with a sturdy cardboard display box. Approximate shipping weight is 42 Lbs.

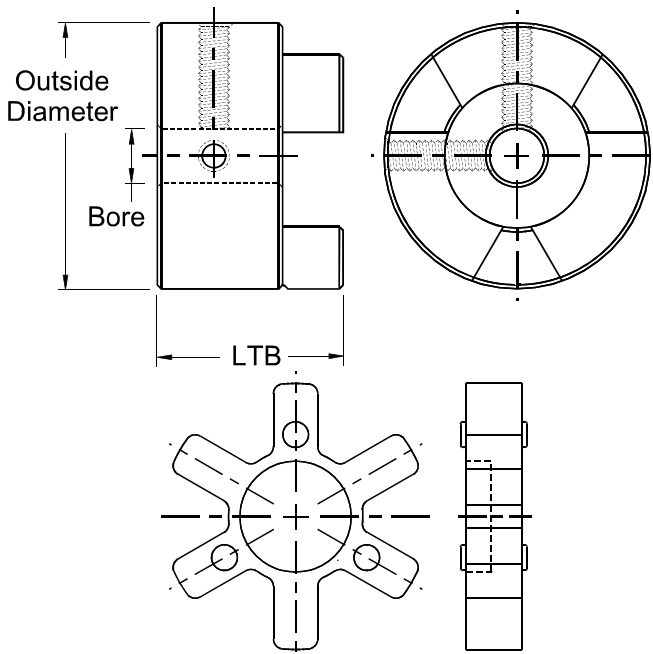


USA Stock No.	Qty.
233-0306	2
233-0307	6
233-0308	4
233-0310	4
233-0312	6
233-0314	4
233-0315	4
233-0316	6
233-0318	2
234-0300	15
234-H300	4

Manufactured in the USA by G&G Manufacturing Co.

NOVA IMPORT TYPE L JAW COUPLING CENTER Stock No. 002-L0955

This display center includes 7 of the most popular sizes of L095 L-Jaw Couplers and Buna-N-Spider Inserts. Approximate shipping weight is 21.5 Lbs.



NOVA Import Stock No.	Description	Qty.
L095MPB5	7/16" Stock Bore	1
L095125	1/2" Bore	2
L095585	5/8" Bore	4
L095345	3/4" Bore	4
L095785	7/8" Bore	4
L09515165	15/16" Bore	4
L09515	1" Bore	4
L0951185	1-1/8" Bore	2
L090N5	Buna-N-Spider (Insert)	10

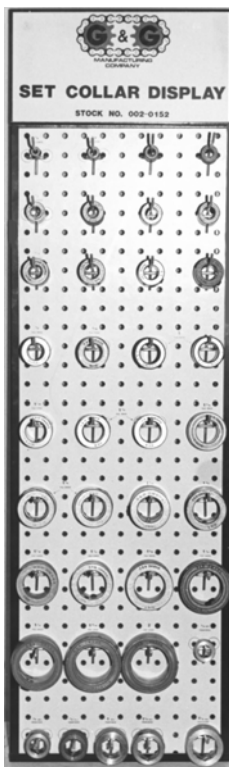
DISPLAYS



OMAHA, NEBRASKA
(402) 453-9595
1-800-442-6009
FAX (402) 453-1740

SET COLLAR CENTER Stock No. 002-01525

This display center includes popular sizes of Round Bore and Hex Bore Set collars along with a 12" x 32" display rack and all the hardware to create a complete display center. Approximate shipping weight is 34 Lbs.



Round Bore			
NOVA Import Stock No.	Qty.	NOVA Import Stock No.	Qty.
152-04005	4	152-17005	3
152-05005	4	152-18005	6
152-06005	6	152-19005	3
152-07005	4	152-20005	6
152-08005	8	152-21005	3
152-09005	3	152-22005	4
152-10005	8	152-23005	3
152-11005	3	152-24005	4
152-12005	8	152-26005	2
152-13005	3	152-28005	2
152-14005	6	152-30005	2
152-15005	4	152-31005	2
152-16005	10	152-32005	2
Hex Bore			
USA Stock No.	Qty.	USA Stock No.	Qty.
152H1000	3	152H1600	3
152H1200	3	152H1800	3
152H1400	3	152H2000	3

WIRE ROPE PULLEY CENTER Stock No. 002-0115

This package includes popular sizes of Wire Rope Pulleys and Powdered Metal Bushings. Approximate shipping weight is 47 Lbs.

Wire Rope Pulleys			
Stock No.	Qty.	Stock No.	Qty.
150-3217	3	150-4825	3
150-3221	3	150-5617	3
150-3225	3	150-5621	3
150-4017	3	150-5625	3
150-4021	3	150-6417	3
150-4025	3	150-6421	3
150-4817	3	150-6425	3
150-4821	3		

P/M Bushings			
Stock No.	Qty.	Stock No.	Qty.
151-0817	3	151-1025	3
151-0821	3	151-1217	3
151-0825	3	151-1221	3
151-1017	3	151-1225	3
151-1021	3		

Manufactured in the USA by G&G Manufacturing Co.



OMAHA, NEBRASKA
(402) 453-9595
1-800-442-6009
FAX (402) 453-1740

NOTES

SECTION INDEX



OMAHA, NEBRASKA
(402) 453-9595
1-800-442-6009
FAX (402) 453-1740

Light Duty Sheaves	169-177
AB Dbl. Groove, Bored to Size	177
AB Sgl. Groove, Bored to Size.....	176
AB Dbl. Groove, Bushed	172
AB Sgl. Groove, Bushed	171
H Bushings	173
OA Dbl. Groove, Bored to Size	175
OA Sgl. Groove, Bored to Size.....	174
OA Dbl. Groove, Bushed	170
OA Sgl. Groove, Bushed	169
NOVA Import Light Duty Sheaves.....	178-179
AB Sgl. Groove, Bored to Size.....	178
AB Dbl. Groove, Bushed	179
AB Sgl. Groove, Bushed	179
H Bushings	178
QD Conventional Sheaves	151-168
AB Combination Groove	151-158
C Groove	159-166
Groove Dimensions	167
QD Bushing Data.....	167-168
QD Super-V Sheaves	135-150
3V Groove	135-140
5V Groove	141-147
8V Groove	148-150
Groove Dimensions	167
Variable Pitch Light Duty Sheaves	180
Double Groove	180
Single Groove.....	180



CATALOG
2017 - v1

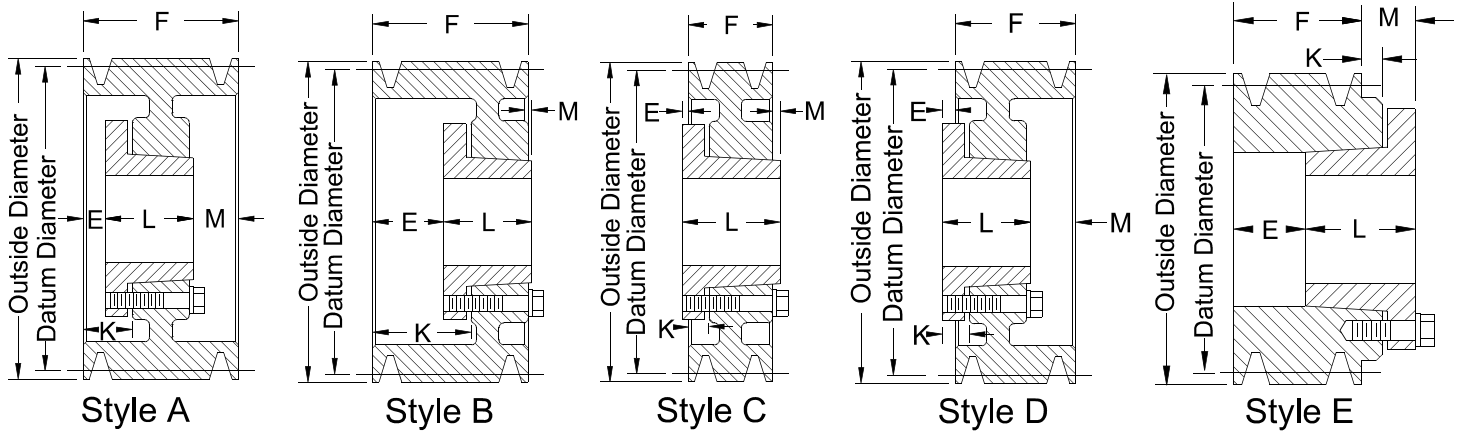
**UPC Bar Coding is available on stock items
upon customer request.**

QD SUPER-V SHEAVES



OMAHA, NEBRASKA
(402) 453-9595
1-800-442-6009
FAX (402) 453-1740

3V GROOVE



1 GROOVE

Stock No.	Description	Outside Dia.	Datum Dia.	Style [^]	Dimensions					Fits Bush.	Wt. Lbs.**
					E*	F	K	L	M*		
78100220	1 3V 220 JA	2.20	2.15	E-1	9/16	11/16	7/16	1	15/16	JA	.70
78100235	1 3V 235 JA	2.35	2.30	E-1	9/16	11/16	7/16	1	15/16	JA	.80
78100250	1 3V 250 JA	2.50	2.45	E-1	9/16	11/16	7/16	1	15/16	JA	.80
78100265	1 3V 265 JA	2.65	2.60	C-1	3/8	11/16	1/8	1	0	JA	.90
78100280	1 3V 280 JA	2.80	2.75	C-1	3/8	11/16	1/8	1	0	JA	.90
78100300	1 3V 300 JA	3.00	2.95	C-1	3/8	11/16	1/8	1	0	JA	1.00
78100315	1 3V 315 JA	3.15	3.10	C-1	3/8	11/16	1/8	1	0	JA	1.00
78100335	1 3V 335 JA	3.35	3.30	C-1	3/8	11/16	1/8	1	0	JA	1.10
78100365	1 3V 365 SH	3.65	3.60	D-1	9/16	11/16	0	1-5/16	1/16	SH	1.30
78100412	1 3V 412 SH	4.12	4.07	D-1	9/16	11/16	0	1-5/16	1/16	SH	1.70
78100450	1 3V 450 SH	4.50	4.45	D-2	9/16	11/16	0	1-5/16	1/16	SH	2.10
78100475	1 3V 475 SH	4.75	4.70	D-2	9/16	11/16	0	1-5/16	1/16	SH	2.50
78100500	1 3V 500 SH	5.00	4.95	D-2	9/16	11/16	0	1-5/16	1/16	SH	2.80
78100530	1 3V 530 SH	5.30	5.25	D-2	9/16	11/16	0	1-5/16	1/16	SH	3.20
78100560	1 3V 560 SH	5.60	5.55	D-2	9/16	11/16	0	1-5/16	1/16	SH	3.20
78100600	1 3V 600 SH	6.00	5.95	D-2	9/16	11/16	0	1-5/16	1/16	SH	3.50
78100650	1 3V 650 SH	6.50	6.45	D-3	9/16	11/16	0	1-5/16	1/16	SH	3.90
78100690	1 3V 690 SH	6.90	6.85	D-3	9/16	11/16	0	1-5/16	1/16	SH	4.50
78100800	1 3V 800 SDS	8.00	7.95	C-3	5/8	3/4	0	1-5/16	0	SDS	5.50
78101060	1 3V 1060 SDS	10.60	10.55	C-3	5/8	3/4	0	1-5/16	0	SDS	8.00
78101400	1 3V 1400 SK	14.00	13.95	C-3	11/16	13/16	0	1-15/16	0	SK	13.50
78101900	1 3V 1900 SK	19.00	18.95	C-3	11/16	13/16	0	1-15/16	0	SK	17.00

* E and M are reference dimensions only. ** Weights are for the sheave only, less the bushing.

[^] Numbers following the style letter indicate construction: 1-Solid, 2-Web, 3-Spoke.

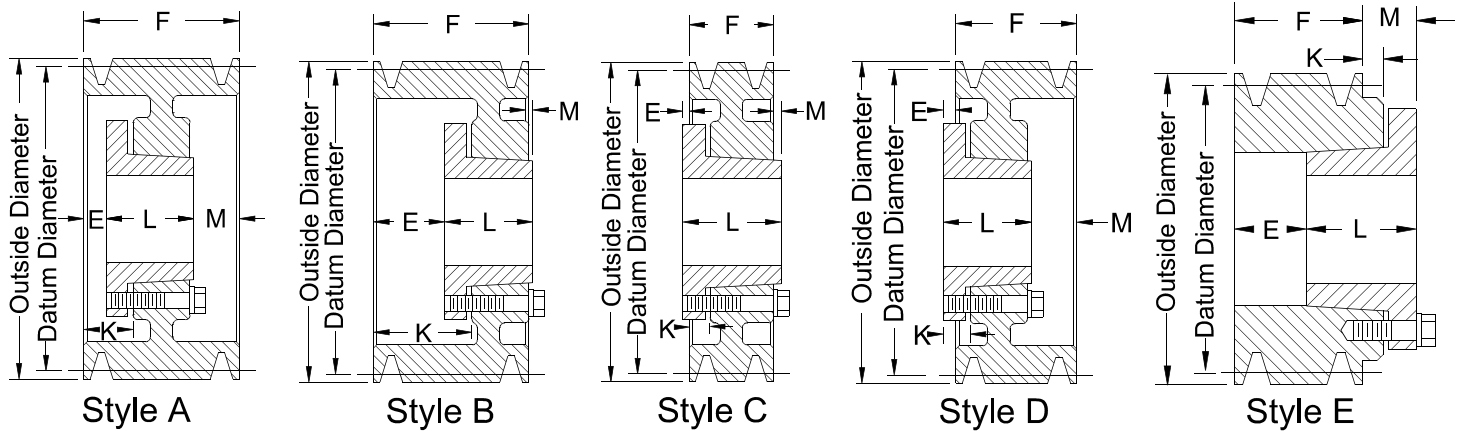
CAUTION: Do not use with rim speeds in excess of 6500 feet per minute.



OMAHA, NEBRASKA
(402) 453-9595
1-800-442-6009
FAX (402) 453-1740

QD SUPER-V SHEAVES

3V GROOVE



2 GROOVE

Stock No.	Description	Outside Dia.	Datum Dia.	Style [^]	Dimensions					Fits Bush.	Wt. Lbs.**
					E*	F	K	L	M*		
78200220	2 3V 220 JA	2.20	2.15	E-1	31/32	1-3/32	7/16	1	15/16	JA	.90
78200235	2 3V 235 JA	2.35	2.30	E-1	31/32	1-3/32	7/16	1	15/16	JA	1.00
78200250	2 3V 250 JA	2.50	2.45	E-1	31/32	1-3/32	7/16	1	15/16	JA	1.20
78200265	2 3V 265 JA	2.65	2.60	D-1	3/8	1-3/32	1/8	1	13/32	JA	1.30
78200280	2 3V 280 JA	2.80	2.75	D-1	3/8	1-3/32	1/8	1	13/32	JA	1.40
78200300	2 3V 300 JA	3.00	2.95	D-1	3/8	1-3/32	1/8	1	13/32	JA	1.60
78200315	2 3V 315 JA	3.15	3.10	D-1	3/8	1-3/32	1/8	1	13/32	JA	1.80
78200335	2 3V 335 SH	3.35	3.30	D-1	27/64	1-3/32	9/64	1-5/16	13/64	SH	2.00
78200365	2 3V 365 SH	3.65	3.60	D-1	27/64	1-3/32	9/64	1-5/16	13/64	SH	2.40
78200412	2 3V 412 SH	4.12	4.07	D-1	9/32	1-3/32	9/32	1-5/16	1/16	SH	2.70
78200450	2 3V 450 SH	4.50	4.45	D-1	1/4	1-3/32	5/16	1-5/16	1/32	SH	2.90
78200475	2 3V 475 SH	4.75	4.70	D-1	1/4	1-3/32	5/16	1-5/16	1/32	SH	3.10
78200500	2 3V 500 SH	5.00	4.95	D-1	1/4	1-3/32	5/16	1-5/16	1/32	SH	3.60
78200530	2 3V 530 SH	5.30	5.25	D-1	1/4	1-3/32	5/16	1-5/16	1/32	SH	4.50
78200560	2 3V 560 SH	5.60	5.55	D-1	1/4	1-3/32	5/16	1-5/16	1/32	SH	5.00
78200600	2 3V 600 SH	6.00	5.95	D-1	1/4	1-3/32	5/16	1-5/16	1/32	SH	5.50
78200650	2 3V 650 SDS	6.50	6.45	D-3	5/16	1-3/32	5/16	1-5/16	1/32	SDS	5.80
78200690	2 3V 690 SDS	6.90	6.85	D-3	5/16	1-3/32	5/16	1-5/16	1/32	SDS	6.60
78200800	2 3V 800 SDS	8.00	7.95	D-3	5/16	1-3/32	5/16	1-5/16	1/32	SDS	7.00
78201060	2 3V 1060 SK	10.60	10.55	C-3	7/16	1-3/32	1/4	1-15/16	13/32	SK	10.00
78201400	2 3V 1400 SK	14.00	13.95	C-3	7/16	1-3/32	1/4	1-15/16	13/32	SK	16.00
78201900	2 3V 1900 SK	19.00	18.95	C-3	7/16	1-3/32	1/4	1-15/16	13/32	SK	25.00
78202500	2 3V 2500 SF	25.00	24.95	C-3	7/16	1-3/32	1/4	2-1/16	11/32	SF	28.00

* E and M are reference dimensions only. ** Weights are for the sheave only, less the bushing.

[^] Numbers following the style letter indicate construction: 1-Solid, 2-Web, 3-Spoke.

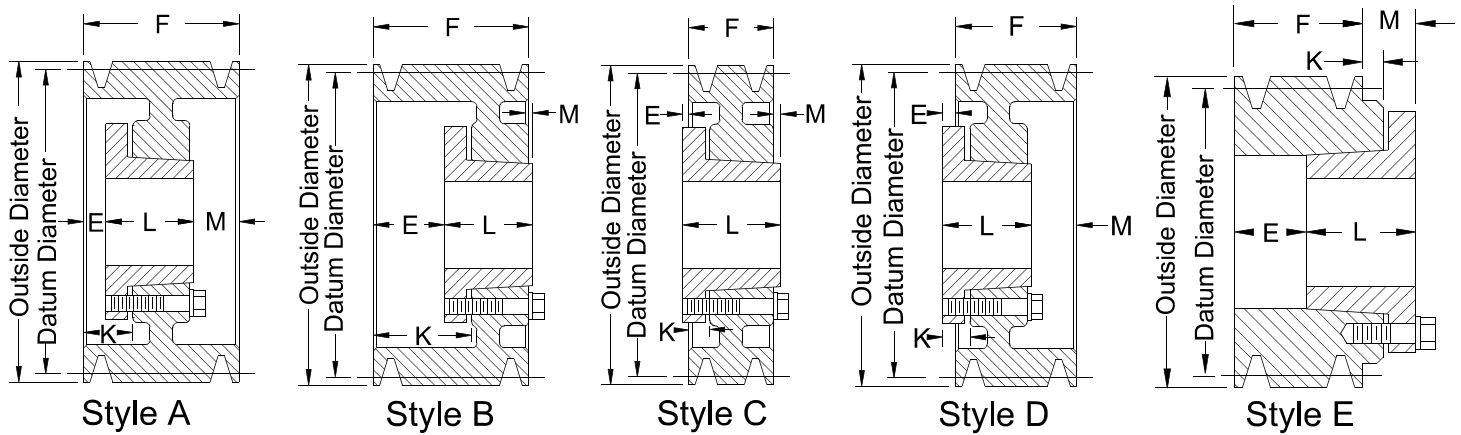
CAUTION: Do not use with rim speeds in excess of 6500 feet per minute.

QD SUPER-V SHEAVES



OMAHA, NEBRASKA
(402) 453-9595
1-800-442-6009
FAX (402) 453-1740

3V GROOVE



3 GROOVE

Stock No.	Description	Outside Dia.	Datum Dia.	Style [^]	Dimensions					Fits Bush.	Wt. Lbs.**
					E*	F	K	L	M*		
78300250	3 3V 250 JA	2.50	2.45	E-1	1-3/8	1-1/2	7/16	1	15/16	JA	1.60
78300265	3 3V 265 JA	2.65	2.60	D-1	3/8	1-1/2	1/8	1	13/16	JA	1.80
78300280	3 3V 280 JA	2.80	2.75	D-1	3/8	1-1/2	1/8	1	13/16	JA	2.00
78300300	3 3V 300 SH	3.00	2.95	E-1	1-1/16	1-1/2	0	1-5/16	9/16	SH	2.20
78300315	3 3V 315 SH	3.15	3.10	E-1	1-1/16	1-1/2	5/16	1-5/16	7/8	SH	2.50
78300335	3 3V 335 SH	3.35	3.30	D-1	7/16	1-1/2	1/8	1-5/16	5/8	SH	2.80
78300365	3 3V 365 SH	3.65	3.60	D-1	7/16	1-1/2	1/8	1-5/16	5/8	SH	3.00
78300412	3 3V 412 SH	4.12	4.07	A-1	1/8	1-1/2	11/16	1-5/16	1/16	SH	3.30
78300450	3 3V 450 SDS	4.50	4.45	A-1	1/16	1-1/2	11/16	1-5/16	1/16	SDS	3.50
78300475	3 3V 475 SDS	4.75	4.70	A-1	1/16	1-1/2	11/16	1-5/16	1/16	SDS	3.70
78300500	3 3V 500 SDS	5.00	4.95	A-1	1/16	1-1/2	11/16	1-5/16	1/16	SDS	4.00
78300530	3 3V 530 SDS	5.30	5.25	A-1	1/16	1-1/2	11/16	1-5/16	1/16	SDS	4.30
78300560	3 3V 560 SDS	5.60	5.55	A-1	1/16	1-1/2	11/16	1-5/16	1/16	SDS	4.90
78300600	3 3V 600 SDS	6.00	5.95	A-1	1/16	1-1/2	11/16	1-5/16	1/16	SDS	5.90
78300650	3 3V 650 SDS	6.50	6.45	A-3	1/16	1-1/2	11/16	1-5/16	1/16	SDS	6.30
78300690	3 3V 690 SDS	6.90	6.85	A-3	1/16	1-1/2	11/16	1-5/16	1/16	SDS	6.80
78300800	3 3V 800 SK	8.00	7.95	C-2	7/16	1-1/2	1/4	1-15/16	0	SK	10.60
78301060	3 3V 1060 SK	10.60	10.55	C-3	7/16	1-1/2	1/4	1-15/16	0	SK	12.00
78301400	3 3V 1400 SK	14.00	13.95	C-3	7/16	1-1/2	1/4	1-15/16	0	SK	20.00
78301900	3 3V 1900 SF	19.00	18.95	C-3	7/16	1-1/2	1/4	2-1/16	1/8	SF	33.00
78302500	3 3V 2500 SF	25.00	24.95	C-3	7/16	1-1/2	1/4	2-1/16	1/8	SF	45.00
78303350	3 3V 3350 SF	33.50	33.45	C-3	7/16	1-1/2	1/4	2-1/16	1/8	SF	75.00

* E and M are reference dimensions only. ** Weights are for the sheave only, less the bushing.

[^] Numbers following the style letter indicate construction: 1-Solid, 2-Web, 3-Spoke.

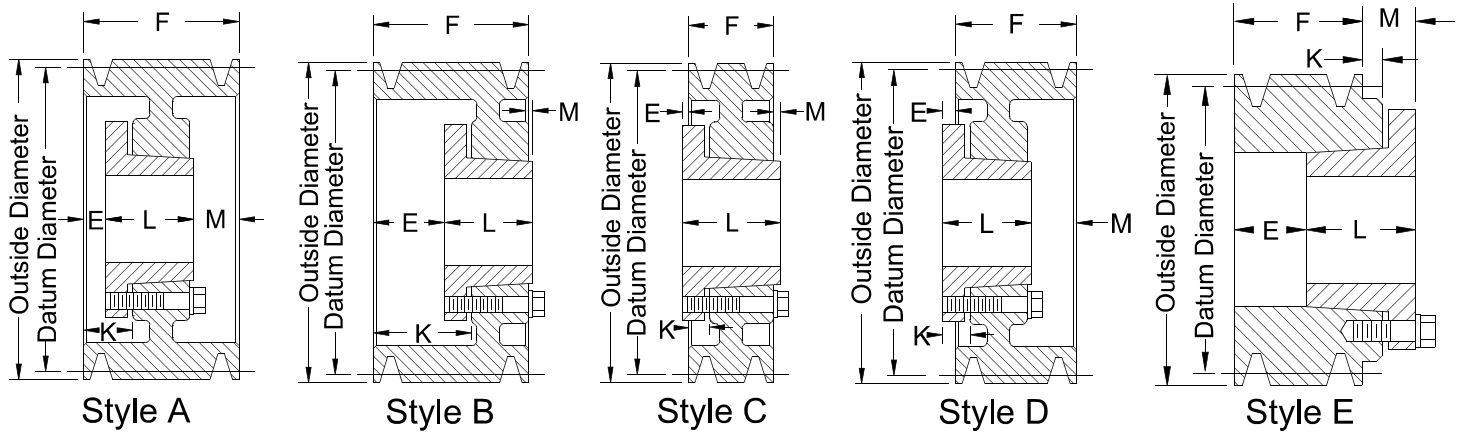
CAUTION: Do not use with rim speeds in excess of 6500 feet per minute.



OMAHA, NEBRASKA
(402) 453-9595
1-800-442-6009
FAX (402) 453-1740

QD SUPER-V SHEAVES

3V GROOVE



4 GROOVE

Stock No.	Description	Outside Dia.	Datum Dia.	Style [^]	Dimensions					Fits Bush.	Wt. Lbs.**
					E*	F	K	L	M*		
78400265	4 3V 265 JA	2.65	2.60	D-1	3/8	1-29/32	1/8	1	17/32	JA	1.30
78400280	4 3V 280 JA	2.80	2.75	D-1	3/8	1-29/32	1/8	1	17/32	JA	1.60
78400300	4 3V 300 SH	3.00	2.95	E-1	1-15/32	1-29/32	5/16	1-5/16	7/8	SH	1.90
78400315	4 3V 315 SH	3.15	3.10	E-1	1-15/32	1-29/32	5/16	1-5/16	7/8	SH	2.20
78400335	4 3V 335 SH	3.35	3.30	D-1	7/16	1-29/32	1/8	1-5/16	1-1/32	SH	2.50
78400365	4 3V 365 SH	3.65	3.60	D-1	7/16	1-29/32	1/8	1-5/16	1-1/32	SH	2.80
78400412	4 3V 412 SH	4.12	4.07	A-1	1/4	1-29/32	13/16	1-5/16	11/32	SH	3.20
78400450	4 3V 450 SDS	4.50	4.45	A-1	3/16	1-29/32	13/16	1-5/16	11/32	SDS	3.50
78400475	4 3V 475 SDS	4.75	4.70	A-1	3/16	1-29/32	13/16	1-5/16	11/32	SDS	4.00
78400500	4 3V 500 SDS	5.00	4.95	A-1	3/16	1-29/32	13/16	1-5/16	11/32	SDS	4.50
78400530	4 3V 530 SDS	5.30	5.25	A-1	3/16	1-29/32	13/16	1-5/16	11/32	SDS	5.00
78400560	4 3V 560 SDS	5.60	5.55	A-1	3/16	1-29/32	13/16	1-5/16	11/32	SDS	5.70
78400600	4 3V 600 SK	6.00	5.95	D-1	1/16	1-29/32	5/8	1-15/16	1/32	SK	7.50
78400650	4 3V 650 SK	6.50	6.45	D-2	1/16	1-29/32	5/8	1-15/16	1/32	SK	8.00
78400690	4 3V 690 SK	6.90	6.85	D-2	1/16	1-29/32	5/8	1-15/16	1/32	SK	10.00
78400800	4 3V 800 SK	8.00	7.95	D-2	1/16	1-29/32	5/8	1-15/16	1/32	SK	12.00
78401060	4 3V 1060 SK	10.60	10.55	D-3	1/16	1-29/32	5/8	1-15/16	1/32	SK	16.00
78401400	4 3V 1400 SK	14.00	13.95	D-3	1/16	1-29/32	5/8	1-15/16	1/32	SK	22.00
78401900	4 3V 1900 SF	19.00	18.95	C-3	1/16	1-29/32	5/8	2-1/16	3/32	SF	37.00
78402500	4 3V 2500 SF	25.00	24.95	C-3	1/16	1-29/32	5/8	2-1/16	3/32	SF	53.00
78403350	4 3V 3350 E	33.50	33.45	C-3	3/8	1-29/32	1/2	2-3/4	11/32	E	80.00

* E and M are reference dimensions only. ** Weights are for the sheave only, less the bushing.

[^] Numbers following the style letter indicate construction: 1-Solid, 2-Web, 3-Spoke.

CAUTION: Do not use with rim speeds in excess of 6500 feet per minute.

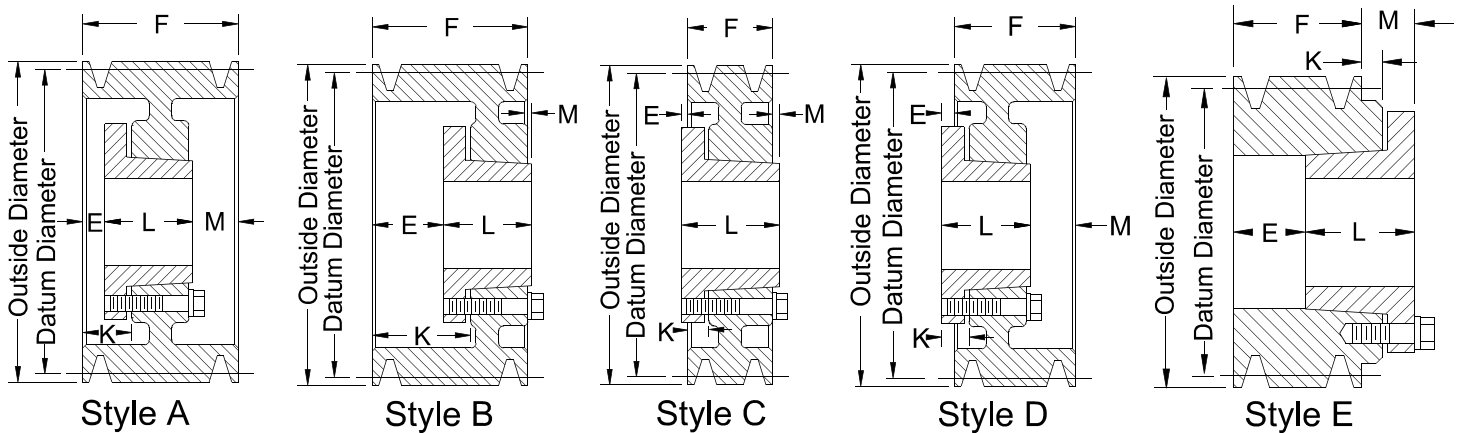
Sheaves & Bushings

QD SUPER-V SHEAVES



OMAHA, NEBRASKA
(402) 453-9595
1-800-442-6009
FAX (402) 453-1740

3V GROOVE



5 GROOVE

Stock No.	Description	Outside Dia.	Datum Dia.	Style [^]	Dimensions					Fits Bush.	Wt. Lbs.**
					E*	F	K	L	M*		
78500475	5 3V 475 SDS	4.75	4.70	A-2	3/16	2-5/16	13/16	1-5/16	3/4	SDS	4.50
78500500	5 3V 500 SDS	5.00	4.95	A-2	3/16	2-5/16	13/16	1-5/16	3/4	SDS	5.30
78500530	5 3V 530 SK	5.30	5.25	A-1	1/4	2-5/16	15/16	1-15/16	1/8	SK	5.80
78500560	5 3V 560 SK	5.60	5.55	A-1	1/4	2-5/16	15/16	1-15/16	1/8	SK	7.00
78500600	5 3V 600 SK	6.00	5.95	A-1	1/4	2-5/16	15/16	1-15/16	1/8	SK	8.30
78500650	5 3V 650 SK	6.50	6.45	A-2	1/4	2-5/16	15/16	1-15/16	1/8	SK	9.00
78500690	5 3V 690 SK	6.90	6.85	A-2	1/4	2-5/16	15/16	1-15/16	1/8	SK	12.00
78500800	5 3V 800 SK	8.00	7.95	A-2	1/4	2-5/16	15/16	1-15/16	1/8	SK	13.00
78501060	5 3V 1060 SK	10.60	10.55	A-3	1/4	2-5/16	15/16	1-15/16	1/8	SK	17.00
78501400	5 3V 1400 SF	14.00	13.95	A-3	3/16	2-5/16	7/8	2-1/16	1/16	SF	27.00
78501900	5 3V 1900 SF	19.00	18.95	A-3	3/16	2-5/16	7/8	2-1/16	1/16	SF	40.00
78502500	5 3V 2500 E	25.00	24.95	C-3	1/4	2-5/16	5/8	2-3/4	1/16	E	69.00
78503350	5 3V 3350 E	33.50	33.45	C-3	1/4	2-5/16	5/8	2-3/4	1/16	E	97.00

6 GROOVE

Stock No.	Description	Outside Dia.	Datum Dia.	Style [^]	Dimensions					Fits Bush.	Wt. Lbs.**
					E*	F	K	L	M*		
78600475	6 3V 475 SK	4.75	4.70	D-1	9/16	2-23/32	1/8	1-15/16	1-11/32	SK	6.00
78600500	6 3V 500 SK	5.00	4.95	D-1	9/16	2-23/32	1/8	1-15/16	1-11/32	SK	6.50
78600530	6 3V 530 SK	5.30	5.25	A-1	5/8	2-23/32	1-5/16	1-15/16	5/32	SK	6.80
78600560	6 3V 560 SK	5.60	5.55	A-1	5/8	2-23/32	1-5/16	1-15/16	5/32	SK	8.00
78600600	6 3V 600 SK	6.00	5.95	A-1	5/8	2-23/32	1-5/16	1-15/16	5/32	SK	9.00
78600650	6 3V 650 SK	6.50	6.45	A-2	5/8	2-23/32	1-5/16	1-15/16	5/32	SK	10.00
78600690	6 3V 690 SK	6.90	6.85	A-2	5/8	2-23/32	1-5/16	1-15/16	5/32	SK	11.50
78600800	6 3V 800 SK	8.00	7.95	A-2	3/16	2-23/32	7/8	1-15/16	19/32	SK	17.00
78601060	6 3V 1060 SF	10.60	10.55	A-2	3/16	2-23/32	7/8	2-1/16	15/32	SF	25.00
78601400	6 3V 1400 SF	14.00	13.95	A-3	3/16	2-23/32	7/8	2-1/16	15/32	SF	34.00
78601900	6 3V 1900 E	19.00	18.95	B-3	1/8	2-23/32	1	2-3/4	1/32	E	45.00
78602500	6 3V 2500 E	25.00	24.95	B-3	1/8	2-23/32	1	2-3/4	1/32	E	75.00
78603350	6 3V 3350 E	33.50	33.45	B-3	1/8	2-23/32	1	2-3/4	1/32	E	98.00

* E and M are reference dimensions only. ** Weights are for the sheave only, less the bushing.

[^] Numbers following the style letter indicate construction: 1-Solid, 2-Web, 3-Spoke.

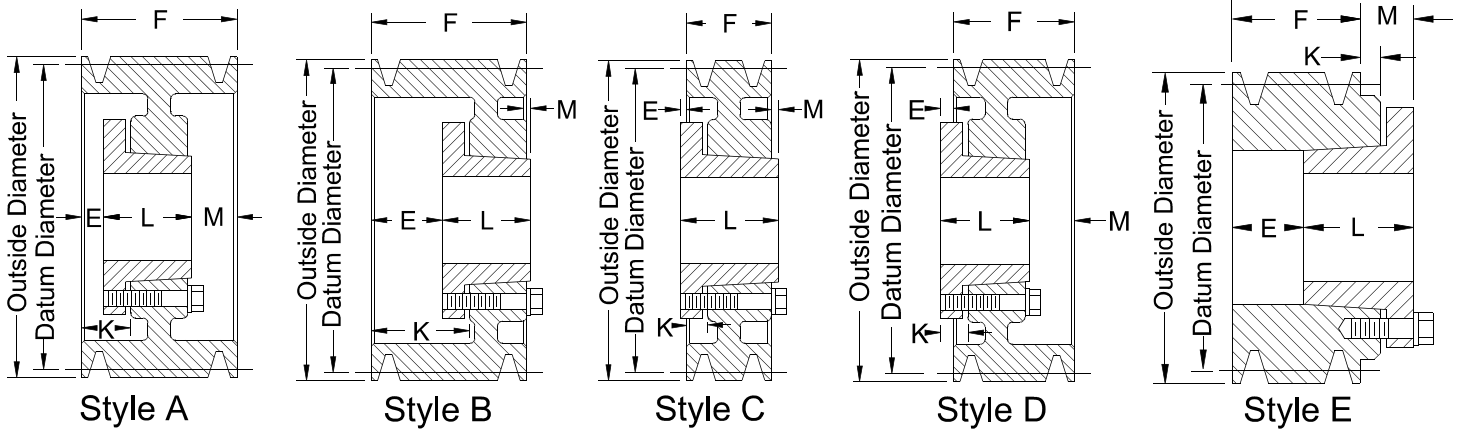
CAUTION: Do not use with rim speeds in excess of 6500 feet per minute.



OMAHA, NEBRASKA
(402) 453-9595
1-800-442-6009
FAX (402) 453-1740

QD SUPER-V SHEAVES

3V GROOVE



8 GROOVE

Stock No.	Description	Outside Dia.	Datum Dia.	Style [^]	Dimensions					Fits Bush.	Wt. Lbs.**
					E*	F	K	L	M*		
78800475	8 3V 475 SK	4.75	4.70	D-1	9/16	3-17/32	1/8	1-15/16	2-5/32	SK	6.00
78800500	8 3V 500 SK	5.00	4.95	D-1	9/16	3-17/32	1/8	1-15/16	2-5/32	SK	6.90
78800530	8 3V 530 SK	5.30	5.25	A-1	5/8	3-17/32	1-5/16	1-15/16	31/32	SK	7.80
78800560	8 3V 560 SK	5.60	5.55	A-1	5/8	3-17/32	1-5/16	1-15/16	31/32	SK	9.00
78800600	8 3V 600 SK	6.00	5.95	A-1	5/8	3-17/32	1-5/16	1-15/16	31/32	SK	10.00
78800650	8 3V 650 SK	6.50	6.45	A-2	5/8	3-17/32	1-5/16	1-15/16	31/32	SK	12.90
78800690	8 3V 690 SK	6.90	6.85	A-2	5/8	3-17/32	1-5/16	1-15/16	31/32	SK	14.00
78800800	8 3V 800 SF	8.00	7.95	A-1	7/16	3-17/32	1-1/8	2-1/16	1-1/32	SF	20.00
78801060	8 3V 1060 SF	10.60	10.55	A-2	7/16	3-17/32	1-1/8	2-1/16	1-1/32	SF	28.00
78801400	8 3V 1400 E	14.00	13.95	A-3	3/8	3-17/32	1-1/4	2-3/4	17/32	E	40.00
78801900	8 3V 1900 E	19.00	18.95	A-3	3/8	3-17/32	1-1/4	2-3/4	17/32	E	62.00
78802500	8 3V 2500 E	25.00	24.95	A-3	3/8	3-17/32	1-1/4	2-3/4	17/32	E	87.00
78803350	8 3V 3350 F	33.50	33.45	B-3	1/16	3-17/32	1-1/16	3-3/4	5/32	F	152.00

10 GROOVE

Stock No.	Description	Outside Dia.	Datum Dia.	Style [^]	Dimensions					Fits Bush.	Wt. Lbs.**
					E*	F	K	L	M*		
78900475	10 3V 475 SK	4.75	4.70	D-1	9/16	4-11/32	1/8	1-15/16	2-31/32	SK	7.00
78900500	10 3V 500 SK	5.00	4.95	D-1	9/16	4-11/32	1/8	1-15/16	2-31/32	SK	8.60
78900530	10 3V 530 SK	5.30	5.25	A-1	3/4	4-11/32	1-7/16	1-15/16	1-21/32	SK	9.00
78900560	10 3V 560 SK	5.60	5.55	A-1	3/4	4-11/32	1-7/16	1-15/16	1-21/32	SK	10.00
78900600	10 3V 600 SK	6.00	5.95	A-1	3/4	4-11/32	1-7/16	1-15/16	1-21/32	SK	11.00
78900650	10 3V 650 SK	6.50	6.45	A-2	3/4	4-11/32	1-7/16	1-15/16	1-21/32	SK	14.00
78900690	10 3V 690 SK	6.90	6.85	A-2	3/4	4-11/32	1-7/16	1-15/16	1-21/32	SK	16.00
78900800	10 3V 800 SF	8.00	7.95	A-1	13/16	4-11/32	1-1/2	2-1/16	1-15/32	SF	22.00
78901060	10 3V 1060 E	10.60	10.55	A-2	3/8	4-11/32	1-1/4	2-3/4	1-11/32	E	33.00
78901400	10 3V 1400 E	14.00	13.95	A-3	3/8	4-11/32	1-1/4	2-3/4	1-11/32	E	43.00
78901900	10 3V 1900 E	19.00	18.95	A-3	3/8	4-11/32	1-1/4	2-3/4	1-11/32	E	66.00
78902500	10 3V 2500 F	25.00	24.95	A-3	5/16	4-11/32	1-5/16	3-3/4	13/32	F	98.00
78903350	10 3V 3350 F	33.50	33.45	A-3	5/16	4-11/32	1-5/16	3-3/4	13/32	F	178.00

* E and M are reference dimensions only. ** Weights are for the sheave only, less the bushing.

[^]Numbers following the style letter indicate construction: 1-Solid, 2-Web, 3-Spoke.

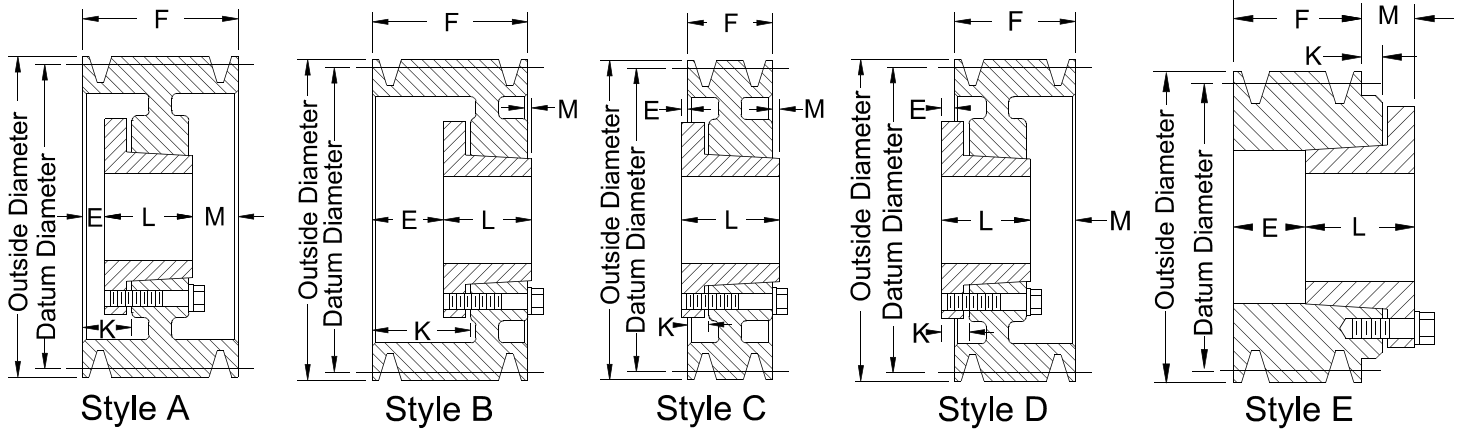
CAUTION: Do not use with rim speeds in excess of 6500 feet per minute.

QD SUPER-V SHEAVES



OMAHA, NEBRASKA
(402) 453-9595
1-800-442-6009
FAX (402) 453-1740

5V GROOVE



2 GROOVE

Stock No.	Description	Outside Dia.	Datum Dia.	Style [^]	Dimensions					Fits Bush.	Wt. Lbs.**
					E*	F	K	L	M*		
79200440	2 5V 440 SH	4.40	4.30	A-1	5/16	1-11/16	7/8	1-5/16	1/16	SH	4.00
79200465	2 5V 465 SDS	4.65	4.55	E-1	15/16	1-11/16	0	1-5/16	5/8	SDS	4.50
79200490	2 5V 490 SDS	4.90	4.80	A-1	1/16	1-11/16	11/16	1-5/16	1/4	SDS	5.00
79200520	2 5V 520 SDS	5.20	5.10	A-1	1/16	1-11/16	11/16	1-5/16	1/4	SDS	5.50
79200550	2 5V 550 SDS	5.50	5.40	A-1	1/16	1-11/16	11/16	1-5/16	1/4	SDS	6.00
79200590	2 5V 590 SDS	5.90	5.80	A-1	1/16	1-11/16	11/16	1-5/16	1/4	SDS	7.00
79200630	2 5V 630 SK	6.30	6.20	C-1	1/4	1-11/16	7/16	1-15/16	0	SK	8.00
79200670	2 5V 670 SK	6.70	6.60	C-1	1/4	1-11/16	7/16	1-15/16	0	SK	10.00
79200710	2 5V 710 SK	7.10	7.00	C-1	1/4	1-11/16	7/16	1-15/16	0	SK	11.00
79200750	2 5V 750 SK	7.50	7.40	C-1	1/4	1-11/16	7/16	1-15/16	0	SK	13.00
79200800	2 5V 800 SK	8.00	7.90	C-1	1/4	1-11/16	7/16	1-15/16	0	SK	14.00
79200850	2 5V 850 SK	8.50	8.40	C-1	1/4	1-11/16	7/16	1-15/16	0	SK	15.00
79200900	2 5V 900 SK	9.00	8.90	C-2	1/4	1-11/16	7/16	1-15/16	0	SK	16.00
79200925	2 5V 925 SK	9.25	9.15	C-2	1/4	1-11/16	7/16	1-15/16	0	SK	16.50
79200975	2 5V 975 SK	9.75	9.65	C-3	1/4	1-11/16	7/16	1-15/16	0	SK	17.00
79201030	2 5V 1030 SK	10.30	10.20	C-3	1/4	1-11/16	7/16	1-15/16	0	SK	18.00
79201090	2 5V 1090 SK	10.90	10.80	C-3	1/4	1-11/16	7/16	1-15/16	0	SK	19.00
79201130	2 5V 1130 SK	11.30	11.20	C-3	1/4	1-11/16	7/16	1-15/16	0	SK	19.50
79201180	2 5V 1180 SK	11.80	11.70	C-3	1/4	1-11/16	7/16	1-15/16	0	SK	20.00
79201250	2 5V 1250 SF	12.50	12.40	C-3	1/4	1-11/16	7/16	2-1/16	1/8	SF	25.00
79201320	2 5V 1320 SF	13.20	13.10	C-3	1/4	1-11/16	7/16	2-1/16	1/8	SF	27.00
79201400	2 5V 1400 SF	14.00	13.90	C-3	1/4	1-11/16	7/16	2-1/16	1/8	SF	28.00
79201500	2 5V 1500 SF	15.00	14.90	C-3	1/4	1-11/16	7/16	2-1/16	1/8	SF	30.00
79201600	2 5V 1600 SF	16.00	15.90	C-3	1/4	1-11/16	7/16	2-1/16	1/8	SF	34.00
79201870	2 5V 1870 SF	18.70	18.60	C-3	1/4	1-11/16	7/16	2-1/16	1/8	SF	49.00
79202120	2 5V 2120 SF	21.20	21.10	C-3	1/4	1-11/16	7/16	2-1/16	1/8	SF	50.00
79202360	2 5V 2360 E	23.60	23.50	C-3	5/8	1-11/16	1/4	2-3/4	5/16	E	72.00
79202800	2 5V 2800 E	28.00	27.90	C-3	5/8	1-11/16	1/4	2-3/4	5/16	E	80.00

* E and M are reference dimensions only. ** Weights are for the sheave only, less the bushing.

[^]Numbers following the style letter indicate construction: 1-Solid, 2-Web, 3-Spoke.

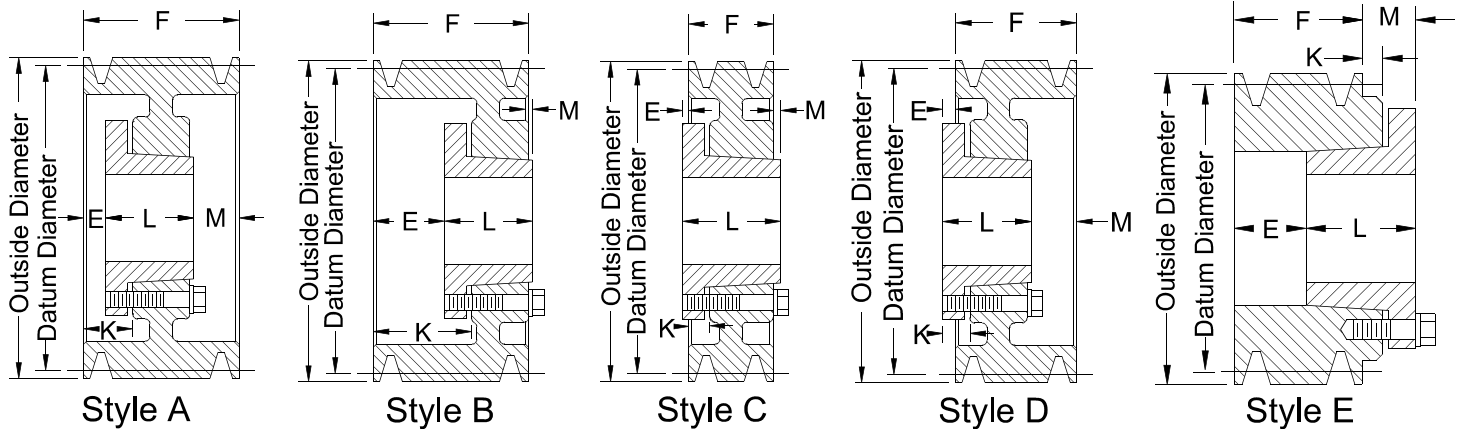
CAUTION: Do not use with rim speeds in excess of 6500 feet per minute.



OMAHA, NEBRASKA
(402) 453-9595
1-800-442-6009
FAX (402) 453-1740

QD SUPER-V SHEAVES

5V GROOVE



3 GROOVE

Stock No.	Description	Outside Dia.	Datum Dia.	Style [^]	Dimensions					Fits Bush.	Wt. Lbs.**
					E*	F	K	L	M*		
79300440	3 5V 440 SDS	4.40	4.30	E-1	1-5/8	2-3/8	0	1-5/16	5/8	SDS	5.50
79300465	3 5V 465 SDS	4.65	4.55	E-1	1-5/8	2-3/8	0	1-5/16	5/8	SDS	6.50
79300490	3 5V 490 SDS	4.90	4.80	A-1	7/16	2-3/8	1-1/16	1-5/16	9/16	SDS	7.00
79300520	3 5V 520 SDS	5.20	5.10	A-1	7/16	2-3/8	1-1/16	1-5/16	9/16	SDS	7.50
79300550	3 5V 550 SDS	5.50	5.40	A-1	7/16	2-3/8	1-1/16	1-5/16	9/16	SDS	8.00
79300590	3 5V 590 SDS	5.90	5.80	A-1	7/16	2-3/8	1-1/16	1-5/16	9/16	SDS	8.50
79300630	3 5V 630 SK	6.30	6.20	A-1	3/8	2-3/8	1-1/16	1-15/16	1/16	SK	11.00
79300670	3 5V 670 SK	6.70	6.60	A-1	3/8	2-3/8	1-1/16	1-15/16	1/16	SK	11.50
79300710	3 5V 710 SF	7.10	7.00	A-1	5/16	2-3/8	1	2-1/16	0	SF	13.00
79300750	3 5V 750 SF	7.50	7.40	A-1	5/16	2-3/8	1	2-1/16	0	SF	14.00
79300800	3 5V 800 SF	8.00	7.90	A-1	5/16	2-3/8	1	2-1/16	0	SF	15.00
79300850	3 5V 850 SF	8.50	8.40	A-2	5/16	2-3/8	1	2-1/16	0	SF	16.00
79300900	3 5V 900 SF	9.00	8.90	A-2	5/16	2-3/8	1	2-1/16	0	SF	17.00
79300925	3 5V 925 SF	9.25	9.15	A-2	5/16	2-3/8	1	2-1/16	0	SF	18.00
79300975	3 5V 975 SF	9.75	9.65	A-2	5/16	2-3/8	1	2-1/16	0	SF	19.00
79301030	3 5V 1030 SF	10.30	10.20	A-2	5/16	2-3/8	1	2-1/16	0	SF	22.00
79301090	3 5V 1090 SF	10.90	10.80	A-2	5/16	2-3/8	1	2-1/16	0	SF	25.00
79301130	3 5V 1130 SF	11.30	11.20	A-3	5/16	2-3/8	1	2-1/16	0	SF	26.00
79301180	3 5V 1180 SF	11.80	11.70	A-3	5/16	2-3/8	1	2-1/16	0	SF	28.00
79301250	3 5V 1250 E	12.50	12.40	C-3	1/8	2-3/8	3/4	2-3/4	1/8	E	34.00
79301320	3 5V 1320 E	13.20	13.10	C-3	1/8	2-3/8	3/4	2-3/4	1/8	E	38.00
79301400	3 5V 1400 E	14.00	13.90	C-3	1/8	2-3/8	3/4	2-3/4	1/8	E	43.00
79301500	3 5V 1500 E	15.00	14.90	C-3	1/8	2-3/8	3/4	2-3/4	1/8	E	44.00
79301600	3 5V 1600 E	16.00	15.90	C-3	1/8	2-3/8	3/4	2-3/4	1/8	E	46.00
79301870	3 5V 1870 E	18.70	18.60	C-3	1/8	2-3/8	3/4	2-3/4	1/8	E	60.00
79302120	3 5V 2120 E	21.20	21.10	C-3	1/8	2-3/8	3/4	2-3/4	1/8	E	68.00
79302360	3 5V 2360 E	23.60	23.50	C-3	1/8	2-3/8	3/4	2-3/4	1/8	E	80.00
79302800	3 5V 2800 E	28.00	27.90	C-3	1/8	2-3/8	3/4	2-3/4	1/8	E	92.00
79303150	3 5V 3150 F	31.50	31.40	C-3	7/16	2-3/8	9/16	3-3/4	13/16	F	136.00
79303750	3 5V 3750 F	37.50	37.40	C-3	7/16	2-3/8	9/16	3-3/4	13/16	F	156.00
79305000	3 5V 5000 F	50.00	49.90	C-3	7/16	2-3/8	9/16	3-3/4	13/16	F	210.00

* E and M are reference dimensions only. ** Weights are for the sheave only, less the bushing.

[^]Numbers following the style letter indicate construction: 1-Solid, 2-Web, 3-Spoke.

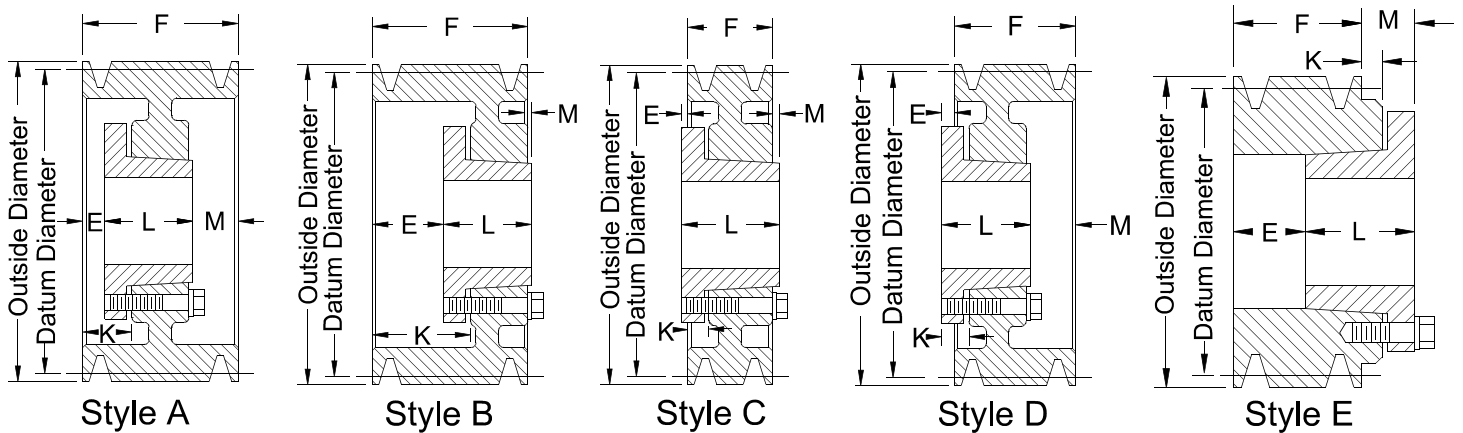
CAUTION: Do not use with rim speeds in excess of 6500 feet per minute.

QD SUPER-V SHEAVES



OMAHA, NEBRASKA
(402) 453-9595
1-800-442-6009
FAX (402) 453-1740

5V GROOVE



4 GROOVE

Stock No.	Description	Outside Dia.	Datum Dia.	Style [^]	Dimensions					Fits Bush.	Wt. Lbs.**
					E*	F	K	L	M*		
79400440	4 5V 440 SD	4.40	4.30	E-1	1-7/8	3-1/16	0	1-13/16	5/8	SD	5.00
79400465	4 5V 465 SD	4.65	4.55	E-1	1-7/8	3-1/16	0	1-13/16	5/8	SD	6.00
79400490	4 5V 490 SD	4.90	4.80	A-1	11/16	3-1/16	1-5/16	1-13/16	9/16	SD	7.00
79400520	4 5V 520 SD	5.20	5.10	A-1	11/16	3-1/16	1-5/16	1-13/16	9/16	SD	8.00
79400550	4 5V 550 SD	5.50	5.40	A-1	11/16	3-1/16	1-5/16	1-13/16	9/16	SD	9.00
79400590	4 5V 590 SD	5.90	5.80	A-1	11/16	3-1/16	1-5/16	1-13/16	9/16	SD	10.80
79400630	4 5V 630 SK	6.30	6.20	A-1	5/8	3-1/16	1-5/16	1-15/16	1/2	SK	12.00
79400670	4 5V 670 SK	6.70	6.60	A-1	5/8	3-1/16	1-5/16	1-15/16	1/2	SK	14.00
79400710	4 5V 710 SF	7.10	7.00	A-1	3/8	3-1/16	1-1/16	2-1/16	5/8	SF	15.00
79400750	4 5V 750 SF	7.50	7.40	A-1	3/8	3-1/16	1-1/16	2-1/16	5/8	SF	16.00
79400800	4 5V 800 E	8.00	7.90	B-1	9/16	3-1/16	1-7/16	2-3/4	1/8	E	19.00
79400850	4 5V 850 E	8.50	8.40	B-1	9/16	3-1/16	1-7/16	2-3/4	1/8	E	23.00
79400900	4 5V 900 E	9.00	8.90	B-1	9/16	3-1/16	1-7/16	2-3/4	1/8	E	25.00
79400925	4 5V 925 E	9.25	9.15	B-1	9/16	3-1/16	1-7/16	2-3/4	1/8	E	26.00
79400975	4 5V 975 E	9.75	9.65	B-1	9/16	3-1/16	1-7/16	2-3/4	1/8	E	28.00
79401030	4 5V 1030 E	10.30	10.20	B-1	9/16	3-1/16	1-7/16	2-3/4	1/8	E	30.00
79401090	4 5V 1090 E	10.90	10.80	B-1	9/16	3-1/16	1-7/16	2-3/4	1/8	E	39.00
79401130	4 5V 1130 E	11.30	11.20	B-1	9/16	3-1/16	1-7/16	2-3/4	1/8	E	40.00
79401180	4 5V 1180 E	11.80	11.70	B-1	9/16	3-1/16	1-7/16	2-3/4	1/8	E	41.00
79401250	4 5V 1250 E	12.50	12.40	B-3	9/16	3-1/16	1-7/16	2-3/4	1/8	E	43.00
79401320	4 5V 1320 E	13.20	13.10	B-3	9/16	3-1/16	1-7/16	2-3/4	1/8	E	45.00
79401400	4 5V 1400 E	14.00	13.90	B-3	9/16	3-1/16	1-7/16	2-3/4	1/8	E	46.00
79401500	4 5V 1500 E	15.00	14.90	B-3	9/16	3-1/16	1-7/16	2-3/4	1/8	E	47.00
79401600	4 5V 1600 E	16.00	15.90	B-3	9/16	3-1/16	1-7/16	2-3/4	1/8	E	49.00
79401870	4 5V 1870 E	18.70	18.60	A-3	3/8	3-1/16	1-1/4	2-3/4	1/16	E	71.00
79402120	4 5V 2120 E	21.20	21.10	A-3	3/8	3-1/16	1-1/4	2-3/4	1/16	E	72.00
79402360	4 5V 2360 F	23.60	23.50	C-3	1/8	3-1/16	7/8	3-3/4	7/16	F	111.00
79402800	4 5V 2800 F	28.00	27.90	C-3	1/8	3-1/16	7/8	3-3/4	7/16	F	118.00
79403150	4 5V 3150 F	31.50	31.40	C-3	1/8	3-1/16	7/8	3-3/4	7/16	F	146.00
79403750	4 5V 3750 F	37.50	37.40	C-3	1/8	3-1/16	7/8	3-3/4	7/16	F	178.00
79405000	4 5V 5000 J	50.00	49.90	C-3	1/2	3-1/16	11/16	4-5/8	15/16	J	266.00

* E and M are reference dimensions only. ** Weights are for the sheave only, less the bushing.

[^]Numbers following the style letter indicate construction: 1-Solid, 2-Web, 3-Spoke.

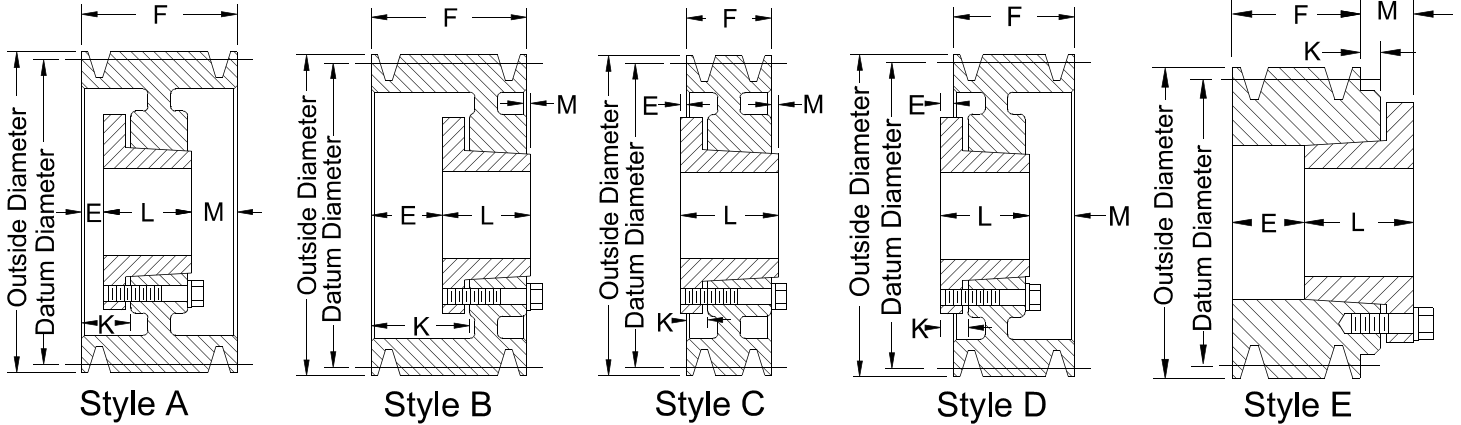
CAUTION: Do not use with rim speeds in excess of 6500 feet per minute.



OMAHA, NEBRASKA
(402) 453-9595
1-800-442-6009
FAX (402) 453-1740

QD SUPER-V SHEAVES

5V GROOVE



5 GROOVE

Stock No.	Description	Outside Dia.	Datum Dia.	Style [^]	Dimensions					Fits Bush.	Wt. Lbs.**
					E*	F	K	L	M*		
79500440	5 5V 440 SD	4.40	4.30	E-1	2-9/16	3-3/4	0	1-13/16	5/8	SD	6.00
79500465	5 5V 465 SD	4.65	4.55	E-1	2-9/16	3-3/4	1-5/16	1-13/16	5/8	SD	7.00
79500490	5 5V 490 SD	4.90	4.80	A-1	11/16	3-3/4	1-5/16	1-13/16	1-1/4	SD	8.00
79500520	5 5V 520 SD	5.20	5.10	A-1	11/16	3-3/4	1-5/16	1-13/16	1-1/4	SD	9.00
79500550	5 5V 550 SD	5.50	5.40	A-1	11/16	3-3/4	1-5/16	1-13/16	1-1/4	SD	10.00
79500590	5 5V 590 SK	5.90	5.80	A-1	5/8	3-3/4	1-5/16	1-15/16	1-3/16	SK	11.00
79500630	5 5V 630 SK	6.30	6.20	A-1	5/8	3-3/4	1-5/16	1-15/16	1-3/16	SK	12.00
79500670	5 5V 670 SF	6.70	6.60	A-1	5/8	3-3/4	1-5/16	2-1/16	1-3/16	SF	13.00
79500710	5 5V 710 SF	7.10	7.00	A-1	11/16	3-3/4	1-3/8	2-1/16	1	SF	14.00
79500750	5 5V 750 SF	7.50	7.40	A-1	11/16	3-3/4	1-3/8	2-1/16	1	SF	16.00
79500800	5 5V 800 E	8.00	7.90	A-1	7/8	3-3/4	1-3/4	2-3/4	1/4	E	19.00
79500850	5 5V 850 E	8.50	8.40	A-1	7/8	3-3/4	1-3/4	2-3/4	1/4	E	22.00
79500900	5 5V 900 E	9.00	8.90	A-1	7/8	3-3/4	1-3/4	2-3/4	1/4	E	26.00
79500925	5 5V 925 E	9.25	9.15	A-1	7/8	3-3/4	1-3/4	2-3/4	1/4	E	28.00
79500975	5 5V 975 E	9.75	9.65	A-1	7/8	3-3/4	1-3/4	2-3/4	1/4	E	30.00
79501030	5 5V 1030 E	10.30	10.20	A-1	7/8	3-3/4	1-3/4	2-3/4	1/4	E	33.00
79501090	5 5V 1090 E	10.90	10.80	A-1	7/8	3-3/4	1-3/4	2-3/4	1/4	E	41.00
79501130	5 5V 1130 E	11.30	11.20	A-1	7/8	3-3/4	1-3/4	2-3/4	1/4	E	42.00
79501180	5 5V 1180 E	11.80	11.70	A-1	7/8	3-3/4	1-3/4	2-3/4	1/4	E	44.00
79501250	5 5V 1250 E	12.50	12.40	A-3	7/8	3-3/4	1-3/4	2-3/4	1/4	E	45.00
79501320	5 5V 1320 E	13.20	13.10	A-3	7/8	3-3/4	1-3/4	2-3/4	1/4	E	46.00
79501400	5 5V 1400 E	14.00	13.90	A-3	7/8	3-3/4	1-3/4	2-3/4	1/4	E	47.00
79501500	5 5V 1500 E	15.00	14.90	A-3	7/8	3-3/4	1-3/4	2-3/4	1/4	E	53.00
79501600	5 5V 1600 E	16.00	15.90	A-3	7/8	3-3/4	1-3/4	2-3/4	1/4	E	56.00
79501870	5 5V 1870 F	18.70	18.60	B-3	5/16	3-3/4	1-5/16	3-3/4	3/16	F	96.00
79502120	5 5V 2120 F	21.20	21.10	B-3	5/16	3-3/4	1-5/16	3-3/4	3/16	F	98.00
79502360	5 5V 2360 F	23.60	23.50	B-3	5/16	3-3/4	1-5/16	3-3/4	3/16	F	120.00
79502800	5 5V 2800 F	28.00	27.90	B-3	5/16	3-3/4	1-5/16	3-3/4	3/16	F	135.00
79503150	5 5V 3150 J	31.50	31.40	C-3	3/16	3-3/4	1	4-5/8	9/16	J	188.00
79503750	5 5V 3750 J	37.50	37.40	C-3	3/16	3-3/4	1	4-5/8	9/16	J	224.00
79505000	5 5V 5000 J	50.00	49.90	C-3	3/16	3-3/4	1	4-5/8	9/16	J	308.00

* E and M are reference dimensions only. ** Weights are for the sheave only, less the bushing.

[^]Numbers following the style letter indicate construction: 1-Solid, 2-Web, 3-Spoke.

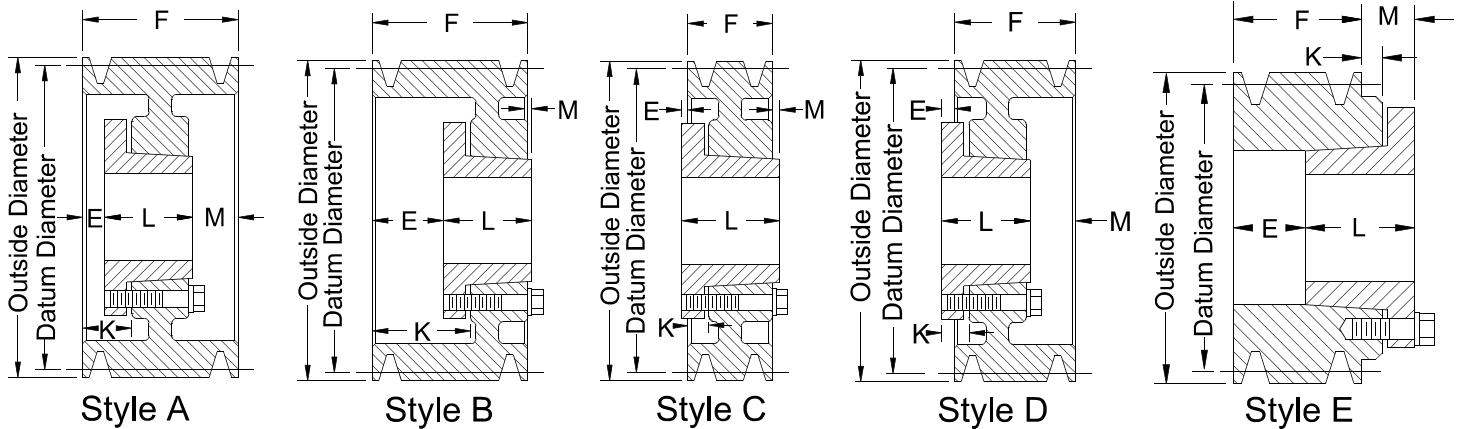
CAUTION: Do not use with rim speeds in excess of 6500 feet per minute.

QD SUPER-V SHEAVES



OMAHA, NEBRASKA
(402) 453-9595
1-800-442-6009
FAX (402) 453-1740

5V GROOVE



6 GROOVE

Stock No.	Description	Outside Dia.	Datum Dia.	Style [^]	Dimensions					Fits Bush.	Wt. Lbs.**
					E*	F	K	L	M*		
79600440	6 5V 440 SD	4.40	4.30	E-1	3-1/4	4-7/16	0	1-13/16	5/8	SD	7.00
79600465	6 5V 465 SD	4.65	4.55	E-1	3-1/4	4-7/16	0	1-13/16	5/8	SD	7.80
79600490	6 5V 490 SD	4.90	4.80	A-1	11/16	4-7/16	1-5/16	1-13/16	1-15/16	SD	9.00
79600520	6 5V 520 SD	5.20	5.10	A-1	11/16	4-7/16	1-5/16	1-13/16	1-15/16	SD	10.80
79600550	6 5V 550 SD	5.50	5.40	A-1	11/16	4-7/16	1-5/16	1-13/16	1-15/16	SD	11.30
79600590	6 5V 590 SK	5.90	5.80	A-1	5/8	4-7/16	1-5/16	1-15/16	1-7/8	SK	12.00
79600630	6 5V 630 SK	6.30	6.20	A-1	5/8	4-7/16	1-5/16	1-15/16	1-7/8	SK	13.00
79600670	6 5V 670 SF	6.70	6.60	A-1	15/16	4-7/16	1-5/8	2-1/16	1-7/16	SF	14.00
79600710	6 5V 710 SF	7.10	7.00	A-1	15/16	4-7/16	1-5/8	2-1/16	1-7/16	SF	15.00
79600750	6 5V 750 SF	7.50	7.40	A-1	15/16	4-7/16	1-5/8	2-1/16	1-7/16	SF	17.00
79600800	6 5V 800 E	8.00	7.90	A-1	1-1/8	4-7/16	2	2-3/4	11/16	E	20.00
79600850	6 5V 850 E	8.50	8.40	A-1	1-1/8	4-7/16	2	2-3/4	11/16	E	25.00
79600900	6 5V 900 E	9.00	8.90	A-1	1-1/8	4-7/16	2	2-3/4	11/16	E	28.00
79600925	6 5V 925 E	9.25	9.15	A-1	1-1/8	4-7/16	2	2-3/4	11/16	E	29.00
79600975	6 5V 975 E	9.75	9.65	A-1	1-1/8	4-7/16	2	2-3/4	11/16	E	31.00
79601030	6 5V 1030 E	10.30	10.20	A-1	1-1/8	4-7/16	2	2-3/4	11/16	E	33.00
79601090	6 5V 1090 E	10.90	10.80	A-1	1-1/8	4-7/16	2	2-3/4	11/16	E	38.00
79601130	6 5V 1130 E	11.30	11.20	A-1	1-1/8	4-7/16	2	2-3/4	11/16	E	41.00
79601180	6 5V 1180 E	11.80	11.70	A-1	1-1/8	4-7/16	2	2-3/4	11/16	E	43.00
79601250	6 5V 1250 F	12.50	12.40	B-3	1-1/16	4-7/16	2-1/16	3-3/4	1/4	F	45.00
79601320	6 5V 1320 F	13.20	13.10	B-3	1-1/16	4-7/16	2-1/16	3-3/4	1/4	F	48.00
79601400	6 5V 1400 F	14.00	13.90	B-3	1-1/16	4-7/16	2-1/16	3-3/4	1/4	F	59.00
79601500	6 5V 1500 F	15.00	14.90	B-3	1-1/16	4-7/16	2-1/16	3-3/4	1/4	F	64.00
79601600	6 5V 1600 F	16.00	15.90	B-3	1-1/16	4-7/16	2-1/16	3-3/4	1/4	F	68.00
79601870	6 5V 1870 F	18.70	18.60	A-3	5/16	4-7/16	1-5/16	3-3/4	1/2	F	83.80
79602120	6 5V 2120 F	21.20	21.10	A-3	5/16	4-7/16	1-5/16	3-3/4	1/2	F	110.00
79602360	6 5V 2360 J	23.60	23.50	B-3	1/8	4-7/16	1-5/16	4-5/8	3/16	J	148.00
79602800	6 5V 2800 J	28.00	27.90	B-3	1/8	4-7/16	1-5/16	4-5/8	3/16	J	169.00
79603150	6 5V 3150 J	31.50	31.40	B-3	1/8	4-7/16	1-5/16	4-5/8	3/16	J	206.00
79603750	6 5V 3750 J	37.50	37.40	B-3	1/8	4-7/16	1-5/16	4-5/8	3/16	J	241.00
79605000	6 5V 5000 M	50.00	49.90	C-3	1/8	4-7/16	1/2	6-3/4	1-3/8	M	388.00

* E and M are reference dimensions only. ** Weights are for the sheave only, less the bushing.

[^]Numbers following the style letter indicate construction: 1-Solid, 2-Web, 3-Spoke.

CAUTION: Do not use with rim speeds in excess of 6500 feet per minute.

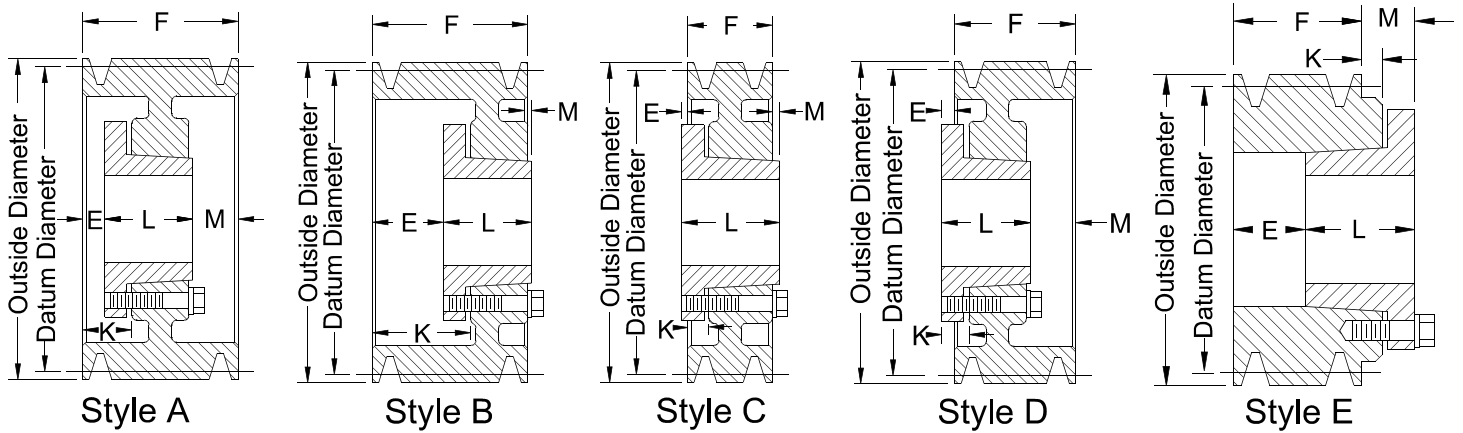
Sheaves & Bushings



OMAHA, NEBRASKA
 (402) 453-9595
 1-800-442-6009
 FAX (402) 453-1740

QD SUPER-V SHEAVES

5V GROOVE



8 GROOVE

Stock No.	Description	Outside Dia.	Datum Dia.	Style ^A	Dimensions					Fits Bush.	Wt. Lbs.**
					E*	F	K	L	M*		
79800710	8 5V 710 SF	7.10	7.00	A-1	1-7/16	5-13/16	2-1/8	2-1/16	2-5/16	SF	19.00
79800750	8 5V 750 SF	7.50	7.40	A-1	1-7/16	5-13/16	2-1/8	2-1/16	2-5/16	SF	20.00
79800800	8 5V 800 E	8.00	7.90	A-1	1-5/8	5-13/16	2-1/2	2-3/4	1-9/16	E	25.00
79800850	8 5V 850 E	8.50	8.40	A-1	1-5/8	5-13/16	2-1/2	2-3/4	1-9/16	E	29.00
79800900	8 5V 900 E	9.00	8.90	A-1	1-5/8	5-13/16	2-1/2	2-3/4	1-9/16	E	32.00
79800925	8 5V 925 F	9.25	9.15	A-1	1-9/16	5-13/16	2-9/16	3-3/4	5/8	F	39.00
79800975	8 5V 975 F	9.75	9.65	A-1	1-9/16	5-13/16	2-9/16	3-3/4	5/8	F	42.00
79801030	8 5V 1030 F	10.30	10.20	A-1	1-9/16	5-13/16	2-9/16	3-3/4	5/8	F	52.00
79801090	8 5V 1090 F	10.90	10.80	A-1	1-9/16	5-13/16	2-9/16	3-3/4	5/8	F	59.00
79801130	8 5V 1130 F	11.30	11.20	A-1	1-9/16	5-13/16	2-9/16	3-3/4	5/8	F	62.00
79801180	8 5V 1180 F	11.80	11.70	A-1	1-9/16	5-13/16	2-9/16	3-3/4	5/8	F	64.00
79801250	8 5V 1250 F	12.50	12.40	A-3	1-9/16	5-13/16	2-9/16	3-3/4	5/8	F	66.00
79801320	8 5V 1320 F	13.20	13.10	A-3	1-9/16	5-13/16	2-9/16	3-3/4	5/8	F	68.00
79801400	8 5V 1400 F	14.00	13.90	A-3	1-9/16	5-13/16	2-9/16	3-3/4	5/8	F	70.00
79801500	8 5V 1500 F	15.00	14.90	A-3	1-9/16	5-13/16	2-9/16	3-3/4	5/8	F	73.00
79801600	8 5V 1600 F	16.00	15.90	A-3	1-9/16	5-13/16	1-9/16	3-3/4	5/8	F	89.00
79801870	8 5V 1870 J	18.70	18.60	A-3	3/8	5-13/16	1-9/16	4-5/8	15/16	J	132.00
79802120	8 5V 2120 J	21.20	21.10	A-3	3/8	5-13/16	1-9/16	4-5/8	15/16	J	150.00
79802360	8 5V 2360 J	23.60	23.50	A-3	3/8	5-13/16	1-9/16	4-5/8	15/16	J	162.00
79802800	8 5V 2800 J	28.00	27.90	A-3	3/8	5-13/16	1-9/16	4-5/8	15/16	J	191.00
79803150	8 5V 3150 M	31.50	31.40	B-3	1/2	5-13/16	1-15/16	6-3/4	1-7/16	M	298.00
79803750	8 5V 3750 M	37.50	37.40	B-3	1/2	5-13/16	1-15/16	6-3/4	1-7/16	M	319.00
79805000	8 5V 5000 M	50.00	49.90	B-3	1/2	5-13/16	1-15/16	6-3/4	1-7/16	M	497.00

* E and M are reference dimensions only. ** Weights are for the sheave only, less the bushing.

^ANumbers following the style letter indicate construction: 1-Solid, 2-Web, 3-Spoke.

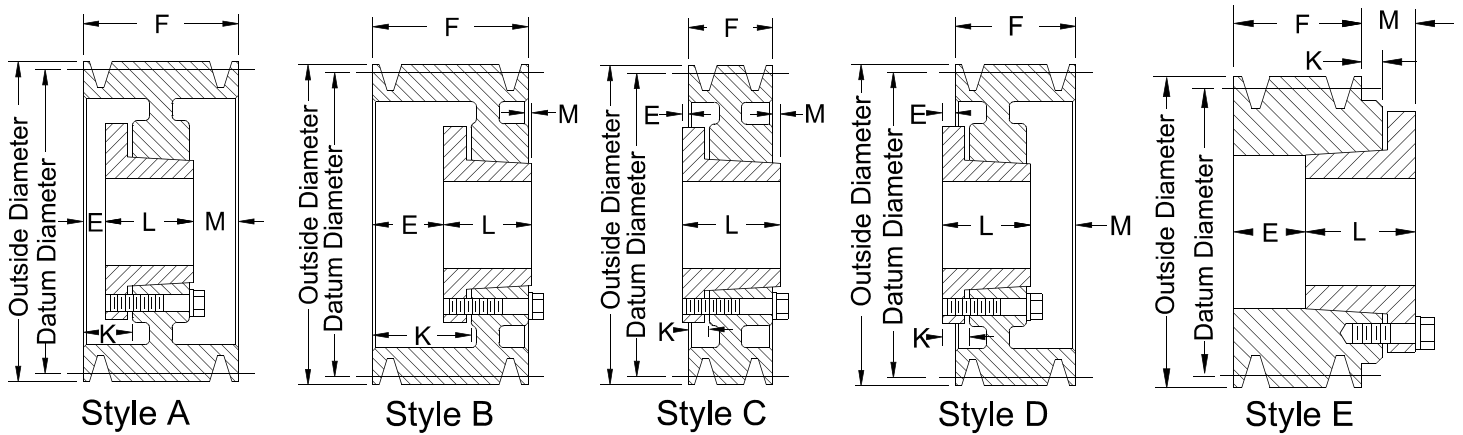
CAUTION: Do not use with rim speeds in excess of 6500 feet per minute.

QD SUPER-V SHEAVES



OMAHA, NEBRASKA
(402) 453-9595
1-800-442-6009
FAX (402) 453-1740

5V GROOVE



10 GROOVE

Stock No.	Description	Outside Dia.	Datum Dia.	Style [^]	Dimensions					Fits Bush.	Wt. Lbs.**
					E*	F	K	L	M*		
79900800	10 5V 800 E	8.00	7.90	A-1	2-3/8	7-3/16	3-1/4	2-3/4	2-3/16	E	27.00
79900850	10 5V 850 E	8.50	8.40	A-1	2-3/8	7-3/16	3-1/4	2-3/4	2-3/16	E	32.00
79900900	10 5V 900 F	9.00	8.90	A-1	2-5/16	7-3/16	3-5/16	3-3/4	1-1/4	F	41.00
79900925	10 5V 925 F	9.25	9.15	A-1	2-5/16	7-3/16	3-5/16	3-3/4	1-1/4	F	47.00
79900975	10 5V 975 F	9.75	9.65	A-1	2-5/16	7-3/16	3-5/16	3-3/4	1-1/4	F	58.00
79901030	10 5V 1030 F	10.30	10.20	A-1	2-5/16	7-3/16	3-5/16	3-3/4	1-1/4	F	66.00
79901090	10 5V 1090 F	10.90	10.80	A-1	2-5/16	7-3/16	3-5/16	3-3/4	1-1/4	F	75.00
79901130	10 5V 1130 F	11.30	11.20	A-1	2-5/16	7-3/16	3-5/16	3-3/4	1-1/4	F	79.00
79901180	10 5V 1180 F	11.80	11.70	A-1	2-5/16	7-3/16	3-5/16	3-3/4	1-1/4	F	80.00
79901250	10 5V 1250 J	12.50	12.40	A-1	2-3/8	7-3/16	3-9/16	4-5/8	5/16	J	82.00
79901320	10 5V 1320 J	13.20	13.10	A-1	2-3/8	7-3/16	3-9/16	4-5/8	5/16	J	85.00
79901400	10 5V 1400 J	14.00	13.90	A-2	2-3/8	7-3/16	3-9/16	4-5/8	5/16	J	90.00
79901500	10 5V 1500 J	15.00	14.90	A-2	2-3/8	7-3/16	3-9/16	4-5/8	5/16	J	92.00
79901600	10 5V 1600 J	16.00	15.90	A-1	2-3/8	7-3/16	3-9/16	4-5/8	5/16	J	102.00
79901870	10 5V 1870 J	18.70	18.60	A-3	3/8	7-3/16	1-9/16	4-5/8	2-3/16	J	150.00
79902120	10 5V 2120 J	21.20	21.10	A-3	3/8	7-3/16	1-9/16	4-5/8	2-3/16	J	164.00
79902360	10 5V 2360 M	23.60	23.50	A-3	1/2	7-3/16	1-15/16	6-3/4	1/16	M	258.00
79902800	10 5V 2800 M	28.00	27.90	B-3	1/2	7-3/16	1-15/16	6-3/4	1/16	M	278.00
79903150	10 5V 3150 M	31.50	31.40	B-3	1/2	7-3/16	1-15/16	6-3/4	1/16	M	318.00
79903750	10 5V 3750 M	37.50	37.40	B-3	1/2	7-3/16	1-15/16	6-3/4	1/16	M	340.00
79905000	10 5V 5000 M	50.00	49.90	B-3	1/2	7-3/16	1-15/16	6-3/4	1/16	M	538.00

* E and M are reference dimensions only. ** Weights are for the sheave only, less the bushing.

[^]Numbers following the style letter indicate construction: 1-Solid, 2-Web, 3-Spoke.

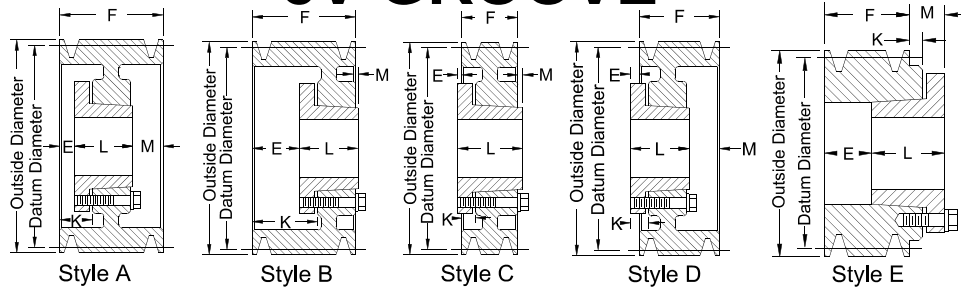
CAUTION: Do not use with rim speeds in excess of 6500 feet per minute.



OMAHA, NEBRASKA
(402) 453-9595
1-800-442-6009
FAX (402) 453-1740

QD SUPER-V SHEAVES

8V GROOVE



4 GROOVE

Stock No.	Description	Outside Dia.	Datum Dia.	Style [^]	Dimensions					Fits Bush.	Wt. Lbs.**
					E*	F	K	L	M*		
79941250	4 8V 1250 F	12.50	12.30	A-1	3/16	4-7/8	1-3/16	3-3/4	1-1/16	F	63.00
79941320	4 8V 1320 F	13.20	13.00	A-2	3/16	4-7/8	1-3/16	3-3/4	1-1/16	F	66.00
79941400	4 8V 1400 F	14.00	13.80	A-2	3/16	4-7/8	1-3/16	3-3/4	1-1/16	F	70.00
79941500	4 8V 1500 F	15.00	14.80	A-2	3/16	4-7/8	1-3/16	3-3/4	1-1/16	F	74.00
79941600	4 8V 1600 F	16.00	15.80	A-2	3/16	4-7/8	1-3/16	3-3/4	1-1/16	F	82.00
79941700	4 8V 1700 F	17.00	16.80	A-3	3/16	4-7/8	1-3/16	3-3/4	1-1/16	F	94.00
79941800	4 8V 1800 F	18.00	17.80	A-3	3/16	4-7/8	1-3/16	3-3/4	1-1/16	F	99.00
79941900	4 8V 1900 F	19.00	18.80	A-3	3/16	4-7/8	1-3/16	3-3/4	1-1/16	F	105.00
79942000	4 8V 2000 J	20.00	19.80	A-3	1/4	4-7/8	1-7/16	4-5/8	1-1/8	J	141.00
79942120	4 8V 2120 J	21.20	21.00	A-3	1/4	4-7/8	1-7/16	4-5/8	1-1/8	J	150.00
79942240	4 8V 2240 J	22.40	22.20	A-3	1/4	4-7/8	1-7/16	4-5/8	1-1/8	J	177.00
79942480	4 8V 2480 M	24.80	24.60	C-3	5/8	4-7/8	13/16	6-3/4	1-1/4	M	223.00
79943000	4 8V 3000 M	30.00	29.80	C-3	5/8	4-7/8	13/16	6-3/4	1-1/4	M	285.00
79943550	4 8V 3550 M	35.50	35.30	C-3	5/8	4-7/8	13/16	6-3/4	1-1/4	M	305.00
79944000	4 8V 4000 M	40.00	39.80	C-3	5/8	4-7/8	13/16	6-3/4	1-1/4	M	355.00
79944450	4 8V 4450 M	44.50	44.30	C-3	5/8	4-7/8	13/16	6-3/4	1-1/4	M	369.00
79945300	4 8V 5300 M	53.00	52.80	C-3	3/8	4-7/8	13/16	6-3/4	1-1/4	M	478.00

5 GROOVE

Stock No.	Description	Outside Dia.	Datum Dia.	Style [^]	Dimensions					Fits Bush.	Wt. Lbs.**
					E*	F	K	L	M*		
79951250	5 8V 1250 F	12.50	12.30	A-1	1-5/16	6	2-5/16	3-3/4	1-1/16	F	68.00
79951320	5 8V 1320 F	13.20	13.00	A-2	1-5/16	6	2-5/16	3-3/4	1-1/16	F	75.00
79951400	5 8V 1400 F	14.00	13.80	A-2	1-5/16	6	2-5/16	3-3/4	1-1/16	F	78.00
79951500	5 8V 1500 F	15.00	14.80	A-2	1-5/16	6	2-5/16	3-3/4	1-1/16	F	94.00
79951600	5 8V 1600 F	16.00	15.80	A-2	1-5/16	6	2-5/16	3-3/4	1-1/16	F	101.00
79951700	5 8V 1700 J	17.00	16.80	A-3	13/16	6	2	4-5/8	11/16	J	111.00
79951800	5 8V 1800 J	18.00	17.80	A-3	13/16	6	2	4-5/8	11/16	J	130.00
79951900	5 8V 1900 J	19.00	18.80	A-3	13/16	6	2	4-5/8	11/16	J	135.00
79952000	5 8V 2000 J	20.00	19.80	A-3	13/16	6	2	4-5/8	11/16	J	152.00
79952120	5 8V 2120 J	21.20	21.00	A-3	13/16	6	2	4-5/8	11/16	J	153.00
79952240	5 8V 2240 M	22.40	22.20	B-3	1/2	6	1-15/16	6-3/4	1-1/4	M	223.00
79952480	5 8V 2480 M	24.80	24.60	B-3	1/2	6	1-15/16	6-3/4	1-1/4	M	234.00
79953000	5 8V 3000 M	30.00	29.80	B-3	1/2	6	1-15/16	6-3/4	1-1/4	M	294.00
79953550	5 8V 3550 M	35.50	35.30	B-3	1/2	6	1-15/16	6-3/4	1-1/4	M	325.00
79954000	5 8V 4000 M	40.00	39.80	B-3	1/2	6	1-15/16	6-3/4	1-1/4	M	430.00
79954450	5 8V 4450 N	44.50	44.30	C-3	13/16	6	15/16	8-1/8	1-5/16	N	485.00
79955300	5 8V 5300 N	53.00	52.80	C-3	13/16	6	15/16	8-1/8	1-5/16	N	672.00

* E and M are reference dimensions only. ** Weights are for the sheave only, less the bushing.

[^]Numbers following the style letter indicate construction: 1-Solid, 2-Web, 3-Spoke.

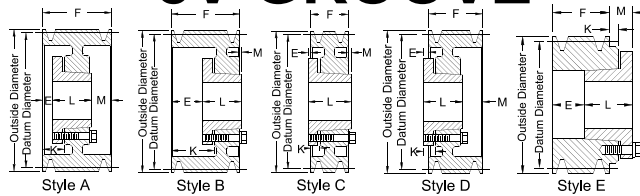
CAUTION: Do not use with rim speeds in excess of 6500 feet per minute.

QD SUPER-V SHEAVES



OMAHA, NEBRASKA
(402) 453-9595
1-800-442-6009
FAX (402) 453-1740

8V GROOVE



6 GROOVE

Stock No.	Description	Outside Dia.	Datum Dia.	Style ^A	Dimensions					Fits Bush.	Wt. Lbs.**
					E*	F	K	L	M*		
79961250	6 8V 1250 F	12.50	12.30	A-1	1-5/16	7-1/8	2-5/16	3-3/4	2-3/16	F	86.00
79961320	6 8V 1320 F	13.20	13.00	A-1	1-5/16	7-1/8	2-5/16	3-3/4	2-3/16	F	94.00
79961400	6 8V 1400 F	14.00	13.80	A-1	1-5/16	7-1/8	2-5/16	3-3/4	2-3/16	F	108.00
79961500	6 8V 1500 J	15.00	14.80	A-1	1-3/8	7-1/8	2-9/16	4-5/8	1-1/4	J	138.00
79961600	6 8V 1600 J	16.00	15.80	A-1	1-3/8	7-1/8	2-9/16	4-5/8	1-1/4	J	142.00
79961700	6 8V 1700 J	17.00	16.80	A-2	1-3/8	7-1/8	2-9/16	4-5/8	1-1/4	J	144.00
79961800	6 8V 1800 J	18.00	17.80	A-2	1-3/8	7-1/8	2-9/16	4-5/8	1-1/4	J	160.00
79961900	6 8V 1900 J	19.00	18.80	A-2	1-3/8	7-1/8	2-9/16	4-5/8	1-1/4	J	172.00
79962000	6 8V 2000 M	20.00	19.80	B-2	1-1/2	7-1/8	2-15/16	6-3/4	1-1/8	M	204.00
79962120	6 8V 2120 M	21.20	21.00	B-2	1-1/2	7-1/8	2-15/16	6-3/4	1-1/8	M	226.00
79962240	6 8V 2240 M	22.40	22.20	B-3	1-1/2	7-1/8	2-15/16	6-3/4	1-1/8	M	235.00
79962480	6 8V 2480 M	24.80	24.60	B-3	1/2	7-1/8	1-15/16	6-3/4	1/8	M	246.00
79963000	6 8V 3000 M	30.00	29.80	B-3	1/2	7-1/8	1-15/16	6-3/4	1/8	M	306.00
79963550	6 8V 3550 N	35.50	35.30	C-3	5/8	7-1/8	1-1/8	8-1/8	3/8	N	466.00
79964000	6 8V 4000 N	40.00	39.80	C-3	5/8	7-1/8	1-1/8	8-1/8	3/8	N	548.00
79964450	6 8V 4450 N	44.50	44.30	C-3	5/8	7-1/8	1-1/8	8-1/8	3/8	N	590.00
79965300	6 8V 5300 N	53.00	52.80	C-3	5/8	7-1/8	1-1/8	8-1/8	3/8	N	658.00
79966300	6 8V 6300 P	63.00	62.80	C-3	0	7-1/8	2	9-3/8	1-7/8	P	860.00
79967100	6 8V 7100 P	71.00	70.80	B-3	5/8	7-1/8	2-5/8	9-3/8	2-1/2	P	1272.00

8 GROOVE

Stock No.	Description	Outside Dia.	Datum Dia.	Style ^A	Dimensions					Fits Bush.	Wt. Lbs.**
					E*	F	K	L	M*		
79981250	8 8V 1250 J	12.50	12.30	A-1	2-3/8	9-3/8	3-9/16	4-5/8	2-1/2	J	108.00
79981320	8 8V 1320 J	13.20	13.00	A-1	2-3/8	9-3/8	3-9/16	4-5/8	2-1/2	J	118.00
79981400	8 8V 1400 J	14.00	13.80	A-1	2-3/8	9-3/8	3-9/16	4-5/8	2-1/2	J	131.00
79981500	8 8V 1500 J	15.00	14.80	A-1	2-3/8	9-3/8	3-9/16	4-5/8	2-1/2	J	151.00
79981600	8 8V 1600 J	16.00	15.80	A-1	2-3/8	9-3/8	3-9/16	4-5/8	2-1/2	J	155.00
79981700	8 8V 1700 M	17.00	16.80	A-2	2-1/2	9-3/8	3-15/16	6-3/4	1/8	M	188.00
79981800	8 8V 1800 M	18.00	17.80	A-2	2-1/2	9-3/8	3-15/16	6-3/4	1/8	M	202.00
79981900	8 8V 1900 M	19.00	18.80	A-2	2-1/2	9-3/8	3-15/16	6-3/4	1/8	M	221.00
79982000	8 8V 2000 M	20.00	19.80	A-2	2-1/2	9-3/8	3-15/16	6-3/4	1/8	M	236.00
79982120	8 8V 2120 M	21.20	21.00	A-2	2-1/2	9-3/8	3-15/16	6-3/4	1/8	M	267.00
79982240	8 8V 2240 M	22.40	22.20	A-3	2-1/2	9-3/8	3-15/16	6-3/4	1/8	M	284.00
79982480	8 8V 2480 N	24.80	24.60	A-2	1/2	9-3/8	2-1/4	8-1/8	3/4	N	418.00
79983000	8 8V 3000 N	30.00	29.80	A-3	1/2	9-3/8	2-1/4	8-1/8	3/4	N	447.00
79983550	8 8V 3550 N	35.50	35.30	A-3	1/2	9-3/8	2-1/4	8-1/8	3/4	N	553.00
79984000	8 8V 4000 N	40.00	39.80	A-3	1/2	9-3/8	2-1/4	8-1/8	3/4	N	648.00
79984450	8 8V 4450 P	44.50	44.30	B-3	5/8	9-3/8	2-5/8	9-3/8	5/8	P	679.00
79985300	8 8V 5300 P	53.00	52.80	B-3	5/8	9-3/8	2-5/8	9-3/8	5/8	P	946.00
79986300	8 8V 6300 P	63.00	62.80	B-3	5/8	9-3/8	2-5/8	9-3/8	5/8	P	1372.00
79987100	8 8V 7100 W	71.00	70.80	C-3	7/8	9-3/8	1-3/8	11-3/8	3/4	W	1680.00

* E and M are reference dimensions only. ** Weights are for the sheave only, less the bushing.

^ANumbers following the style letter indicate construction: 1-Solid, 2-Web, 3-Spoke.

CAUTION: Do not use with rim speeds in excess of 6500 feet per minute.

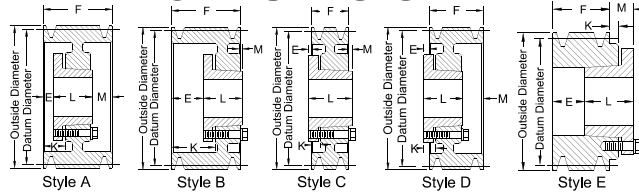
Sheaves & Bushings



OMAHA, NEBRASKA
(402) 453-9595
1-800-442-6009
FAX (402) 453-1740

QD SUPER-V SHEAVES

8V GROOVE



10 GROOVE

Stock No.	Description	Outside Dia.	Datum Dia.	Style [^]	Dimensions					Fits Bush.	Wt. Lbs.**
					E*	F	K	L	M*		
79911250	10 8V 1250 J	12.50	12.30	A-1	2-3/8	11-5/8	3-9/16	4-5/8	4-3/4	J	122.00
79911320	10 8V 1320 J	13.20	13.00	A-1	2-3/8	11-5/8	3-9/16	4-5/8	4-3/4	J	140.00
79911400	10 8V 1400 J	14.00	13.80	A-1	2-3/8	11-5/8	3-9/16	4-5/8	4-3/4	J	152.00
79911500	10 8V 1500 M	15.00	14.80	A-1	2-1/2	11-5/8	3-15/16	6-3/4	2-3/8	M	212.00
79911600	10 8V 1600 M	16.00	15.80	A-1	2-1/2	11-5/8	3-15/16	6-3/4	2-3/8	M	219.00
79911700	10 8V 1700 M	17.00	16.80	A-2	2-1/2	11-5/8	3-15/16	6-3/4	2-3/8	M	228.00
79911800	10 8V 1800 M	18.00	17.80	A-2	2-1/2	11-5/8	3-15/16	6-3/4	2-3/8	M	236.00
79911900	10 8V 1900 M	19.00	18.80	A-2	2-1/2	11-5/8	3-15/16	6-3/4	2-3/8	M	260.00
79912000	10 8V 2000 M	20.00	19.80	A-2	2-1/2	11-5/8	3-15/16	6-3/4	2-3/8	M	280.00
79912120	10 8V 2120 M	21.20	21.00	A-2	2-1/2	11-5/8	3-15/16	6-3/4	2-3/8	M	298.00
79912240	10 8V 2240 N	22.40	22.20	A-2	1/2	11-5/8	2-1/4	8-1/8	3	N	366.00
79912480	10 8V 2480 N	24.80	24.60	A-2	1/2	11-5/8	2-1/4	8-1/8	3	N	454.00
79913000	10 8V 3000 N	30.00	29.80	A-3	1/2	11-5/8	2-1/4	8-1/8	3	N	468.00
79913550	10 8V 3550 P	35.50	35.30	A-3	5/8	11-5/8	2-5/8	9-3/8	1-5/8	P	784.00
79914000	10 8V 4000 P	40.00	39.80	A-3	5/8	11-5/8	2-5/8	9-3/8	1-5/8	P	826.00
79914450	10 8V 4450 P	44.50	44.30	A-3	5/8	11-5/8	2-5/8	9-3/8	1-5/8	P	996.00
79915300	10 8V 5300 P	53.00	52.80	A-3	5/8	11-5/8	2-5/8	9-3/8	1/4	P	1010.00
79916300	10 8V 6300 W	63.00	62.80	A-3	5/8	11-5/8	2-7/8	11-3/8	0	W	1443.00
79917100	10 8V 7100 W	71.00	70.80	A-3	5/8	11-5/8	2-7/8	11-3/8	0	W	1842.00

12 GROOVE

Stock No.	Description	Outside Dia.	Datum Dia.	Style [^]	Dimensions					Fits Bush.	Wt. Lbs.**
					E*	F	K	L	M*		
79921250	12 8V 1250 M	12.50	12.30	A-1	2-1/2	14	3-15/16	6-3/4	4-5/8	M	161.00
79921320	12 8V 1320 M	13.20	13.00	A-1	2-1/2	14	3-15/16	6-3/4	4-5/8	M	185.00
79921400	12 8V 1400 M	14.00	13.80	A-1	2-1/2	14	3-15/16	6-3/4	4-5/8	M	211.00
79921500	12 8V 1500 M	15.00	14.80	A-1	2-1/2	14	3-15/16	6-3/4	4-5/8	M	234.00
79921600	12 8V 1600 M	16.00	15.80	A-1	2-1/2	14	3-15/16	6-3/4	4-5/8	M	285.00
79921700	12 8V 1700 M	17.00	16.80	A-1	2-1/2	14	3-15/16	6-3/4	4-5/8	M	324.00
79921800	12 8V 1800 M	18.00	17.80	A-2	2-1/2	14	3-15/16	6-3/4	4-5/8	M	330.00
79921900	12 8V 1900 N	19.00	18.80	A-2	1/2	14	2-1/4	8-1/8	5-1/4	N	338.00
79922000	12 8V 2000 N	20.00	19.80	A-2	1/2	14	2-1/4	8-1/8	5-1/4	N	365.00
79922120	12 8V 2120 N	21.20	21.00	A-2	1/2	14	2-1/4	8-1/8	5-1/4	N	382.00
79922240	12 8V 2240 N	22.40	22.20	A-2	1/2	14	2-1/4	8-1/8	5-1/4	N	399.00
79922480	12 8V 2480 N	24.80	24.60	A-2	1/2	14	2-1/4	8-1/8	5-1/4	N	454.00
79923000	12 8V 3000 P	30.00	29.80	A-3	5/8	14	2-5/8	9-3/8	3-7/8	P	605.00
79923550	12 8V 3550 P	35.50	35.30	A-3	5/8	14	2-5/8	9-3/8	3-7/8	P	706.00
79924000	12 8V 4000 P	40.00	39.80	A-3	5/8	14	2-5/8	9-3/8	3-7/8	P	766.00
79924450	12 8V 4450 P	44.50	44.30	A-3	5/8	14	2-5/8	9-3/8	3-7/8	P	910.00
79925300	12 8V 5300 W	53.00	52.80	A-3	5/8	14	2-7/8	11-3/8	2-1/4	W	1333.00
79926300	12 8V 6300 W	63.00	62.80	A-3	5/8	14	2-7/8	11-3/8	2-1/4	W	1777.00
79927100	12 8V 7100 W	71.00	70.80	A-3	5/8	14	2-7/8	11-3/8	2-1/4	W	2002.00

* E and M are reference dimensions only. ** Weights are for the sheave only, less the bushing.

[^]Numbers following the style letter indicate construction: 1-Solid, 2-Web, 3-Spoke.

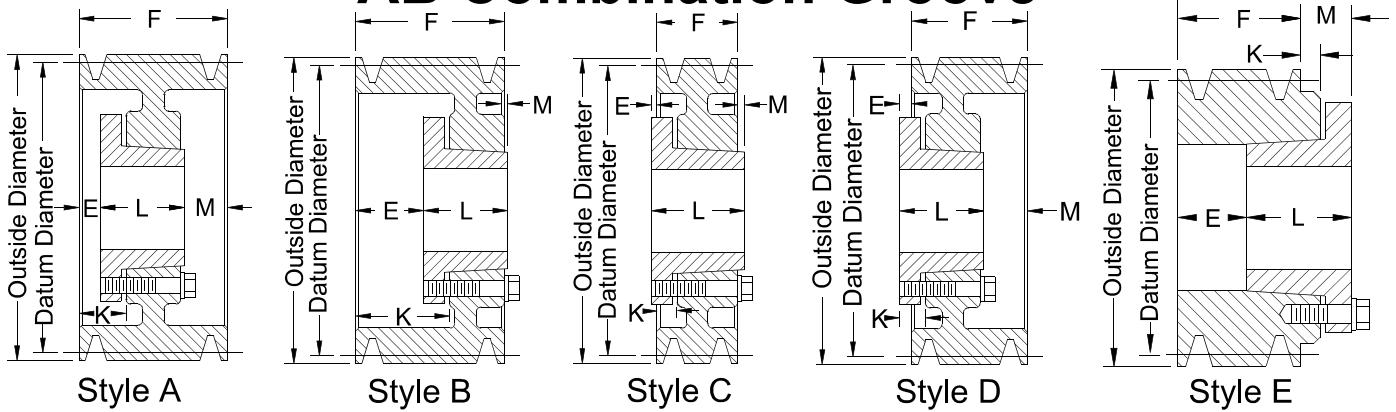
CAUTION: Do not use with rim speeds in excess of 6500 feet per minute.

QD CONVENTIONAL SHEAVES



OMAHA, NEBRASKA
(402) 453-9595
1-800-442-6009
FAX (402) 453-1740

AB Combination Groove



1 GROOVE

Stock No.	Description	Outside Dia.	Datum Dia.		Style [^]	Dimensions					Fits Bush.	Wt. Lbs.**
			A-Belt	B-Belt		E*	F	K	L	M*		
77130034	1B34SH	3.75	3.00	3.40	D-1	9/16	7/8	0	1-5/16	1/8	SH	1.20
77130036	1B36SH	3.95	3.20	3.60	D-1	9/16	7/8	0	1-5/16	1/8	SH	1.30
77130038	1B38SH	4.15	3.40	3.80	D-1	9/16	7/8	0	1-5/16	1/8	SH	1.60
77130040	1B40SH	4.35	3.60	4.00	C-1	1/4	7/8	5/16	1-5/16	3/16	SH	1.80
77130042	1B42SH	4.55	3.80	4.20	C-1	1/4	7/8	5/16	1-5/16	3/16	SH	2.00
77130044	1B44SH	4.75	4.00	4.40	C-1	1/4	7/8	5/16	1-5/16	3/16	SH	2.20
77130046	1B46SDS	4.95	4.20	4.60	C-1	5/16	7/8	5/16	1-5/16	3/16	SDS	2.40
77130048	1B48SDS	5.15	4.40	4.80	C-1	5/16	7/8	5/16	1-5/16	3/16	SDS	2.60
77130050	1B50SDS	5.35	4.60	5.00	C-1	5/16	7/8	5/16	1-5/16	3/16	SDS	3.00
77130052	1B52SDS	5.55	4.80	5.20	C-1	5/16	7/8	5/16	1-5/16	3/16	SDS	3.40
77130054	1B54SDS	5.75	5.00	5.40	C-1	5/16	7/8	5/16	1-5/16	3/16	SDS	3.80
77130056	1B56SDS	5.95	5.20	5.60	C-1	5/16	7/8	5/16	1-5/16	3/16	SDS	4.00
77130058	1B58SDS	6.15	5.40	5.80	C-1	5/16	7/8	5/16	1-5/16	3/16	SDS	4.40
77130060	1B60SDS	6.35	5.60	6.00	C-1	5/16	7/8	5/16	1-5/16	3/16	SDS	4.60
77130062	1B62SDS	6.55	5.80	6.20	C-2	5/16	7/8	5/16	1-5/16	3/16	SDS	4.80
77130064	1B64SDS	6.75	6.00	6.40	C-2	5/16	7/8	5/16	1-5/16	3/16	SDS	5.00
77130066	1B66SDS	6.95	6.20	6.60	C-2	5/16	1	5/16	1-5/16	3/16	SDS	5.40
77130068	1B68SDS	7.15	6.40	6.80	C-2	5/16	1	5/16	1-5/16	3/16	SDS	5.60
77130070	1B70SDS	7.35	6.60	7.00	C-2	1/2	1	1/8	1-5/16	1/8	SDS	6.00
77130074	1B74SDS	7.75	7.00	7.40	C-2	1/2	1	1/8	1-5/16	1/8	SDS	6.30
77130080	1B80SDS	8.35	7.60	8.00	C-3	1/2	1	1/8	1-5/16	1/8	SDS	6.60
77130086	1B86SDS	8.95	8.20	8.60	C-3	1/2	1	1/8	1-5/16	1/8	SDS	7.00
77130094	1B94SDS	9.75	9.00	9.40	C-3	1/2	1	1/8	1-5/16	1/8	SDS	8.00
77130110	1B110SDS	11.35	10.60	11.00	C-3	1/2	1	1/8	1-5/16	1/8	SDS	10.00
77130124	1B124SDS	12.75	12.00	12.40	C-3	1/2	1	1/8	1-5/16	1/8	SDS	12.00
77130136	1B136SDS	13.95	13.20	13.60	C-3	1/2	1	1/8	1-5/16	1/8	SDS	14.00
77130154	1B154SK	15.75	15.00	15.40	C-3	9/16	1	1/8	1-15/16	3/8	SK	17.00
77130160	1B160SK	16.35	15.60	16.00	C-3	9/16	1	1/8	1-15/16	3/8	SK	18.00
77130184	1B184SK	18.75	18.00	18.40	C-3	9/16	1	1/8	1-15/16	3/8	SK	20.00
77130200	1B200SK	20.35	19.60	20.00	C-3	9/16	1	1/8	1-15/16	3/8	SK	23.00

* E and M are reference dimensions only. **Weights are for the sheave only, less the bushing.

[^] Numbers following the style letter indicate construction: 1-Solid, 2-Web, 3-Spoke.

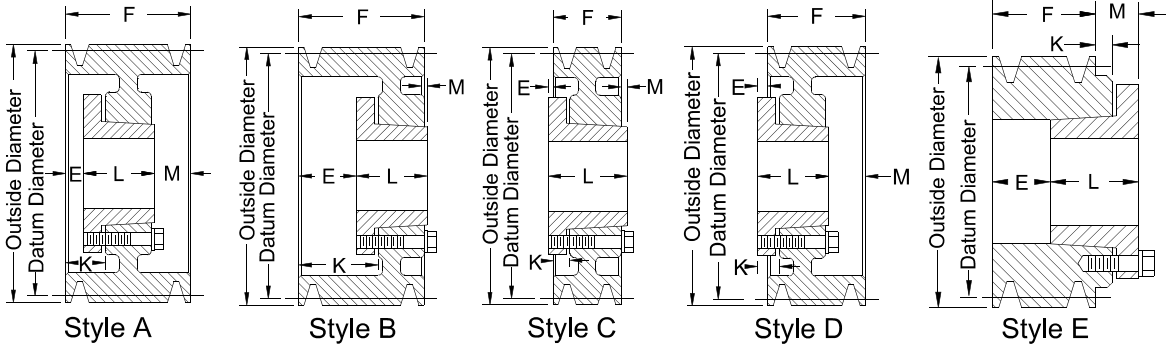
CAUTION: Do not use with rim speeds in excess of 6500 feet per minute.



OMAHA, NEBRASKA
 (402) 453-9595
 1-800-442-6009
 FAX (402) 453-1740

QD CONVENTIONAL SHEAVES

AB Combination Groove



2 GROOVE

Stock No.	Description	Outside Dia.	Datum Dia.		Style [^]	Dimensions					Fits Bush.	Wt. Lbs.**
			A-Belt	B-Belt		E*	F	K	L	M*		
77230034	2B34SH	3.75	3.00	3.40	E-1	1	1-3/4	0	1-5/16	9/16	SH	1.00
77230036	2B36SH	3.95	3.20	3.60	D-1	3/8	1-3/4	3/16	1-5/16	13/16	SH	1.40
77230038	2B38SH	4.15	3.40	3.80	D-1	3/8	1-3/4	3/16	1-5/16	13/16	SH	1.80
77230040	2B40SH	4.35	3.60	4.00	A-1	1/8	1-3/4	11/16	1-5/16	5/16	SH	2.00
77230042	2B42SH	4.55	3.80	4.20	A-1	1/8	1-3/4	11/16	1-5/16	5/16	SH	2.50
77230044	2B44SH	4.75	4.00	4.40	A-1	1/8	1-3/4	11/16	1-5/16	5/16	SH	2.80
77230046	2B46SDS	4.95	4.20	4.60	A-2	1/16	1-3/4	11/16	1-5/16	5/16	SDS	4.80
77230048	2B48SDS	5.15	4.40	4.80	A-2	1/16	1-3/4	11/16	1-5/16	5/16	SDS	5.00
77230050	2B50SDS	5.35	4.60	5.00	A-2	1/16	1-3/4	11/16	1-5/16	5/16	SDS	5.40
77230052	2B52SDS	5.55	4.80	5.20	A-2	1/16	1-3/4	11/16	1-5/16	5/16	SDS	5.60
77230054	2B54SDS	5.75	5.00	5.40	A-2	1/16	1-3/4	11/16	1-5/16	5/16	SDS	5.80
77230056	2B56SDS	5.95	5.20	5.60	A-2	1/16	1-3/4	11/16	1-5/16	5/16	SDS	6.00
77230058	2B58SDS	6.15	5.40	5.80	A-2	1/16	1-3/4	11/16	1-5/16	5/16	SDS	7.00
77230060	2B60SDS	6.35	5.60	6.00	A-2	1/16	1-3/4	11/16	1-5/16	5/16	SDS	7.50
77230062	2B62SDS	6.55	5.80	6.20	A-2	1/16	1-3/4	11/16	1-5/16	5/16	SDS	7.80
77230064	2B64SDS	6.75	6.00	6.40	A-2	1/16	1-3/4	11/16	1-5/16	5/16	SDS	8.00
77230066	2B66SDS	6.95	6.20	6.60	A-2	1/16	1-3/4	11/16	1-5/16	5/16	SDS	9.00
77230068	2B68SDS	7.15	6.40	6.80	A-2	1/16	1-3/4	11/16	1-5/16	5/16	SDS	9.50
77230070	2B70SK	7.35	6.60	7.00	D-2	1/4	1-3/4	7/16	1-15/16	1/16	SK	9.80
77230074	2B74SK	7.75	7.00	7.40	D-2	1/4	1-3/4	7/16	1-15/16	1/16	SK	11.00
77230080	2B80SK	8.35	7.60	8.00	D-2	1/4	1-3/4	7/16	1-15/16	1/16	SK	12.00
77230086	2B86SK	8.95	8.20	8.60	D-3	1/4	1-3/4	7/16	1-15/16	1/16	SK	13.00
77230094	2B94SK	9.75	9.00	9.40	D-3	1/4	1-3/4	7/16	1-15/16	1/16	SK	14.00
77230110	2B110SK	11.35	10.60	11.00	D-3	1/4	1-3/4	7/16	1-15/16	1/16	SK	15.00
77230124	2B124SK	12.75	12.00	12.40	D-3	1/4	1-3/4	7/16	1-15/16	1/16	SK	17.00
77230136	2B136SK	13.95	13.20	13.60	D-3	1/4	1-3/4	7/16	1-15/16	1/16	SK	19.00
77230154	2B154SK	15.75	15.00	15.40	D-3	1/4	1-3/4	7/16	1-15/16	1/16	SK	22.00
77230160	2B160SK	16.35	15.60	16.00	D-3	1/4	1-3/4	7/16	1-15/16	1/16	SK	25.00
77230184	2B184SK	18.75	18.00	18.40	D-3	1/4	1-3/4	7/16	1-15/16	1/16	SK	30.00
77230200	2B200SF	20.35	19.60	20.00	D-3	5/16	1-3/4	3/8	2-1/16	0	SF	39.00
77230250	2B250SF	25.35	24.60	25.00	D-3	5/16	1-3/4	3/8	2-1/16	0	SF	61.00
77230300	2B300SF	30.35	29.60	30.00	D-3	5/16	1-3/4	3/8	2-1/16	0	SF	64.00
77230380	2B380SF	38.35	37.60	38.00	D-3	5/16	1-3/4	3/8	2-1/16	0	SF	86.00

*E and M are reference dimensions only. **Weights are for the sheave only, less the bushing.

^ Numbers following the style letter indicate construction: 1-Solid, 2-Web, 3-Spoke.

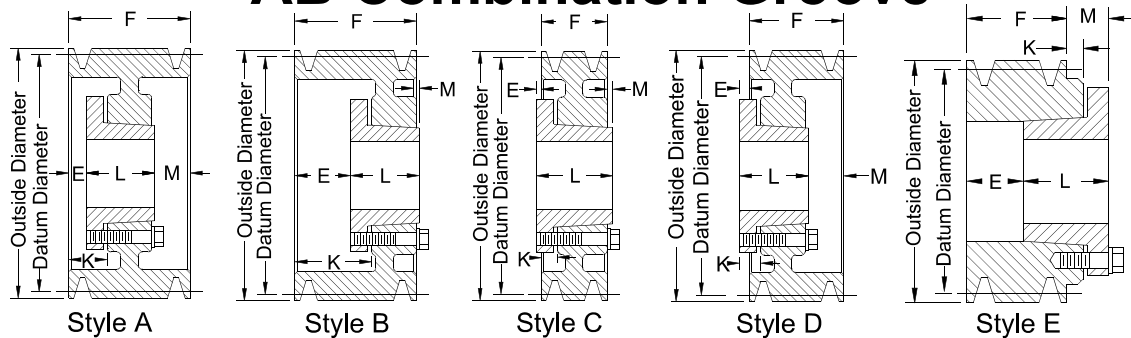
CAUTION: Do not use with rim speeds in excess of 6500 feet per minute.

QD CONVENTIONAL SHEAVES



OMAHA, NEBRASKA
(402) 453-9595
1-800-442-6009
FAX (402) 453-1740

AB Combination Groove



3 GROOVE

Stock No.	Description	Outside Dia.	Datum Dia.		Style [^]	Dimensions					Fits Bush.	Wt. Lbs.**
			A-Belt	B-Belt		E*	F	K	L	M*		
77300034	3B34SH	3.75	3.00	3.40	E-1	1-3/4	2-1/2	0	1-5/16	9/16	SH	3.40
77300036	3B36SH	3.95	3.20	3.60	D-1	3/8	2-1/2	3/16	1-5/16	1-9/16	SH	3.80
77300038	3B38SH	4.15	3.40	3.80	D-1	3/8	2-1/2	3/16	1-5/16	1-9/16	SH	4.00
77300040	3B40SH	4.35	3.60	4.00	A-1	1/2	2-1/2	1-1/16	1-5/16	11/16	SH	4.50
77300042	3B42SH	4.55	3.80	4.20	A-1	1/2	2-1/2	1-1/16	1-5/16	11/16	SH	5.00
77300044	3B44SH	4.75	4.00	4.40	A-1	1/2	2-1/2	1-1/16	1-5/16	11/16	SH	5.50
77300046	3B46SD	4.95	4.20	4.60	A-1	7/16	2-1/2	1-1/16	1-13/16	1/4	SD	6.00
77300048	3B48SD	5.15	4.40	4.80	A-1	7/16	2-1/2	1-1/16	1-13/16	1/4	SD	6.50
77300050	3B50SD	5.35	4.60	5.00	A-1	7/16	2-1/2	1-1/16	1-13/16	1/4	SD	7.00
77300052	3B52SD	5.55	4.80	5.20	A-1	7/16	2-1/2	1-1/16	1-13/16	1/4	SD	8.00
77300054	3B54SD	5.75	5.00	5.40	A-1	7/16	2-1/2	1-1/16	1-13/16	1/4	SD	8.50
77300056	3B56SD	5.95	5.20	5.60	A-1	7/16	2-1/2	1-1/16	1-13/16	1/4	SD	9.00
77300058	3B58SD	6.15	5.40	5.80	A-1	7/16	2-1/2	1-1/16	1-13/16	1/4	SD	10.00
77300060	3B60SD	6.35	5.60	6.00	A-1	7/16	2-1/2	1-1/16	1-13/16	1/4	SD	11.00
77300062	3B62SD	6.55	5.80	6.20	A-1	7/16	2-1/2	1-1/16	1-13/16	1/4	SD	12.00
77300064	3B64SD	6.75	6.00	6.40	A-1	7/16	2-1/2	1-1/16	1-13/16	1/4	SD	12.30
77300066	3B66SD	6.95	6.20	6.60	A-1	7/16	2-1/2	1-1/16	1-13/16	1/4	SD	12.60
77300068	3B68SD	7.15	6.40	6.80	A-1	7/16	2-1/2	1-1/16	1-13/16	1/4	SD	13.00
77300070	3B70SK	7.35	6.60	7.00	A-1	0	2-1/2	11/16	1-15/16	9/16	SK	14.00
77300074	3B74SK	7.75	7.00	7.40	A-1	0	2-1/2	11/16	1-15/16	9/16	SK	15.00
77300080	3B80SK	8.35	7.60	8.00	A-1	0	2-1/2	11/16	1-15/16	9/16	SK	16.00
77300086	3B86SK	8.95	8.20	8.60	A-3	0	2-1/2	11/16	1-15/16	9/16	SK	17.00
77300094	3B94SK	9.75	9.00	9.40	A-3	0	2-1/2	11/16	1-15/16	9/16	SK	18.00
77300110	3B110SK	11.35	10.60	11.00	A-3	0	2-1/2	11/16	1-15/16	9/16	SK	19.00
77300124	3B124SK	12.75	12.00	12.40	A-3	0	2-1/2	11/16	1-15/16	9/16	SK	23.00
77300136	3B136SK	13.95	13.20	13.60	A-3	0	2-1/2	11/16	1-15/16	9/16	SK	24.10
77300154	3B154SK	15.75	15.00	15.40	A-3	0	2-1/2	11/16	1-15/16	9/16	SK	28.00
77300160	3B160SK	16.35	15.60	16.00	A-3	0	2-1/2	11/16	1-15/16	9/16	SK	29.00
77300184	3B184SK	18.75	18.00	18.40	A-3	0	2-1/2	11/16	1-15/16	9/16	SK	37.00
77300200	3B200SF	20.35	19.60	20.00	D-3	1/16	2-1/2	5/8	2-1/16	1/2	SF	39.00
77300250	3B250SF	25.35	24.60	25.00	D-3	1/16	2-1/2	5/8	2-1/16	1/2	SF	67.00
77300300	3B300SF	30.35	29.60	30.00	D-3	1/8	2-1/2	5/8	2-1/16	1/2	SF	74.00
77300380	3B380E	38.35	37.60	38.00	D-3	3/8	2-1/2	5/8	2-3/4	1/8	E	122.00

*E and M are reference dimensions only. ** Weights are for the sheave only, less the bushing.

[^] Numbers following the style letter indicate construction: 1-Solid, 2-Web, 3-Spoke.

CAUTION: Do not use with rim speeds in excess of 6500 feet per minute.

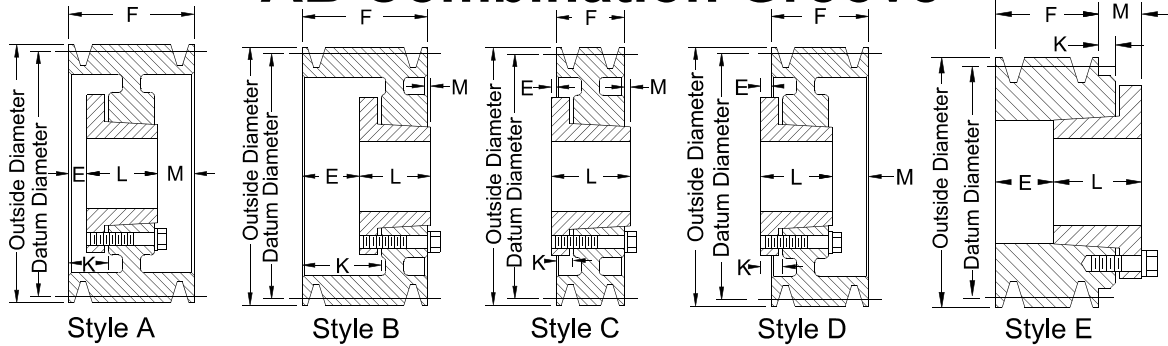
Sheaves & Bushings



OMAHA, NEBRASKA
(402) 453-9595
1-800-442-6009
FAX (402) 453-1740

QD CONVENTIONAL SHEAVES

AB Combination Groove



4 GROOVE

Stock No.	Description	Outside Dia.	Datum Dia.		Style [^]	Dimensions					Fits Bush.	Wt. Lbs.**
			A-Belt	B-Belt		E*	F	K	L	M*		
77400034	4B34SD	3.75	3.00	3.40	E-1	2-3/8	3-1/4	5/16	1-13/16	15/16	SD	4.00
77400036	4B36SD	3.95	3.20	3.60	E-1	2-3/8	3-1/4	5/16	1-13/16	15/16	SD	5.00
77400038	4B38SD	4.15	3.40	3.80	E-1	2-3/8	3-1/4	5/16	1-13/16	15/16	SD	5.50
77400040	4B40SD	4.35	3.60	4.00	E-1	2-1/16	3-1/4	0	1-13/16	5/8	SD	6.00
77400042	4B42SD	4.55	3.80	4.20	E-1	2-1/16	3-1/4	0	1-13/16	5/8	SD	7.00
77400044	4B44SD	4.75	4.00	4.40	E-1	2-1/16	3-1/4	0	1-13/16	5/8	SD	7.30
77400046	4B46SD	4.95	4.20	4.60	A-1	11/16	3-1/4	1-5/16	1-13/16	3/4	SD	7.60
77400048	4B48SD	5.15	4.40	4.80	A-1	11/16	3-1/4	1-5/16	1-13/16	3/4	SD	8.00
77400050	4B50SD	5.35	4.60	5.00	A-1	11/16	3-1/4	1-5/16	1-13/16	3/4	SD	9.00
77400052	4B52SD	5.55	4.80	5.20	A-1	11/16	3-1/4	1-5/16	1-13/16	3/4	SD	10.00
77400054	4B54SD	5.75	5.00	5.40	A-1	11/16	3-1/4	1-5/16	1-13/16	3/4	SD	10.50
77400056	4B56SD	5.95	5.20	5.60	A-1	11/16	3-1/4	1-5/16	1-13/16	3/4	SD	11.00
77400058	4B58SD	6.15	5.40	5.80	A-1	11/16	3-1/4	1-5/16	1-13/16	3/4	SD	12.00
77400060	4B60SD	6.35	5.60	6.00	A-1	11/16	3-1/4	1-5/16	1-13/16	3/4	SD	12.50
77400062	4B62SD	6.55	5.80	6.20	A-1	11/16	3-1/4	1-5/16	1-13/16	3/4	SD	13.00
77400064	4B64SD	6.75	6.00	6.40	A-1	11/16	3-1/4	1-5/16	1-13/16	3/4	SD	14.00
77400066	4B66SD	6.95	6.20	6.60	A-1	11/16	3-1/4	1-5/16	1-13/16	3/4	SD	14.50
77400068	4B68SD	7.15	6.40	6.80	A-1	11/16	3-1/4	1-5/16	1-13/16	3/4	SD	15.00
77400070	4B70SK	7.35	6.60	7.00	A-1	5/16	3-1/4	1	1-15/16	1	SK	15.50
77400074	4B74SK	7.75	7.00	7.40	A-1	5/16	3-1/4	1	1-15/16	1	SK	16.00
77400080	4B80SK	8.35	7.60	8.00	A-1	5/16	3-1/4	1	1-15/16	1	SK	17.00
77400086	4B86SK	8.95	8.20	8.60	A-3	5/16	3-1/4	1	1-15/16	1	SK	18.00
77400094	4B94SK	9.75	9.00	9.40	A-3	5/16	3-1/4	1	1-15/16	1	SK	19.00
77400110	4B110SK	11.35	10.60	11.00	A-3	5/16	3-1/4	1	1-15/16	1	SK	24.00
77400124	4B124SK	12.75	12.00	12.40	A-3	5/16	3-1/4	1	1-15/16	1	SK	26.00
77400136	4B136SK	13.95	13.20	13.60	A-3	5/16	3-1/4	1	1-15/16	1	SK	28.00
77400154	4B154SF	15.75	15.00	15.40	A-3	5/16	3-1/4	1	2-1/16	7/8	SF	41.00
77400160	4B160SF	16.35	15.60	16.00	A-3	5/16	3-1/4	1	2-1/16	7/8	SF	42.00
77400184	4B184SF	18.75	18.00	18.40	A-3	5/16	3-1/4	1	2-1/16	7/8	SF	48.00
77400200	4B200SF	20.35	19.60	20.00	A-3	5/16	3-1/4	1	2-1/16	7/8	SF	58.00
77400250	4B250E	25.35	24.60	25.00	A-3	1/8	3-1/4	1	2-3/4	1/2	E	78.00
77400300	4B300E	30.35	29.60	30.00	A-3	1/8	3-1/4	1	2-3/4	1/2	E	93.00
77400380	4B380E	38.35	37.60	38.00	A-3	1/8	3-1/4	1	2-3/4	1/2	E	138.00

*E and M are reference dimensions only. **Weights are for the sheave only, less the bushing.

[^] Numbers following the style letter indicate construction: 1-Solid, 2-Web, 3-Spoke.

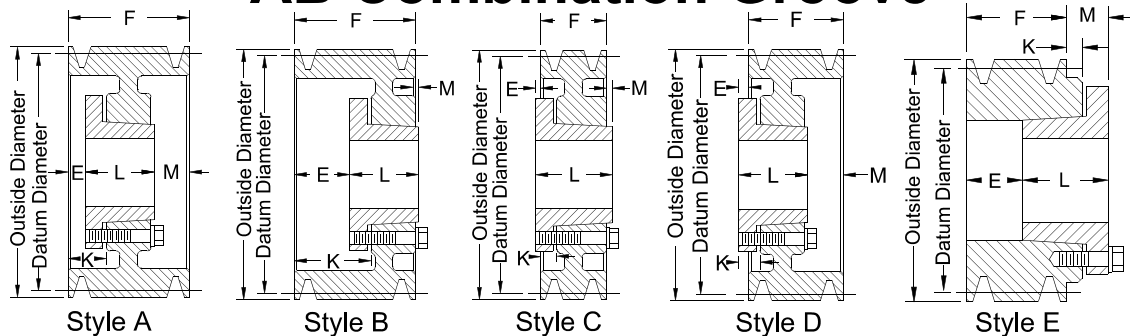
CAUTION: Do not use with rim speeds in excess of 6500 feet per minute.

QD CONVENTIONAL SHEAVES



OMAHA, NEBRASKA
(402) 453-9595
1-800-442-6009
FAX (402) 453-1740

AB Combination Groove



5 GROOVE

Stock No.	Description	Outside Dia.	Datum Dia.		Style [^]	Dimensions					Fits Bush.	Wt. Lbs.**
			A-Belt	B-Belt		E*	F	K	L	M*		
77500034	5B34SD	3.75	3.00	3.40	E-1	3-1/4	4	7/16	1-13/16	1-1/16	SD	5.00
77500036	5B36SD	3.95	3.20	3.60	E-1	3-1/4	4	7/16	1-13/16	1-1/16	SD	6.00
77500038	5B38SD	4.15	3.40	3.80	E-1	3-1/8	4	5/16	1-13/16	15/16	SD	6.50
77500040	5B40SD	4.35	3.60	4.00	E-1	2-13/16	4	0	1-13/16	5/8	SD	7.00
77500042	5B42SD	4.55	3.80	4.20	E-1	2-13/16	4	0	1-13/16	5/8	SD	7.50
77500044	5B44SD	4.75	4.00	4.40	E-1	2-13/16	4	0	1-13/16	5/8	SD	8.00
77500046	5B46SD	4.95	4.20	4.60	A-1	11/16	4	1-5/16	1-13/16	1-1/2	SD	9.00
77500048	5B48SD	5.15	4.40	4.80	A-1	11/16	4	1-5/16	1-13/16	1-1/2	SD	9.50
77500050	5B50SD	5.35	4.60	5.00	A-1	11/16	4	1-5/16	1-13/16	1-1/2	SD	10.00
77500052	5B52SD	5.55	4.80	5.20	A-1	11/16	4	1-5/16	1-13/16	1-1/2	SD	10.50
77500054	5B54SK	5.75	5.00	5.40	A-1	5/8	4	1-5/16	1-15/16	1-7/16	SK	11.00
77500056	5B56SK	5.95	5.20	5.60	A-1	5/8	4	1-5/16	1-15/16	1-7/16	SK	11.50
77500058	5B58SK	6.15	5.40	5.80	A-1	5/8	4	1-5/16	1-15/16	1-7/16	SK	12.00
77500060	5B60SK	6.35	5.60	6.00	A-1	5/8	4	1-5/16	1-15/16	1-7/16	SK	13.00
77500062	5B62SK	6.55	5.80	6.20	A-1	5/8	4	1-5/16	1-15/16	1-7/16	SK	14.00
77500064	5B64SK	6.75	6.00	6.40	A-1	5/8	4	1-5/16	1-15/16	1-7/16	SK	15.00
77500066	5B66SK	6.95	6.20	6.60	A-1	5/8	4	1-5/16	1-15/16	1-7/16	SK	16.00
77500068	5B68SK	7.15	6.40	6.80	A-1	5/8	4	1-5/16	1-15/16	1-7/16	SK	17.00
77500070	5B70SF	7.35	6.60	7.00	A-1	5/8	4	1-5/16	2-1/16	1-5/16	SF	18.00
77500074	5B74SF	7.75	7.00	7.40	A-1	5/8	4	1-5/16	2-1/16	1-5/16	SF	20.00
77500080	5B80SF	8.35	7.60	8.00	A-1	5/8	4	1-5/16	2-1/16	1-5/16	SF	23.00
77500086	5B86SF	8.95	8.20	8.60	A-2	5/8	4	1-5/16	2-1/16	1-5/16	SF	24.00
77500094	5B94SF	9.75	9.00	9.40	A-2	5/8	4	1-5/16	2-1/16	1-5/16	SF	26.00
77500110	5B110SF	11.35	10.60	11.00	A-2	5/8	4	1-5/16	2-1/16	1-5/16	SF	32.00
77500124	5B124SF	12.75	12.00	12.40	A-3	5/8	4	1-5/16	2-1/16	1-5/16	SF	35.00
77500136	5B136SF	13.95	13.20	13.60	A-3	5/8	4	1-5/16	2-1/16	1-5/16	SF	36.00
77500154	5B154SF	15.75	15.00	15.40	A-3	5/8	4	1-5/16	2-1/16	1-5/16	SF	46.00
77500160	5B160SF	16.35	15.60	16.00	A-3	5/8	4	1-5/16	2-1/16	1-5/16	SF	48.00
77500184	5B184SF	18.75	18.00	18.40	A-3	5/8	4	1-5/16	2-1/16	1-5/16	SF	50.00
77500200	5B200E	20.35	19.60	20.00	A-3	3/8	4	1-1/4	2-3/4	1	E	72.00
77500250	5B250E	25.35	24.60	25.00	A-3	3/8	4	1-1/4	2-3/4	1	E	90.00
77500300	5B300E	30.35	29.60	30.00	A-3	3/8	4	1-1/4	2-3/4	1	E	108.00
77500380	5B380E	38.35	37.60	38.00	A-3	3/8	4	1-1/4	2-3/4	1	E	145.00

*E and M are reference dimensions only. **Weights are for the sheave only, less the bushing.

[^] Numbers following the style letter indicate construction: 1-Solid, 2-Web, 3-Spoke.

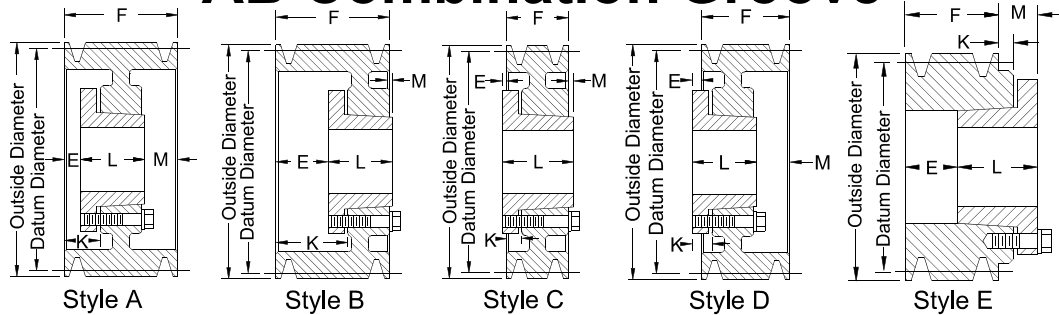
CAUTION: Do not use with rim speeds in excess of 6500 feet per minute.



OMAHA, NEBRASKA
 (402) 453-9595
 1-800-442-6009
 FAX (402) 453-1740

QD CONVENTIONAL SHEAVES

AB Combination Groove



6 GROOVE

Stock No.	Description	Outside Dia.	Datum Dia.		Style [^]	Dimensions					Fits Bush.	Wt. Lbs.**
			A-Belt	B-Belt		E*	F	K	L	M*		
77600034	6B34SD	3.75	3.00	3.40	E-1	3-7/8	4-3/4	5/16	1-13/16	15/16	SD	6.00
77600036	6B36SD	3.95	3.20	3.60	E-1	3-7/8	4-3/4	5/16	1-13/16	13/16	SD	7.00
77600038	6B38SD	4.15	3.40	3.80	E-1	3-7/8	4-3/4	5/16	1-13/16	13/16	SD	7.50
77600040	6B40SD	4.35	3.60	4.00	E-1	3-9/16	4-3/4	0	1-13/16	5/8	SD	8.00
77600042	6B42SD	4.55	3.80	4.20	E-1	3-9/16	4-3/4	0	1-13/16	5/8	SD	9.00
77600044	6B44SD	4.75	4.00	4.40	E-1	3-9/16	4-3/4	0	1-13/16	5/8	SD	9.50
77600046	6B46SD	4.95	4.20	4.60	A-1	9/16	4-3/4	1-3/16	1-13/16	2-3/8	SD	10.00
77600048	6B48SD	5.15	4.40	4.80	A-1	2-1/4	4-3/4	1-3/16	1-13/16	2-3/8	SD	10.50
77600050	6B50SD	5.35	4.60	5.00	A-1	2-1/4	4-3/4	1-3/16	1-13/16	2-3/8	SD	11.00
77600052	6B52SD	5.55	4.80	5.20	A-1	2-1/4	4-3/4	1-3/16	1-13/16	2-3/8	SD	11.50
77600054	6B54SK	5.75	5.00	5.40	A-1	5/8	4-3/4	1-5/16	1-15/16	2-3/16	SK	12.00
77600056	6B56SK	5.95	5.20	5.60	A-1	5/8	4-3/4	1-5/16	1-15/16	2-3/16	SK	13.00
77600058	6B58SK	6.15	5.40	5.80	A-1	5/8	4-3/4	1-5/16	1-15/16	2-3/16	SK	14.00
77600060	6B60SK	6.35	5.60	6.00	A-1	5/8	4-3/4	1-5/16	1-15/16	2-3/16	SK	15.00
77600062	6B62SK	6.55	5.80	6.20	A-1	5/8	4-3/4	1-5/16	1-15/16	2-3/16	SK	16.00
77600064	6B64SK	6.75	6.00	6.40	A-1	5/8	4-3/4	1-5/16	1-15/16	2-3/16	SK	17.00
77600066	6B66SK	6.95	6.20	6.60	A-1	5/8	4-3/4	1-5/16	1-15/16	2-3/16	SK	18.00
77600068	6B68SK	7.15	6.40	6.80	A-1	5/8	4-3/4	1-5/16	1-15/16	2-3/16	SK	19.00
77600070	6B70SF	7.35	6.60	7.00	A-1	1	4-3/4	1-11/16	2-1/16	1-11/16	SF	19.50
77600074	6B74SF	7.75	7.00	7.40	A-1	1	4-3/4	1-11/16	2-1/16	1-11/16	SF	22.00
77600080	6B80SF	8.35	7.60	8.00	A-1	1	4-3/4	1-11/16	2-1/16	1-11/16	SF	25.00
77600086	6B86SF	8.95	8.20	8.60	A-2	1	4-3/4	1-11/16	2-1/16	1-11/16	SF	28.00
77600094	6B94SF	9.75	9.00	9.40	A-2	1	4-3/4	1-11/16	2-1/16	1-11/16	SF	29.00
77600110	6B110SF	11.35	10.60	11.00	A-2	1	4-3/4	1-11/16	2-1/16	1-11/16	SF	30.00
77600124	6B124SF	12.75	12.00	12.40	A-3	1	4-3/4	1-11/16	2-1/16	1-11/16	SF	40.00
77600136	6B136SF	13.95	13.20	13.60	A-3	1	4-3/4	1-11/16	2-1/16	1-11/16	SF	45.00
77600154	6B154SF	15.75	15.00	15.40	A-3	1	4-3/4	1-11/16	2-1/16	1-11/16	SF	46.00
77600160	6B160SF	16.35	15.60	16.00	A-3	1	4-3/4	1-11/16	2-1/16	1-11/16	SF	50.00
77600184	6B184SF	18.75	18.00	18.40	A-3	1	4-3/4	1-11/16	2-1/16	1-11/16	SF	60.00
77600200	6B200E	20.35	19.60	20.00	A-3	1/2	4-3/4	1-3/8	2-3/4	1-5/8	E	78.00
77600250	6B250E	25.35	24.60	25.00	A-3	1/2	4-3/4	1-3/8	2-3/4	1-5/8	E	98.00
77600300	6B300E	30.35	29.60	30.00	A-3	1/2	4-3/4	1-3/8	2-3/4	1-5/8	E	109.00
77600380	6B380E	38.35	37.60	38.00	A-3	1/2	4-3/4	1-3/8	2-3/4	1-5/8	E	173.00

*E and M are reference dimensions only. **Weights are for the sheave only, less the bushing.

[^] Numbers following the style letter indicate construction: 1-Solid, 2-Web, 3-Spoke.

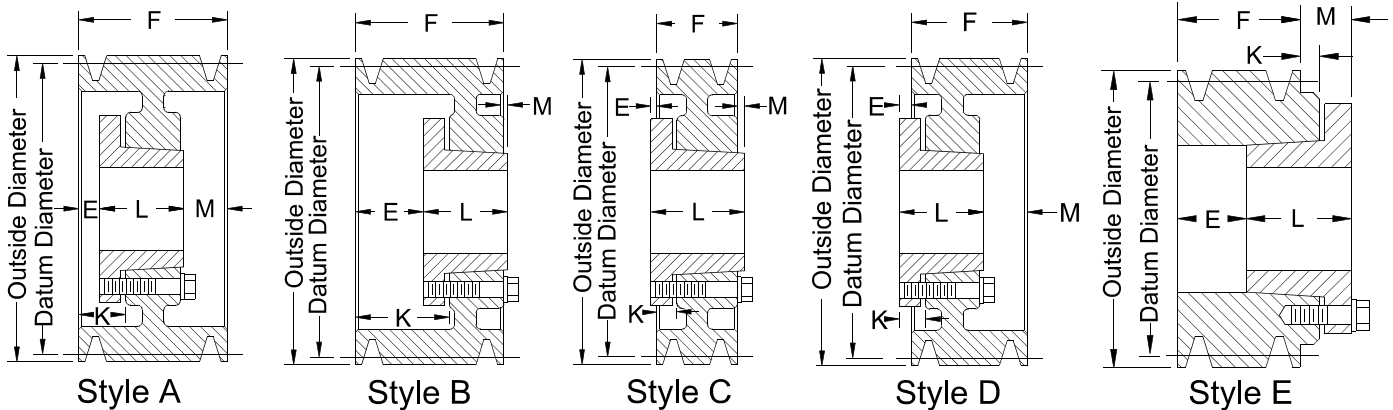
Sheaves & Bushings

QD CONVENTIONAL SHEAVES



OMAHA, NEBRASKA
(402) 453-9595
1-800-442-6009
FAX (402) 453-1740

AB Combination Groove



8 GROOVE

Stock No.	Description	Outside Dia.	Datum Dia.		Style [^]	Dimensions					Fits Bush.	Wt. Lbs.**
			A-Belt	B-Belt		E*	F	K	L	M*		
77800054	8B54SK	5.75	5.00	5.40	A-1	1-1/8	6-1/4	1-13/16	1-15/16	3-3/16	SK	14.00
77800056	8B56SK	5.95	5.20	5.60	A-1	1-1/8	6-1/4	1-13/16	1-15/16	3-3/16	SK	16.00
77800058	8B58SK	6.15	5.40	5.80	A-1	1-1/8	6-1/4	1-13/16	1-15/16	3-3/16	SK	16.50
77800060	8B60SF	6.35	5.60	6.00	A-1	1-1/8	6-1/4	1-13/16	2-1/16	3-1/16	SF	17.00
77800062	8B62SF	6.55	5.80	6.20	A-1	1-1/8	6-1/4	1-13/16	2-1/16	3-1/16	SF	18.00
77800064	8B64SF	6.75	6.00	6.40	A-1	1-1/8	6-1/4	1-13/16	2-1/16	3-1/16	SF	18.50
77800066	8B66SF	6.95	6.20	6.60	A-1	1-1/8	6-1/4	1-13/16	2-1/16	3-1/16	SF	21.00
77800068	8B68SF	7.15	6.40	6.80	A-1	1-1/8	6-1/4	1-13/16	2-1/16	3-1/16	SF	22.00
77800070	8B70SF	7.35	6.60	7.00	A-1	1-1/8	6-1/4	1-13/16	2-1/16	3-1/16	SF	22.50
77800074	8B74SF	7.75	7.00	7.40	A-1	1-1/8	6-1/4	1-13/16	2-1/16	3-1/16	SF	25.00
77800080	8B80SF	8.35	7.60	8.00	A-1	1-1/8	6-1/4	1-13/16	2-1/16	3-1/16	SF	29.00
77800086	8B86E	8.95	8.20	8.60	A-1	1-1/2	6-1/4	2-3/8	2-3/4	2-1/8	E	34.00
77800094	8B94E	9.75	9.00	9.40	A-1	1-1/2	6-1/4	2-3/8	2-3/4	2-1/8	E	40.00
77800110	8B110E	11.35	10.60	11.00	A-2	1-1/2	6-1/4	2-3/8	2-3/4	2-1/8	E	47.00
77800124	8B124E	12.75	12.00	12.40	A-3	1-1/2	6-1/4	2-3/8	2-3/4	2-1/8	E	52.00
77800136	8B136E	13.95	13.20	13.60	A-3	1-1/2	6-1/4	2-3/8	2-3/4	2-1/8	E	60.00
77800154	8B154E	15.75	15.00	15.40	A-3	1-1/2	6-1/4	2-3/8	2-3/4	2-1/8	E	82.00
77800160	8B160E	16.35	15.60	16.00	A-3	1-1/2	6-1/4	2-3/8	2-3/4	2-1/8	E	90.00
77800184	8B184F	18.75	18.00	18.40	A-3	5/16	6-1/4	1-5/16	3-3/4	2-5/16	F	110.00
77800200	8B200F	20.35	19.60	20.00	A-3	5/16	6-1/4	1-5/16	3-3/4	2-5/16	F	122.00
77800250	8B250F	25.35	24.60	25.00	A-3	5/16	6-1/4	1-5/16	3-3/4	2-5/16	F	138.00
77800300	8B300F	30.35	29.60	30.00	A-3	5/16	6-1/4	1-5/16	3-3/4	2-5/16	F	168.00
77800380	8B380F	38.35	37.60	38.00	A-3	5/16	6-1/4	1-5/16	3-3/4	2-5/16	F	222.00

*E and M are reference dimensions only. ** Weights are for the sheave only, less the bushing.

[^] Numbers following the style letter indicate construction: 1-Solid, 2-Web, 3-Spoke.

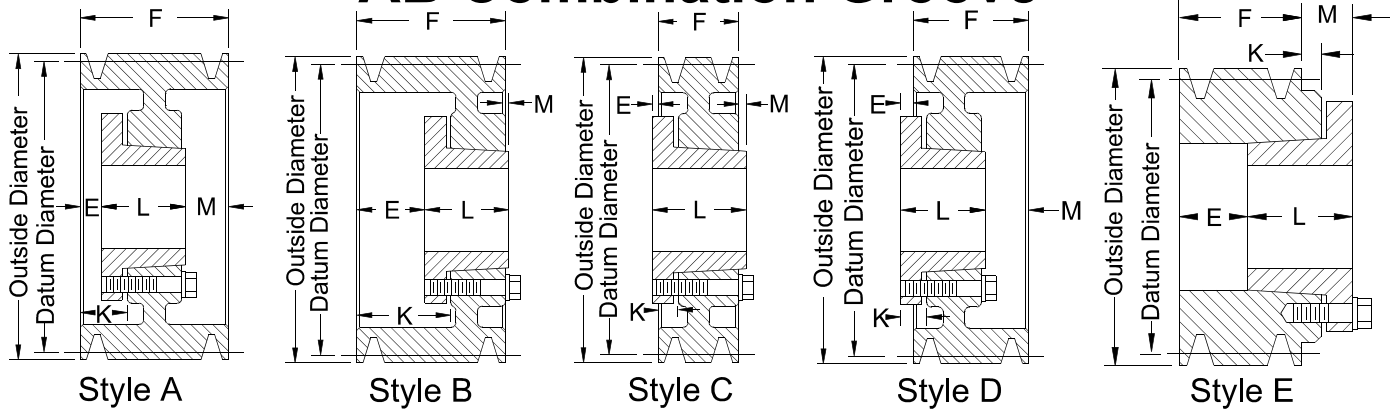
CAUTION: Do not use with rim speeds in excess of 6500 feet per minute.



OMAHA, NEBRASKA
(402) 453-9595
1-800-442-6009
FAX (402) 453-1740

QD CONVENTIONAL SHEAVES

AB Combination Groove



10 GROOVE

Stock No.	Description	Outside Dia.	Datum Dia.		Style [^]	Dimensions					Fits Bush.	Wt. Lbs.**
			A-Belt	B-Belt		E*	F	K	L	M*		
77900054	10B54SK	5.75	5.00	5.40	A-1	1-7/8	7-3/4	2-9/16	1-15/16	3-15/16	SK	15.00
77900056	10B56SK	5.95	5.20	5.60	A-1	1-7/8	7-3/4	2-9/16	1-15/16	3-15/16	SK	18.00
77900058	10B58SK	6.15	5.40	5.80	A-1	1-7/8	7-3/4	2-9/16	1-15/16	3-15/16	SK	20.00
77900060	10B60SF	6.35	5.60	6.00	A-1	1-7/8	7-3/4	2-9/16	2-1/16	3-13/16	SF	22.00
77900062	10B62SF	6.55	5.80	6.20	A-1	1-7/8	7-3/4	2-9/16	2-1/16	3-13/16	SF	24.00
77900064	10B64SF	6.75	6.00	6.40	A-1	1-7/8	7-3/4	2-9/16	2-1/16	3-13/16	SF	25.00
77900066	10B66SF	6.95	6.20	6.60	A-1	1-7/8	7-3/4	2-9/16	2-1/16	3-13/16	SF	26.00
77900068	10B68SF	7.15	6.40	6.80	A-1	1-7/8	7-3/4	2-9/16	2-1/16	3-13/16	SF	27.00
77900070	10B70SF	7.35	6.60	7.00	A-1	1-7/8	7-3/4	2-9/16	2-1/16	3-13/16	SF	28.00
77900074	10B74SF	7.75	7.00	7.40	A-1	1-7/8	7-3/4	2-9/16	2-1/16	3-13/16	SF	31.00
77900080	10B80SF	8.35	7.60	8.00	A-1	1-7/8	7-3/4	2-9/16	2-1/16	3-13/16	SF	35.00
77900086	10B86E	8.95	8.20	8.60	A-1	2-1/4	7-3/4	3-1/8	2-3/4	2-7/8	E	38.00
77900094	10B94E	9.75	9.00	9.40	A-1	2-1/4	7-3/4	3-1/8	2-3/4	2-7/8	E	45.00
77900110	10B110E	11.35	10.60	11.00	A-2	2-1/4	7-3/4	3-1/8	2-3/4	2-7/8	E	53.00
77900124	10B124E	12.75	12.00	12.40	A-3	2-1/4	7-3/4	3-1/8	2-3/4	2-7/8	E	63.00
77900136	10B136F	13.95	13.20	13.60	A-3	1-1/16	7-3/4	2-1/16	3-3/4	3-1/16	F	78.00
77900154	10B154F	15.75	15.00	15.40	A-3	1-1/16	7-3/4	2-1/16	3-3/4	3-1/16	F	90.00
77900160	10B160F	16.35	15.60	16.00	A-3	1-1/16	7-3/4	2-1/16	3-3/4	3-1/16	F	96.00
77900184	10B184F	18.75	18.00	18.40	A-3	1-1/16	7-3/4	2-1/16	3-3/4	3-1/16	F	113.00
77900200	10B200F	20.35	19.60	20.00	A-3	1-1/16	7-3/4	2-1/16	3-3/4	3-1/16	F	114.00
77900250	10B250F	25.35	24.60	25.00	A-3	1-1/16	7-3/4	2-1/16	3-3/4	3-1/16	F	138.00
77900300	10B300F	30.35	29.60	30.00	A-3	1-1/16	7-3/4	2-1/16	3-3/4	3-1/16	F	200.00
77900380	10B380J	38.35	37.60	38.00	A-3	3/8	7-3/4	1-9/16	4-5/8	2-7/8	J	279.00

*E and M are reference dimensions only. **Weights are for the sheave only, less the bushing.

[^] Numbers following the style letter indicate construction: 1-Solid, 2-Web, 3-Spoke.

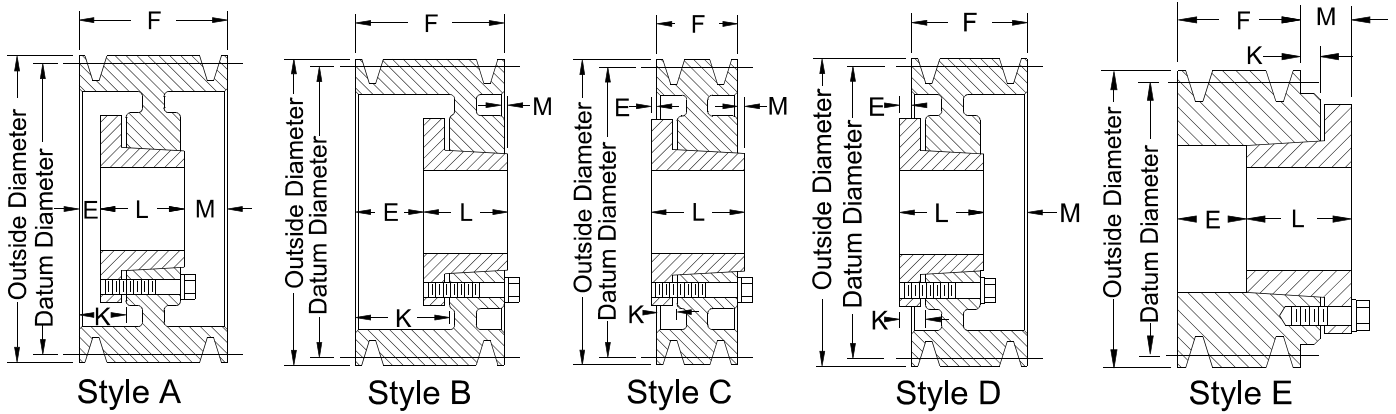
CAUTION: Do not use with rim speeds in excess of 6500 feet per minute.

QD CONVENTIONAL SHEAVES



OMAHA, NEBRASKA
(402) 453-9595
1-800-442-6009
FAX (402) 453-1740

C Groove



1 GROOVE

Stock No.	Description	Outside Dia.	Datum Dia.	Style [^]	Dimensions					Fits Bush.	Wt. Lbs.**
					E*	F	K	L	M*		
76010060	1C60SK	6.40	6.00	C-1	9/16	1-3/8	1/8	1-15/16	0	SK	9.40
76010070	1C70SF	7.40	7.00	C-1	9/16	1-3/8	1/8	2-1/16	1/8	SF	9.80
76010075	1C75SF	7.90	7.50	C-1	9/16	1-3/8	1/8	2-1/16	1/8	SF	11.00
76010080	1C80SF	8.40	8.00	C-1	9/16	1-3/8	1/8	2-1/16	1/8	SF	13.00
76010085	1C85SF	8.90	8.50	C-1	9/16	1-3/8	1/8	2-1/16	1/8	SF	13.30
76010090	1C90SF	9.40	9.00	C-3	9/16	1-3/8	1/8	2-1/16	1/8	SF	13.50
76010095	1C95SF	9.90	9.50	C-3	9/16	1-3/8	1/8	2-1/16	1/8	SF	13.80
76010100	1C100SF	10.40	10.00	C-3	9/16	1-3/8	1/8	2-1/16	1/8	SF	14.00
76010105	1C105SF	10.90	10.50	C-3	9/16	1-3/8	1/8	2-1/16	1/8	SF	15.00
76010110	1C110SF	11.40	11.00	C-3	9/16	1-3/8	1/8	2-1/16	1/8	SF	15.80
76010120	1C120SF	12.40	12.00	C-3	9/16	1-3/8	1/8	2-1/16	1/8	SF	17.00
76010130	1C130SF	13.40	13.00	C-3	9/16	1-3/8	1/8	2-1/16	1/8	SF	18.00
76010140	1C140SF	14.40	14.00	C-3	9/16	1-3/8	1/8	2-1/16	1/8	SF	20.00
76010150	1C150SF	15.40	15.00	C-3	9/16	1-3/8	1/8	2-1/16	1/8	SF	21.00
76010160	1C160SF	16.40	16.00	C-3	9/16	1-3/8	1/8	2-1/16	1/8	SF	24.00
76010180	1C180SF	18.40	18.00	C-3	9/16	1-3/8	1/8	2-1/16	1/8	SF	27.00
76010200	1C200SF	20.40	20.00	C-3	9/16	1-3/8	1/8	2-1/16	1/8	SF	31.00
76010240	1C240SF	24.40	24.00	C-3	9/16	1-3/8	1/8	2-1/16	1/8	SF	37.00

*E and M are reference dimensions only. **Weights are for the sheave only, less the bushing.

[^] Numbers following the style letter indicate construction: 1-Solid, 2-Web, 3-Spoke.

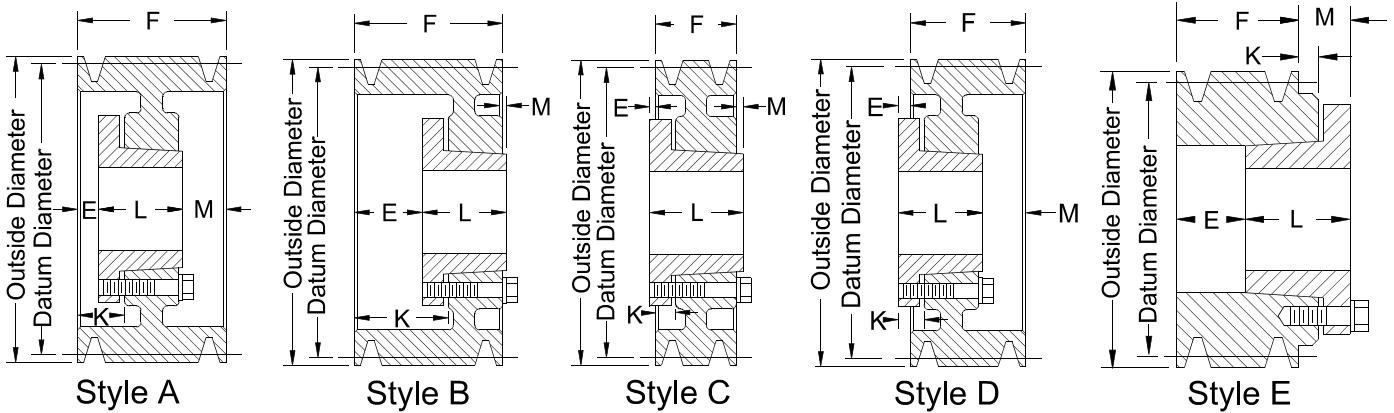
CAUTION: Do not use with rim speeds in excess of 6500 feet per minute.



OMAHA, NEBRASKA
 (402) 453-9595
 1-800-442-6009
 FAX (402) 453-1740

QD CONVENTIONAL SHEAVES

C Groove



2 GROOVE

Stock No.	Description	Outside Dia.	Datum Dia.	Style [^]	Dimensions					Fits Bush.	Wt. Lbs.**
					E*	F	K	L	M*		
76020070	2C70SF	7.40	7.00	A-1	1/8	2-3/8	13/16	2-1/16	3/16	SF	12.00
76020075	2C75SF	7.90	7.50	A-1	1/8	2-3/8	13/16	2-1/16	3/16	SF	15.00
76020080	2C80SF	8.40	8.00	A-1	1/8	2-3/8	13/16	2-1/16	3/16	SF	16.00
76020085	2C85SF	8.90	8.50	A-2	1/8	2-3/8	13/16	2-1/16	3/16	SF	19.00
76020090	2C90SF	9.40	9.00	A-2	1/8	2-3/8	13/16	2-1/16	3/16	SF	19.50
76020095	2C95SF	9.90	9.50	A-2	1/8	2-3/8	13/16	2-1/16	3/16	SF	21.00
76020100	2C100SF	10.40	10.00	A-2	1/8	2-3/8	13/16	2-1/16	3/16	SF	22.00
76020105	2C105SF	10.90	10.50	A-2	1/8	2-3/8	13/16	2-1/16	3/16	SF	25.00
76020110	2C110SF	11.40	11.00	A-3	1/8	2-3/8	13/16	2-1/16	3/16	SF	26.00
76020120	2C120SF	12.40	12.00	D-3	1/8	2-3/8	9/16	2-1/16	7/16	SF	29.00
76020130	2C130SF	13.40	13.00	D-3	1/8	2-3/8	9/16	2-1/16	7/16	SF	31.00
76020140	2C140SF	14.40	14.00	D-3	1/8	2-3/8	9/16	2-1/16	7/16	SF	35.00
76020150	2C150SF	15.40	15.00	D-3	1/8	2-3/8	9/16	2-1/16	7/16	SF	39.00
76020160	2C160SF	16.40	16.00	D-3	1/8	2-3/8	9/16	2-1/16	7/16	SF	43.00
76020180	2C180SF	18.40	18.00	D-3	1/8	2-3/8	9/16	2-1/16	7/16	SF	48.00
76020200	2C200SF	20.40	20.00	D-3	1/8	2-3/8	9/16	2-1/16	7/16	SF	55.00
76020240	2C240SF	24.40	24.00	D-3	1/8	2-3/8	9/16	2-1/16	7/16	SF	65.00
76020270	2C270F	27.40	27.00	C-3	11/16	2-3/8	5/16	3-3/4	9/16	F	107.00
76020300	2C300F	30.40	30.00	C-3	11/16	2-3/8	5/16	3-3/4	9/16	F	115.00

*E and M are reference dimensions only. **Weights are for the sheave only, less the bushing.

[^] Numbers following the style letter indicate construction: 1-Solid, 2-Web, 3-Spoke.

CAUTION: Do not use with rim speeds in excess of 6500 feet per minute.

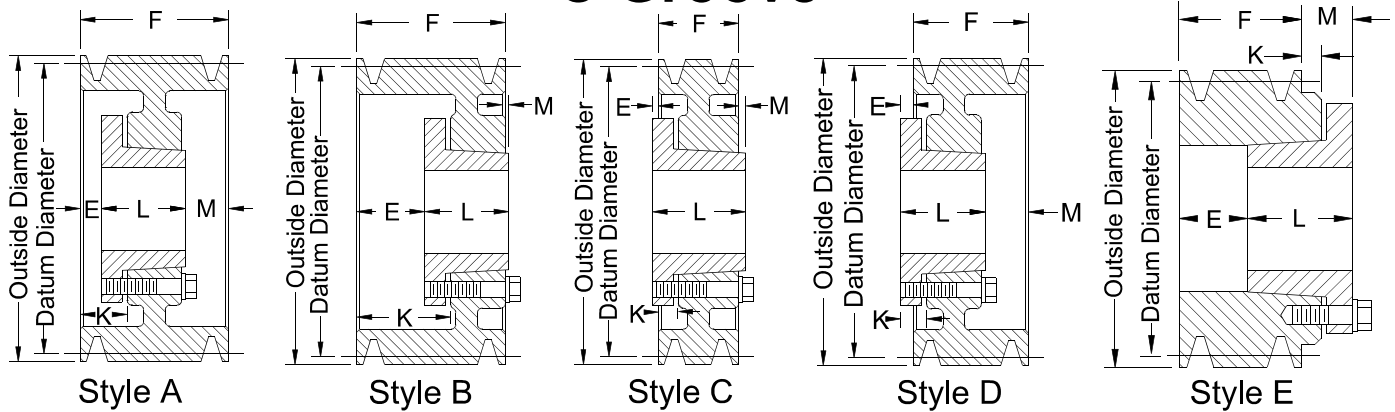
Sheaves & Bushings

QD CONVENTIONAL SHEAVES



OMAHA, NEBRASKA
(402) 453-9595
1-800-442-6009
FAX (402) 453-1740

C Groove



3 GROOVE

Stock No.	Description	Outside Dia.	Datum Dia.	Style [^]	Dimensions					Fits Bush.	Wt. Lbs.**
					E*	F	K	L	M*		
76030050	3C50SD	5.40	5.00	A-1	5/8	3-3/8	1-1/4	1-13/16	15/16	SD	8.00
76030054	3C54SD	5.80	5.40	A-1	11/16	3-3/8	1-5/16	1-13/16	7/8	SD	9.00
76030055	3C55SD	5.90	5.50	A-1	11/16	3-3/8	1-5/16	1-13/16	7/8	SD	10.00
76030056	3C56SD	6.00	5.60	A-1	11/16	3-3/8	1-5/16	1-13/16	7/8	SD	11.00
76030060	3C60SF	6.40	6.00	A-1	3/16	3-3/8	7/8	2-1/16	1-1/8	SF	12.00
76030070	3C70SF	7.40	7.00	A-1	5/8	3-3/8	1-5/16	2-1/16	11/16	SF	14.00
76030075	3C75SF	7.90	7.50	A-1	5/8	3-3/8	1-5/16	2-1/16	11/16	SF	17.00
76030080	3C80E	8.40	8.00	B-1	7/8	3-3/8	1-3/4	2-3/4	1/8	E	19.00
76030085	3C85E	8.90	8.50	B-1	7/8	3-3/8	1-3/4	2-3/4	1/8	E	22.00
76030090	3C90E	9.40	9.00	B-1	7/8	3-3/8	1-3/4	2-3/4	1/8	E	26.00
76030095	3C95E	9.90	9.50	B-1	7/8	3-3/8	1-3/4	2-3/4	1/8	E	29.00
76030100	3C100E	10.40	10.00	B-2	7/8	3-3/8	1-3/4	2-3/4	1/8	E	27.00
76030105	3C105E	10.90	10.50	B-2	7/8	3-3/8	1-3/4	2-3/4	1/8	E	31.00
76030110	3C110E	11.40	11.00	B-2	7/8	3-3/8	1-3/4	2-3/4	1/8	E	38.00
76030120	3C120E	12.40	12.00	B-3	7/8	3-3/8	1-3/4	2-3/4	1/8	E	40.00
76030130	3C130E	13.40	13.00	B-3	7/8	3-3/8	1-3/4	2-3/4	1/8	E	43.00
76030140	3C140E	14.40	14.00	B-3	7/8	3-3/8	1-3/4	2-3/4	1/8	E	46.00
76030150	3C150E	15.40	15.00	B-3	7/8	3-3/8	1-3/4	2-3/4	1/8	E	52.00
76030160	3C160E	16.40	16.00	B-3	7/8	3-3/8	1-3/4	2-3/4	1/8	E	58.00
76030180	3C180E	18.40	18.00	B-3	7/8	3-3/8	1-3/4	2-3/4	1/8	E	67.00
76030200	3C200E	20.40	20.00	A-3	1/8	3-3/8	1	2-3/4	5/8	E	70.00
76030240	3C240E	24.40	24.00	A-3	1/8	3-3/8	1	2-3/4	5/8	E	90.00
76030270	3C270F	27.40	27.00	C-3	3/16	3-3/8	13/16	3-3/4	1/16	F	124.00
76030300	3C300F	30.40	30.00	C-3	3/16	3-3/8	13/16	3-3/4	1/16	F	130.00
76030360	3C360F	36.40	36.00	C-3	3/16	3-3/8	13/16	3-3/4	1/16	F	166.00
76030440	3C440F	44.40	44.00	C-3	3/16	3-3/8	13/16	3-3/4	1/16	F	208.00
76030500	3C500F	50.40	50.00	C-3	3/16	3-3/8	13/16	3-3/4	1/16	F	250.00

*E and M are reference dimensions only. **Weights are for the sheave only, less the bushing.

[^] Numbers following the style letter indicate construction: 1-Solid, 2-Web, 3-Spoke.

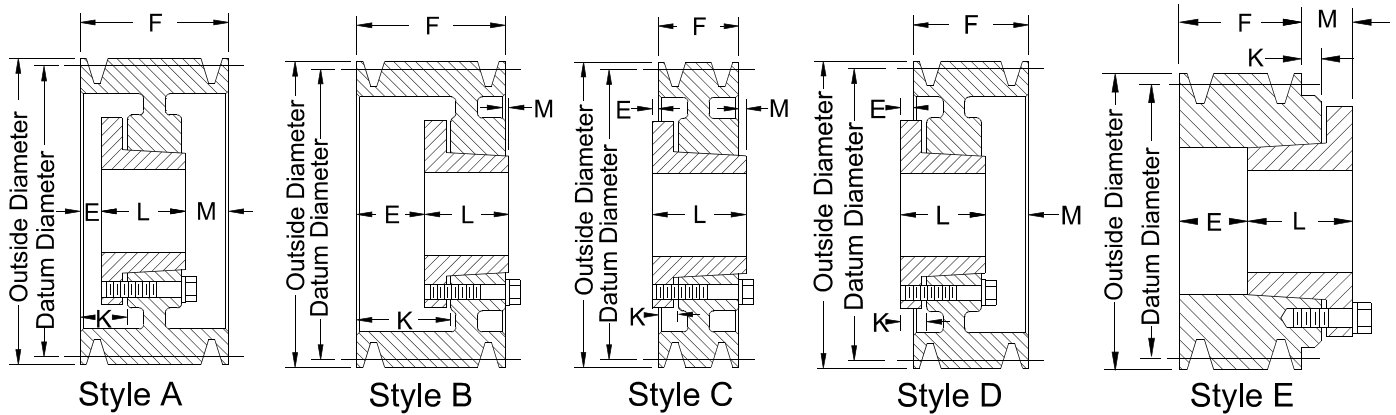
CAUTION: Do not use with rim speeds in excess of 6500 feet per minute.



OMAHA, NEBRASKA
 (402) 453-9595
 1-800-442-6009
 FAX (402) 453-1740

QD CONVENTIONAL SHEAVES

C Groove



4 GROOVE

Stock No.	Description	Outside Dia.	Datum Dia.	Style [^]	Dimensions					Fits Bush.	Wt. Lbs.**
					E*	F	K	L	M*		
76040050	4C50SD	5.40	5.00	A-1	5/8	4-3/8	1-1/4	1-13/16	1-15/16	SD	10.00
76040054	4C54SD	5.80	5.40	A-1	11/16	4-3/8	1-5/16	1-13/16	1-7/8	SD	12.00
76040055	4C55SD	5.90	5.50	A-1	11/16	4-3/8	1-5/16	1-13/16	1-7/8	SD	12.40
76040056	4C56SD	6.00	5.60	A-1	11/16	4-3/8	1-5/16	1-13/16	1-7/8	SD	12.40
76040060	4C60SF	6.40	6.00	A-1	3/16	4-3/8	7/8	2-1/16	2-1/8	SF	12.60
76040070	4C70SF	7.40	7.00	A-2	7/8	4-3/8	1-9/16	2-1/16	1-7/16	SF	13.00
76040075	4C75SF	7.90	7.50	A-2	7/8	4-3/8	1-9/16	2-1/16	1-7/16	SF	19.00
76040080	4C80E	8.40	8.00	A-2	1-1/8	4-3/8	2	2-3/4	5/8	E	24.00
76040085	4C85E	8.90	8.50	A-1	1-1/8	4-3/8	2	2-3/4	5/8	E	27.00
76040090	4C90E	9.40	9.00	A-1	1-1/8	4-3/8	2	2-3/4	5/8	E	30.00
76040095	4C95E	9.90	9.50	A-1	1-1/8	4-3/8	2	2-3/4	5/8	E	33.00
76040100	4C100E	10.40	10.00	A-2	1-1/8	4-3/8	2	2-3/4	5/8	E	35.00
76040105	4C105E	10.90	10.50	A-2	1-1/8	4-3/8	2	2-3/4	5/8	E	40.00
76040110	4C110E	11.40	11.00	A-1	1-1/8	4-3/8	2	2-3/4	5/8	E	45.00
76040120	4C120E	12.40	12.00	A-1	1-1/8	4-3/8	2	2-3/4	5/8	E	48.00
76040130	4C130E	13.40	13.00	A-3	1-1/8	4-3/8	2	2-3/4	5/8	E	49.00
76040140	4C140E	14.40	14.00	A-3	1-1/8	4-3/8	2	2-3/4	5/8	E	56.00
76040150	4C150E	15.40	15.00	A-3	1-1/8	4-3/8	2	2-3/4	5/8	E	62.00
76040160	4C160E	16.40	16.00	A-3	1-1/8	4-3/8	2	2-3/4	5/8	E	68.00
76040180	4C180E	18.40	18.00	A-3	1-1/8	4-3/8	2	2-3/4	5/8	E	74.00
76040200	4C200E	20.40	20.00	A-3	5/8	4-3/8	1-1/2	2-3/4	1-1/8	E	81.00
76040240	4C240F	24.40	24.00	A-3	5/16	4-3/8	1-5/16	3-3/4	7/16	F	120.00
76040270	4C270F	27.40	27.00	A-3	5/16	4-3/8	1-5/16	3-3/4	7/16	F	138.00
76040300	4C300F	30.40	30.00	A-3	5/16	4-3/8	1-5/16	3-3/4	7/16	F	166.00
76040360	4C360F	36.40	36.00	A-3	5/16	4-3/8	1-5/16	3-3/4	7/16	F	176.00
76040440	4C440J	44.40	44.00	B-3	3/8	4-3/8	1-9/16	4-5/8	1/2	J	254.00
76040500	4C500J	50.40	50.00	B-3	3/8	4-3/8	1-9/16	4-5/8	1/2	J	318.00

*E and M are reference dimensions only. ** Weights are for the sheave only, less the bushing.

[^] Numbers following the style letter indicate construction: 1-Solid, 2-Web, 3-Spoke.

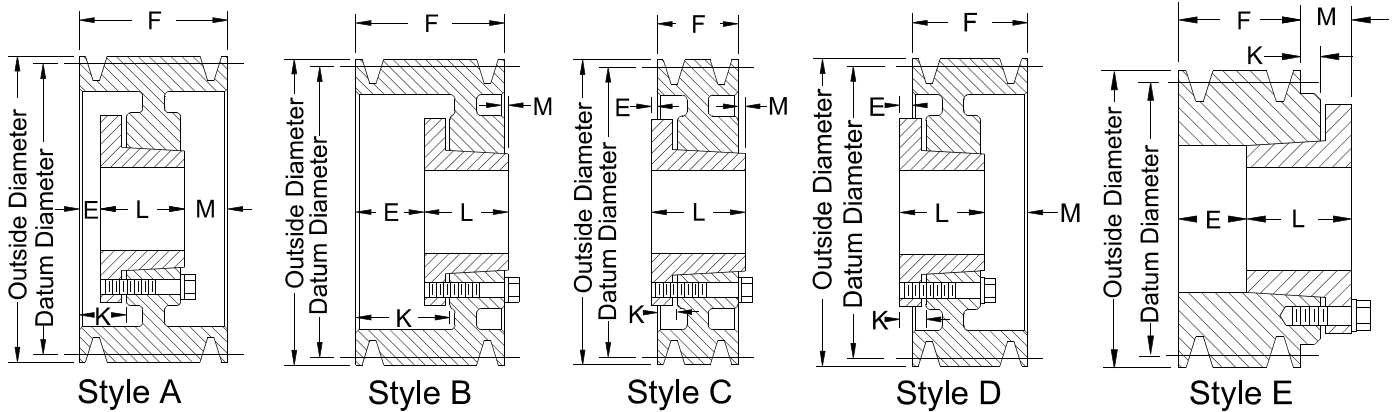
CAUTION: Do not use with rim speeds in excess of 6500 feet per minute.

QD CONVENTIONAL SHEAVES



OMAHA, NEBRASKA
(402) 453-9595
1-800-442-6009
FAX (402) 453-1740

C Groove



5 GROOVE

Stock No.	Description	Outside Dia.	Datum Dia.	Style [^]	Dimensions					Fits Bush.	Wt. Lbs.**
					E*	F	K	L	M*		
76050060	5C60SF	6.40	6.00	A-1	3/16	5-3/8	7/8	2-1/16	3-1/8	SF	14.00
76050070	5C70SF	7.40	7.00	A-1	1-1/4	5-3/8	1-15/16	2-1/16	2-1/16	SF	19.00
76050075	5C75SF	7.90	7.50	A-1	1-1/4	5-3/8	1-15/16	2-1/16	2-1/16	SF	22.00
76050080	5C80E	8.40	8.00	A-1	1-1/2	5-3/8	2-3/8	2-3/4	1-1/4	E	28.00
76050085	5C85E	8.90	8.50	A-1	1-1/2	5-3/8	2-3/8	2-3/4	1-1/4	E	31.00
76050090	5C90E	9.40	9.00	A-1	1-1/2	5-3/8	2-3/8	2-3/4	1-1/4	E	32.00
76050095	5C95E	9.90	9.50	A-1	1-1/2	5-3/8	2-3/8	2-3/4	1-1/4	E	36.00
76050100	5C100E	10.40	10.00	A-2	1-1/2	5-3/8	2-3/8	2-3/4	1-1/4	E	38.00
76050105	5C105E	10.90	10.50	A-2	1-1/2	5-3/8	2-3/8	2-3/4	1-1/4	E	43.00
76050110	5C110E	11.40	11.00	A-1	1-1/2	5-3/8	2-3/8	2-3/4	1-1/4	E	50.00
76050120	5C120E	12.40	12.00	A-1	1-1/2	5-3/8	2-3/8	2-3/4	1-1/4	E	55.00
76050130	5C130E	13.40	13.00	A-3	1-1/2	5-3/8	2-3/8	2-3/4	1-1/4	E	58.00
76050140	5C140E	14.40	14.00	A-3	1-1/2	5-3/8	2-3/8	2-3/4	1-1/4	E	61.00
76050150	5C150E	15.40	15.00	A-3	1-1/2	5-3/8	2-3/8	2-3/4	1-1/4	E	69.00
76050160	5C160E	16.40	16.00	A-3	1-1/2	5-3/8	2-3/8	2-3/4	1-1/4	E	75.00
76050180	5C180E	18.40	18.00	A-3	1-1/2	5-3/8	2-3/8	2-3/4	1-1/4	E	85.00
76050200	5C200F	20.40	20.00	A-3	5/16	5-3/8	1-5/16	3-3/4	1-7/16	F	108.00
76050240	5C240F	24.40	24.00	A-3	5/16	5-3/8	1-5/16	3-3/4	1-7/16	F	124.00
76050270	5C270F	27.40	27.00	A-3	5/16	5-3/8	1-5/16	3-3/4	1-7/16	F	154.00
76050300	5C300F	30.40	30.00	A-3	5/16	5-3/8	1-5/16	3-3/4	1-7/16	F	174.00
76050360	5C360J	36.40	36.00	A-3	3/8	5-3/8	1-9/16	4-5/8	1/2	J	226.00
76050440	5C440J	44.40	44.00	A-3	3/8	5-3/8	1-9/16	4-5/8	1/2	J	289.00
76050500	5C500J	50.40	50.00	A-3	3/8	5-3/8	1-9/16	4-5/8	1/2	J	316.00

*E and M are reference dimensions only. ** Weights are for the sheave only, less the bushing.

[^] Numbers following the style letter indicate construction: 1-Solid, 2-Web, 3-Spoke.

CAUTION: Do not use with rim speeds in excess of 6500 feet per minute.

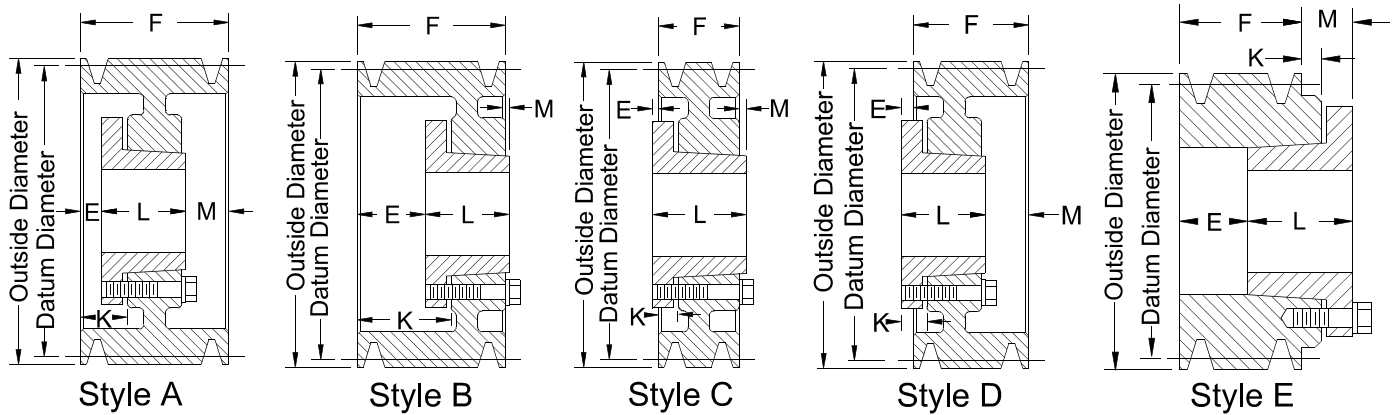
Sheaves & Bushings



OMAHA, NEBRASKA
 (402) 453-9595
 1-800-442-6009
 FAX (402) 453-1740

QD CONVENTIONAL SHEAVES

C Groove



6 GROOVE

Stock No.	Description	Outside Dia.	Datum Dia.	Style [^]	Dimensions					Fits Bush.	Wt. Lbs.**
					E*	F	K	L	M*		
76060060	6C60SF	6.40	6.00	A-1	3/16	6-3/8	7/8	2-1/16	4-1/8	SF	16.00
76060070	6C70SF	7.40	7.00	A-1	1-1/4	6-3/8	1-15/16	2-1/16	3-1/16	SF	22.00
76060075	6C75SF	7.90	7.50	A-1	1-1/4	6-3/8	1-15/16	2-1/16	3-1/16	SF	25.00
76060080	6C80E	8.40	8.00	A-1	1-1/2	6-3/8	2-3/8	2-3/4	2-1/4	E	31.00
76060085	6C85E	8.90	8.50	A-1	1-1/2	6-3/8	2-3/8	2-3/4	2-1/4	E	35.00
76060090	6C90F	9.40	9.00	A-1	1-7/16	6-3/8	2-7/16	3-3/4	1-5/16	F	40.00
76060095	6C95F	9.90	9.50	A-1	1-7/16	6-3/8	2-7/16	3-3/4	1-5/16	F	44.00
76060100	6C100F	10.40	10.00	A-1	1-7/16	6-3/8	2-7/16	3-3/4	1-5/16	F	50.00
76060105	6C105F	10.90	10.50	A-1	1-7/16	6-3/8	2-7/16	3-3/4	1-5/16	F	56.00
76060110	6C110F	11.40	11.00	A-1	1-7/16	6-3/8	2-7/16	3-3/4	1-5/16	F	60.00
76060120	6C120F	12.40	12.00	A-1	1-7/16	6-3/8	2-7/16	3-3/4	1-5/16	F	65.00
76060130	6C130F	13.40	13.00	A-3	1-7/16	6-3/8	2-7/16	3-3/4	1-5/16	F	67.00
76060140	6C140F	14.40	14.00	A-3	1-7/16	6-3/8	2-7/16	3-3/4	1-5/16	F	75.00
76060150	6C150F	15.40	15.00	A-3	1-7/16	6-3/8	2-7/16	3-3/4	1-5/16	F	91.00
76060160	6C160F	16.40	16.00	A-3	1-7/16	6-3/8	2-7/16	3-3/4	1-5/16	F	93.00
76060180	6C180F	18.40	18.00	A-3	1-7/16	6-3/8	2-7/16	3-3/4	1-5/16	F	106.00
76060200	6C200F	20.40	20.00	A-3	15/16	6-3/8	1-15/16	3-3/4	1-13/16	F	125.00
76060240	6C240F	24.40	24.00	A-3	15/16	6-3/8	1-15/16	3-3/4	1-13/16	F	162.00
76060270	6C270J	27.40	27.00	A-3	3/8	6-3/8	1-9/16	4-5/8	1-1/2	J	190.00
76060300	6C300J	30.40	30.00	A-3	3/8	6-3/8	1-9/16	4-5/8	1-1/2	J	229.00
76060360	6C360J	36.40	36.00	A-3	3/8	6-3/8	1-9/16	4-5/8	1-1/2	J	270.00
76060440	6C440J	44.40	44.00	A-3	3/8	6-3/8	1-9/16	4-5/8	1-1/2	J	301.00
76060500	6C500M	50.40	50.00	B-3	1/2	6-3/8	1-15/16	6-3/4	7/8	M	444.00

*E and M are reference dimensions only. **Weights are for the sheave only, less the bushing.

[^] Numbers following the style letter indicate construction: 1-Solid, 2-Web, 3-Spoke.

CAUTION: Do not use with rim speeds in excess of 6500 feet per minute.

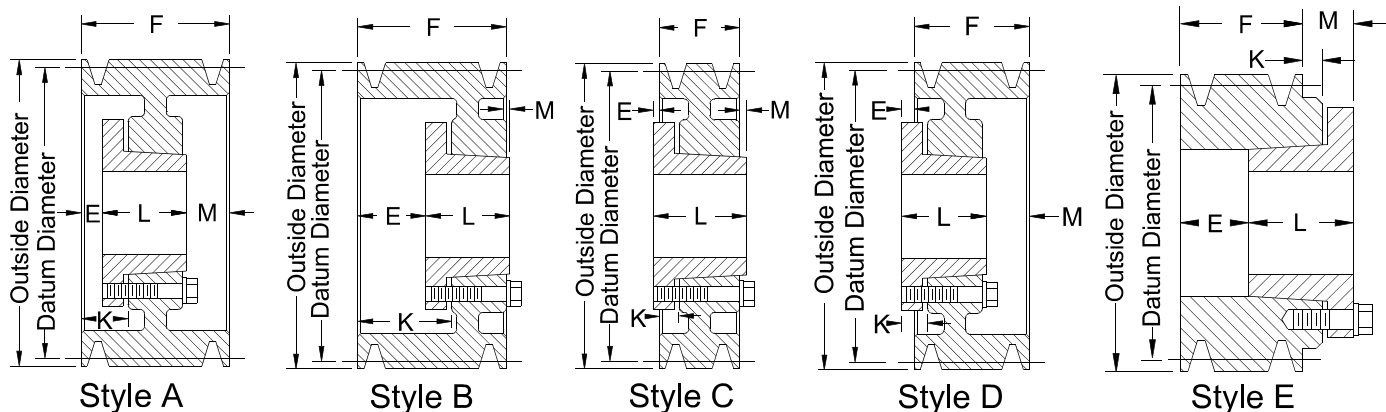
Sheaves & Bushings

QD CONVENTIONAL SHEAVES



OMAHA, NEBRASKA
(402) 453-9595
1-800-442-6009
FAX (402) 453-1740

C Groove



8 GROOVE

Stock No.	Description	Outside Dia.	Datum Dia.	Style [^]	Dimensions					Fits Bush.	Wt. Lbs.**
					E*	F	K	L	M*		
76080070	8C70SF	7.40	7.00	A-1	2-5/16	8-3/8	3	2-1/16	4	SF	35.00
76080080	8C80E	8.40	8.00	A-1	2-3/8	8-3/8	3-1/4	2-3/4	3-3/8	E	36.60
76080085	8C85E	8.90	8.50	A-1	2-3/8	8-3/8	3-1/4	2-3/4	3-3/8	E	41.00
76080090	8C90F	9.40	9.00	A-1	2-5/16	8-3/8	3-5/16	3-3/4	2-7/16	F	50.00
76080095	8C95F	9.90	9.50	A-1	2-5/16	8-3/8	3-5/16	3-3/4	2-7/16	F	51.00
76080100	8C100F	10.40	10.00	A-1	2-5/16	8-3/8	3-5/16	3-3/4	2-7/16	F	60.00
76080105	8C105F	10.90	10.50	A-1	2-5/16	8-3/8	3-5/16	3-3/4	2-7/16	F	67.00
76080110	8C110F	11.40	11.00	A-1	2-5/16	8-3/8	3-5/16	3-3/4	2-7/16	F	74.00
76080120	8C120F	12.40	12.00	A-1	2-5/16	8-3/8	3-5/16	3-3/4	2-7/16	F	87.00
76080130	8C130F	13.40	13.00	A-3	2-5/16	8-3/8	3-5/16	3-3/4	2-7/16	F	94.00
76080140	8C140F	14.40	14.00	A-3	2-5/16	8-3/8	3-5/16	3-3/4	2-7/16	F	99.00
76080150	8C150F	15.40	15.00	A-2	2-5/16	8-3/8	3-5/16	3-3/4	2-7/16	F	110.00
76080160	8C160F	16.40	16.00	A-3	2-5/16	8-3/8	3-5/16	3-3/4	2-7/16	F	112.00
76080180	8C180F	18.40	18.00	A-3	2-5/16	8-3/8	3-5/16	3-3/4	2-7/16	F	116.00
76080200	8C200J	20.40	20.00	A-3	3/8	8-3/8	1-9/16	4-5/8	3-1/2	J	146.00
76080240	8C240J	24.40	24.00	A-3	3/8	8-3/8	1-9/16	4-5/8	3-1/2	J	195.00
76080270	8C270J	27.40	27.00	A-3	3/8	8-3/8	1-9/16	4-5/8	3-1/2	J	216.00
76080300	8C300J	30.40	30.00	A-3	3/8	8-3/8	1-9/16	4-5/8	3-1/2	J	268.00
76080360	8C360M	36.40	36.00	A-3	1/2	8-3/8	1-15/16	6-3/4	1-1/8	M	338.00
76080440	8C440M	44.40	44.00	A-3	1/2	8-3/8	1-15/16	6-3/4	1-1/8	M	413.00
76080500	8C500M	50.40	50.00	A-3	1/2	8-3/8	1-15/16	6-3/4	1-1/8	M	474.00

*E and M are reference dimensions only. **Weights are for the sheave only, less the bushing.

[^] Numbers following the style letter indicate construction: 1-Solid, 2-Web, 3-Spoke.

CAUTION: Do not use with rim speeds in excess of 6500 feet per minute.

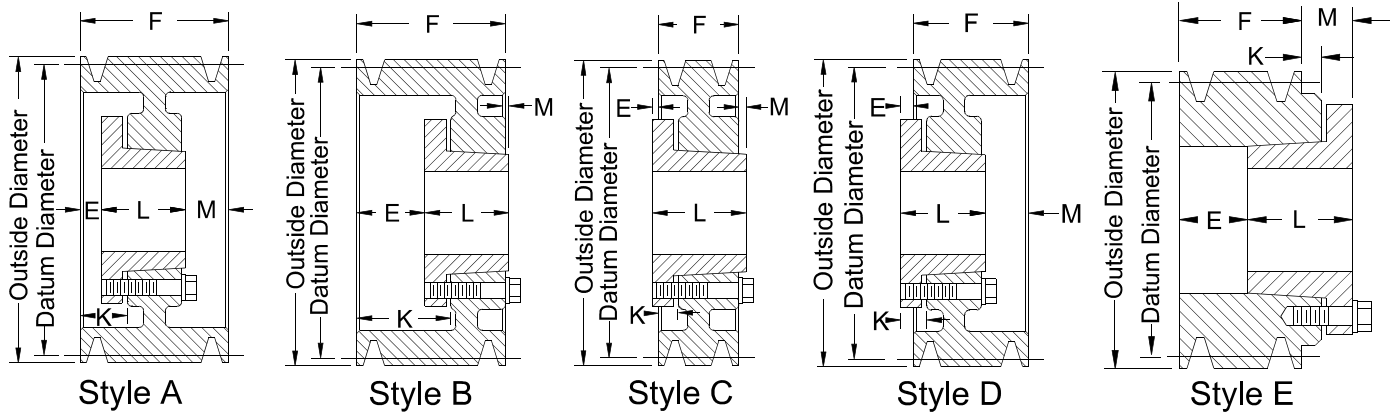
Sheaves & Bushings



OMAHA, NEBRASKA
(402) 453-9595
1-800-442-6009
FAX (402) 453-1740

QD CONVENTIONAL SHEAVES

C Groove



10 GROOVE

Stock No.	Description	Outside Dia.	Datum Dia.	Style [^]	Dimensions					Fits Bush.	Wt. Lbs.**
					E*	F	K	L	M*		
76100080	10C80E	8.40	8.00	A-1	2-3/8	10-3/8	3-1/4	2-3/4	5-3/8	E	42.80
76100085	10C85E	8.90	8.50	A-1	2-3/8	10-3/8	3-1/4	2-3/4	5-3/8	E	48.50
76100090	10C90J	9.40	9.00	A-1	2-3/8	10-3/8	3-9/16	4-5/8	3-1/2	J	54.00
76100095	10C95J	9.90	9.50	A-1	2-3/8	10-3/8	3-9/16	4-5/8	3-1/2	J	60.00
76100100	10C100J	10.40	10.00	A-1	2-3/8	10-3/8	3-9/16	4-5/8	3-1/2	J	75.00
76100105	10C105J	10.90	10.50	A-1	2-3/8	10-3/8	3-9/16	4-5/8	3-1/2	J	90.00
76100110	10C110J	11.40	11.00	A-1	2-3/8	10-3/8	3-9/16	4-5/8	3-1/2	J	106.00
76100120	10C120J	12.40	12.00	A-1	2-3/8	10-3/8	3-9/16	4-5/8	3-1/2	J	110.00
76100130	10C130J	13.40	13.00	A-2	2-3/8	10-3/8	3-9/16	4-5/8	3-1/2	J	124.00
76100140	10C140J	14.40	14.00	A-2	2-3/8	10-3/8	3-9/16	4-5/8	3-1/2	J	138.00
76100150	10C150J	15.40	15.00	A-2	2-3/8	10-3/8	3-9/16	4-5/8	3-1/2	J	138.00
76100160	10C160J	16.40	16.00	A-3	2-3/8	10-3/8	3-9/16	4-5/8	3-1/2	J	139.00
76100180	10C180J	18.40	18.00	A-3	2-3/8	10-3/8	3-9/16	4-5/8	3-1/2	J	168.00
76100200	10C200J	20.40	20.00	A-3	2-3/8	10-3/8	3-9/16	4-5/8	3-1/2	J	182.00
76100240	10C240M	24.40	24.00	A-3	1/2	10-3/8	1-15/16	6-3/4	3-1/8	M	272.00
76100300	10C300M	30.40	30.00	A-3	1/2	10-3/8	1-15/16	6-3/4	3-1/8	M	355.00
76100360	10C360M	36.40	36.00	A-3	1/2	10-3/8	1-15/16	6-3/4	3-1/8	M	455.00
76100440	10C440M	44.40	44.00	A-3	1/2	10-3/8	1-15/16	6-3/4	3-1/8	M	544.00
76100500	10C500M	50.40	50.00	A-3	1/2	10-3/8	1-15/16	6-3/4	3-1/8	M	622.00

*E and M are reference dimensions only. **Weights are for the sheave only, less the bushing.
[^] Numbers following the style letter indicate construction: 1-Solid, 2-Web, 3-Spoke.

CAUTION: Do not use with rim speeds in excess of 6500 feet per minute.

Sheaves & Bushings

QD CONVENTIONAL SHEAVES



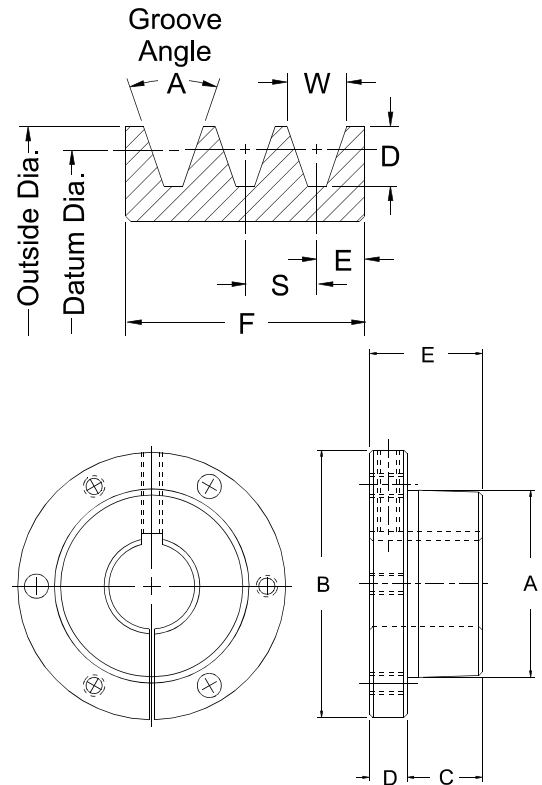
OMAHA, NEBRASKA
(402) 453-9595
1-800-442-6009
FAX (402) 453-1740

Dimensions

Groove Data

Groove/ Belt Size	Datum Dia.	Outside Dia.	A	Dimensions			
				W	D	S	E
3V	Under 3.45	Under 3.50	36	.350	.350	.406	.344
	3.45 to 5.95	3.50 to 6.00	38	.350	.350	.406	.344
	6.05 to 11.95	6.10 to 12.00	40	.350	.350	.406	.344
5V	Over 11.95	Over 12.00	42	.350	.350	.406	.344
	Under 9.90	Under 10.00	38	.600	.600	.688	.500
	9.90 to 15.90	10.00 to 16.00	40	.600	.600	.688	.500
8V	Over 15.90	Over 16.00	42	.600	.600	.688	.500
	Under 15.80	Under 16.00	38	1.000	1.000	1.125	.750
	15.80 to 22.20	16.00 to 22.40	40	1.000	1.000	1.125	.750
A-B	Over 22.20	Over 22.40	42	1.000	1.000	1.125	.750
	3.00 to 6.40	A Belt: .75*	34	.612	.625	.750	.500
C	Over 6.60	B Belt .35*	38	.625	.625	.750	.500
	5.40 to 7.99		34	.879	.780	1.000	.688
D	8.00 to 12.00	.40*	36	.887	.780	1.000	.688
	Over 12.00		38	.895	.780	1.000	.688
D	12.00 to 12.99		34	1.259	1.050	1.438	.875
	13.00 to 17.00	.60*	36	1.271	1.050	1.438	.875
	Over 17.00		38	1.283	1.050	1.438	.875

* Outside Diameter is nominal to Datum Diameter.



$$F = S(N-1) + 2E$$

F = Face Width of Sheave
S = Groove Spacing
N = Number of Grooves
E = End Spacing

Bushing Data

Bush. Size	Bushing Dimensions							Bore Dimensions			Weight Range	
	Dim. A	Dim. B	Dim. C	Dim. D	Dim. E	Bolt Circle	Cap Screws Required	Min. Bore	Std. KW	Shal. KW	Min. Bore	Max. Bore
JA	1.375	2	11/16	5/16	1	1-21/32	3 ea. 10-24 X 1	1/2	1	1-1/4	.20	.50
SH	1.871	2-11/16	7/8	7/16	1-5/16	2-1/4	3 ea. 1/4 x 1-3/8	1/2	1-3/8	1-11/16	.60	1.20
SDS	2.187	3-3/16	7/8	7/16	1-5/16	2-11/16	3 ea. 1/4 x 1-3/8	1/2	1-11/16	2	.80	1.70
SD	2.187	3-3/16	1-3/8	7/16	1-13/16	2-11/16	3 ea. 1/4 x 1-7/8	1/2	1-11/16	1-15/16	.90	2.20
SK	2.812	3-7/8	1-3/8	9/16	1-15/16	3-5/16	3 ea. 5/16 x 2	1/2	2-1/8	2-1/2	1.50	3.90
SF	3.125	4-5/8	1-7/16	5/8	2-1/16	3-7/8	3 ea. 3/8 x 2	1/2	2-5/16	2-13/16	2.20	5.40
E	3.834	6	1-7/8	7/8	2-3/4	5	3 ea. 1/2 x 2-3/4	7/8	2-7/8	3-1/2	5.60	11.70
F	4.437	6-5/8	2-13/16	1	3-3/4	5-5/8	3 ea. 9/16 x 3-5/8	1	3-5/16	3-15/16	8.50	19.40
J	5.145	7-1/4	3-5/8	1-1/8	4-5/8	6-1/4	3 ea. 5/8 x 4-1/2	1-7/16	3-3/4	4-1/2	12.80	28.60
M	6.496	9	5-5/8	1-1/4	6-3/4	7-7/8	4 ea. 3/4 x 6-3/4	1-15/16	4-3/4	5-1/2	29.50	63.40
N	6.992	10	6-3/4	1-1/2	8-1/8	8-1/2	4 ea. 7/8 x 8	2-7/16	5-1/8	6	46.00	95.00
P	8.242	11-3/4	7-3/4	1-3/4	9-3/8	10	4 ea. 1 x 9-1/2	2-15/16	5-15/16	7	88.00	178.00
W	10.429	15	9-1/2	2	11-3/8	12-3/4	4 ea. 1-1/8 x 11-1/2	4	7-1/2	8-1/2	155.00	262.00
S	12.125	17-3/4	12-11/16	2-3/4	15-1/4	15	5 ea. 1-1/4 x 15	6	8-1/4	10	285.00	410.00

HOW TO ORDER

When ordering any QD Sheave and Bushing use the stock number and/or description from pages 135-180. To assure correct size, specify the number of grooves, V-belt cross section size, outside diameter, datum diameter and recommended bushing size and bore.

EXAMPLE: Stock number 78100220, description 1 3V 220 JA, is a single groove, 3V belt, 2.20 outside diameter, 2.15 datum diameter sheave that accepts a JA bushing.

EXAMPLE: Stock number 77500056, description 5B56SK, is a 5 groove, A-B belt, 5.95 outside diameter, 5.60 datum diameter sheave that accepts a SK bushing.

CAUTION: Do not use with rim speeds in excess of 6500 feet per minute.



OMAHA, NEBRASKA
 (402) 453-9595
 1-800-442-6009
 FAX (402) 453-1740

QD CONVENTIONAL SHEAVES

QD Bushing Bores

Standard Stock Bores and Keyways

Bore Size	Standard Keyway	Shallow Keyway+
06 = 3/8	---	JA
07 = 7/16	---	JA
08 = 1/2	JA, SH, SDS, SD, SK SF	---
09 = 9/16	JA, SH, SDS, SD, SK SF	---
10 = 5/8	JA, SH, SDS, SD, SK SF	---
11 = 11/16	JA, SH, SDS, SD, SK SF	---
12 = 3/4	JA, SH, SDS, SD, SK SF	---
13 = 13/16	JA, SH, SDS, SD, SK SF	---
14 = 7/8	JA, SH, SDS, SD, SK SF, E	---
15 = 15/16	JA, SH, SDS, SD, SK SF, E	---
16 = 1	JA, SH, SDS, SD, SK SF, E, F	---
17 = 1-1/16	SH, SDS, SD, SK SF, E, F	JA
18 = 1-1/8	SH, SDS, SD, SK SF, E, F	JA
19 = 1-3/16	SH, SDS, SD, SK SF, E, F	JA
20 = 1-1/4	SH, SDS, SD, SK SF, E, F	JA
21 = 1-5/16	SH, SDS, SD, SK SF, E, F	---
22 = 1-3/8	SH, SDS, SD, SK SF, E, F	---
23 = 1-7/16	SDS, SD, SK SF, E, F, J	SH
24 = 1-1/2	SDS, SD, SK SF, E, F, J	SH
25 = 1-9/16	SDS, SD, SK SF, E, F, J	SH
26 = 1-5/8	SDS, SD, SK SF, E, F	SH
27 = 1-11/16	SDS, SD, SK SF, E, F, J	---
28 = 1-3/4	SK, SF, E, F, J	SDS, SD
29 = 1-13/16	SK, SF, E, F	SDS, SD
30 = 1-7/8	SK, SF, E, F, J	SDS, SD
31 = 1-15/16	SK, SF, E, F, J, M	SDS, SD
32 = 2	SK, SF, E, F, J, M	---
33 = 2-1/16	SK, SF, E, F	---
34 = 2-1/8	SK, SF, E, F, J	---
35 = 2-3/16	SF, E, F, J, M	SK
36 = 2-1/4	SF, E, F, J, M	SK
37 = 2-5/16	E, F, J	SK, SF
38 = 2-3/8	E, F, J, M	SK, SF
39 = 2-7/16	E, F, J, M	SK, SF
40 = 2-1/2	E, F, J, M	SK, SF
41 = 2-9/16	E, F	SF
42 = 2-5/8	E, F, J, M	SF
43 = 2-11/16	E, F, J, M	SF
44 = 2-3/4	E, F, J, M	SF
45 = 2-13/16	E, F	SF
46 = 2-7/8	E, F, J, M	SF
47 = 2-15/16	F, J, M, N, P	SF, E
48 = 3	F, J, M, N	E
49 = 3-1/16	F	E
50 = 3-1/8	F, J, M	E
51 = 3-3/16	F, J, M	E
52 = 3-1/4	F, J, M, N, P	E
53 = 3-5/16	J	E, F
54 = 3-3/8	J, M, N	E, F
55 = 3-7/16	J, M, N, P	E, F
56 = 3-1/2	J, M, N, P	E, F
58 = 3-5/8	J, M, N, P	F
59 = 3-11/16	J, M	F
60 = 3-3/4	J, M, N, P	F
61 = 3-13/16	J	---

Bore Size	Standard Keyway	Shallow Keyway+
62 = 3-7/8	M, N, P	F, J
63 = 3-15/16	M, N, P	F, J
64 = 4	M, N, P	J
66 = 4-1/8	M	J
67 = 4-3/16	M, N	J
68 = 4-1/4	M, N, P	J
70 = 4-3/8	M, N, P	J
71 = 4-7/16	M, N, P	J
72 = 4-1/2	M, N, P	J
74 = 4-5/8	N, P	---
75 = 4-11/16	M, P	---
76 = 4-3/4	M, N, P	---
78 = 4-7/8	N, P	M
79 = 4-15/16	N, P	M
80 = 5	N, P	M
83 = 5-3/16	P	M, N
84 = 5-1/4	P	M
85 = 5-5/16	P	---
86 = 5-3/8	P	---
87 = 5-7/16	P	M, N
88 = 5-1/2	P	M, N
92 = 5-3/4	P	---
94 = 5-7/8	---	N, P
95 = 5-15/16	---	N, P
96 = 6	---	P
97 = 6-1/16	---	P
100 = 6-1/4	---	P
103 = 6-7/16	---	P
104 = 6-1/2	---	P
108 = 6-3/4	---	P
112 = 7	---	P

† Rectangular key is furnished to fit standard depth Keyway in shaft and shallow depth in Keyway in bushings.

Bore Size	No Keyway	Plain Bore (MPB)
07 = 7/16	SH, SDS, SD, SK	✓
08 = 1/2	JA, SF	✓
14 = 7/8	E	✓
16 = 1	F	✓
23 = 1-7/16	J	✓
27 = 1-11/16	SH	
32 = 2	SDS, SD	
41 = 2-9/16	SK	
42 = 2-5/8	SK	
64 = 4	F	
68 = 4-1/4	W	✓
78 = 4-7/8	W	✓
84 = 5-1/4	W	✓
104 = 6-1/2	W	✓
116 = 7-1/4	W	✓
96 = 6	S	✓
128 = 8	S	✓
137 = 9	S	✓

Metric Stock Bores and Keyways

Bore Size	Keyway Size	Bushing Sizes
24 = 24	8 x 7	SH, SDS, SD, SK
25 = 25	8 x 7	SH, SDS, SD, SK
28 = 28	8 x 7	SH, SDS, SD, SK, SF
30 = 30	8 x 7	SH, SDS, SD, SK, SF
32 = 32	10 x 8	SH, SDS, SD, SK, SF
35 = 35	10 x 8	SH, SDS, SD, SK, SF, E
38 = 38	10 x 8	SDS, SD, SK, SF, E
40 = 40	12 x 8	SDS, SD, SK, SF, E
42 = 42	12 x 8	SDS, SD, SK, SF, E
45 = 45	14 x 9	SK, SF, E, F
48 = 48	14 x 9	SK, SF, E, F
50 = 50	14 x 9	SK, SF, E, F, J
55 = 55	16 x 10	SK, SF, E, F, J
60 = 60	18 x 11	SF, E, F, J
65 = 65	18 x 11	E, F, J
65 = 65	18 x 8†	SF
70 = 70	20 x 12	E, F, J
75 = 75	20 x 12	E, F, J
80 = 80	22 x 11†	E
80 = 80	22 x 14	F, J, M
85 = 85	22 x 14	F, J
90 = 90	25 x 14	F, J, M
95 = 95	25 x 14	J
100 = 100	28 x 16	J, M, N
120 = 120	32 X 18	M, N
150 = 150	36 X 20	P

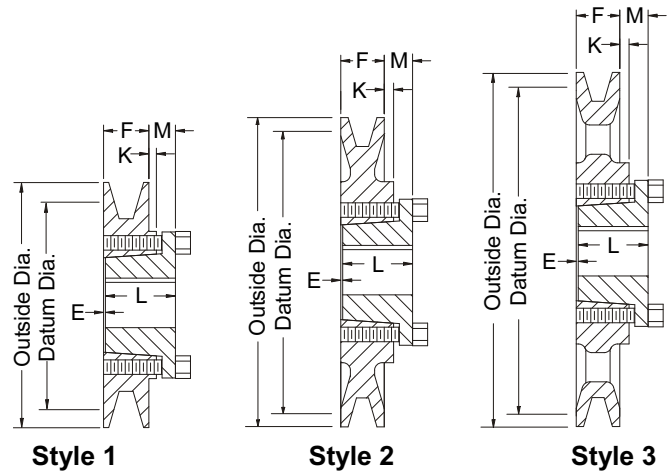
Sheaves & Bushings

LIGHT DUTY SHEAVES

O-A Combination Groove For H* Bushings



OMAHA, NEBRASKA
(402) 453-9595
1-800-442-6009
FAX (402) 453-1740



Style 1 Style 2 Style 3

s = solid cast iron lh = lighting hole sp = spoked cast iron

1 GROOVE

Stock No.	G&G Desc.	Outside Dia.	Datum Diameter		Style	Dimensions - Inches				Fits Bush.	Wt. Lbs.**
			A-Belt	O-Belt		E**	F	L	M**		
71263400	AK34H	3.45	3.20	2.86	2 _s	1/16	3/4	1-1/4	9/16	H	1.20
71264100	AK41H	3.95	3.70	3.36	2 _s	1/16	3/4	1-1/4	9/16	H	1.80
71264400	AK44H	4.25	4.00	3.66	2 _s	1/16	3/4	1-1/4	9/16	H	2.00
71264600	AK46H	4.45	4.20	3.86	2 _s	1/16	3/4	1-1/4	9/16	H	2.30
71264900	AK49H	4.75	4.50	4.16	2 _s	1/16	3/4	1-1/4	9/16	H	2.60
71265100	AK51H	4.95	4.70	4.36	2 _s	1/16	3/4	1-1/4	9/16	H	2.70
71265400	AK54H	5.25	5.00	4.66	2 _s	1/16	3/4	1-1/4	9/16	H	2.60
71265600	AK56H	5.45	5.20	4.86	2 _s	1/16	3/4	1-1/4	9/16	H	2.80
71265900	AK59H	5.75	5.50	5.16	2 _s	1/16	3/4	1-1/4	9/16	H	3.00
71266100	AK61H	5.95	5.70	5.36	3 _s	1/16	3/4	1-1/4	9/16	H	3.10
71266400	AK64H	6.25	6.00	5.66	3 _s	1/16	3/4	1-1/4	9/16	H	3.30
71266600	AK66H	6.45	6.20	5.86	3 _s	1/16	3/4	1-1/4	9/16	H	3.60
71267100	AK71H	6.95	6.70	6.36	3 _{lh}	1/16	3/4	1-1/4	9/16	H	3.50
71267400	AK74H	7.25	7.00	6.66	3 _{lh}	1/16	3/4	1-1/4	9/16	H	3.80
71267900	AK79H	7.75	7.50	7.16	3 _{lh}	1/16	3/4	1-1/4	9/16	H	4.20
71268400	AK84H	8.25	8.00	7.66	3 _{lh}	1/16	3/4	1-1/4	9/16	H	4.60
71268900	AK89H	8.75	8.50	8.16	3 _{lh}	1/16	3/4	1-1/4	9/16	H	4.80
71269040	AK94H	9.25	9.00	8.66	3 _{lh}	1/16	3/4	1-1/4	9/16	H	5.60
71269100	AK99H	9.75	9.50	9.16	3 _{lh}	1/16	3/4	1-1/4	9/16	H	5.90
71269104	AK104H	10.25	10.00	9.66	3 _{sp}	1/16	3/4	1-1/4	9/16	H	6.80
71269110	AK109H	10.75	10.50	10.16	3 _{sp}	1/16	3/4	1-1/4	9/16	H	7.10
71269114	AK114H	11.25	11.00	10.66	3 _{sp}	1/16	3/4	1-1/4	9/16	H	7.50
71269124	AK124H	12.25	12.00	11.66	3 _{sp}	1/16	3/4	1-1/4	9/16	H	8.00
71269134	AK134H	13.25	13.00	12.66	3 _{sp}	1/16	3/4	1-1/4	7/16	H	10.70
71269144	AK144H	14.25	14.00	13.66	3 _{sp}	1/16	3/4	1-1/4	7/16	H	11.10
71269154	AK154H	15.25	15.00	14.66	3 _{sp}	1/16	3/4	1-1/4	7/16	H	12.50
71269183	AK184H	18.25	18.00	17.66	3 _{sp}	1/16	3/4	1-1/4	7/16	H	17.30

Sheaves & Bushings

* H Bushings are interchangeable with D & Q & QT Bushings.
 ** E and M are reference dimensions only.
 *** Weights are for the sheave only, less the bushing. See page 169 for H Bushing information.

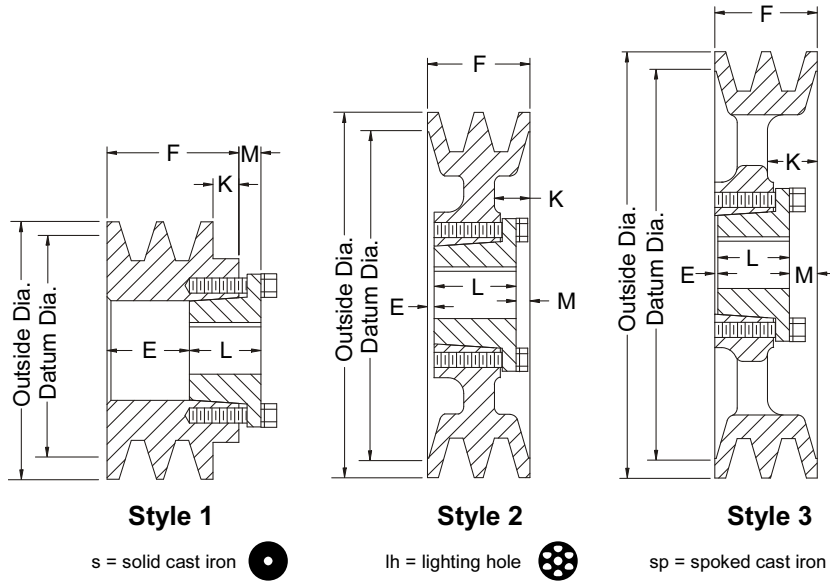
CAUTION: Do not use with rim speeds in excess of 6500 feet per minute.



OMAHA, NEBRASKA
 (402) 453-9595
 1-800-442-6009
 FAX (402) 453-1740

LIGHT DUTY SHEAVES

O-A Combination Groove For H* Bushings



2 GROOVE

Stock No.	G&G Desc.	Outside Dia.	Datum Diameters		Style	Dimensions				Fits Bush.	Wt. Lbs.***
			A-Belt	O-Belt		E**	F	L	M**		
73263000	2AK30H	3.05	2.80	2.46	1 _s	1	1-3/8	1-1/4	7/8	H	1.70
73263200	2AK32H	3.25	3.00	2.66	1 _s	1	1-3/8	1-1/4	7/8	H	1.80
73263400	2AK34H	3.45	3.20	2.86	1 _s	9/16	1-3/8	1-1/4	7/16	H	1.70
73263900	2AK39H	3.75	3.50	3.16	1 _s	9/16	1-3/8	1-1/4	7/16	H	2.10
73264100	2AK41H	3.95	3.70	3.36	2 _s	1/16	1-3/8	1-1/4	1/16	H	2.40
73264400	2AK44H	4.25	4.00	3.66	2 _s	1/16	1-3/8	1-1/4	1/16	H	2.90
73264600	2AK46H	4.45	4.20	3.86	2 _s	1/16	1-3/8	1-1/4	1/16	H	3.20
73264900	2AK49H	4.75	4.50	4.16	2 _s	1/16	1-3/8	1-1/4	1/16	H	3.70
73265100	2AK51H	4.95	4.70	4.36	2 _s	1/16	1-3/8	1-1/4	1/16	H	3.20
73265400	2AK54H	5.25	5.00	4.66	2 _s	1/16	1-3/8	1-1/4	1/16	H	3.50
73265600	2AK56H	5.45	5.20	4.86	2 _s	1/16	1-3/8	1-1/4	1/16	H	3.80
73265900	2AK59H	5.75	5.50	5.16	3 _s	1/16	1-3/8	1-1/4	1/16	H	4.10
73266100	2AK61H	5.95	5.70	5.36	3 _s	1/16	1-3/8	1-1/4	1/16	H	4.30
73266400	2AK64H	6.25	6.00	5.66	3 _s	1/16	1-3/8	1-1/4	1/16	H	4.60
73267400	2AK74H	7.25	7.00	6.66	3 _{lh}	1/16	1-3/8	1-1/4	1/16	H	5.10
73268400	2AK84H	8.25	8.00	7.66	3 _{lh}	1/16	1-3/8	1-1/4	1/16	H	6.10
73269040	2AK94H	9.25	9.00	8.66	3 _{lh}	1/16	1-3/8	1-1/4	1/16	H	7.40
73269104	2AK104H	10.25	10.00	9.66	3 _{sp}	1/16	1-3/8	1-1/4	1/16	H	9.20
73269124	2AK124H	12.25	12.00	11.66	3 _{sp}	1/16	1-3/8	1-1/4	1/16	H	10.90
73269144	2AK144H	14.25	14.00	13.66	3 _{sp}	1/16	1-3/8	1-1/4	1/16	H	14.60
73269154	2AK154H	15.25	15.00	14.66	3 _{sp}	1/16	1-3/8	1-1/4	1/16	H	16.20
73269184	2AK184H	18.25	18.00	17.66	3 _{sp}	1/16	1-3/8	1-1/4	1/8	H	21.60

* H Bushings are interchangeable with D & Q & QT Bushings.

** E and M are reference dimensions only.

*** Weights are for the sheave only, less the bushing. See page 173 for H Bushing information.

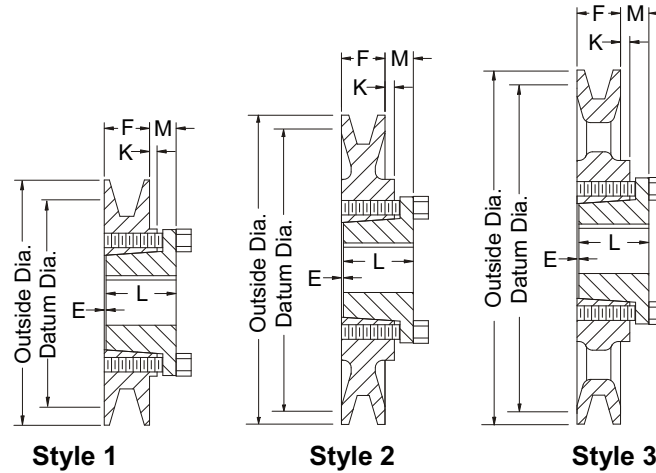
CAUTION: Do not use with rim speeds in excess of 6500 feet per minute.

LIGHT DUTY SHEAVES



OMAHA, NEBRASKA
(402) 453-9595
1-800-442-6009
FAX (402) 453-1740

A-B Combination Groove For H* Bushings



s = solid cast iron lh = lighting hole sp = spoked cast iron

1 GROOVE

Stock No.	G&G Desc.	Outside Dia.	Datum Diameters		Style	Dimensions - Inches				Fits Bush.	Wt. Lbs.***
			B-Belt	A-Belt		E**	F	L	M**		
71273000	BK30H	3.15	2.80	2.40	1 _s	1/2	7/8	1-1/4	7/8	H	1.40
71273200	BK32H	3.35	3.00	2.60	1 _s	1/2	7/8	1-1/4	7/8	H	1.60
71273400	BK34H	3.55	3.20	2.80	1 _s	1/2	7/8	1-1/4	7/8	H	1.80
71273600	BK36H	3.75	3.40	3.00	1 _s	1/16	7/8	1-1/4	7/16	H	1.50
71274000	BK40H	3.95	3.60	3.20	1 _s	1/16	7/8	1-1/4	7/16	H	1.70
71274500	BK45H	4.25	3.90	3.50	2 _s	1/16	7/8	1-1/4	7/16	H	2.10
71274700	BK47H	4.45	4.10	3.70	2 _s	1/16	7/8	1-1/4	7/16	H	2.30
71275000	BK50H	4.75	4.40	4.00	2 _s	1/16	7/8	1-1/4	7/16	H	2.70
71275200	BK52H	4.95	4.60	4.20	2 _s	1/16	7/8	1-1/4	7/16	H	3.00
71275500	BK55H	5.25	4.90	4.50	2 _s	1/16	7/8	1-1/4	7/16	H	3.50
71275700	BK57H	5.45	5.10	4.70	2 _s	1/16	7/8	1-1/4	7/16	H	3.60
71276000	BK60H	5.75	5.40	5.00	2 _s	1/16	7/8	1-1/4	7/16	H	3.50
71276200	BK62H	5.95	5.60	5.20	2 _s	1/16	7/8	1-1/4	7/16	H	3.70
71276500	BK65H	6.25	5.90	5.50	2 _s	1/16	7/8	1-1/4	7/16	H	4.00
71276700	BK67H	6.45	6.10	5.70	2 _s	1/16	7/8	1-1/4	7/16	H	4.00
71277000	BK70H	6.75	6.40	6.00	3 _s	1/8	7/8	1-1/4	1/2	H	4.70
71278000	BK80H	7.75	7.40	7.00	3 _{lh}	1/8	7/8	1-1/4	1/2	H	5.30
71279000	BK90H	8.75	8.40	8.00	3 _{lh}	1/8	7/8	1-1/4	1/2	H	6.00
71279100	BK100H	9.75	9.40	9.00	3 _{lh}	1/8	7/8	1-1/4	1/2	H	7.10
71279110	BK110H	10.75	10.40	10.00	3 _{sp}	1/8	7/8	1-1/4	1/2	H	8.60
71279120	BK120H	11.75	11.40	11.00	3 _{sp}	1/8	7/8	1-1/4	1/2	H	9.20
71279130	BK130H	12.75	12.40	12.00	3 _{sp}	1/8	7/8	1-1/4	1/2	H	10.60
71279140	BK140H	13.75	13.40	13.00	3 _{sp}	1/8	7/8	1-1/4	1/2	H	12.90
71279150	BK150H	14.75	14.40	14.00	3 _{sp}	1/8	7/8	1-1/4	1/2	H	14.40
71279160	BK160H	15.75	15.40	15.00	3 _{sp}	1/8	7/8	1-1/4	1/2	H	15.50
71279188	BK190H	18.75	18.40	18.00	3 _{sp}	1/8	7/8	1-1/4	1/2	H	21.10

* H Bushings are interchangeable with D & Q & QT Bushings.

** E and M are reference dimensions only.

*** Weights are for the sheave only, less the bushing. See page 173 for H Bushing information.

CAUTION: Do not use with rim speeds in excess of 6500 feet per minute.

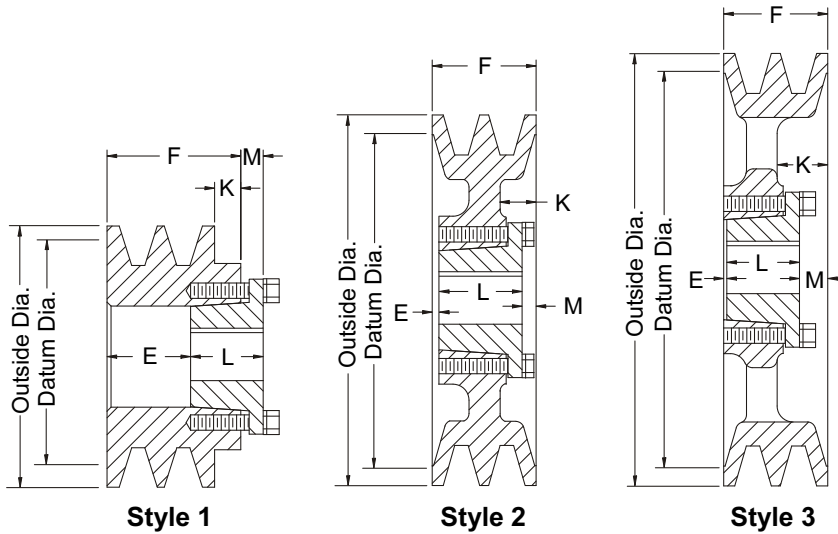
Sheaves & Bushings




OMAHA, NEBRASKA
 (402) 453-9595
 1-800-442-6009
 FAX (402) 453-1740


LIGHT DUTY SHEAVES

A-B Combination Groove For H* Bushings



s = solid cast iron 

lh = lighting hole 

sp = spoked cast iron 

2 GROOVE

Stock No.	G&G Descrip.	Outside Dia.	Datum Diameters		Style	Dimensions				Fits Bush.	Wt. Lbs.***
			B-Belt	A-Belt		E**	F	L	M**		
73273200	2BK32H	3.35	3.00	2.60	1 _s	1-3/8	1-3/4	1-1/4	7/8	H	2.50
73273400	2BK34H	3.55	3.20	2.80	1 _s	1-3/8	1-3/4	1-1/4	7/8	H	2.80
73273600	2BK36H	3.75	3.40	3.00	1 _s	15/16	1-3/4	1-1/4	7/16	H	2.60
73274000	2BK40H	3.95	3.60	3.20	1 _s	15/16	1-3/4	1-1/4	7/16	H	3.00
73274500	2BK45H	4.25	3.90	3.50	1 _s	15/16	1-3/4	1-1/4	7/16	H	3.40
73274700	2BK47H	4.45	4.10	3.70	2 _s	1/16	1-3/4	1-1/4	7/16	H	3.80
73275000	2BK50H	4.75	4.40	4.00	2 _s	1/16	1-3/4	1-1/4	7/16	H	4.40
73275200	2BK52H	4.95	4.60	4.20	2 _s	1/16	1-3/4	1-1/4	7/16	H	4.80
73275500	2BK55H	5.25	4.90	4.50	2 _s	1/16	1-3/4	1-1/4	7/16	H	5.40
73275700	2BK57H	5.45	5.10	4.70	2 _s	1/16	1-3/4	1-1/4	7/16	H	5.30
73276000	2BK60H	5.75	5.40	5.00	2 _s	1/16	1-3/4	1-1/4	7/16	H	5.60
73276200	2BK62H	5.95	5.60	5.20	2 _s	1/16	1-3/4	1-1/4	7/16	H	5.80
73276500	2BK65H	6.25	5.90	5.50	3 _s	1/16	1-3/4	1-1/4	7/16	H	6.40
73276700	2BK67H	6.45	6.10	5.70	3 _s	1/16	1-3/4	1-1/4	7/16	H	6.70
73277000	2BK70H	6.75	6.40	6.00	3 _s	1/16	1-3/4	1-1/4	7/16	H	7.20
73278000	2BK80H	7.75	7.40	7.00	3 _{lh}	1/16	1-3/4	1-1/4	7/16	H	8.30
73279000	2BK90H	8.75	8.40	8.00	3 _{lh}	1/16	1-3/4	1-1/4	7/16	H	9.80
73279100	2BK100H	9.75	9.40	9.00	3 _{lh}	1/16	1-3/4	1-1/4	7/16	H	11.50
73279110	2BK110H	10.75	10.40	10.00	3 _{sp}	1/16	1-3/4	1-1/4	7/16	H	13.60
73279120	2BK120H	11.75	11.40	11.00	3 _{sp}	1/16	1-3/4	1-1/4	7/16	H	15.00
73279130	2BK130H	12.75	12.40	12.00	3 _{sp}	1/16	1-3/4	1-1/4	7/16	H	16.70
73279140	2BK140H	13.75	13.40	13.00	3 _{sp}	1/16	1-3/4	1-1/4	7/16	H	19.80
73279160	2BK160H	15.75	15.40	15.00	3 _{sp}	1/16	1-3/4	1-1/4	7/16	H	24.50
73279190	2BK190H	18.75	18.40	18.00	3 _{sp}	1/16	1-3/4	1-1/4	7/16	H	26.00

* H Bushings are interchangeable with D & Q & QT Bushings.

** E and M are reference dimensions only.

*** Weights are for the sheave only, less the bushing. See page 173 for H Bushing information.

CAUTION: Do not use with rim speeds in excess of 6500 feet per minute.

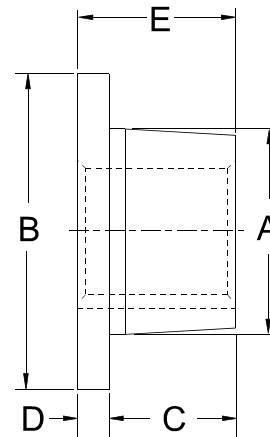
LIGHT DUTY SHEAVES



OMAHA, NEBRASKA
(402) 453-9595
1-800-442-6009
FAX (402) 453-1740

H* Bushings for O-A and A-B Combination Grooves

- ◆ Sheaves and Bushings are zinc phosphate for rust resistance.
- ◆ All steel, tapered bushing creates wedging action for full grip on the shaft.
- ◆ Fully split for extra holding power.
- ◆ Two machined screws for quick mounting and dismounting.
- ◆ Two mounting holes for fast assembly.
- ◆ Two taped holes for easy removal.



Bushing Dimensions						
Dim. A	Dim. B	Dim. C	Dim. D	Dim. E	Bolt Circle	Cap Screws Required
1.625	2-1/2	1	1/4	1-1/4	2	2 ea. 1/4 x 3/4

Standard Bore Sizes

USA Stock No.	NOVA Import Stock No.	Bore Size	Keyway Size	Wt. Lbs.
75040006++		3/8	None	1.06
75040007	750400075	7/16	None	1.04
75040008	750400085	1/2	None	1.02
75040009	750400095	9/16	None	1.00
75040010	750400105	5/8	3/16 x 3/32	.98
75040011	750400115	11/16	3/16 x 3/32	.96
75040012	750400125	3/4	3/16 x 3/32	.94
75040013	750400135	13/16	3/16 x 3/32	.92
75040014	750400145	7/8	3/16 x 3/32	.90
75040015	750400155	15/16	1/4 x 1/8	.88
75040016	750400165	1	1/4 x 1/8	.86
75040017	750400175	1-1/16	1/4 x 1/8	.84
75040018	750400185	1-1/8	1/4 x 1/8	.82
75040019	750400195	1-3/16	1/4 x 1/8	.80
75040020	750400205	1-1/4	1/4 x 1/8	.78
75040021		1-5/16	5/16 x 5/32	.76
75040022	750400225	1-3/8	5/16 x 5/32	.74
75040023	750400235	1-7/16	3/8 x 3/16	.72
75040024		1-1/2	3/8 x 3/16	.70

Metric Bore Sizes

USA Stock No.	Bore Size	Keyway Size	Wt. Lbs.
7504M014	14mm	5mm x 5mm	1.00
7504M016	16mm	5mm x 5mm	.98
7504M018	18mm	6mm x 6mm	.96
7504M019	19mm	6mm x 6mm	.94
7504M020	20mm	6mm x 6mm	.92
7504M022	22mm	6mm x 6mm	.90
7504M024	24mm	8mm x 7mm	.88
7504M025	25mm	8mm x 7mm	.86
7504M028	28mm	8mm x 7mm	.84
7504M030	30mm	8mm x 7mm	.82
7504M032	32mm	10mm x 8mm	.80
7504M035	35mm	10mm x 8mm	.78
7504M038	38mm	10mm x 8mm	.76

* H Bushings are interchangeable with D, Q & QT Bushings.

** Furnished with special keys to fit standard depth keyseats.

++ These sizes will not be available once current G&G Manufacturing Company inventories have been sold.

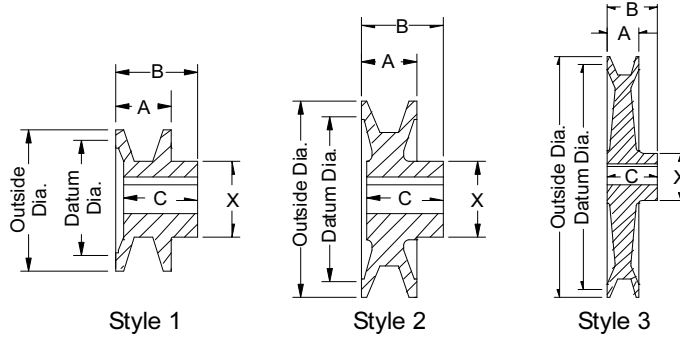
CAUTION: Do not use with rim speeds in excess of 6500 feet per minute.



OMAHA, NEBRASKA
(402) 453-9595
1-800-442-6009
FAX (402) 453-1740

LIGHT DUTY SHEAVES

O-A Combination Groove Bored to Size



1 GROOVE

s = solid cast iron lh = lighting hole sp = spoked cast iron

Stock No.	G&G Desc.	Outside Dia.	Datum Diameters		Stock Bore Sizes with Standard Keyway										Dimensions			Sty.	Wt. Lbs.		
			A-Belt	O-Belt	1/2	5/8	3/4	7/8	1	1 1/8	1 3/16	1 1/4	1 3/8	1 7/16	A	B	C				
701018**	AK17	1.75	1.50	1.16	X ₁ *	X ₁	X ₁										21/32	1-3/32	15/16	1 _s	.40
701020**	AK20	2.00	1.80	1.46	X ₁ *	X ₁	X ₁	X ₁									21/32	1-3/32	15/16	1 _s	.53
701021**	AK21	2.10	1.90	1.56	X ₁ *	X ₁	X ₁	X ₁									21/32	1-3/32	15/16	1 _s	.57
701022**	AK22	2.20	2.00	1.66	X ₁ *	X ₁	X ₁	X ₁									21/32	1-3/32	15/16	1 _s	.60
701023**	AK23	2.30	2.10	1.76	X ₁ *	X ₁	X ₁	X ₁									21/32	1-3/32	15/16	1 _s	.63
701025**	AK25	2.50	2.30	1.96	X ₁ *	X ₁	X ₁	X ₁									21/32	1-3/32	15/16	2 _s	.73
701026**	AK26	2.60	2.40	2.06	X ₁ *	X ₁	X ₁	X ₁									21/32	1-3/32	15/16	2 _s	.75
701027**	AK27	2.70	2.50	2.16	X ₁ *	X ₁	X ₁										21/32	1-3/32	15/16	2 _s	.83
701028**	AK28	2.80	2.60	2.26	X ₁ *	X ₁	X ₁	X ₁	X ₂								21/32	1-3/32	15/16	2 _s	.84
701031**	AK30	3.05	2.80	2.46	X ₁ *	X ₁	X ₁	X ₁	X ₂								21/32	1-3/32	15/16	2 _s	.98
701033**	AK32	3.25	3.00	2.66	X ₁ *	X ₁	X ₁	X ₁	X ₂								21/32	1-3/32	15/16	2 _s	1.1
701035**	AK34	3.45	3.20	2.86	X ₁ *	X ₁	X ₁	X ₁	X ₂								21/32	1-3/32	15/16	2 _s	1.2
701038**	AK39	3.75	3.50	3.16	X ₃ *	X ₁	X ₁	X ₁	X ₂	X ₃						3/4	1-7/32	1-5/32	2 _s	1.5	
701040**	AK41	3.95	3.70	3.36	X ₃ *	X ₁	X ₁	X ₁	X ₂	X ₃						3/4	1-7/32	1-5/32	2 _s	1.8	
701043**	AK44	4.25	4.00	3.66	X ₃ *	X ₁	X ₁	X ₁	X ₂	X ₃						3/4	1-7/32	1-5/32	3 _s	1.9	
701045**	AK46	4.45	4.20	3.86	X ₃ *	X ₁	X ₁	X ₁	X ₂	X ₃						3/4	1-7/32	1-5/32	3 _s	2.0	
701048**	AK49	4.75	4.50	4.16	X ₄ *	X ₁	X ₁	X ₁	X ₂	X ₄						3/4	1-7/32	1-5/32	3 _s	2.2	
701050**	AK51	4.95	4.70	4.36	X ₄ *	X ₁	X ₁	X ₁	X ₂	X ₄						3/4	1-7/32	1-5/32	3 _s	2.4	
701053**	AK54	5.25	5.00	4.66	X ₄ *	X ₁	X ₁	X ₁	X ₂	X ₄	X ₄					3/4	1-7/32	1-5/32	3 _s	2.6	
701055**	AK56	5.45	5.20	4.86	X ₄ *	X ₁	X ₁	X ₁	X ₂	X ₄	X ₄					3/4	1-7/32	1-5/32	3 _s	2.7	
701058**	AK59	5.75	5.50	5.16	X ₄ *	X ₁	X ₁	X ₁	X ₂	X ₄	X ₄					3/4	1-7/32	1-5/32	3 _s	2.9	
701060**	AK61	5.95	5.70	5.36	X ₄ *	X ₁	X ₁	X ₁	X ₂	X ₄	X ₄					3/4	1-7/32	1-5/32	3 _s	3.2	
701063**	AK64	6.25	6.00	5.66	X ₄ *	X ₁	X ₁	X ₁	X ₂	X ₄	X ₄					3/4	1-7/32	1-5/32	3 _{ih}	3.0	
701065**	AK66	6.45	6.20	5.86		X ₁	X ₁	X ₁	X ₂	X ₄						3/4	1-7/32	1-5/32	3 _{ih}	3.1	
701070**	AK71	6.95	6.70	6.36		X ₁	X ₁	X ₁	X ₂	X ₅				X ₆		3/4	1-15/32	1-15/32	3 _{ih}	3.8	
701073**	AK74	7.25	7.00	6.66	X ₆ *	X ₁	X ₁		X ₂	X ₅	X ₅	X ₅		X ₆		3/4	1-15/32	1-15/32	3 _{ih}	4.2	
701080**	AK79	7.75	7.50	7.16			X ₁		X ₂	X ₅						3/4	1-15/32	1-15/32	3 _{ih}	4.5	
701083**	AK84	8.25	8.00	7.66	X ₆ *	X ₁	X ₁		X ₂		X ₅			X ₆		3/4	1-15/32	1-15/32	3 _{ih}	5.0	
701093**	AK94	9.25	9.00	8.66	X ₆ *	X ₁	X ₁		X ₂		X ₅	X ₅		X ₆		3/4	1-15/32	1-15/32	3 _{ih}	5.9	
701100**	AK99	9.75	9.50	9.16			X ₁		X ₂		X ₅			X ₆		3/4	1-15/32	1-15/32	3 _{sp}	6.1	
701103**	AK104	10.25	10.00	9.66		X ₁	X ₁		X ₂		X ₅	X ₅	X ₆	X ₆		3/4	1-15/32	1-15/32	3 _{sp}	6.9	
701110**	AK109	10.75	10.50	10.16			X ₁		X ₂		X ₅		X ₆	X ₆		3/4	1-15/32	1-15/32	3 _{sp}	7.3	
701113**	AK114	11.25	11.00	10.66			X ₁		X ₂		X ₅			X		3/4	1-15/32	1-15/32	3 _{sp}	7.4	
701123**	AK124	12.25	12.00	11.66				X ₁	X ₂							3/4	1-15/32	1-15/32	3 _{sp}	8.3	
701133**	AK134	13.25	13.00	12.66				X ₁	X ₂		X ₅					3/4	1-15/32	1-15/32	3 _{sp}	9.3	
701143**	AK144	14.25	14.00	13.66				X ₁	X ₂		X ₅				X ₆	3/4	1-15/32	1-15/32	3 _{sp}	10.8	
701153**	AK154	15.25	15.00	14.66				X ₁	X ₂		X ₅				X ₆	3/4	1-15/32	1-15/32	3 _{sp}	12.6	
701183**	AK184	18.25	18.00	17.66				X ₁	X ₂		X ₅				X ₆	3/4	1-15/32	1-15/32	3 _{sp}	17.1	

HUB DIA.	X ₁	X ₂	X ₃	X ₄	X ₅	X ₆
	1.6	1.7	1.9	2.0	2.2	2.5

** Specify appropriate 2 digit bore size from Bore Size Chart on page 175. * Supplied with no keyway. Other bore sizes and styles are available by quotation.

SEND YOUR INQUIRIES

CAUTION: Do not use with rim speeds in excess of 6500 feet per minute.

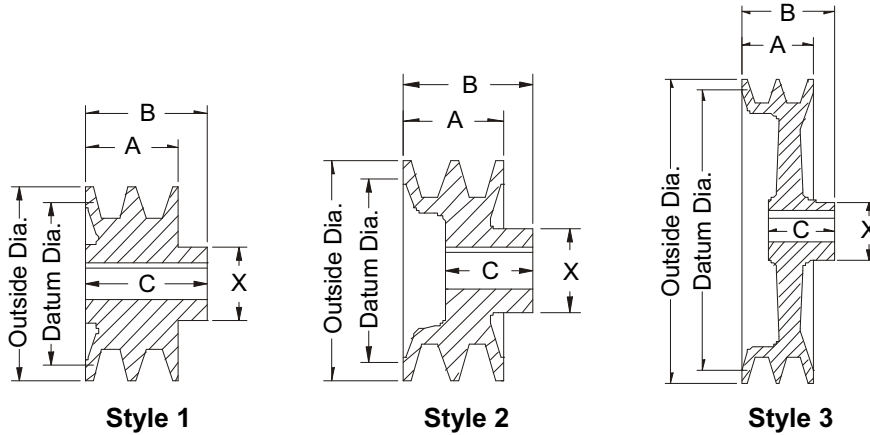
Sheaves & Bushings


LIGHT DUTY SHEAVES


O-A Combination Groove Bored to Size




OMAHA, NEBRASKA
(402) 453-9595
1-800-442-6009
FAX (402) 453-1740



s = solid cast iron 

lh = lighting hole 

sp = spoked cast iron 

2 GROOVE

Stock No.	G&G Desc.	Out-side Dia.	Datum Diameters		Stock Bore Sizes with Standard Keyway									Dimensions			Sty.	Wt. Lbs.		
			A-Belt	O-Belt	1/2	5/8	3/4	7/8	1	1 1/8	1 3/16	1 1/4	1 3/8	1 7/16	A	B			C	
722220**	2AK20	2.00	1.80	1.46	X ₁ *	X ₁	X ₁	X ₁								1-3/8	1-27/32	1-21/32	1 _s	0.83
722222**	2AK22	2.25	2.00	1.66	X ₁ *	X ₁	X ₁	X ₁								1-3/8	1-27/32	1-21/32	1 _s	1.00
722223**	2AK23	2.35	2.10	1.76		X ₂	X ₂	X ₂	X ₂							1-3/8	1-27/32	1-21/32	1 _s	1.10
722225**	2AK25	2.55	2.30	1.96		X ₂	X ₂	X ₂	X ₂							1-3/8	1-27/32	1-21/32	1 _s	1.30
722228**	2AK28	2.85	2.60	2.26		X ₃	X ₃	X ₃	X ₃							1-3/8	1-27/32	1-21/32	1 _s	1.70
722230**	2AK30	3.05	2.80	2.46	X ₃ *	X ₃	X ₃	X ₃	X ₃							1-3/8	1-27/32	1-21/32	1 _s	2.00
722233**	2AK32	3.25	3.00	2.66		X ₃	X ₃	X ₃	X ₃	X ₃						1-3/8	1-27/32	1-21/32	1 _s	2.30
722235**	2AK34	3.45	3.20	2.86	X ₃ *	X ₃	X ₃	X ₃	X ₃							1-3/8	1-27/32	1-21/32	1 _s	2.50
722238**	2AK39	3.75	3.50	3.16	X ₃ *	X ₃	X ₃	X ₃	X ₃	X ₃						1-3/8	1-27/32	1-11/32	2 _s	2.60
722241**	2AK41	3.95	3.70	3.36		X ₃	X ₃	X ₃	X ₃	X ₃						1-3/8	1-27/32	1-11/32	2 _s	2.80
722244**	2AK44	4.25	4.00	3.66		X ₃	X ₃	X ₃	X ₃	X ₃						1-3/8	1-27/32	1-11/32	2 _s	3.20
722246**	2AK46	4.45	4.20	3.86			X ₃	X ₃	X ₁	X ₁						1-3/8	1-27/32	1-11/32	2 _s	2.90
722249**	2AK49	4.75	4.50	4.16			X ₁	X ₁	X ₃	X ₃						1-3/8	1-27/32	1-11/32	2 _s	3.20
722251**	2AK51	4.95	4.70	4.36			X ₁	X ₁	X ₃	X ₃						1-3/8	1-27/32	1-11/32	2 _s	3.40
722254**	2AK54	5.25	5.00	4.66		X ₁	X ₁	X ₁	X ₁	X ₃						1-3/8	1-27/32	1-11/32	3 _s	3.70
722256**	2AK56	5.45	5.20	4.86		X ₁	X ₁		X ₁	X ₃						1-3/8	1-27/32	1-11/32	3 _s	3.90
722261**	2AK61	5.95	5.70	5.36			X ₁	X ₁	X ₃	X ₃						1-3/8	1-27/32	1-11/32	3 _s	4.50
722273**	2AK74	7.25	7.00	6.66			X ₂	X ₂	X ₂	X ₄						1-3/8	1-23/32	1-19/32	3 _{lh}	6.00
722284**	2AK84	8.25	8.00	7.66				X ₂	X ₂							1-3/8	1-23/32	1-19/32	3 _{lh}	7.00
722292**	2AK94	9.25	9.00	8.66			X ₂	X ₂	X ₂	X ₄	X ₄					1-3/8	1-23/32	1-19/32	3 _{lh}	8.20
722211**	2AK104	10.25	10.00	9.66			X ₂	X ₂	X ₂							1-3/8	1-23/32	1-19/32	3 _{sp}	9.60
722214**	2AK124	12.25	12.00	11.66			X ₂	X ₂	X ₂		X ₅			X ₇	X ₇	1-3/8	1-23/32	1-19/32	3 _{sp}	12.10
722215**	2AK144	14.25	14.00	13.66				X ₂	X ₂					X ₇	X ₇	1-3/8	1-23/32	1-19/32	3 _{sp}	14.60
722216**	2AK154	15.25	15.00	14.66							X ₅			X ₇	X ₇	1-3/8	1-23/32	1-19/32	3 _{sp}	16.50
722218**	2AK184	18.25	18.00	17.66							X ₅			X ₇	X ₇	1-3/8	1-23/32	1-19/32	3 _{sp}	22.70

HUB DIA.	X ₁	X ₂	X ₃	X ₄	X ₅	X ₆
	1.6	1.7	1.9	2.0	2.2	2.5

**Bore Size Chart				
08 = 1/2"	12 = 3/4"	16 = 1"	19 = 1-3/16"	22 = 1-3/8"
10 = 5/8"	14 = 7/8"	18 = 1-1/8"	20 = 1-1/4"	23 = 1-7/16"

** Specify appropriate 2 digit bore size from Bore Size Chart above. * Supplied with no keyway. Other bore sizes and styles are available by quotation.

SEND YOUR INQUIRIES

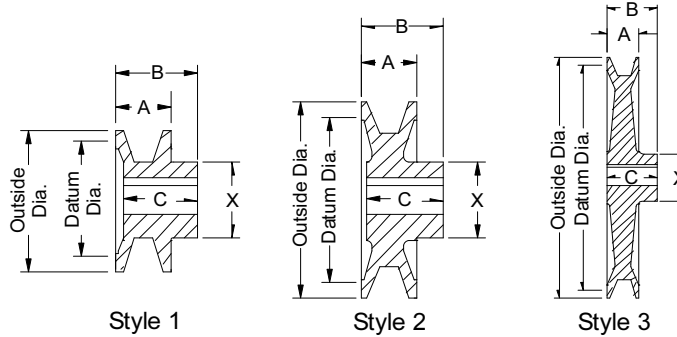
CAUTION: Do not use with rim speeds in excess of 6500 feet per minute.



OMAHA, NEBRASKA
(402) 453-9595
1-800-442-6009
FAX (402) 453-1740

LIGHT DUTY SHEAVES

A-B Combination Groove Bored to Size



s = solid cast iron lh = lighting hole sp = spoked cast iron

1 GROOVE

Stock No.	G&G Desc.	Out-side Dia.	Datum Diameters		Stock Bore Sizes with Standard Keyway										Dimensions			Sty.	Wt Lbs.		
			B-Belt	A-Belt	1/2	5/8	3/4	7/8	1	1 1/8	1 3/16	1 1/4	1 3/8	1 7/16	A	B	C				
					X ₁ *	X ₁	X ₁	X ₁	X ₂	X ₃	X ₃	X ₃	X ₃	X ₃						X ₃	X ₃
702323**	BK24	2.40	2.20	1.80	X ₁ *	X ₁	X ₁	X ₁									13/16	1-7/32	1-1/16	1 _s	.73
702325**	BK25	2.50	2.30	1.90	X ₁ *	X ₁	X ₁	X ₁	X ₂								13/16	1-7/32	1-1/16	1 _s	.74
702326**	BK26	2.60	2.40	2.00	X ₁ *	X ₁	X ₁	X ₁									13/16	1-7/32	1-1/16	1 _s	.80
702327**	BK27	2.70	2.50	2.10	X ₁ *	X ₁	X ₁	X ₁	X ₂								13/16	1-7/32	1-1/16	2 _s	.84
702330**	BK28	2.95	2.60	2.20	X ₁ *	X ₁	X ₁	X ₁	X ₃	X ₃							13/16	1-7/32	1-1/16	2 _s	1.00
702332**	BK30	3.15	2.80	2.40	X ₁ *	X ₁	X ₁	X ₁	X ₃	X ₃							13/16	1-7/32	1-1/16	2 _s	1.20
702334**	BK32	3.35	3.00	2.60	X ₁ *	X ₁	X ₁	X ₁	X ₃	X ₃							13/16	1-7/32	1-1/16	2 _s	1.20
702336**	BK34	3.55	3.20	2.80	X ₃ *	X ₃	X ₃	X ₃	X ₃	X ₃							7/8	1-9/32	1-5/16	2 _s	1.70
702338**	BK36	3.75	3.40	3.00	X ₃ *	X ₃	X ₃	X ₃	X ₃	X ₃							7/8	1-9/32	1-5/16	2 _s	1.90
702340**	BK40	3.95	3.60	3.20	X ₃ *	X ₃	X ₃	X ₃	X ₃	X ₃							7/8	1-9/32	1-5/16	2 _s	2.10
702342**	BK45	4.25	3.90	3.50	X ₃ *	X ₁	X ₁	X ₁	X ₂	X ₃							7/8	1-9/32	1-5/16	2 _s	2.10
702345**	BK47	4.45	4.10	3.70	X ₃ *	X ₁	X ₁	X ₁	X ₂	X ₃							7/8	1-9/32	1-5/16	2 _s	2.20
702348**	BK50	4.75	4.40	4.00	X ₃ *	X ₁	X ₁	X ₁	X ₂	X ₃							7/8	1-9/32	1-5/16	3 _s	2.50
702350**	BK52	4.95	4.60	4.20	X ₃ *	X ₁	X ₁	X ₁	X ₂	X ₃							7/8	1-9/32	1-5/16	3 _s	2.60
702352**	BK55	5.25	4.90	4.50	X ₄ *	X ₁	X ₁	X ₁	X ₂	X ₄	X ₄						7/8	1-9/32	1-5/16	3 _s	3.00
702354**	BK57	5.45	5.10	4.70		X ₁	X ₁	X ₁	X ₂	X ₄	X ₄						7/8	1-9/32	1-5/16	3 _s	3.10
702358**	BK60	5.75	5.40	5.00	X ₄ *	X ₁	X ₁	X ₁	X ₂	X ₄	X ₄						7/8	1-9/32	1-5/16	3 _s	3.40
702360**	BK62	5.95	5.60	5.20	X ₄ *	X ₁	X ₁	X ₁	X ₂	X ₄	X ₄						7/8	1-9/32	1-5/16	3 _s	3.60
702362**	BK65	6.25	5.90	5.50		X ₁	X ₁		X ₂	X ₄	X ₄						7/8	1-9/32	1-5/16	3 _s	3.90
702364**	BK67	6.45	6.10	5.70		X ₁	X ₁		X ₂	X ₄	X ₄						7/8	1-9/32	1-5/16	3 _s	3.70
702368**	BK70	6.75	6.40	6.00		X ₁	X ₁	X ₁	X ₂	X ₄	X ₄	X ₄					7/8	1-17/32	1-15/32	3 _s	4.60
702370**	BK72	6.95	6.60	6.20			X ₁		X ₂	X ₄				X ₇			7/8	1-17/32	1-15/32	3 _{in}	4.40
702373**	BK75	7.25	6.90	6.50			X ₁		X ₃	X ₃							7/8	1-17/32	1-15/32	3 _{in}	4.60
702377**	BK77	7.45	7.10	6.70			X ₁		X ₃	X ₃				X ₇			7/8	1-17/32	1-15/32	3 _{in}	5.10
702378**	BK80	7.75	7.40	7.00		X ₁	X ₁	X ₁	X ₃	X ₃	X ₅	X ₅		X ₇	X ₇		7/8	1-17/32	1-15/32	3 _{in}	5.40
702383**	BK85	8.25	7.90	7.50			X ₁		X ₂	X ₅							7/8	1-17/32	1-15/32	3 _{in}	5.80
702388**	BK90	8.75	8.40	8.00			X ₁	X ₁	X ₂	X ₅	X ₅			X ₇	X ₇		7/8	1-17/32	1-15/32	3 _{in}	6.10
702398**	BK100	9.75	9.40	9.00			X ₁	X ₁	X ₂	X ₅	X ₅	X ₅		X ₇	X ₇		7/8	1-17/32	1-15/32	3 _{in}	7.40
702391**	BK110	10.75	10.40	10.00				X ₂	X ₂	X ₅				X ₇	X ₇		7/8	1-17/32	1-15/32	3 _{sp}	8.50
702393**	BK115	11.25	10.90	10.50				X ₂						X ₇	X ₇		7/8	1-17/32	1-15/32	3 _{sp}	8.90
702396**	BK120	11.75	11.40	11.00				X ₂	X ₂		X ₅	X ₅		X ₇	X ₇		7/8	1-17/32	1-15/32	3 _{sp}	10.00
702392**	BK130	12.75	12.40	12.00				X ₂	X ₂	X ₅	X ₅	X ₅		X ₇	X ₇		7/8	1-17/32	1-15/32	3 _{sp}	10.80
702394**	BK140	13.75	13.40	13.00				X ₂	X ₂	X ₅	X ₅	X ₅		X ₇	X ₇		7/8	1-17/32	1-15/32	3 _{sp}	12.10
702395**	BK160	15.75	15.40	15.00					X ₂	X ₅	X ₅	X ₅		X ₇	X ₇		7/8	1-17/32	1-15/32	3 _{sp}	14.40
702399**	BK190	18.75	18.40	18.00					X ₂		X ₅	X ₅		X ₇	X ₇		7/8	1-17/32	1-15/32	3 _{sp}	21.30

	X ₁	X ₂	X ₃	X ₄	X ₅	X ₆
HUB DIA.	1.6	1.7	1.9	2.0	2.2	2.5

** Specify appropriate 2 digit bore size from Bore Size Chart on page 177. * Supplied with no keyway. Other bore sizes and styles are available by quotation.

SEND YOUR INQUIRIES

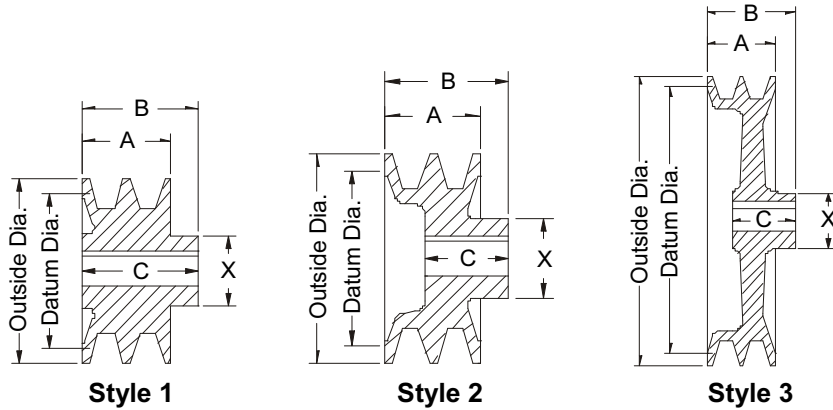
CAUTION: Do not use with rim speeds in excess of 6500 feet per minute.

LIGHT DUTY SHEAVES

A-B Combination Groove Bored to Size



OMAHA, NEBRASKA
(402) 453-9595
1-800-442-6009
FAX (402) 453-1740



s = solid cast iron

lh = lighting hole

sp = spoked cast iron

2 GROOVE

Stock No.	G&G Desc.	Out-side Dia.	Datum Diameters		Stock Bore Sizes with Standard Keyway										Dimensions			Sty.	Wt. Lbs.		
			B-Belt	A-Belt	1/2	5/8	3/4	7/8	1	1 ¹ / ₈	1 ³ / ₁₆	1 ¹ / ₄	1 ³ / ₈	1 ⁷ / ₁₆	A	B	C				
722325**	2BK25	2.50	2.30	1.90	X ₁ *	X ₁	X ₁	X ₁									1-3/4	2-7/32	1-31/32	1 _s	1.50
722328**	2BK27	2.70	2.50	2.10	X ₂ *	X ₂	X ₂	X ₂	X ₂	X ₂							1-3/4	2-7/32	1-31/32	1 _s	1.70
722330**	2BK28	2.95	2.60	2.20	X ₃ *	X ₃	X ₃	X ₃	X ₃	X ₃							1-3/4	2-7/32	1-31/32	1 _s	2.10
722331**	2BK30	3.15	2.80	2.40	X ₃ *	X ₃	X ₃	X ₃	X ₃	X ₃							1-3/4	2-7/32	1-31/32	1 _s	2.30
722334**	2BK32	3.35	3.00	2.60		X ₁	X ₁	X ₁	X ₃	X ₃							1-3/4	2-7/32	1-31/32	1 _s	2.70
722335**	2BK34	3.55	3.20	2.80		X ₁	X ₁	X ₁	X ₃	X ₃							1-3/4	2-7/32	1-31/32	1 _s	3.10
722338**	2BK36	3.75	3.40	3.00		X ₁	X ₁	X ₁	X ₃	X ₃					X ₆		1-3/4	2-7/32	1-31/32	1 _s	3.40
722340**	2BK40	3.95	3.60	3.20		X ₁	X ₁	X ₁	X ₃	X ₃					X ₆		1-3/4	2-7/32	1-15/32	2 _s	3.40
722345**	2BK45	4.25	3.90	3.50					X ₃	X ₃					X ₆		1-3/4	2-7/32	1-15/32	2 _s	4.00
722347**	2BK47	4.45	4.10	3.70				X ₁	X ₃	X ₃					X ₆		1-3/4	2-7/32	1-15/32	2 _s	4.20
722350**	2BK50	4.75	4.40	4.00					X ₃	X ₃					X ₆		1-3/4	2-7/32	1-15/32	2 _s	4.80
722352**	2BK52	4.95	4.60	4.20		X ₁		X ₁	X ₃	X ₃					X ₆		1-3/4	2-7/32	1-15/32	2 _s	5.20
722355**	2BK55	5.25	4.90	4.50					X ₃	X ₃					X ₆		1-3/4	2-7/32	1-15/32	2 _s	5.80
722357**	2BK57	5.45	5.10	4.70					X ₃	X ₃					X ₆		1-3/4	2-7/32	1-15/32	2 _s	5.40
722360**	2BK60	5.75	5.40	5.00				X ₁	X ₃	X ₃					X ₆		1-3/4	2-7/32	1-15/32	3 _s	5.70
722362**	2BK62	5.95	5.60	5.20				X ₁	X ₃	X ₃					X ₆		1-3/4	2-7/32	1-15/32	3 _s	6.00
722365**	2BK65	6.25	5.90	5.50					X ₃	X ₃					X ₆		1-3/4	2-7/32	1-15/32	3 _s	6.50
722367**	2BK67	6.45	6.10	5.70					X ₃	X ₃					X ₆		1-3/4	2-7/32	1-15/32	3 _s	6.80
722370**	2BK70	6.75	6.40	6.00				X ₁	X ₃	X ₃					X ₆		1-3/4	2-7/32	1-19/32	3 _s	7.60
722380**	2BK80	7.75	7.40	7.00				X ₁	X ₃	X ₃					X ₇		1-3/4	2-7/32	1-19/32	3 _{lh}	8.70
722390**	2BK90	8.75	8.40	8.00				X ₁	X ₃	X ₃					X ₇		1-3/4	2-7/32	1-19/32	3 _{lh}	10.00
722391**	2BK100	9.75	9.40	9.00				X ₁	X ₃	X ₃					X ₇		1-3/4	2-7/32	1-19/32	3 _{lh}	11.80
722393**	2BK110	10.75	10.40	10.00					X ₂	X ₂					X ₇		1-3/4	2-7/32	1-19/32	3 _{sp}	14.00
722392**	2BK120	11.75	11.40	11.00					X ₂	X ₂					X ₇		1-3/4	2-7/32	1-19/32	3 _{sp}	15.60
722395**	2BK130	12.75	12.40	12.00					X ₂	X ₂					X ₇		1-3/4	2-7/32	1-19/32	3 _{sp}	17.00
722397**	2BK140	13.75	13.40	13.00					X ₂	X ₂					X ₇		1-3/4	2-7/32	1-19/32	3 _{sp}	19.00
722396**	2BK160	15.75	15.40	15.00					X ₂	X ₂					X ₇		1-3/4	2-7/32	1-19/32	3 _{sp}	23.70
722399**	2BK190	18.75	18.40	18.00					X ₂	X ₂					X ₇		1-3/4	2-7/32	1-19/32	3 _{sp}	30.30

HUB DIA.	X ₁	X ₂	X ₃	X ₄	X ₅	X ₆
	1.6	1.7	1.9	2.0	2.2	2.5

**Bore Size Chart				
08 = 1/2"	12 = 3/4"	16 = 1"	19 = 1-3/16"	22 = 1-3/8"
10 = 5/8"	14 = 7/8"	18 = 1-1/8"	20 = 1-1/4"	23 = 1-7/16"

** Specify appropriate 2 digit bore size from Bore Size Chart above. * Supplied with no keyway. Other bore sizes and styles are available by quotation.

SEND YOUR INQUIRIES

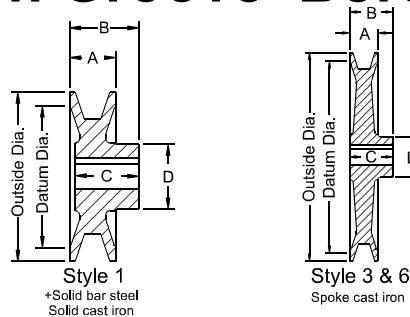
CAUTION: Do not use with rim speeds in excess of 6500 feet per minute.



OMAHA, NEBRASKA
(402) 453-9595
1-800-442-6009
FAX (402) 453-1740

LIGHT DUTY SHEAVES NOVA IMPORT

A-B Combination Groove Bored to Size



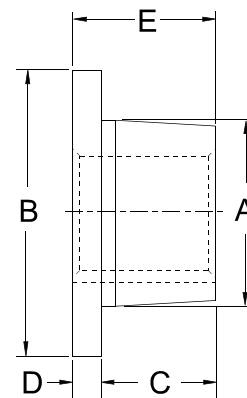
1 GROOVE

NOVA Import Stock No.	Desc.	Outside Dia.	Datum Diameters				Dimensions				Style	Wt Lbs.	
			B-Belt	A-Belt	5/8	1	1 ^{1/8}	A	B	C			D
702320105	BK19	2.05	1.70		X			13/16	1-1/4	1-3/32	1.56	1	.60
702325105	BK23	2.45	2.10		X			13/16	1-1/4	1-3/32	1.69	1	.80
702326105	BK24	2.55	2.20	1.80	X			13/16	1-1/4	1-3/32	1.69	1	.90
702330105	BK28	2.95	2.60	2.20	X			13/16	1-1/4	1-3/32	1.81	1	1.10
702334105	BK32	3.35	3.00	2.60	X			13/16	1-1/4	1-3/32	1.81	1	1.30
702336105	BK34	3.55	3.20	2.80	X			7/8	1-5/16	1-3/16	1.81	1	1.60
702336185	BK34	3.55	3.20	2.80			X	7/8	1-5/16	1-3/16	1.81	1	1.60
702340105	BK40	3.95	3.60	3.20	X			7/8	1-5/16	1-3/16	1.81	1	1.80
702340185	BK40	3.95	3.60	3.20			X	7/8	1-5/16	1-3/16	1.81	1	1.80
702360165	BK62	5.95	5.60	5.20		X		7/8	1-5/16	1-3/16	2.38	3	3.20

H Bushings for O-A and A-B Combination Grooves

- ▶ Sheaves and Bushings are zinc phosphate for rust resistance.
- ▶ All steel, tapered bushing creates wedge action for full grip on the shaft.
- ▶ Fully split for extra holding power.
- ▶ Two machined screws for quick mounting and dismounting.
- ▶ Two mounting holes for fast assembly.
- ▶ Two tapped holes for easy removal.

USA Stock No.	NOVA Import Stock No.	Bore Size	Keyway Size	Wt. Lbs.
75040007	750400075	7/16	None	1.04
75040008	750400085	1/2	None	1.02
75040010	750400105	5/8	3/16 x 3/32	.98
75040011	750400115	11/16	3/16 x 3/32	.96
75040012	750400125	3/4	3/16 x 3/32	.94
75040013	750400135	13/16	3/16 x 3/32	.92
75040014	750400145	7/8	3/16 x 3/32	.90
75040015	750400155	15/16	1/4 x 1/8	.88
75040016	750400165	1	1/4 x 1/8	.86
75040017	750400175	1-1/16	1/4 x 1/8	.84
75040018	750400185	1-1/8	1/4 x 1/8	.82
75040019	750400195	1-3/16	1/4 x 1/8	.80
75040020	750400205	1-1/4	1/4 x 1/8	.78
75040022	750400225	1-3/8	5/16 x 5/32	.74
75040023	750400235	1-7/16	3/8 x 3/16	.72



Bushing Dimensions						
Dim. A	Dim. B	Dim. C	Dim. D	Dim. E	Bolt Circle	Cap Screws Required
1.625	2-1/2	1	1/4	1-1/4	2	2 ea. 1/4 x 3/4

CAUTION: Do not use with rim speeds in excess of 6500 feet per minute.

LIGHT DUTY SHEAVES NOVA IMPORT

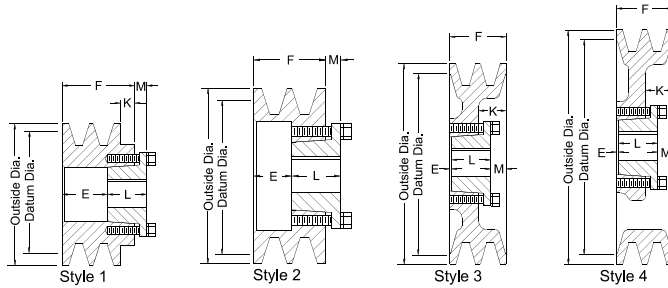
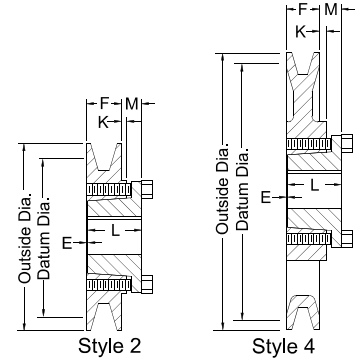


OMAHA, NEBRASKA
(402) 453-9595
1-800-442-6009
FAX (402) 453-1740

A-B Combination Groove for H Bushings

1 GROOVE

NOVA Import Stock No.	Desc.	Outside Dia.	Datum Diameters		Style	Dimensions - Inches				Fits Bush.	Wt. Lbs.**
			B-Belt	A-Belt		E*	F	L	M*		
712730005	BK30H	3.15	2.80	2.40	2	1/2	7/8	1-1/4	7/8	H	1.80
712732005	BK32H	3.35	3.00	2.60	2	1/2	7/8	1-1/4	7/8	H	2.00
712734005	BK34H	3.55	3.20	2.80	2	1/2	7/8	1-1/4	7/8	H	2.20
712736005	BK36H	3.75	3.40	3.00	2	1/16	7/8	1-1/4	7/16	H	1.80
712740005	BK40H	3.95	3.60	3.20	2	1/16	7/8	1-1/4	7/16	H	2.00
712745005	BK45H	4.25	3.90	3.50	2	1/16	7/8	1-1/4	7/16	H	2.40
712747005	BK47H	4.45	4.10	3.70	2	1/16	7/8	1-1/4	7/16	H	2.80
712750005	BK50H	4.75	4.40	4.00	2	1/16	7/8	1-1/4	7/16	H	2.60
712755005	BK55H	5.25	4.90	4.50	2	1/16	7/8	1-1/4	7/16	H	3.30
712757005	BK57H	5.45	5.10	4.70	4	1/16	7/8	1-1/4	7/16	H	3.30
712760005	BK60H	5.75	5.40	5.00	4	1/16	7/8	1-1/4	7/16	H	3.10
712762005	BK62H	5.95	5.60	5.20	4	1/16	7/8	1-1/4	7/16	H	3.20
712765005	BK65H	6.25	5.90	5.50	4	1/16	7/8	1-1/4	7/16	H	3.40
712770005	BK70H	6.75	6.40	6.00	4	1/8	7/8	1-1/4	1/2	H	3.40
712780005	BK80H	7.75	7.40	7.00	4	1/8	7/8	1-1/4	1/2	H	4.00
712790005	BK90H	8.75	8.40	8.00	4	1/8	7/8	1-1/4	1/2	H	4.90
712791005	BK100H	9.75	9.40	9.00	4	1/8	7/8	1-1/4	1/2	H	5.80
712791105	BK110H	10.75	10.40	10.00	4	1/8	7/8	1-1/4	1/2	H	6.60
712791205	BK120H	11.75	11.40	11.00	4	1/8	7/8	1-1/4	1/2	H	7.50
712791605	BK160H	15.75	15.00	15.40	3	1 9/16	1/2	1/16	7/8	H	12.60
712791805	BK180H	17.5	12.00	17.40	3	1 9/16	1/2	1/16	7/8	H	14.50



2 GROOVE

NOVA Import Stock No.	Desc.	Outside Diameter	Datum Diameters		Style	Dimensions				Fits Bush.	Wt. Lbs.**
			B-Belt	A-Belt		E*	F	L	M*		
732732005	2BK32H	3.35	3.00	2.60	1	1-3/8	1-3/4	1-1/4	7/8	H	2.60
732734005	2BK34H	3.55	3.20	2.80	1	1-3/8	1-3/4	1-1/4	7/8	H	3.00
732736005	2BK36H	3.75	3.40	3.00	2	15/16	1-3/4	1-1/4	7/16	H	2.00
732740005	2BK40H	3.95	3.60	3.20	2	15/16	1-3/4	1-1/4	7/16	H	3.00
732745005	2BK45H	4.25	3.90	3.50	2	15/16	1-3/4	1-1/4	7/16	H	3.60
732747005	2BK47H	4.45	4.10	3.70	3	1/16	1-3/4	1-1/4	7/16	H	3.40
732750005	2BK50H	4.75	4.40	4.00	3	1/16	1-3/4	1-1/4	7/16	H	3.90
732752005	2BK52H	4.95	4.60	4.20	3	1/16	1-3/4	1-1/4	7/16	H	4.20
732755005	2BK55H	5.25	4.90	4.50	3	1/16	1-3/4	1-1/4	7/16	H	4.50
732760005	2BK60H	5.75	5.40	5.00	4	1/16	1-3/4	1-1/4	7/16	H	5.00
732765005	2BK65H	6.25	5.90	5.50	4	1/16	1-3/4	1-1/4	7/16	H	5.10
732767005	2BK67H	6.45	6.10	5.70	4	1/16	1-3/4	1-1/4	7/16	H	5.60
732770005	2BK70H	6.75	6.40	6.00	4	1/16	1-3/4	1-1/4	7/16	H	5.70
732780005	2BK80H	7.75	7.40	7.00	4	5/16	1-3/4	1-1/4	3/16	H	7.00
732790005	2BK90H	8.75	8.40	8.00	4	1/16	1-3/4	1-1/4	7/16	H	8.20
732791005	2BK100H	9.75	9.40	9.00	4	5/16	1-3/4	1-1/4	3/16	H	9.00
732791105	2BK110H	10.75	10.40	10.00	4	1/16	1-3/4	1-1/4	7/16	H	9.90
732791205	2BK120H	11.75	11.40	11.00	4	1/16	1-3/4	1-1/4	7/16	H	11.60
732791405	2BK140H	13.75	13.00	13.40	3	1 3/4	7/16	1/4	7/16	H	17.30
732791605	2BK160H	15.75	15.00	15.40	3	1 9/16	1/2	1/16	7/8	H	20.00
732791805	2BK180H	17.75	17.00	17.40	3	1 9/16	1/2	1/16	7/8	H	24.70

* E and M are reference dimensions only.

** Weights are for sheave only less bushing.

See page 173 for H Bushing information.

CAUTION: Do not use with rim speeds in excess of 6500 feet per minute.

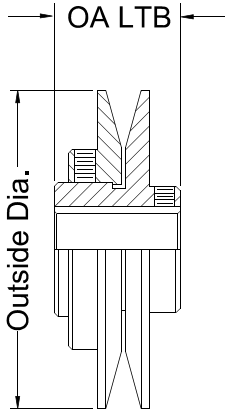


OMAHA, NEBRASKA
(402) 453-9595
1-800-442-6009
FAX (402) 453-1740

VARIABLE PITCH LIGHT DUTY SHEAVES

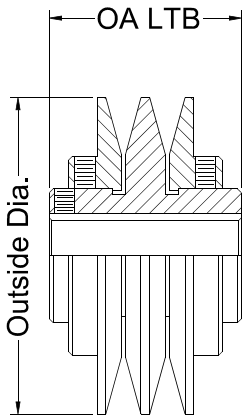
O-A-B Combination Groove Bored to Size

1 GROOVE



Stock Number	Desc.	Outside Diameter	Overall Length	Weight Lbs.	Stock Bores								Max. Bore	
					1/2	5/8	3/4	7/8	1	1 1/8	1 3/8	1 5/8		
741025**	1VP25	2.58	1.59	0.7	x	x	x							3/4
741034**	1VP34	3.15	1.88	1.4	x	x	x	x	x	x				1 1/8
741040**	1VP40	3.75	1.88	1.9	x	x	x	x	x	x				1 1/8
741044**	1VP44	4.15	1.88	2.4	x	x	x	x	x	x				1 1/8
741050**	1VP50	4.75	2.00	3.6	x	x	x	x	x	x				1 1/8
741056**	1VP56	5.35	1.88	4.4	x	x	x	x	x	x				1 5/8
741060**	1VP60	6.00	1.66	6.5				x		x	x			1 5/8
741062**	1VP62	5.95	1.91	6.1		x	x	x	x	x	x			1 5/8
741068**	1VP68	6.55	1.91	7.3			x	x	x	x	x			1 5/8
741075**	1VP75	7.50	1.66	9.2			x	x	x	x	x	x		1 5/8

2 GROOVE



Stock Number	Desc.	Outside Diameter	Overall Length	Weight Lbs.	Stock Bores								Max. Bore	
					1/2	5/8	3/4	7/8	1	1 1/8	1 3/8	1 5/8		
742036**	2VP36	3.35	3	3.4	x	x	x	x	x	x				1 1/8
742042**	2VP42	3.95	3	4.4		x	x	x	x	x				1 1/8
742050**	2VP50	4.75	3	6.3		x	x	x	x	x				1 1/8
742056**	2VP56	5.35	3	7.8		x	x	x	x	x	x			1 5/8
742060**	2VP60	6.00	3.25	10.6				x	x	x	x	x		1 5/8
742062**	2VP62	5.95	3	10			x	x	x	x	x	x		1 5/8
742068**	2VP68	6.55	3	11.7			x	x	x	x	x	x		1 5/8
742075**	2VP75	7.50	3.25	16.5			x	x	x	x	x	x		1 5/8

** Specify appropriate 2 digit bore size from Bore Size Chart below.

Stock Bore Information

**Bore Size Chart			
08 = 1/2"	12 = 3/4"	16 = 1"	22 = 1-3/8"
10 = 5/8"	14 = 7/8"	18 = 1-1/8"	26 = 1-5/8"

Stock No.	Outside Dia.	Stock Bore Sizes						
		1/2	5/8	3/4	7/8	1	1 1/8	1 3/8
741025**	2.50	X	X	X				
741032**	3.25	X	X	X	X	X		
741037**	3.75	X	X	X	X	X		
741042**	4.15	X	X	X	X	X		
741048**	4.75	X	X	X	X	X		
741054**	5.35	X	X	X	X	X		
741060**	6.00				X	X	X	
741061**	6.00		X	X	X	X	X	
741068**	6.75			X	X	X	X	X
741074**	7.37			X	X	X	X	X

Stock No.	Outside Dia.	Stock Bore Sizes							
		1/2	5/8	3/4	7/8	1	1 1/8	1 3/8	1 5/8*
742033**	3.25	X	X	X	X	X	X		
742038**	3.75		X	X	X	X	X		
742042**	4.15		X	X	X	X	X		
742048**	4.75		X	X	X	X	X		
742053**	5.35		X	X	X	X	X	X	X
742060**	6.00				X	X	X	X	X
742061**	6.00				X	X	X	X	X
742068**	6.75			X	X	X	X	X	X
742074**	7.35			X	X	X	X	X	X

*Shallow Keyway, a 3/8 x 1/4 key will be furnished with sheave

CAUTION: Do not use with rim speeds in excess of 6500 feet per minute.

Sheaves & Bushings

SECTION INDEX



OMAHA, NEBRASKA
(402) 453-9595
1-800-442-6009
FAX (402) 453-1740

Flanges	182
Hubs and Bushings	185
Idlers	185
Machined Shafts	184
Pulleys	183
HTD Synchronous QD Pulleys	183
Large Wire Rope Pulleys	183
Multiple Groove Pulleys.....	183
Synchronous QD Pulleys	183
V Ribbed J Sheaves	183
Secondary Machined Threaded Rod	184
Splined Shafts.....	186
Spur Gears	187
Sprockets	181,182 &186
Conveyor Style Table Top Sprockets.....	182
Double Single Sprockets	181
Flame Cut Sprockets.....	181
Large Bore Sprockets	181
Multiple Strand Sprockets	181
Ratchet Tooth Sprockets	186
Specifications	182
Transmission Sprockets.....	181

WWW.GGMFG.COM

Toll Free
(800) 442-6009



EST.
1943

**CATALOG
2017 - v1**



OMAHA, NEBRASKA
(402) 453-9595
1-800-442-6009
FAX (402) 453-1740

G&G Manufacturing Company has machining capabilities to offer a wide range of made to order parts and secondary machining operations. We can provide sprockets, gears, special flanges, pulleys, shafts - including splined shafts, threaded rods, hubs, bushings, couplers and idlers, and special jacks in a variety of sizes and styles. Our extensive production facilities can machine a multitude of materials from aluminum to plastic to stainless steel.

SEND YOUR SAMPLE PARTS OR PRINTS FOR QUOTATION.

Made to order items are subject to a production run of plus or minus 7% of the actual quantity ordered.

A Production print must be signed for approval before manufacturing will begin on the first run of any made to order item.

Made to order product purchase orders are non-cancelable and non-returnable.



**CATALOG
2017 - v1**

WWW.GGMFG.COM
Toll Free
(800) 442-6009

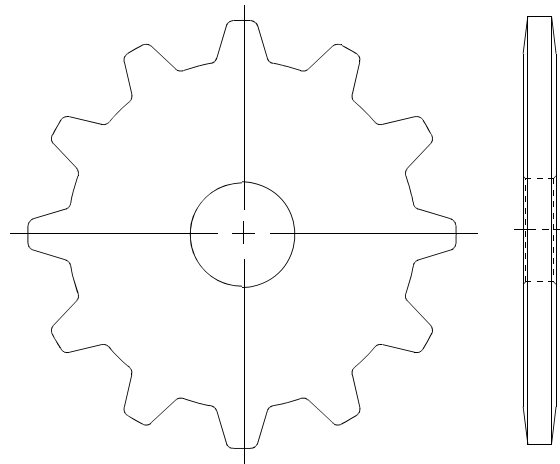
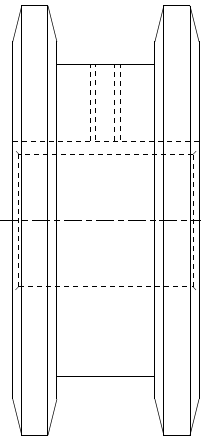
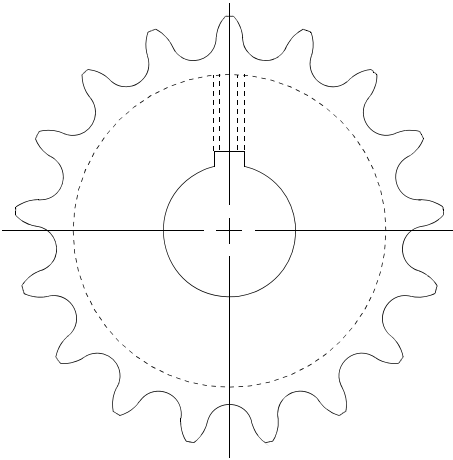
SPROCKETS



OMAHA, NEBRASKA
 (402) 453-9595
 1-800-442-6009
 FAX (402) 453-1740

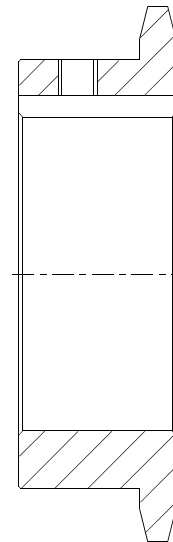
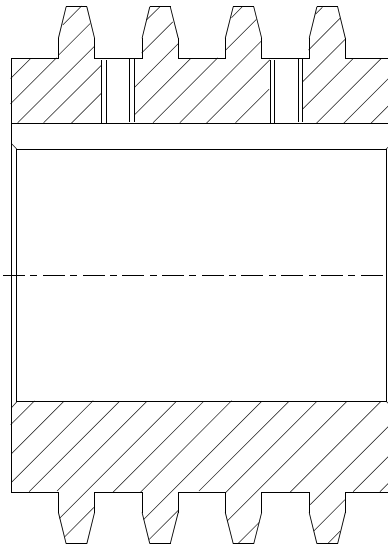
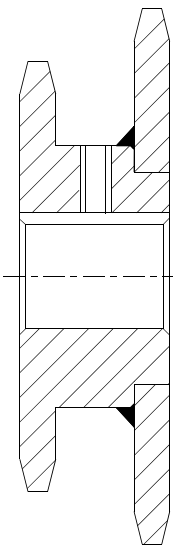
G&G Manufacturing Company offers many Made to Order Sprocket styles. Every style is available in a variety of chain sizes with stock, finished, or special bores. A Type, B Type and C Type hubs, special teeth, or machined grooves are also available in many different materials.

SEND YOUR SAMPLE PARTS OR PRINTS FOR QUOTATION



Double Single Sprockets

Flame Cut Sprockets



Transmission Sprockets

Multiple Strand Sprockets

**Large Bore Solid Sprockets
 Up to 60" Max.
 Outside Diameter**

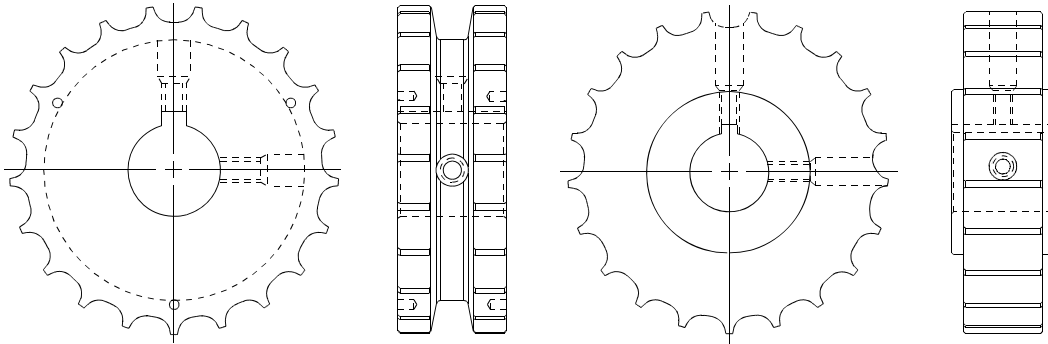
Manufactured in the USA by G&G Manufacturing Co.

Made to Order Parts



OMAHA, NEBRASKA
 (402) 453-9595
 1-800-442-6009
 FAX (402) 453-1740

SPROCKETS



S800 Series Conveyor Style Table Top Sprockets (Grooved and Ungrooved)

Additional Hobbed or Flame Cut Sprocket Specifications

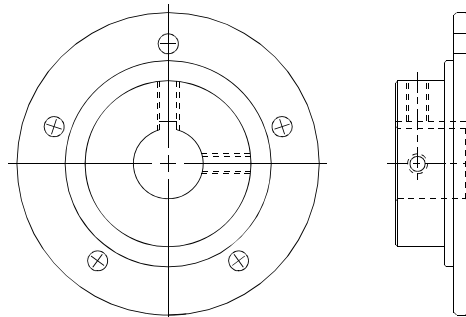
1.630 Pitch			
Identification Number	Chain Width	Spkt. Width	Chain Type
45, 45M	11/16	9/16	Detachable
55	51/64	9/16	Detachable
145, 445, 455, 945M	11/16	9/16	Pintle
955M	5/8	1/2	Pintle
A550, CA550, CA551X, CA557	51/64	9/16	Roller
A555, CA555	1/2	7/16	Roller
NH45	11/16	9/16	Polymeric

1.654 Pitch			
Identification Number	Chain Width	Spkt. Width	Chain Type
62, 62H, 62M, 62W	13/16	11/16	Detachable
H62	7/8	11/16	Pintle
H62M	7/8	11/16	Mill
R362, RR362, R432, RR432	31/32	3/4	Roller
A620, CA620	63/64	11/16	Roller
362R, RO620, IS622, RO622	1	3/4	Roller
RS625, RS627, 1862C	1	3/4	Roller

2.609 Pitch			
Identification Number	Chain Width	Spkt. Width	Chain Type
75M	23/32	9/16	Detachable
78, 88	15/16	3/4	Detachable
88M	1	3/4	Detachable
488, 788	13/16	11/16	Pintle
988Z	7/8	11/16	Pintle
H74, H75	1	3/4	Pintle
H78, H79	1-1/16	7/8	Pintle
D88C	1-1/4	1-1/8	Pintle
D88K	1-5/16	1-1/8	Pintle
H74Z, H75M, H78Z	15/16	3/4	Mill
H78M, W78, WH78, WHT78	1-1/8	7/8	Mill
1578	31/32	3/4	Roller
81X, C1288, 1587AC	1	3/4	Roller
B578	1-1/32	7/8	Roller
D81X, SBS188, 270, B508H	1-1/16	7/8	Roller
R588, RR588, R778, RR778	1-1/16	7/8	Roller
SS1088, 7602, 7774	1-1/16	7/8	Roller
WS78, WS78P, IS880, IS881	1-1/8	7/8	Roller
RO881, JS882, RO882, IS886	1-1/8	7/8	Roller
RS886, IS887, RS887, SS2004	1-1/8	7/8	Roller
O388JR	1-3/32	7/8	Roller
6188M	1-1/16	7/8	Roller
6143, 6148A	1-1/8	7/8	Roller
J6388R	1-3/32	7/8	Roller
188Z, C188, C188M	15/16	3/4	Combination
S188	1-1/16	7/8	Rollerless
NH78, NH78T	1	3/4	Polymeric
H78SRZ, H78PRZ	15/16	3/4	Transfer-Roller Top
H78RT1Z	1-1/8	7/8	Transfer-Roof Top

FLANGES

With Various
 Outside Diameters



Manufactured in the USA by G&G Manufacturing Co.

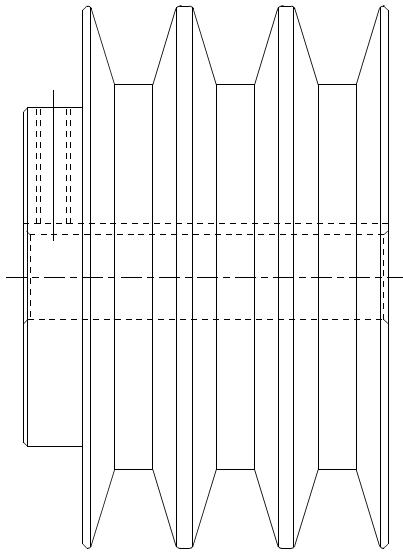
PULLEYS



OMAHA, NEBRASKA
 (402) 453-9595
 1-800-442-6009
 FAX (402) 453-1740

G&G Manufacturing Company offers many Made to Order Pulleys. Styles are available in a variety of belt, cable and chain sizes with stock, finished, or special bores. A Type, B Type, C Type and QD Style hubs, and specially machined grooves are also available in a multitude of different materials.

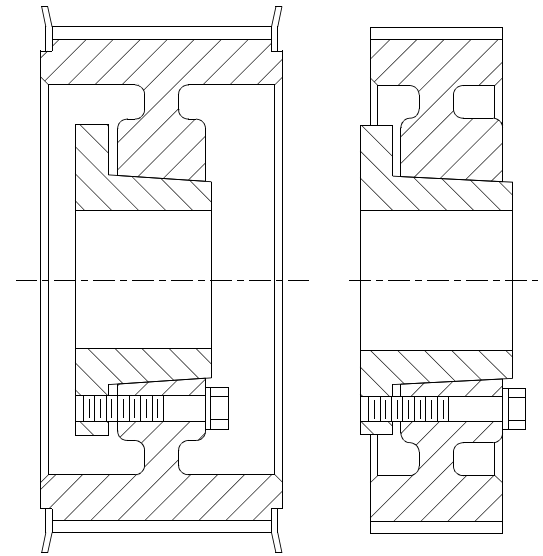
**SEND YOUR SAMPLE PARTS OR
 PRINTS FOR QUOTATION**



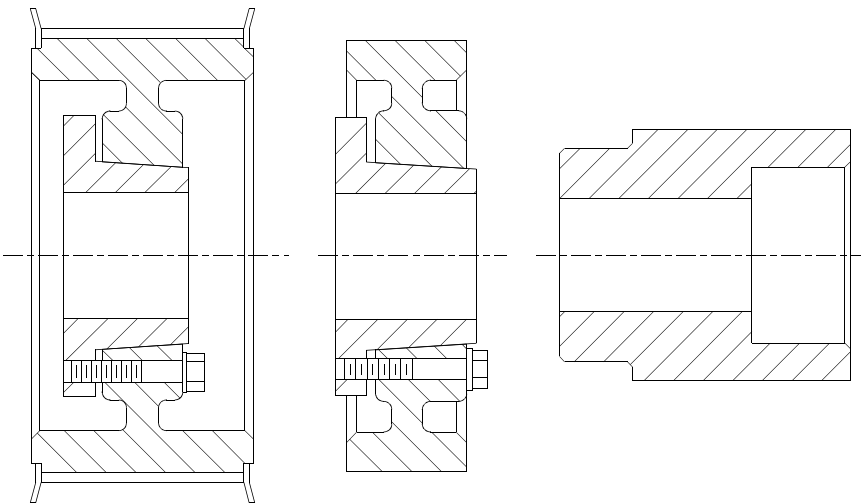
**Multiple Groove
 Pulleys**



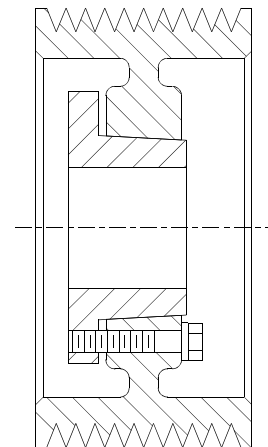
**Large Wire
 Rope Pulleys**



**Synchronous QD
 Pulleys 1/5 Pitch Extra
 Light to 1-1/4 Pitch
 Double Extra Heavy**



**HTD Synchronous QD Pulleys
 5mm, 8mm, 14mm & 20mm**



V Ribbed J Sheaves



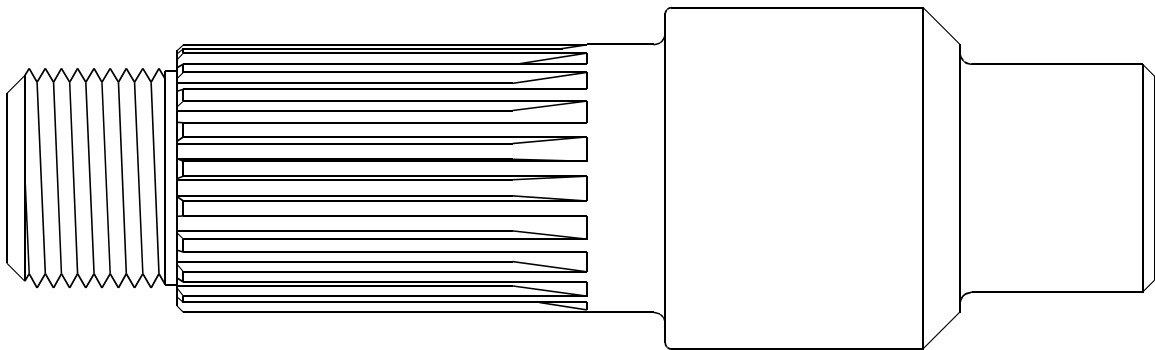
OMAHA, NEBRASKA
(402) 453-9595
1-800-442-6009
FAX (402) 453-1740

MACHINED SHAFTS & THREADED ROD

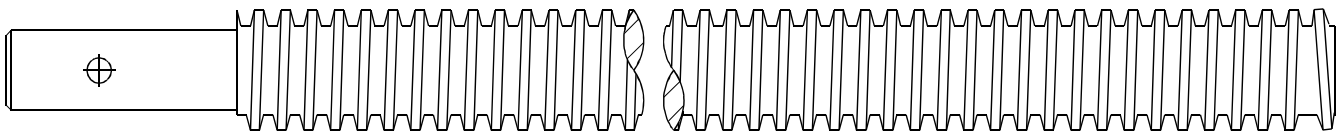
G&G Manufacturing Company can provide many Made to Order Shafts and Threaded Rod. Secondary operations such as machined ends and pinholes can be added to threaded rod. Specially machined shafts with tapers, bearing surfaces, splines, grooves or drilled and tapped holes are available in a variety of sizes and styles. A multitude of materials can be used to produce these items.

**SEND YOUR SAMPLE PARTS OR
PRINTS FOR QUOTATION.**

Specially Machined Shafts



Secondary Machine Operations on Threaded Parts



Made to
Order Parts

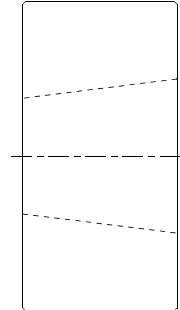
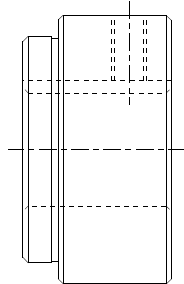
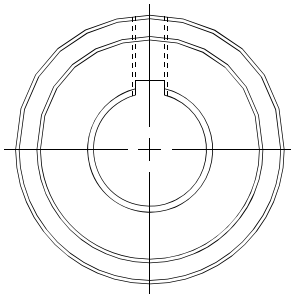
HUBS AND BUSHINGS



OMAHA, NEBRASKA
(402) 453-9595
1-800-442-6009
FAX (402) 453-1740

Made to Order Hubs and Bushings are available in a wide range of sizes and styles with stock, finished or special bores. A multitude of materials can be used to produce these types of products.

**SEND YOUR SAMPLE PARTS OR
PRINTS FOR QUOTATION.**



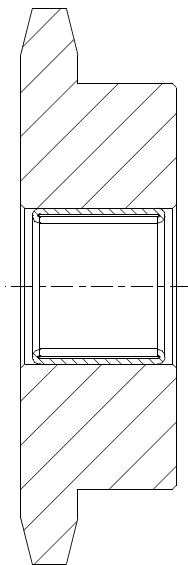
Special Hubs up to 24"
Max. Outside Diameter

Tapered Bore Bushings up to
24" Max. Outside Diameter

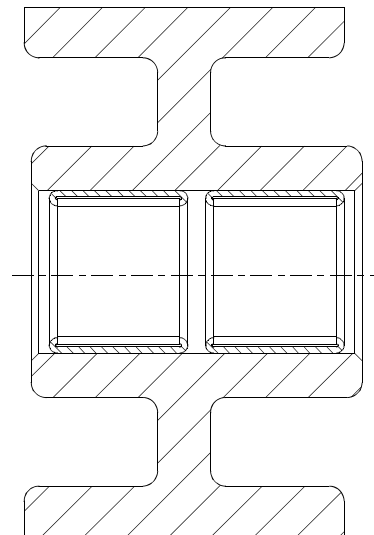
IDLERS

G&G Manufacturing Company can provide many Made to Order Idlers. Roller chain and flat belt idlers can also be produced.

**SEND YOUR SAMPLE PARTS OR
PRINTS FOR QUOTATION.**



Roller Chain
Idlers



Pulley Idlers



OMAHA, NEBRASKA
 (402) 453-9595
 1-800-442-6009
 FAX (402) 453-1740

SPLINES

G&G Manufacturing Company can provide many Made to Order Splined parts. Machined shafts with tapers, bearing surfaces, grooves or drilled and tapped holes are available in a variety of sizes and styles. A multitude of materials can be used to produce these items.

SEND YOUR SAMPLE OR PRINTS FOR QUOTATION.



8/16 - 30°
Flat Root



16/32 - 30°
Flat Root &
Fillet Root



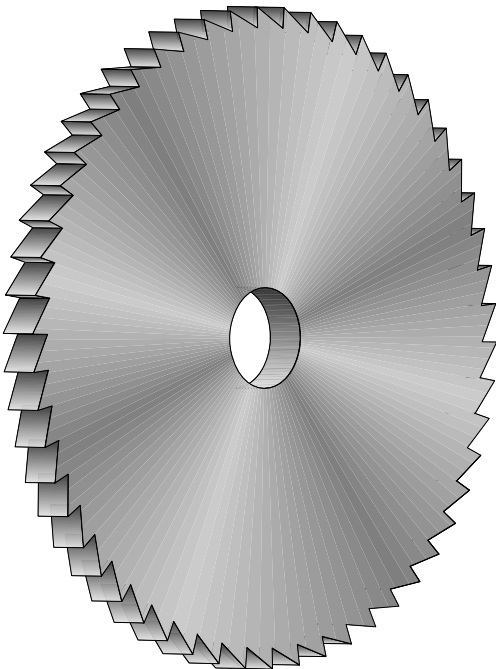
12/24 - 30°
Flat Root



24/48 - 30°
Flat Root

OTHERS AVAILABLE ON REQUEST

RATCHET TOOTH SPROCKETS



G&G Manufacturing Company can provide many Made to Order Ratchet Tooth Sprockets. Pitches available include:

1/8, 1/2, 9/16, 5/8 & 3/4

OTHERS AVAILABLE ON REQUEST

Made to Order Parts

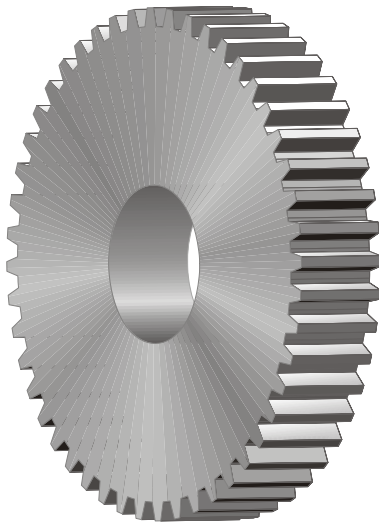
STEEL SPUR GEARS



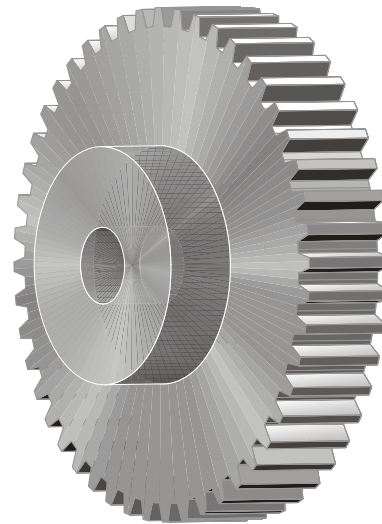
OMAHA, NEBRASKA
 (402) 453-9595
 1-800-442-6009
 FAX (402) 453-1740

G&G Manufacturing Company offers MADE TO ORDER Gears in two Styles: Type A & Type B. Both Styles are available in many sizes with various Pitches & Pressure Angles. Gears are available from six to 108 teeth with stock, finished, or special bores and in many different materials.

SEND YOUR SAMPLE PART OR PRINTS FOR QUOTATION



Type A



Type B

CURRENTLY AVAILABLE:

PRESSURE ANGLE	14-1/2°PA	20°PA	25°PA	22-1/2°PA	Stub 20°PA
DIAMETRAL PITCH	3DP	3DP	4DP	12DP	16DP
	4DP	4DP	8DP		
	5DP	5DP			
	6DP	6DP			
	7DP	8DP			
	8DP	9DP			
	10DP	10DP			
	12DP	12DP			
	16DP	16DP			

OTHERS AVAILABLE ON REQUEST



OMAHA, NEBRASKA
(402) 453-9595
1-800-442-6009
FAX (402) 453-1740

NOTES

SECTION INDEX



OMAHA, NEBRASKA
(402) 453-9595
1-800-442-6009
FAX (402) 453-1740

Bore, Keyway & Setscrew Information	188
Bore Size Identification System	188
Bore Tolerances	188
Keyway & Setscrew Sizes	188
Setscrew Locations	188
Mathematical Equations.....	191
Torque & Horsepower Information.....	189
V-Belt Drive Factor.....	190
Allowable Rim Speed	190
Arc of Contact	190
Bearing Load Calculations	190

WWW.GGMFG.COM

Toll Free

(800) 442-6009



**CATALOG
2017 - v1**

ENGINEERING INFORMATION



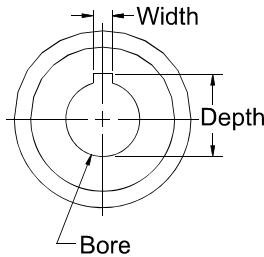
OMAHA, NEBRASKA
(402) 453-9595
1-800-442-6009
FAX (402) 453-1740

Standard Keyway & Setscrew Sizes

Bore	Keyway	Setscrew
3/8	None	--
1/2 to 9/16	1/8 x 1/16	10-24
5/8 to 7/8	3/16 x 3/32	1/4 - 20
15/16 to 1-1/4	1/4 x 1/8	5/16 - 18
1-5/16 to 1-3/8	5/16 x 5/32	3/8 - 16
1-7/16 to 1-3/4	3/8 x 3/16	3/8 - 16
1-13/16 to 2-1/4	1/2 x 1/4	1/2 - 13
2-5/16 to 2-3/4	5/8 x 5/16	1/2 - 13
2-13/16 to 3-1/4	3/4 x 3/8	5/8 - 11
3-5/16 to 3-3/4	7/8 x 7/16	5/8 - 11
3-13/16 to 4-1/2	1 x 1/2	3/4 - 10
4-9/16 to 5-1/2	1-1/4 x 5/8	3/4 - 10
5-9/16 to 6-1/2	1-1/2 x 3/4	3/4 - 10
6-9/16 to 7-1/2	1-3/4 x 3/4	7/8 - 9
7-9/16 to 9	2 x 3/4	7/8 - 9
9-1/16 to 11	2-1/2 x 7/8	7/8 - 9

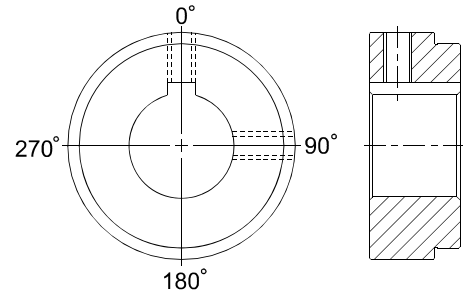
Standard Bore Tolerances

Bore	Tolerance
0 to 2	+0.002, -0.000
2 to 3	+0.003, -0.000
3 to 4	+0.004, -0.000
Over 4	+0.005, -0.000



Standard Setscrew Locations

If one setscrew is furnished the location will be 0°. If two setscrews are furnished the locations will be 0° and 90°, unless otherwise specified.



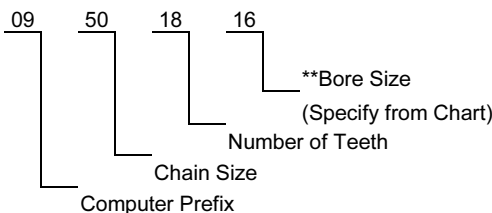
Standard Keyway Dimensions

Bore	Width	Depth	Bore	Width	Depth	Bore	Width	Depth	Bore	Width	Depth	Bore	Width	Depth
1/2	1/8	.555	2	1/2	2.218	3-5/8	7/8	4.010	5-1/4	1-1/4	5.802	6-7/8	1-3/4	7.640
9/16	1/8	.618	2-1/16	1/2	2.283	3-11/16	7/8	4.074	5-5/16	1-1/4	5.865	6-15/16	1-3/4	7.704
5/8	3/16	.704	2-1/8	1/2	2.345	3-3/4	7/8	4.137	5-3/8	1-1/4	5.928	7	1-3/4	7.767
11/16	3/16	.768	2-3/16	1/2	2.409	3-13/16	1	4.248	5-7/16	1-1/4	5.992	7-1/16	1-3/4	7.831
3/4	3/16	.832	2-1/4	1/2	2.472	3-7/8	1	4.312	5-1/2	1-1/4	6.055	7-1/8	1-3/4	7.894
13/16	3/16	.895	2-5/16	5/8	2.584	3-15/16	1	4.375	5-9/16	1-1/2	6.213	7-3/16	1-3/4	7.958
7/8	3/16	.959	2-3/8	5/8	2.646	4	1	4.438	5-5/8	1-1/2	6.277	7-1/4	1-3/4	8.021
7/8	1/4	.982	2-7/16	5/8	2.711	4-1/16	1	4.502	5-11/16	1-1/2	6.340	7-5/16	1-3/4	8.084
15/16	1/4	1.046	2-1/2	5/8	2.773	4-1/8	1	4.565	5-3/4	1-1/2	6.404	7-3/8	1-3/4	8.148
1	1/4	1.109	2-9/16	5/8	2.837	4-3/16	1	4.629	5-13/16	1-1/2	6.467	7-7/16	1-3/4	8.211
1-1/16	1/4	1.173	2-5/8	5/8	2.900	4-1/4	1	4.692	5-7/8	1-1/2	6.531	7-1/2	1-3/4	8.274
1-1/8	1/4	1.236	2-11/16	5/8	2.964	4-5/16	1	4.755	5-15/16	1-1/2	6.594	7-9/16	2	8.433
1-3/16	1/4	1.299	2-3/4	5/8	3.027	4-3/8	1	4.819	6	1-1/2	6.658	7-5/8	2	8.496
1-1/4	1/4	1.362	2-13/16	3/4	3.138	4-7/16	1	4.882	6-1/16	1-1/2	6.721	7-11/16	2	8.560
1-1/4	5/16	1.386	2-7/8	3/4	3.200	4-1/2	1	4.945	6-1/8	1-1/2	6.785	7-3/4	2	8.623
1-5/16	5/16	1.450	2-15/16	3/4	3.265	4-9/16	1-1/4	5.103	6-3/16	1-1/2	6.848	7-13/16	2	8.687
1-3/8	5/16	1.513	3	3/4	3.327	4-5/8	1-1/4	5.167	6-1/4	1-1/2	6.911	7-7/8	2	8.750
1-7/16	3/8	1.600	3-1/16	3/4	3.392	4-11/16	1-1/4	5.231	6-5/16	1-1/2	6.975	7-15/16	2	8.813
1-1/2	3/8	1.664	3-1/8	3/4	3.456	4-3/4	1-1/4	5.294	6-3/8	1-1/2	7.038	8	2	8.877
1-9/16	3/8	1.728	3-3/16	3/4	3.519	4-13/16	1-1/4	5.358	6-7/16	1-1/2	7.101	8-1/16	2	8.940
1-5/8	3/8	1.791	3-1/4	3/4	3.582	4-7/8	1-1/4	5.421	6-1/2	1-1/2	7.165	8-1/8	2	9.004
1-11/16	3/8	1.854	3-5/16	7/8	3.693	4-15/16	1-1/4	5.485	6-9/16	1-3/4	7.323	8-3/16	2	9.067
1-3/4	3/8	1.917	3-3/8	7/8	3.757	5	1-1/4	5.548	6-5/8	1-3/4	7.386	8-1/4	2	9.131
1-13/16	1/2	2.029	3-7/16	7/8	3.820	5-1/16	1-1/4	5.611	6-11/16	1-3/4	7.450	8-5/16	2	9.194
1-7/8	1/2	2.091	3-1/2	7/8	3.884	5-1/8	1-1/4	5.675	6-3/4	1-3/4	7.513	8-3/8	2	9.257
1-15/16	1/2	2.156	3-9/16	7/8	3.947	5-3/16	1-1/4	5.738	6-13/16	1-3/4	7.577	8-7/16	2	9.321
												8-1/2	2	9.384

Key Depth Tolerance is +.010/-000 for all standard keyways.

Bore Size Identification System

EXAMPLE:



Bore Size Chart

08 = 1/2"	23 = 1-7/16"	38 = 2-3/8"
10 = 5/8"	24 = 1-1/2"	39 = 2-7/16"
12 = 3/4"	26 = 1-5/8"	42 = 2-5/8"
14 = 7/8"	28 = 1-3/4"	43 = 2-11/16"
15 = 15/16"	30 = 1-7/8"	46 = 2-7/8"
16 = 1"	31 = 1-15/16"	47 = 2-15/16"
18 = 1-1/8"	32 = 2"	50 = 3-1/8"
19 = 1-3/16"	34 = 2-1/8"	54 = 3-3/8"
20 = 1-1/4"	35 = 2-3/16"	55 = 3-7/16"
22 = 1-3/8"	36 = 2-1/4"	

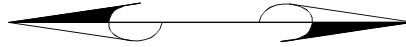


OMAHA, NEBRASKA
(402) 453-9595
1-800-442-6009
FAX (402) 453-1740

ENGINEERING INFORMATION

Torque and Horsepower Equivalents

TORQUE: A turning moment or twisting effort that can be expressed in foot-pounds or pound-feet.



A foot-pound is the amount of energy expended in lifting a one-pound mass a distance of one foot against the pull of gravity.

FOOT-POUNDS INDICATES ENERGY

$$\begin{aligned} \text{Torque (in Pound-Inches)} &= \frac{63,025 \times \text{HP}}{\text{RPM}} \\ &= \text{Force} \times \text{Lever Arm (in inches)} \end{aligned}$$

$$\begin{aligned} \text{Torque (in Pound-Feet)} &= \frac{5,252 \times \text{HP}}{\text{RPM}} \\ &= \text{Force} \times \text{Lever Arm (in Feet)} \end{aligned}$$

Force = Working Load in Pounds
FPM = Feet Per Minute
RPM = Revolutions Per Minute
Lever Arm = Distance from the Force
to the center of rotation
in Inches or Feet.

A pound-foot is the movement created by a force of one pound applied to the end of a lever arm one foot long

POUND-FEET INDICATES TORQUE

EXAMPLE:

25 HP at 150 RPM = 875 Pound-Feet Torque
2.5 HP at 150 RPM = 1050.4 Pound-Inches Torque

HORSEPOWER (HP): A common unit of mechanical power. One HP is the rate of work required to raise 33,000 pounds one foot in one minute.

$$\text{HP} = \frac{\text{Force} \times \text{FPM}}{33,000} \quad \text{HP} = \frac{\text{Torque (in Pound-Inches)} \times \text{RPM}}{63,025} \quad \text{HP} = \frac{\text{Torque (in Pound-Feet)} \times \text{RPM}}{5,252}$$

OVERHUNG LOADS: A bending force imposed on a shaft due to the torque transmitted by V-drives, chain drives and other power transmission devices, other than flexible couplings.

Most motor and reducer manufacturers list the maximum values allowable for overhung loads. It is desirable that these figures be compared with the load actually imposed by the connected drive.

$$\begin{aligned} \text{O.H.L.} &= \frac{63,000 \times \text{HP} \times \text{F}}{\text{N} \times \text{R}} \\ \text{HP} &= \text{Transmitted HP} \times \text{service factor} \\ \text{N} &= \text{RPM of shaft} \\ \text{R} &= \text{Radius of sprocket, pulley, etc.} \\ \text{F} &= \text{Factor} \end{aligned}$$

1.00	for single chain drives
1.10	for Timing belt drives
1.25	for spur or helical gear
1.25	for double chain drives
1.50	for V-belt drives
2.50	for flat belt drives

Weights of the drive components are usually negligible. The formula is based on the assumption that the load is applied at appoint equal to one shaft diameter from the bearing face. Factor F depends on the type of drive used.
EXAMPLE: Find the over hung load imposed on a reducer by a double chain drive transmission 7 HP @ 30 RPM. The pitch diameter of the sprockets is 10", service factor is 1.3.

$$\text{O.H.L.} = \frac{(63,000) (7 \times 1.3) (1.25)}{30 \times 5}$$

ENGINEERING INFORMATION



OMAHA, NEBRASKA
(402) 453-9595
1-800-442-6009
FAX (402) 453-1740

V-BELT DRIVE FACTORS

Arc of contact correction Factors G & R

D-d C	Arc of Contact*	Factor G	Factor R	D-d C	Arc of Contact*	Factor G	Factor R
.00	180	1.00	1.000	.80	133	.87	.917
.10	174	.99	.999	.90	127	.85	.893
.20	169	.97	.995	1.00	120	.82	.866
.30	163	.96	.989	1.10	113	.80	.835
.40	157	.94	.980	1.20	106	.77	.800
.50	151	.93	.968	1.30	99	.73	.760
.60	145	.91	.954	1.40	91	.70	.714
.70	139	.89	.937	1.50	83	.65	.661

*Small Sheave

*Small Sheave

D = Diameter of large sheave d = Diameter of small sheave
C = Center distance

Allowable Sheave Rim Speed

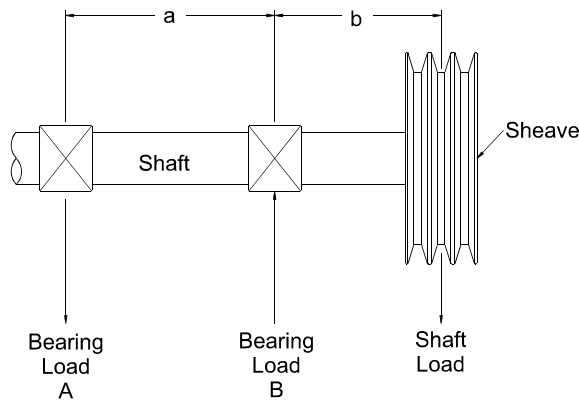
Sheave Material	Rim Speed**
Cast Iron	6,500
Ductile Iron	8,000
Steel	10,000

** Feet per Minute

NOTE: Above rim speed values are maximum for normal considerations. In some cases, these values may be exceeded. Consult factory and include complete details of proposed application.

Bearing Load Calculations

To find actual bearing loads it is necessary to know machine components weights and values of all other forces contributing to the load. Sometimes it becomes desirable to know the bearing load imposed by the V-belt drive alone. This can be done if you know bearing spacing with respect to the sheave center and shaft load and apply to the formulas.

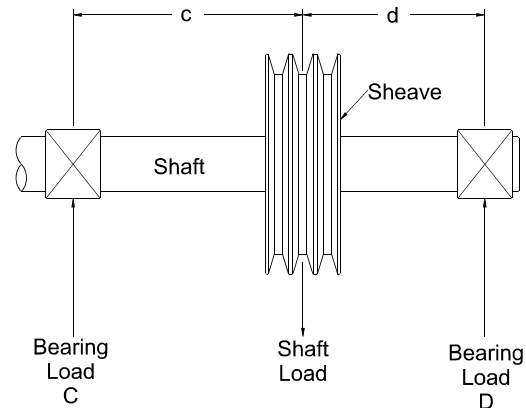


OVERHUNG SHEAVE

$$\text{Load at B in pounds} = \frac{\text{Shaft Load} \times (a + b)}{a}$$

$$\text{Load at A in pounds} = \text{Shaft load} \times \frac{b}{a}$$

a and b = Spacing in inches



SHEAVE BETWEEN BEARINGS

$$\text{Load at D in pounds} = \frac{\text{Shaft Load} \times c}{c + d}$$

$$\text{Load at C in pounds} = \frac{\text{Shaft Load} \times d}{c + d}$$

c and d = Spacing in inches

SHORT CUTS TO FIGURING PUMP DRIVES

D = Diameter of Pump Sheave^
d = Diameter of Engine Sheave^

SPM = Strokes per Minute

RPM = Engine Speed in Revolutions per Minute

R = Gear Box Ratio

C = Shaft Center Distance^

^ Required values to determine belt length.

$$D = \frac{\text{RPM} \times d}{\text{SPM} \times R} \quad \text{RPM} = \frac{\text{SPM} \times R \times D}{d}$$

$$d = \frac{\text{SPM} \times R \times D}{\text{RPM}} \quad R = \frac{\text{RPM} \times d}{\text{SPM} \times D}$$

$$\text{SPM} = \frac{\text{RPM} \times d}{R \times D} \quad \text{Belt Length} = 2C + 1.57(D + d) + \frac{(D - d)^2}{4C}$$



OMAHA, NEBRASKA
(402) 453-9595
1-800-442-6009
FAX (402) 453-1740

ENGINEERING INFORMATION

Mathematical Equations

To find the circumference of a circle, multiply the diameter by 3.1416

To find the diameter of a circle, multiply the circumference by .31831.

To find the area of a circle, multiply the square of the diameter by .7854.

To find the area of a rectangle, multiply the length by the width.

To find the area of a triangle, multiply the base by 1/2 the perpendicular height.

To find the area of an ellipse, multiply the product of both diameters by .7854

To find the area of a parallelogram, multiply the base by the altitude.

To find the side of an inscribed square, multiply the diameter by .7071 or multiply the circumference by .2251 or divide the circumference by 4.4428.

To find the side of an inscribed cube, multiply the radius of the sphere by 1.1547

To find the side of a square of equal area of a circle, multiply the diameter by .8862

To find the surface of a sphere, square the diameter and multiply by 3.1416

To find the volume of a sphere, cube the diameter and multiply by .5236.

A side of a square multiplied by 1.4142 equals the diameter of it's circumscribing circle.

The side of a square multiplied by 1.128 equals the diameter of a circle of equal area.

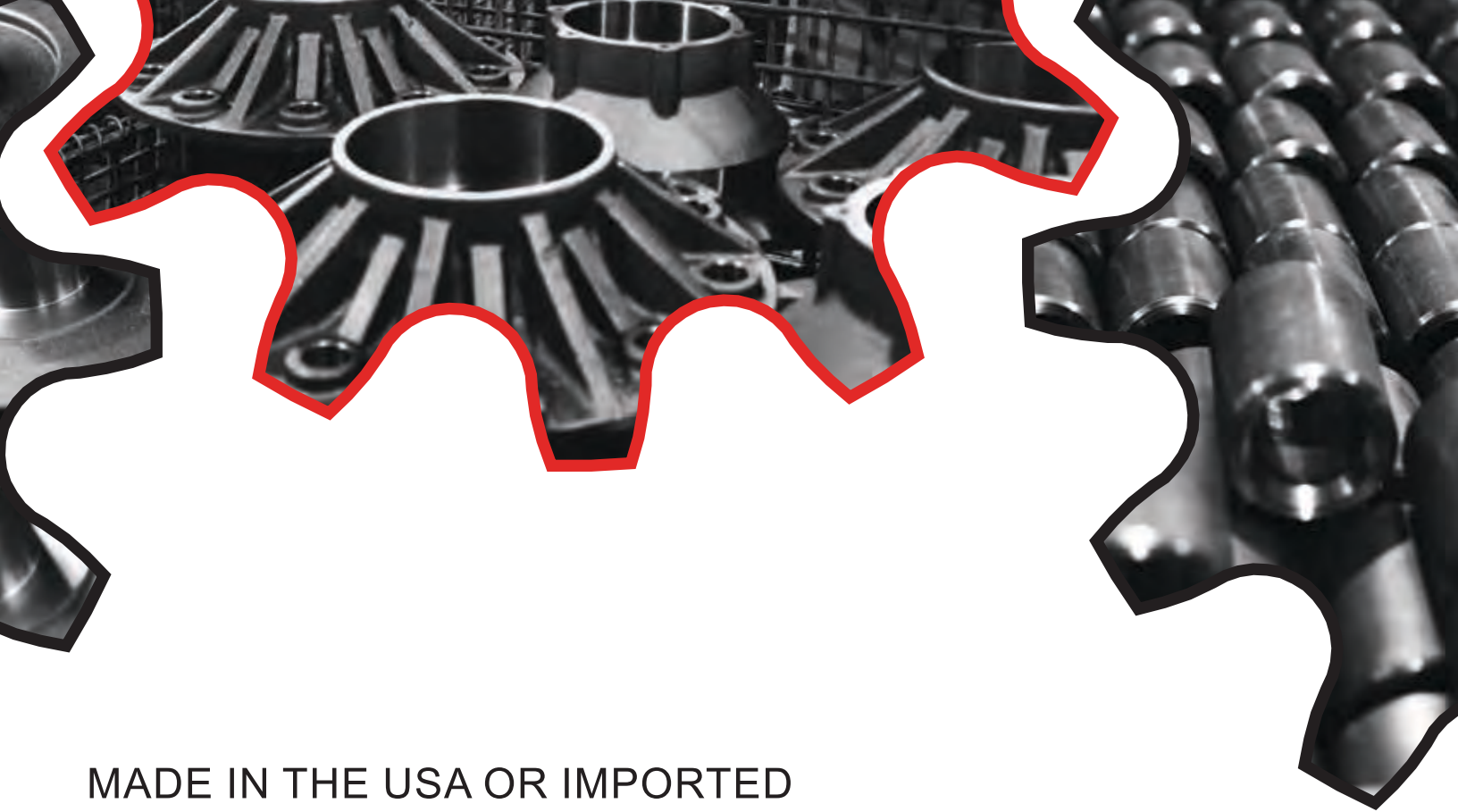
To find the gallon capacity of a tank (given the dimensions of the cylinder in inches), square the diameter of the cylinder the multiply by the length and by .0034

NOTES

WWW.GGMFG.COM

Toll Free

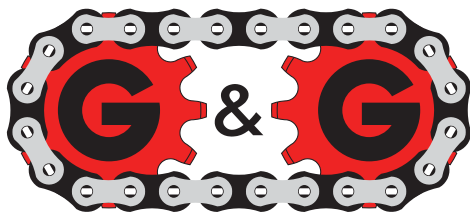
(800) 442-6009



MADE IN THE USA OR IMPORTED

BEST OF BOTH WORLDS





MANUFACTURING CO.
est. 1943

G&G MANUFACTURING CO.
4432 MCKINLEY STREET • OMAHA, NE 68112 • 402.453.9595 • WWW.GGMFG.COM