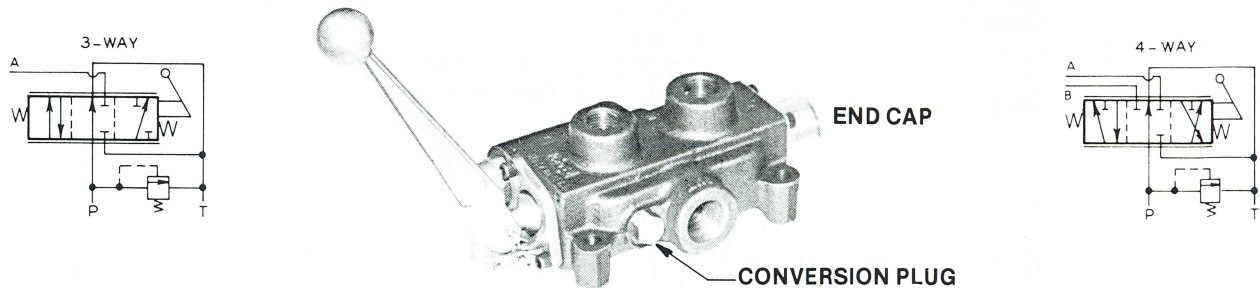




HYDRAULIC VALVES

**DIRECTIONAL CONTROL
CV SERIES**
Technical/Service Sheet



The CROSS series CV (CONVERTA) valve is a highly versatile 3-way or 4-way, 3 position directional control valve for use with either double-acting or single-acting cylinders.

SPECIFICATIONS

Rated working pressure	.2000 psi (138 bar)
Maximum shock and surge pressure	.4000 psi (276 bar)
Rated flow capacity	.25 gpm (94.6 l/m)
Relief valve setting	.2000 psi (138 bar) at 10 gpm (37.8 l/m)
Ports	.3/4" NPTF inlet and outlet, 1/2" NPTF work (cylinder)
Basic spool type	.4-way, 3-position, spring centered, open (tandem) center
Shipping weight (boxed)	.9 lbs. (4 Kg)

CONVERSION

Included in the CV package is a 3-way cylinder port plug and a 3-way conversion plug. To convert from the basic 4-way (double-acting) to a 3-way (single-acting):

1. Insert the cylinder port plug (P/N 2A0349-8) into cylinder port "A" (port nearest handle).
2. Remove the conversion plug (P/N 1V0277), ie, the hex nut located adjacent to the outlet port, (as shown above).
3. Insert the 3-way conversion plug (P/N 2A0354-108).

The valve is now converted for use with a single-acting cylinder or uni-directional motor. (Save the 4-way conversion plug for later reconverting back to 4-way operation).

DETENT KIT

To change from the standard spring centered version to a 3-position detent, order Detent Kit P/N 1V0294. Convert as follows:

1. Remove end cap
2. Remove spring centering mechanism
3. Install detent kit
4. Replace end cap

The valve is now converted from spring centered to 3-position detent.

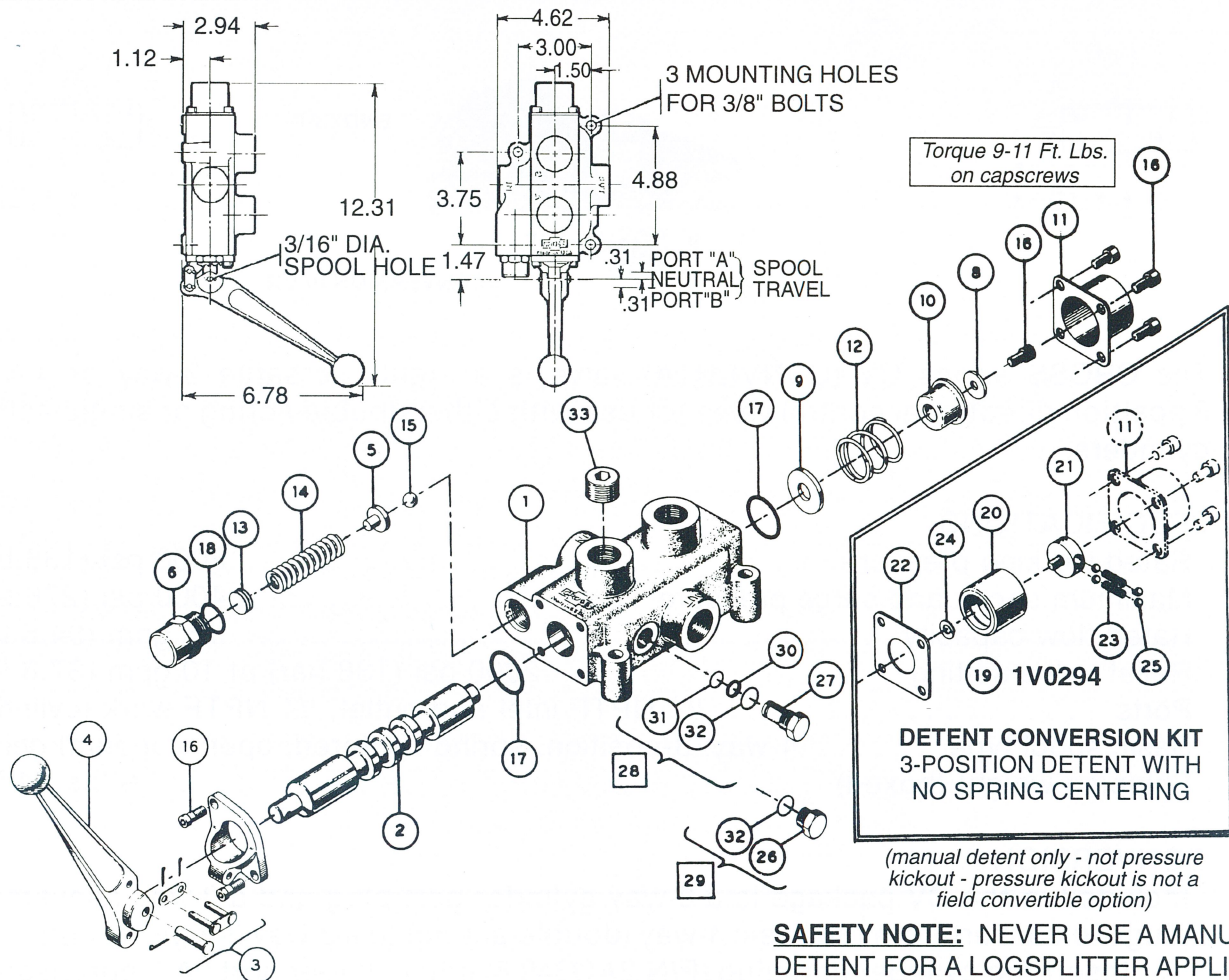
NOTE: This valve is not intended for use in lifting circuits.

See reverse side for complete parts list, exploded view, and dimensions.

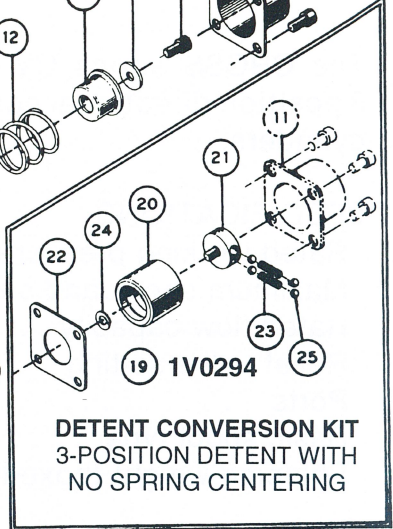
See Directional Control Valve Specification sheet "C Series" for additional information.



DIMENSIONAL DATA:



Torque 9-11 Ft. Lbs.
on capscrews



DETENT CONVERSION KIT
3-POSITION DETENT WITH
NO SPRING CENTERING

(manual detent only - not pressure
kickout - pressure kickout is not a
field convertible option)

SAFETY NOTE: NEVER USE A MANUAL
DETENT FOR A LOGSPLITTER APPLICATION

Part Number	Description	QTY.
1 1V0278 *	VALVE HOUSING	1
2 1V0003 *	SPOOL	1
3 1V1702	PIN KIT	1
4 1V1703	HANDLE	1
5 1R0014	RELIEF SPRING GUIDE	1
6 1R0028	RELIEF PLUG	1
7 4Z4306	HANDLE BRACKET	1
8 1A0290	CENTERING SPRING WASHER	1
9 1A0291	STOP WASHER	1
10 1A0292	STOP COLLAR	1
11 1A0294P	END CAP	1
12 1A0744	CENTERING SPRING	1
13 1A0682	SHIM	AS REQU'D
14 1A0685	RELIEF SPRING (2250-1750)	1
15 2A0017-14	BALL (7/16 STEEL)	1
16 2A0079-404N	MACHINE SCREW	7
17 2A0283-7214	SPOOL O-RING	2
18 2A0283-9910	RELIEF PLUG O-RING	1

Part Number	Description	QTY.
SPECIAL PARTS FOR 3-POSITION DETENT NO SPRING CENTERING OPTION		
19 1V0294	DETENT CONV. KIT	AS REQU'D
20 1V0269	DETENT SLEEVE	1
21 1V0272	DETENT RETAINER	1
22 1A0710	RETAINER PLATE	1
23 1A0739	DETENT SPRING	2
24 2A0736-104P	LOCKWASHER	1
25 2A0017-8	BALL (1/4 STEEL)	4
CONVERSION PARTS		
26 2A0354-8	3-WAY CONV. PLUG	1
27 1V0276	4-WAY CONV. PLUG	1
28 1V0277	4-WAY CONV. PLUG ASS'Y.	1
29 2A0354-108	3-WAY CONV. PLUG ASS'Y.	1
30 2A0012-010	BACK-UP SEAL	1
31 2A0283-7010	O-RING	1
32 2A0283-9905	O-RING	2
33 2A0349-8	3-WAY PORT PLUG, 1/2"NPTF	1
2V0001	REPLACEMENT SEAL KIT	

* The factory select-fit honing process, which fits a spool to an individual valve body, eliminates the possibility of ordering the valve body or spool as separate items.



CROSS MANUFACTURING, INC.
100 James H. Cross Blvd.
Lewis, Kansas 67552
Phone 620/324-5525; FAX 620/324-5737; e-mail: info@crossmfg.com