

How to order 4S/6S fittings

Accurate processing and prompt delivery of your order depends on easy identification of your requirements. Please order Eaton brand parts using correct part numbers as described in this catalog. Inquiries and orders should be directed to your Eaton Fluid Conveyance Distributor or:

Eaton

14615 Lone Oak Rd.
Eden Prairie, MN 55344
1-952-937-9800
1-888-258-0222
Fax: 952-974-7722
www.eaton.com/hydraulics

Part numbers and dash sizes

Dash size designates the nominal size of 16ths of an inch or tube O.D. in mm. This number immediately follows the part number and is separated from it with a dash.

Dimensions

Dimensions given in this catalog for Eaton products are approximate and should be used for reference only. Exact dimensional information for a given product is subject to change and varying tolerances; contact Eaton directly for full current information.

Globally standardized pressure ratings

Eaton has standardized hose burst and operating pressure ratings in cataloging, worldwide. This move toward standardization will slightly alter some of the pressure ratings listed for hoses in this catalog as pressures are rounded off. This is a paper conversion only. This action has no effect on the actual testing and certification of Eaton hoses to stringent product standards.

Label Set - FF91420



Warning

Hose assemblies

Eaton manufactures the terminal ends of our hose fittings to the appropriate requirements established by the SAE. Therefore, the performance ratings of these hose fittings meet or exceed the SAE requirements. It is possible to order a hose assembly with a fitting terminal end that has a performance rating lower than the hose rating.

When ordering hose assemblies, please keep the connecting end performance rating in mind since this may affect overall hose assembly performance. Hose assembly components (hose and fittings) are easily assembled in the field. However, factory assembled reusable and crimped hose assemblies are available. For complete information, contact Eaton.

Socket data

Markings on crimp fittings

Use of correct Eaton fitting with a given Eaton hose is essential for proper assembly and performance. All Eaton 4S/6S fittings are marked with the product group, 4S or 6S, and the dash size.

Global identification marking

Global non-skive fitting sockets for four-spiral and six-spiral hose in all sizes have four or six rings plus a scribe mark and either 4S-size or 6S-size etched on the socket. Global hose fittings are identified with an Eaton trademark and the hose dash size. In addition, global sockets are identified with the following:

Identification marking	Fitting style	Hose/Socket description
4 rings 1 scribe mark and 4S socket 4S-(size)	Spiral non-skive	Four spiral wire hose
6 rings 1 scribe mark and 6S socket 6S-(size)	Spiral non-skive	Six spiral wire hose

4S Fitting



4S Socket



6S Fitting



6S Socket



Weatherhead catalog hose fitting size reference

Example

SAE JIC/37° Female Swivel – Straight for “4S” series

- Eaton global fitting part # 4SA12FJ16 (must order part using this part #)
- Weatherhead size reference # 16-612 (for reference only – cannot order part using this number)
 - Hose size: -16
 - Fitting terminal end size & type: -612

View of fitting section in catalog:

4SA12FJ16 (16-612)

Example

SAE Code 61 Flange – Straight for “6S” series

- Eaton global fitting part # 6S32FL24 (must order part using this part #)
- Weatherhead size reference # 24-G32 (for reference only – cannot order part using this number)
 - Hose size: -24
 - Fitting terminal end size & type: -G32

View of fitting section in catalog:

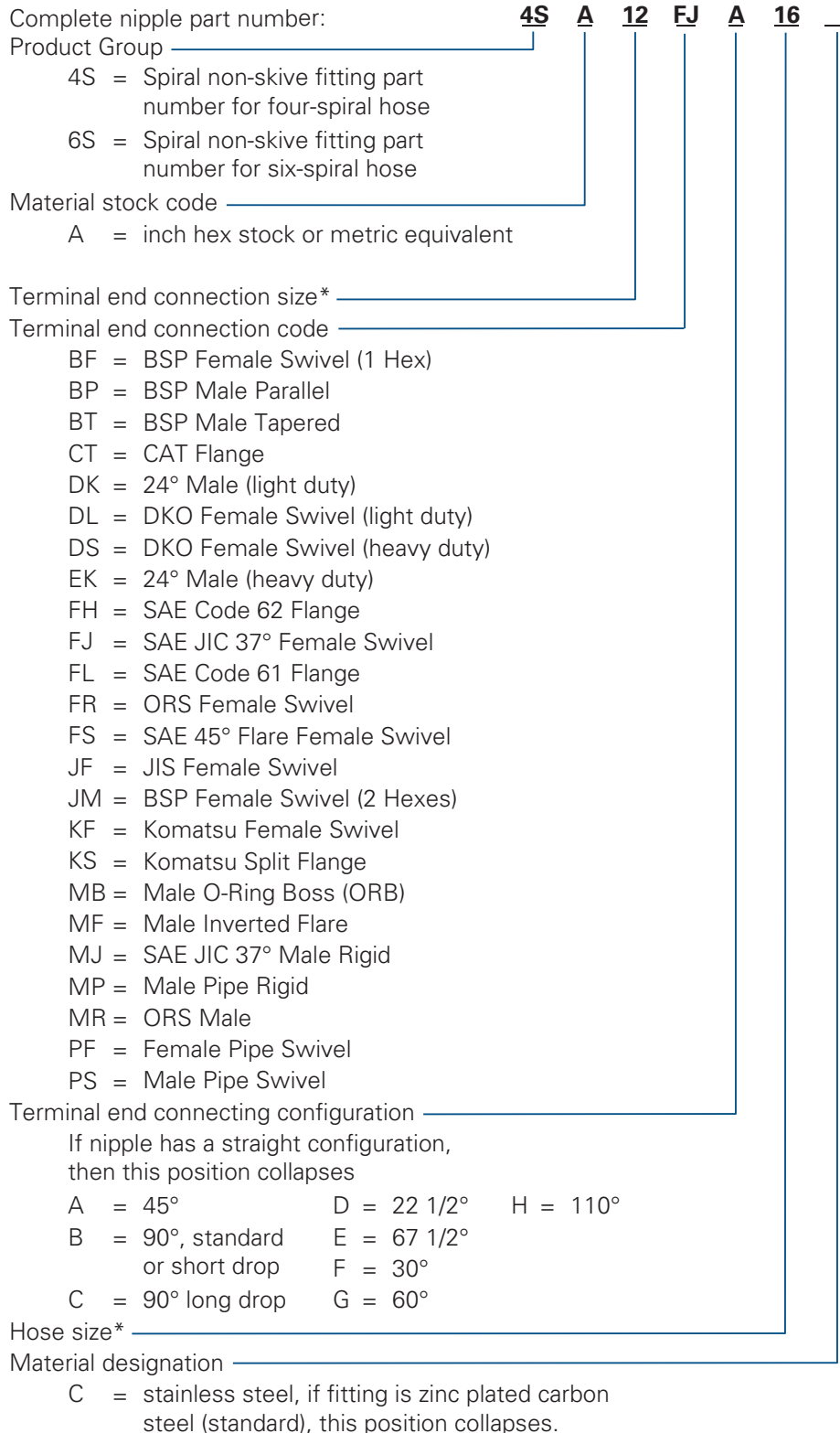
6S32FL24 (24-G32)

Crimp fittings

Spiral hose fittings
(4S/6S Series)

H Eaton's 4S/6S hose fitting part numbering system

Global crimp nipples/fittings



* When ordering sizes 3, 4, 5, 6 and 8 the part number requires only single digits

Hose fitting pressure chart for 4S/6S fittings only

Thread style pressure performance

Eaton closely follows industry standards in design and in application recommendations. A key principle within ISO, SAE and other standards bodies is that the **MAXIMUM WORKING PRESSURE OF THE HOSE OR ADAPTER ASSEMBLY IS THE LESSER OF THE HOSE AND END**

CONNECTOR(S) USED. The first table below provides excerpts from standard Industry pressure rating charts for connector types as Published by SAE (Society of Automotive Engineers.)

Note: The tables below are applicable for low carbon free machining steels typically used in Fluid Power connections. For port type connections, the material and design of the port must be considered and may reduce expected strength. For high pressure applications Eaton recommends the use of more robust connector designs such as Code 62 flange or O-Ring face seal (ORS).

Selected SAE pressure ratings

Dash size	Inch size	37° JIC SAE J514	Pipe SAE J476	Male ORB SAE J1926 ORS adapt.	Male ORB SAE J1926 non-ORS adapt.	Adjustable ORB SAE J1926 ORS adapt.	Adjustable ORB SAE J1926 non-ORS adapt.	ORS SAEJ1453	Male flareless SAE J514	Code 61 SAE J518	Code 62 SAE J518
-6	3/8	4000	4000	9000	5000	6000	4000	9000	4000	-	-
-8	1/2	4000	3000	9000	4500	6000	4000	9000	4000	5000	6000
-10	5/8	3000	-	9000	3500	6000	3000	6000	3000	-	-
-12	3/4	3000	2500	6000	3500	6000	3000	6000	3000	5000	6000
-14	7/8	2500	-	6000	3000	6000	2500	6000	2500	-	-
-16	1	2500	2000	6000	3000	5000	2500	6000	2500	5000	6000
-20	1 1/4	2000	1150	4000	2500	4000	2000	3600	2000	4000	6000
-24	1 1/2	1500	1000	4000	2500	3000	2000	3600	1500	3000	6000
-32	2	1125	1000	3000	2000	2500	1500	3000	1125	3000	6000

International pressure rating charts

Maximum working pressure (PSI)

Hose fitting connection	Hose fitting size									
	-04	-05	-06	-08	-10	-12	-16	-20	-24	-32
Male British Pipe (BSP)	5000	-	4000	4000	3500	4000	3500	2500	2,000	2000
Female British Pipe (BSP)	5000	-	4000	4000	3500	4000	3500	2500	2,000	2000
Female Pipe (JIS)	5000	-	5000	5000	-	4000	4000	-	-	-

Maximum working pressure (PSI)

Hose fitting Connection	Hose fitting size									
	-06	-08	-10	-12	-15	-18	-22	-28	-35	-42
DIN light	3625	3625	3625	3625	3625	2325	2325	1450	1450	1450

Crimp fittings

Spiral hose fittings
(4S/6S Series)

To determine the correct length of hose, subtract the cut-off factor for each end fitting from the overall length of assembly.

Hose fitting pressure chart for 4S/6S fittings only

All Eaton components

With higher pressures it is critical to know the construction materials and manufacturing method to ensure performance. When all components in a system are Eaton supplied, for example an Eaton hose fitting is mated with an Eaton adapter or tube fitting, the combination may be used at higher pressures with confidence. These higher ratings are noted in the chart below.

MAXIMUM WORKING PRESSURE OF THE HOSE OR ADAPTER ASSEMBLY IS THE LESSER OF THE HOSE AND END CONNECTOR(S) USED.

All Eaton pressure ratings

Dash size	Inch size	37° JIC	Male pipe	Female pipe	Male ORB ORS adapter	Male ORB non-ORS adapter	Adjustable ORB ORS adapter	Adjustable ORB non-ORS adapter	ORB	Male flareless	Code 61	Code 62	STC
-6	3/8	5000	8000	4000	9000	5000	6000	4000	9000	4000	-	-	5000
-8	1/2	4000	6000	4000	9000	4500	6000	4000	9000	4000	5000	6000	4250
-10	5/8	3800	-	-	9000	3500	6000	3000	9000	3000	-	-	4000
-12	3/4	5000	5000	3500	6000	3500	6000	3000	6000	3000	5000	6000	4000
-14	7/8	5000	-	-	6000	3000	6000	2500	-	2500	-	-	-
-16	1	5000	4000	3000	6000	3000	5000	2500	6000	2500	5000	6000	4000
-20	1 1/4	5000	3000	2000	4000	2500	4000	2000	4500	2000	4000	6000	-
-24	1 1/2	2100	2000	1500	4000	2500	3000	2000	4000	1500	3000	6000	-
-32	2	1750	2000	1500	3000	2000	2500	1500	3000	1125	3000	6000	-

1) These ratings are based on both brazed and one piece construction, one-piece pressures could be increased. Please contact Eaton in these situations.

2) This rating is for thin walled adapters or fittings, the use of manifolds or oversized female ports would allow full rated male pressures.

Note:

- Eaton fittings are tested to industry standards and beyond to insure a long life. All assemblies listed in the All "Eaton Pressure Ratings" table have passed impulse testing at 133% of operating pressure up to 1 million cycles and meet a 4:1 burst pressure.
- When assembled with all Eaton components, all SAE 37° JIC male and female terminal ends in the 4S & 6S product line are rated at the pressures listed in the table above and have passed one million impulse cycles at 133% of this pressure. All straight configurations achieve a 4:1 burst. The 45° and 90° elbow configurations in the -12 size meet a 3.2:1 burst the 45° and 90° elbow configurations in the -16 size achieve a 2.8:1 burst; the 45° and 90° elbow configurations in the -20 size meet a 4:1 burst and the 45° and 90° elbow configurations in the -24 size meet a 2.4:1 burst.

Design and Application

Eaton's Fluid Conveyance engineering and support teams have many decades of experience in designing, manufacturing and servicing hydraulic and other fluid conveyance systems globally. Eaton's product line is designed as a comprehensive collection of hose, fittings, connectors, couplings and accessories that allow a system designer to select components to complete a fluid power system or a service technician to replace a component with confidence. The individual

product specifications, the above pressure ratings and other technical information are intended as supporting guidelines for system design and service needs and are not to be construed as a guarantee of performance of the system or of individual Eaton components. Eaton provides comprehensive technical support so please call with questions about pressure needs not covered by these charts or for specific application support.

4S/6S Fitting series

4S Fittings

For use with hoses:

H430-6,-8,-10,-12,-16,-20,-24,-32;
H430R-6,-8,-10,-12,-16,-20,-24,-32;
H464-12,-16,-20,-24,-32;
H471-12,-16,-20,-24; EC600-12,-16;
EC525-12,-16,-20,-24,-32; EC810-12,-16

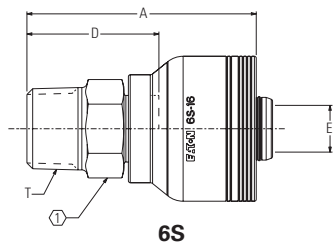
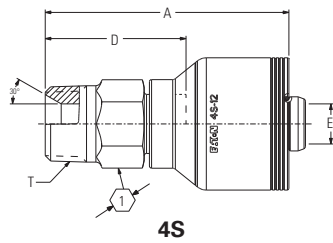
6S Fittings


For use with hoses:

H471-32;
EC600-20;
EC810-20,-24,-32

Male Pipe NPTF - Rigid (MP)

Straight



Part Number	Terminal End	Hose Size		Thread	A		D		E Ø		
	Dash size	DN	Dash size	in	mm	in	mm	in	mm	in	
4SA4MP6 (06-104)	-4	10	-6	1/4-18	51,4	2.02	30,1	1.18	6,7	0.26	11/16
4SA6MP6 (06-106)	-6	10	-6	3/8-18	55,0	2.17	32,2	1.27	6,7	0.26	11/16
4SA8MP6 (06-108)	-8	10	-6	1/2-14	53,7	2.11	32,4	1.28	6,7	0.26	7/8
4SA4MP8	-4	12	-8	1/4-18	58,5	2.30	31,3	1.23	7,7	0.30	13/16
4SA6MP8	-6	12	-8	3/8-18	60,8	2.39	33,6	1.32	9,6	0.38	13/16
4SA8MP8 (08-108)	-8	12	-8	1/2-14	71,0	2.80	40,6	1.60	9,6	0.38	7/8
4SA12MP8 (08-112)	-12	12	-8	3/4-14	62,6	2.46	35,4	1.39	9,6	0.38	1 1/16
4SA8MP10 (10-108)	-8	16	-10	1/2-14	66,2	2.61	40,1	1.58	12,8	0.50	15/16
4SA12MP10 (10-112)	-12	16	-10	3/4-14	61,7	2.43	35,6	1.40	12,8	0.50	1 1/16
4SA8MP12 (12-108)	-8	19	-12	1/2-14	84,6	3.33	48,4	1.90	14,2	0.56	7/8
4SA12MP12 (12-112)	-12	19	-12	3/4-14	85,9	3.38	49,6	1.95	14,2	0.56	1 1/16
4SA16MP12 (12-116)	-16	19	-12	1-11 1/2	84,8	3.34	48,6	1.91	14,2	0.56	1 3/8
4SA12MP16 (16-112)	-12	25	-16	3/4-14	89,1	3.51	49,2	1.94	19,2	0.75	1 3/8
4SA16MP16 (16-116)	-16	25	-16	1-11 1/2	94,0	3.70	54,1	2.13	19,2	0.75	1 3/8
4SA20MP16 (16-120)	-20	25	-16	1 1/4-11 1/2	90,4	3.56	50,5	1.99	19,2	0.75	1 11/16
4SA16MP20 (20-116)	-16	31	-20	1-11 1/2	107,6	4.24	52,5	2.07	25,2	0.99	1 7/16
4SA20MP20 (20-120)	-20	31	-20	1 1/4-11 1/2	119,6	4.71	64,4	2.54	25,2	0.99	1 11/16
4SA24MP24 (24-124)	-24	38	-24	1 1/2-11 1/2	143,2	5.64	65,2	2.57	31,1	1.22	2
4SA32MP32 (32-132)	-32	51	-32	2-11 1/2	150,1	5.91	72,1	2.84	42,1	1.66	2 1/2
6S	Dash size	DN	Dash size	in	mm	in	mm	in	mm	in	in
6SA20MP20 (20-120)	-20	31	-20	1 1/4-11 1/2	120,4	4.74	64,4	2.54	25,2	0.99	1 11/16
6SA24MP24 (24-124)	-24	38	-24	1 1/2-11 1/2	143,2	5.64	65,2	2.57	31,1	1.22	2
6SA32MP32 (32-132)	-32	51	-32	2-11 1/2	150,1	5.91	72,1	2.84	42,1	1.66	2 1/2

Crimp fittings

Spiral hose fittings
(4S/6S Series)

4S Fittings

For use with hoses:

H430-6,-8,-10,-12,-16,-20,-24,-32;
H430R-6,-8,-10,-12,-16,-20,-24,-32;
H464-12,-16,-20,-24,-32;
H471-12,-16,-20,-24; EC600-12,-16;
EC525-12,-16,-20,-24,-32; EC810-12,-16

6S Fittings

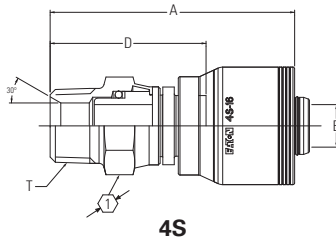
For use with hoses:

H471-32;
EC600-20;
EC810-20,-24,-32

H

Male Pipe NPTF Swivel (PS)

Straight

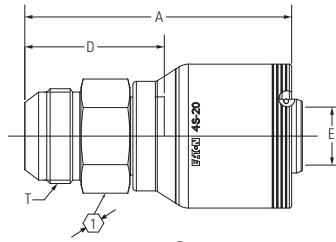


4S

Part Number	Terminal End	Hose Size		Thread	A		D Cut Off Factor		E Ø		1
		DN	Dash size		in	mm	in	mm	in	mm	
4SA16PS16 (16-J16)	-16	25	-16	1-11 1/2	110,2	4.34	70,1	2.76	19,2	0.75	1 1/2

Male JIC/37° - Rigid (MJ)

Straight



4S

Part Number	Terminal End	Hose Size		Thread	A		D		E Ø		1
		DN	Dash size		in	mm	in	mm	in	mm	
4SA6MJ6 (06-506)	-6	10	-6	9/16-18	53,7	2.12	31,0	1.22	6,7	0.26	11/16
4SA8MJ6 (06-508)	-8	10	-6	3/4-16	49,4	1.94	28,1	1.11	6,7	0.26	13/16
4SA8MJ8 (08-508)	-8	12	-8	3/4-16	65,8	2.59	35,5	1.40	9,6	0.38	13/16
4SA10MJ8 (08-510)	-10	12	-8	7/8-14	59,1	2.33	31,9	1.26	9,6	0.38	15/16
4SA12MJ8	-12	12	-8	1 1/16-12	63,4	2.50	36,2	1.43	9,6	0.38	1 1/8
4SA10MJ10 (10-510)	-10	16	-10	7/8-14	69,4	2.73	40,5	1.59	12,3	0.48	15/16
4SA12MJ10 (10-512)	-12	16	-10	1 1/16-12	62,4	2.46	36,4	1.43	12,8	0.50	1 1/8
4SA10MJ12 (12-510)	-10	19	-12	7/8-14	84,3	3.32	48,2	1.90	12,3	0.48	15/16
4SA12MJ12 (12-512)	-12	19	-12	1 1/16-12	86,9	3.42	50,8	2.00	14,2	0.56	1 1/8
4SA14MJ12 (12-514)	-14	19	-12	1 3/16-12	83,1	3.27	47,0	1.85	14,2	0.56	1 1/4
4SA16MJ12 (12-516)	-16	19	-12	1 5/16-12	83,6	3.29	47,5	1.87	14,2	0.56	1 3/8
4SA16MJ16 (16-516)	-16	25	-16	1 5/16-12	93,7	3.69	54,0	2.13	19,2	0.75	1 3/8
4SA20MJ16 (16-520)	-20	25	-16	1 5/8-12	99,6	3.92	60,0	2.36	19,2	0.76	1 11/16
4SA20MJ20 (20-520)	-20	31	-20	1 5/8-12	115,7	4.56	60,5	2.38	25,2	0.99	1 11/16
4SA24MJ24 (24-524)	-24	38	-24	1 7/8-12	151,3	5.96	73,3	2.89	31,1	1.22	2
4SA32MJ32 (32-532)	-32	51	-32	2 1/2-12	163,8	6.45	85,8	3.38	42,1	1.66	2 5/8

⚠ Refer to note below.

⚠ When assembled with all Eaton components, all SAE 37° JIC male and female terminal ends in the 4S & 6S product line are rated at the pressures listed and have passed one million impulse cycles at 133% of this pressure. All straight configurations achieve a 4:1 burst. The 45° and 90° elbow configurations in the -12 size meet a 3.2:1 burst the 45° and 90° elbow configurations in the -16 size achieve a 2.8:1 burst; the 45° and 90° elbow configurations in the -20 size meet a 4:1 burst and the 45° & 90° elbow configurations in the -24 size meet a 2.4:1 burst.

4S Fittings

For use with hoses:

H430-6,-8,-10,-12,-16,-20,-24,-32;
H430R-6,-8,-10,-12,-16,-20,-24,-32;
H464-12,-16,-20,-24,-32;
H471-12,-16,-20,-24; EC600-12,-16;
EC525-12,-16,-20,-24,-32; EC810-12,-16

6S Fittings

For use with hoses:

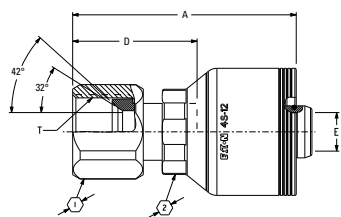
H471-32;
EC600-20;
EC810-20,-24,-32

Crimp fittings

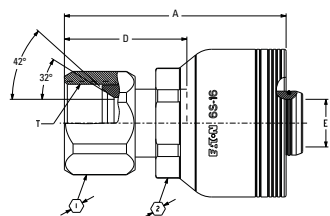
Spiral hose fittings
(4S/6S Series)

Female JIC/37° Swivel (FJ)

Straight



4S



6S

⚠ Refer to note below.

⚠ When assembled with all Eaton components, all SAE 37° JIC male and female terminal ends in the 4S & 6S product line are rated at the pressures listed and have passed one million impulse cycles at 133% of this pressure. All straight configurations achieve a 4:1 burst. The 45° and 90° elbow configurations in the -12 size meet a 3.2:1 burst the 45° and 90° elbow configurations in the -16 size achieve a 2.8:1 burst; the 45° and 90° elbow configurations in the -20 size meet a 4:1 burst and the 45° & 90° elbow configurations in the -24 size meet a 2.4:1 burst.

Part Number	Terminal End		Hose Size		Thread		A		D		E Ø		1		2	
	Dash size	DN	Dash size	in	mm	in	mm	in	mm	in	mm	in	mm	in	in	
4SA4FJ6 (06-604)	-4	10	-6	7/16-20	51,6	2.03	30,3	1.19	4,4	0.17	14,3	9/16	11/16			
4SA6FJ6 (06-606)	-6	10	-6	9/16-18	53,0	2.09	32,2	1.27	6,7	0.26	17,5	11/16	11/16			
4SA8FJ6 (06-608)	-8	10	-6	3/4-16	54,8	2.16	34,0	1.34	6,7	0.26	22,2	7/8	11/16			
4SA6FJ8 (08-606)	-6	12	-8	9/16-18	68,3	2.69	38,0	1.50	9,6	0.38	17,5	11/16	11/16			
4SA8FJ8 (08-608)	-8	12	-8	3/4-16	64,8	2.55	36,7	1.44	9,6	0.38	22,2	7/8	7/8			
4SA10FJ8 (08-610)	-10	12	-8	7/8-14	67,3	2.65	39,2	1.54	9,6	0.38	25,4	1	7/8			
4SA12FJ8 (08-612)	-12	12	-8	1 1/16-12	68,5	2.70	40,4	1.59	9,6	0.38	31,8	1 1/4	7/8			
4SA10FJ10 (10-610)	-10	16	-10	7/8-14	66,1	2.60	40,6	1.60	12,8	0.50	25,4	1	1 1/16			
4SA12FJ10 (10-612)	-12	16	-10	1 1/16-12	67,1	2.64	41,5	1.63	12,8	0.50	31,8	1 1/4	1 1/16			
4SA10FJ12 (12-610)	-10	19	-12	7/8-14	75,0	2.95	38,8	1.53	12,3	0.48	30,0	1 3/16	1			
4SA12FJ12 (12-612)	-12	19	-12	1 1/16-12	82,0	3.23	45,7	1.80	14,2	0.56	30,0	1 3/16	1 1/4			
4SA14FJ12 (12-614)	-14	19	-12	1 3/16-12	77,5	3.05	41,3	1.63	14,2	0.56	30,0	1 3/16	1 3/8			
4SA16FJ12 (12-616)	-16	19	-12	1 5/16-12	80,2	3.16	44,0	1.73	14,2	0.56	30,0	1 3/16	1 1/2			
4SA12FJ16 (16-612)	-12	25	-16	1 1/16-12	78,8	3.10	39,1	1.54	15,5	0.61	41,0	1 5/8	1 1/4			
4SA16FJ16 (16-616)	-16	25	-16	1 5/16-12	89,2	3.51	49,3	1.94	19,2	0.76	41,0	1 5/8	1 1/2			
4SA20FJ16 (16-620)	-20	25	-16	1 5/8-12	85,8	3.38	46,0	1.81	19,2	0.76	41,0	1 5/8	2			
4SA16FJ20 (20-616)	-16	31	-20	1 5/16-12	99,1	3.90	43,7	1.72	25,2	0.99	46,0	1 13/16	1 1/2			
4SA20FJ20 (20-620)	-20	31	-20	1 5/8-12	101,6	4.00	46,3	1.82	25,2	0.99	46,0	1 13/16	2			
4SA24FJ20 (20-624)	-24	31	-20	1 7/8-12	106,8	4.20	51,5	2.03	25,2	0.99	46,0	1 13/16	2 1/4			
4SA24FJ24 (24-624)	-24	38	-24	1 7/8-12	134,9	5.31	56,8	2.24	31,1	1.22	57,0	2 1/4	2 1/4			
4SA32FJ32 (32-632)	-32	51	-32	2 1/2-12	146,0	5.75	68,0	2.68	42,1	1.66	73,0	2 7/8	2 7/8			
6S	Dash size	DN	Dash size	in	mm	in	mm	in	mm	in	mm	in	in			
6SA20FJ20 (20-620)	-20	31	-20	1 5/8-12	102,3	4.03	46,3	1.82	25,2	0.99	46,0	1 13/16	2			
6SA24FJ20 (20-624)	-24	31	-20	1 7/8-12	107,5	4.23	51,5	2.03	25,2	0.99	46,0	1 13/16	2 1/4			
6SA24FJ24 (23-624)	-24	38	-24	1 7/8-12	134,9	5.31	56,8	2.24	31,1	1.22	57,0	2 1/4	2 1/4			
6SA32FJ32 (32-632)	-32	51	-32	2 1/2-12	146,0	5.75	68,0	2.68	42,1	1.66	73,0	2 7/8	2 7/8			

Crimp fittings

Spiral hose fittings
(4S/6S Series)

4S Fittings

For use with hoses:

H430-6,-8,-10,-12,-16,-20,-24,-32;
H430R-6,-8,-10,-12,-16,-20,-24,-32;
H464-12,-16,-20,-24,-32;
H471-12,-16,-20,-24; EC600-12,-16;
EC525-12,-16,-20,-24,-32; EC810-12,-16

6S Fittings

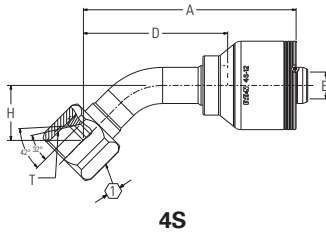
For use with hoses:

H471-32;
EC600-20;
EC810-20,-24,-32

H

Female JIC/37° Swivel (FJA)

45° Elbow



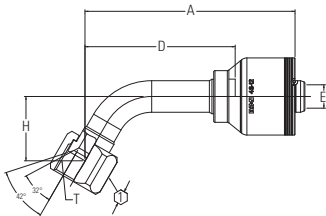
4S

Part number	Terminal end		Hose size		Thread		A		D		E Ø		H		1
	Dash size	DN	Dash size	in	mm	in	mm	in	mm	in	mm	in	mm	in	
4SA6FJA6 (06-686)	-6	10	-6	9/16-18	56,5	2.22	33,3	1.31	6,2	0.24	9,9	0.39	11/16		
4SA8FJA6 (06-688)	-8	10	-6	3/4-16	75,6	2.98	54,3	2.14	6,7	0.26	24,2	0.95	7/8		
4SA8FJA8 (08-688)	-8	12	-8	3/4-16	72,9	2.87	42,7	1.68	9,4	0.37	14,0	0.55	7/8		
4SA10FJA8 (08-690)	-10	12	-8	7/8-14	82,5	3.25	55,3	2.18	9,4	0.37	25,3	1.00	1		
4SA10FJA10	-10	16	-10	7/8-14	71,6	2.82	45,4	1.79	11,7	0.46	16,0	0.63	1		
4SA12FJA10 (10-692)	-12	16	-10	1 1/16-12	92,6	3.65	66,5	2.62	12,8	0.50	29,4	1.16	1 1/4		
4SA12FJA12 (12-692)	-12	19	-12	1 1/16-12	112,3	4.42	76,1	3.00	14,2	0.56	29,0	1.14	1 1/4		
4SA16FJA12 (12-696)	-16	19	-12	1 5/16-12	133,6	5.26	97,5	3.84	14,2	0.56	38,0	1.50	1 1/2		
4SA16FJA16 (16-696)	-16	25	-16	1 5/16-12	128,8	5.07	89,3	3.52	19,2	0.76	38,0	1.50	1 1/2		
4SA20FJA16 (16-697)	-20	25	-16	1 5/8-12	120,1	4.73	80,4	3.17	19,2	0.75	32,0	1.26	2		
4SA20FJA20 (20-697)	-20	31	-20	1 5/8-12	135,6	5.34	80,4	3.17	25,2	0.99	32,0	1.26	2		
4SA24FJA24 (24-698)	-24	38	-24	1 7/8-12	212,0	8.35	134,0	5.28	31,1	1.22	43,0	1.69	2 1/4		
6S	Dash size	DN	Dash size	in	mm	in	mm	in	mm	in	mm	in	mm	in	in
6SA20FJA20 (20-697)	-20	31	-20	1 5/8-12	136,4	5.37	80,4	3.17	25,2	0.99	32,0	1.26	2		
6SA24FJA24 (24-698)	-24	38	-24	1 7/8-12	212,0	8.35	134,0	5.28	31,1	1.22	43,0	1.69	2 1/4		

⚠ Refer to note below.

Female JIC/37° Swivel (FJG)

60° Elbow



4S

Part Number	Terminal End		Hose Size		Thread		A		D		E Ø		H		1
	Dash size	DN	Dash size	in	mm	in	mm	in	mm	in	mm	in	mm	in	
4SA12FJG12 (12-C62)	-12	19	-12	1 1/16-12	127,0	5.00	90,8	3.58	14,2	0.56	38,9	1.53	1 1/4		
4SA16FJG16 (16-C66)	-16	25	-16	1 5/16-12	144,4	5.69	104,8	4.12	19,2	0.76	47,6	1.87	1 1/2		

⚠ Refer to note below.

⚠ When assembled with all Eaton components, all SAE 37° JIC male and female terminal ends in the 4S & 6S product line are rated at the pressures listed and have passed one million impulse cycles at 133% of this pressure. All straight configurations achieve a 4:1 burst. The 45° and 90° elbow configurations in the -12 size meet a 3.2:1 burst the 45° and 90° elbow configurations in the -16 size achieve a 2.8:1 burst; the 45° and 90° elbow configurations in the -20 size meet a 4:1 burst and the 45° & 90° elbow configurations in the -24 size meet a 2.4:1 burst.

4S Fittings

For use with hoses:

H430-6,-8,-10,-12,-16,-20,-24,-32;
H430R-6,-8,-10,-12,-16,-20,-24,-32;
H464-12,-16,-20,-24,-32;
H471-12,-16,-20,-24; EC600-12,-16;
EC525-12,-16,-20,-24,-32; EC810-12,-16

6S Fittings

For use with hoses:

H471-32;
EC600-20;
EC810-20,-24,-32

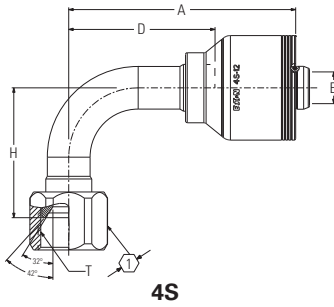
Crimp fittings

Spiral hose fittings
(4S/6S Series)

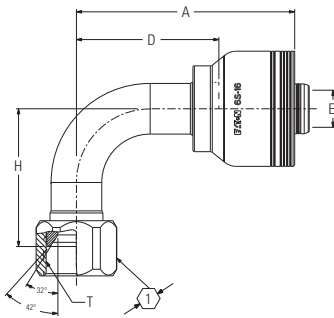
H

Female JIC/37° Swivel (FJB)

90° Elbow



4S



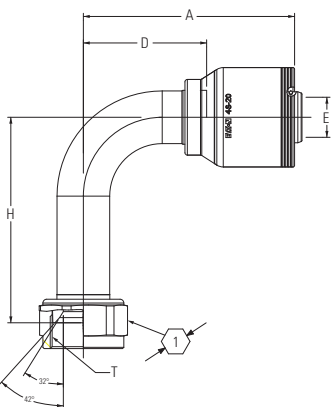
6S

Part Number	Terminal End		Hose Size		Thread		A		D		E Ø		H		1
	Dash size	DN	Dash size	in	mm	in	mm	in	mm	in	mm	in	mm	in	
4SA6FJB6 (06-666)	-6	10	-6	9/16-18	54,1	2.13	30,9	1.22	6,2	0.24	21,6	0.85	11/16		
4SA8FJB6 (06-668)	-8	10	-6	3/4-16	64,7	2.55	43,4	1.71	6,7	0.26	47,4	1.87	7/8		
4SA8FJB8 (08-668)	-8	12	-8	3/4-16	67,1	2.64	36,7	1.44	9,4	0.37	27,7	1.09	7/8		
4SA8FJB8TZ	-8	12	-8	3/4-16	67,1	2.64	36,7	1.44	9,4	0.37	27,7	1.09	7/8		
4SA10FJB8 (08-670)	-10	12	-8	7/8-14	70,5	2.78	43,3	1.70	9,4	0.37	49,0	1.93	1		
4SA10FJB10 (10-670)	-10	16	-10	7/8-14	70,2	2.76	39,3	1.55	11,7	0.46	31,2	1.23	1		
4SA12FJB10 (10-672)	-12	16	-10	1 1/16-12	84,8	3.34	55,4	2.18	12,7	0.50	69,7	2.35	1 1/4		
4SA12FJB12 (12-672)	-12	19	-12	1 1/16-12	101,3	3.99	65,3	2.57	14,2	0.56	58,0	2.28	1 1/4		
4SA16FJB12 (12-676)	-16	19	-12	1 5/16-12	110,0	4.33	73,8	2.91	14,2	0.56	71,0	2.80	1 1/2		
4SA16FJB16 (16-676)	-16	25	-16	1 5/16-12	113,1	4.45	73,5	2.89	19,2	0.76	71,0	2.80	1 1/2		
4SA20FJB16 (16-677)	-20	25	-16	1 5/8-12	117,1	4.61	77,4	3.05	19,2	0.75	78,0	3.07	2		
4SA20FJB20 (20-677)	-20	31	-20	1 5/8-12	132,6	5.22	77,4	3.05	25,2	0.99	78,0	3.07	2		
4SA24FJB24 (24-678)	-24	38	-24	1 7/8-12	208,9	8.22	130,8	5.15	31,1	1.22	104,0	4.09	2 1/4		
6S	Dash size	DN	Dash size	in	mm	in	mm	in	mm	in	mm	in	mm	in	in
6SA20FJB20 (20-677)	-20	31	-20	1 5/8-12	133,4	5.25	77,4	3.05	25,2	0.99	78,0	3.07	2		
6SA24FJB24 (24-678)	-24	38	-24	1 7/8-12	208,9	8.22	130,8	5.15	31,1	1.22	104,0	4.09	2 1/4		

⚠ Refer to note below.

Female JIC/37° Swivel (FJC)

90° Elbow - Long Drop



4S

Part Number	Terminal End		Hose Size		Thread		A		D		E Ø		H		1
	Dash size	DN	Dash size	in	mm	in	mm	in	mm	in	mm	in	mm	in	
4SA6FJC6 (06-464)	-6	-10	-6	9/16-18	54,1	2.13	30,9	1.21	6,2	0.24	55,4	2.18	11/16		
4SA10FJC8 (08-650)	-10	-12	-8	7/8-14	70,5	2.78	43,3	1.70	9,4	0.37	86,2	3.39	1		
4SA12FJC12 (12-652)	-12	19	-12	1 1/16-12	101,3	3.99	65,3	2.57	14,2	0.56	96,0	3.78	1 1/4		
4SA16FJC16 (16-656L44)	-16	25	-16	1 5/16-12	112,5	4.43	73,5	2.89	19,0	0.75	114,0	4.49	1 1/2		
4SA20FJC20 (20-677L50)	-20	31	-20	1 5/8-12	132,6	5.22	77,4	3.05	25,2	0.99	129,0	5.08	2		

⚠ Refer to note.

⚠ When assembled with all Eaton components, all SAE 37° JIC male and female terminal ends in the 4S & 6S product line are rated at the pressures listed and have passed one million impulse cycles at 133% of this pressure. All straight configurations achieve a 4:1 burst. The 45° and 90° elbow configurations in the -12 size meet a 3.2:1 burst the 45° and 90° elbow configurations in the -16 size achieve a 2.8:1 burst; the 45° and 90° elbow configurations in the -20 size meet a 4:1 burst and the 45° & 90° elbow configurations in the -24 size meet a 2.4:1 burst.

Crimp fittings

Spiral hose fittings
(4S/6S Series)

4S Fittings

For use with hoses:

H430-6,-8,-10,-12,-16,-20,-24,-32;
H430R-6,-8,-10,-12,-16,-20,-24,-32;
H464-12,-16,-20,-24,-32;
H471-12,-16,-20,-24; EC600-12,-16;
EC525-12,-16,-20,-24,-32; EC810-12,-16

6S Fittings

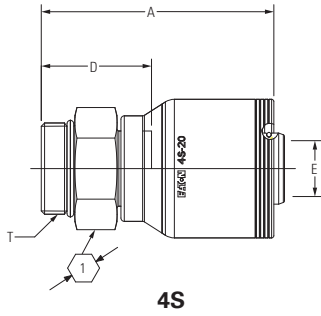
For use with hoses:

H471-32;
EC600-20;
EC810-20,-24,-32

H

Male O-ring Boss - Rigid (MB)

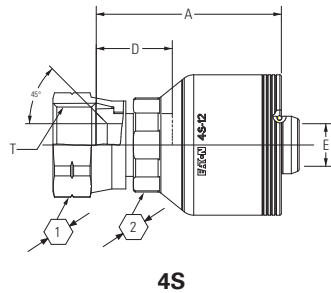
Straight



Part Number	Terminal End	Hose Size		Thread	A		D		E Ø		1
		DN	Dash size		in	mm	in	mm	in	mm	
4SA6MB6 (06-P06)	-6	10	-6	9/16-18	46,7	1.84	25,4	1.00	6,7	0.26	11/16
4SA8MB6 (06-P08)	-8	10	-6	3/4-16	46,1	1.81	24,8	0.98	6,7	0.26	7/8
4SA8MB8	-8	12	-8	3/4-16	57,4	2.26	30,1	1.19	9,6	0.38	7/8
4SA10MB8	-10	12	-8	7/8-14	54,8	2.16	27,6	1.09	9,6	0.38	1
4SA10MB10 (10-P10)	-10	16	-10	7/8-14	59,5	2.34	33,4	1.31	12,8	0.50	1
4SA12MB10 (10-P12)	-12	16	-10	1 1/16-12	57,3	2.26	31,2	1.23	12,8	0.50	1 1/4
4SA12MB12 (12-P12)	-12	19	-12	1 1/16-12	78,7	3.10	42,5	1.67	14,2	0.56	1 1/4
4SA16MB16 (16-P16)	-16	25	-16	1 5/16-12	88,1	3.47	48,5	1.91	19,2	0.76	1 1/2
4SA20MB20 (20-P20)	-20	31	-20	1 5/8-12	109,5	4.31	54,4	2.14	25,2	0.99	1 7/8
4SA24MB24 (24-P24)	-24	24	-24	1 7/8-12	134,1	5.28	56,0	2.21	31,1	1.22	2 1/8

Female SAE 45° Flare Swivel (FS)

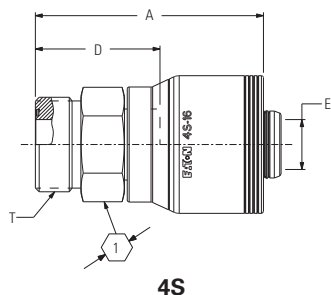
Straight



Part Number	Terminal End	Hose Size		Thread	A		D		E Ø		1	2
		DN	Dash size		in	mm	in	mm	in	mm		
4SA4FS6 (06-404)	-4	10	-6	7/16-20	51,6	2.03	30,3	1.19	4,9	0.19	9/16	11/16
4SA6FS6 (06-406)	-6	10	-6	5/8-18	54,7	2.15	33,4	1.31	6,7	0.26	3/4	11/16
4SA10FS8	-10	12	-8	7/8-14	64,6	2.54	37,4	1.47	9,6	0.38	1	13/16
4SA12FS12 (12-412)	-12	19	-12	1 1/16-14	61,5	2.42	25,4	1.00	14,2	0.56	1 1/4	1 3/16

Male ORS - Rigid (MR)

Straight



Part Number	Terminal End	Hose Size		Thread	A		D		E Ø		1
		DN	Dash size		in	mm	in	mm	in	mm	
4SA6MR6 (06-E66)	-6	10	-6	11/16-16	52,1	2.05	29,3	1.16	6,7	0.26	3/4
4SA8MR6 (06-E68)	-8	10	-6	13/16-16	45,5	1.79	24,2	0.95	6,7	0.26	7/8
4SA8MR8 (08-E68)	-8	12	-8	13/16-16	64,4	2.54	33,9	1.34	9,6	0.38	7/8
4SA12MR12 (12-E72)	-12	19	-12	1 3/16-12	80,8	3.18	44,4	1.75	14,2	0.56	1 1/4
4SA16MR12 (12-E76)	-16	19	-12	1 7/16-12	78,2	3.08	41,9	1.65	14,2	0.56	1 1/2
4SA16MR16 (16-E76)	-16	25	-16	1 7/16-12	87,7	3.45	47,9	1.89	19,2	0.76	1 1/2
4SA20MR16 (16-E80)	-20	25	-16	1 11/16-12	81,1	3.19	41,5	1.63	19,2	0.76	1 3/4
4SA20MR20 (20-E80)	-20	31	-20	1 11/16-12	107,1	4.22	52,0	2.05	25,2	0.99	1 3/4

4S Fittings

For use with hoses:

H430-6,-8,-10,-12,-16,-20,-24,-32;
 H430R-6,-8,-10,-12,-16,-20,-24,-32;
 H464-12,-16,-20,-24,-32;
 H471-12,-16,-20,-24; EC600-12,-16;
 EC525-12,-16,-20,-24,-32; EC810-12,-16

6S Fittings

For use with hoses:

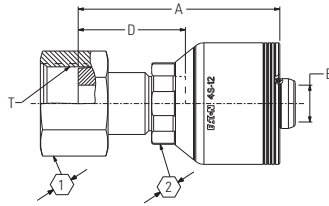
H471-32;
 EC600-20;
 EC810-20,-24,-32

Crimp fittings

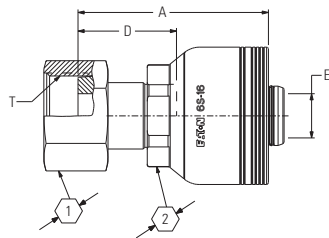
Spiral hose fittings
 (4S/6S Series)

Female ORS Swivel (FR)

Straight



4S



6S

Part Number	Terminal End		Hose Size		Thread		A		D		E Ø		1		2	
	Dash size	DN	Dash size	DN	in	mm	in	mm	in	mm	in	mm	in	mm	in	in
4SA6FR6 (06-S66)	-6	10	-6	10	11/16-16	52,7	2.07	31,4	1.24	6,7	0.26	30,0	13/16	11/16		
4SA8FR6 (06-S68)	-8	10	-6	10	13/16-16	54,4	2.14	33,6	1.32	6,7	0.26	23,8	15/16	11/16		
4SA6FR8	-6	12	-8	12	11/16-16	61,3	2.41	34,1	1.34	6,7	0.26	30,0	13/16	7/8		
4SA8FR8 (08-S68)	-8	12	-8	12	13/16-16	66,2	2.61	38,1	1.50	9,1	0.36	23,8	15/16	7/8		
4SA10FR8 (08-S70)	-10	12	-8	12	1-14	65,4	2.57	37,3	1.47	9,6	0.38	28,6	1 1/8	7/8		
4S8FR10	-8	16	-10	16	13/16-16	64,4	2.54	38,3	1.51	9,1	0.36	23,8	15/16	15/16		
4S10FR10	-10	16	-10	16	1-14	66,5	2.62	40,8	1.61	11,5	0.45	30,0	1 3/16	1 1/16		
4SA10FR10 (10-S70)	-10	16	-10	16	1-14	66,5	2.62	40,8	1.61	11,5	0.45	28,6	1 1/8	1 1/16		
4SA12FR10 (10-S72)	-12	16	-10	16	13/16-12	67,2	2.65	41,4	1.63	12,8	0.50	34,9	1 3/8	1		
4S12FR10	-12	16	-10	16	13/16-12	67,6	2.66	41,5	1.63	12,8	0.50	30,0	1 3/16	1.42		
4SA10FR12 (12-S70)	-10	19	-12	19	1-14	74,4	2.93	38,1	1.50	14,2	0.56	30,0	1 3/16	1 1/8		
4SA12FR12 (12-S72)	-12	19	-12	19	13/16-12	77,4	3.05	41,2	1.62	14,2	0.56	30,0	1 3/16	1 3/8		
4SA16FR12 (12-S76)	-16	19	-12	19	1 7/16-12	79,2	3.12	43,1	1.70	14,2	0.56	30,0	1 3/16	1 5/8		
4SA12FR16 (16-S72)	-12	25	-16	25	1 3/16-12	80,5	3.17	40,8	1.61	19,2	0.76	41,0	1 5/8	1 3/8		
4SA16FR16 (16-S76)	-16	25	-16	25	1 7/16-12	82,4	3.24	42,6	1.68	19,2	0.76	41,0	1 5/8	1 5/8		
4SA20FR16 (16-S80)	-20	25	-16	25	1 11/16-12	82,4	3.24	42,7	1.68	19,2	0.76	41,0	1 5/8	1 7/8		
4SA20FR20 (20-S80)	-20	31	-20	31	1 11/16-12	99,0	3.90	43,8	1.72	25,2	0.99	46,0	1 13/16	1 7/8		
4SA24FR24 (24-S84)	-24	38	-24	38	2-12	125,7	4.95	47,6	1.87	31,1	1.22	57,0	2 1/4	2 1/4		
6S	Dash size	DN	Dash size	DN	in	mm	in	mm	in	mm	in	mm	in	mm	in	in
6SA20FR20 (20-S80)	-20	31	-20	31	1 11/16-12	99,8	3.93	43,8	1.72	25,2	0.99	46,0	1 13/16	1 7/8		
6SA24FR24 (24-S84)	-24	38	-24	38	2-12	125,7	4.95	47,6	1.87	31,1	1.22	57,0	2 1/4	2 1/4		

Crimp fittings

Spiral hose fittings
(4S/6S Series)

H

4S Fittings

For use with hoses:

H430-6,-8,-10,-12,-16,-20,-24,-32;
H430R-6,-8,-10,-12,-16,-20,-24,-32;
H464-12,-16,-20,-24,-32;
H471-12,-16,-20,-24; EC600-12,-16;
EC525-12,-16,-20,-24,-32; EC810-12,-16

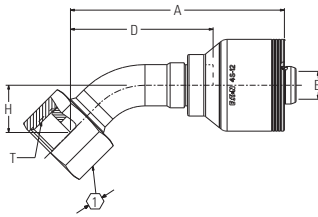
6S Fittings

For use with hoses:

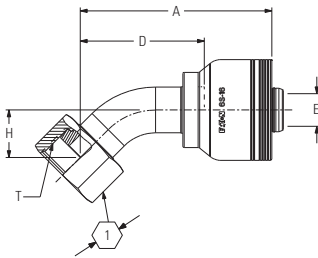
H471-32;
EC600-20;
EC810-20,-24,-32

Female ORS Swivel (FRA)

45° Elbow



4S



6S

Part Number	Terminal End		Hose Size		Thread		A		D		E Ø		H		1
	Dash size	DN	Dash size	in	mm	in	mm	in	mm	in	mm	in	mm	in	
4SA4FRA6	-4	10	-6	9/16-18	54,4	2.14	33,1	1.30	4,2	0.17	10,4	0.41	11/16		
4SA6FRA6 (06-L66)	-6	10	-6	11/16-16	59,9	2.36	36,3	1.43	6,2	0.24	10,9	0.43	13/16		
4SA8FRA6 (06-L68)	-8	10	-6	13/16-16	65,6	2.58	44,3	1.74	6,7	0.26	15,0	0.59	15/16		
4S8FRA8	-8	12	-8	13/16-16	72,7	2.86	45,5	1.79	9,1	0.36	15,0	0.59	15/16		
4SA8FRA8 (08-L68)	-8	12	-8	13/16-16	76,1	3.00	45,5	1.79	8,5	0.33	15,0	0.59	15/16		
4SA8FRA8.022	-8	12	-8	13/16-16	79,3	3.12	52,1	2.05	9,1	0.36	22,1	0.87	15/16		
4SA10FRA8 (08-L70)	-10	12	-8	1-14	78,3	3.08	51,1	2.01	9,6	0.38	16,5	0.65	1 1/8		
4SA10FRA10 (10-L70)	-10	16	-10	1-14	80,9	3.18	51,3	2.02	11,0	0.44	16,5	0.65	1 1/8		
4SA12FRA10	-12	16	-10	1 3/16-12	86,1	3.39	60,0	2.36	12,8	0.50	21,1	0.83	1 3/8		
4SA12FRA12 (12-L72)	-12	19	-12	1 3/16-12	108,7	4.28	72,5	2.85	14,2	0.56	24,0	0.94	1 3/8		
4SA16FRA12 (12-L76)	-16	19	-12	1 7/16-12	119,9	4.72	83,7	3.30	14,2	0.56	28,0	1.10	1 5/8		
4SA16FRA16 (16-L76)	-16	25	-16	1 7/16-12	112,8	4.44	73,0	2.87	19,2	0.76	28,0	1.10	1 5/8		
4SA20FRA16 (16-L80)	-20	25	-16	1 11/16-12	136,7	5.38	97,0	3.82	19,2	0.76	31,0	1.22	1 7/8		
4SA20FRA20 (20-L80)	-20	31	-20	1 11/16-12	153,4	6.04	98,1	3.86	25,2	0.99	31,0	1.22	1 7/8		
4SA24FRA24 (24-L84)	-24	38	-24	2-12	212,0	8.35	134,0	5.28	31,1	1.22	43,0	1.69	2 1/4		
6S	Dash size	DN	Dash size	in	mm	in	mm	in	mm	in	mm	in	in		
6SA20FRA20 (20-L80)	-20	31	-20	1 11/16-12	154,1	6.07	98,1	3.86	25,2	0.99	31,0	1.22	1 7/8		
6SA24FRA24 (24-L84)	-24	38	-24	2-12	212,0	8.35	134,0	5.28	31,1	1.22	43,0	1.69	2 1/4		

4S Fittings

For use with hoses:

H430-6,-8,-10,-12,-16,-20,-24,-32;
 H430R-6,-8,-10,-12,-16,-20,-24,-32;
 H464-12,-16,-20,-24,-32;
 H471-12,-16,-20,-24; EC600-12,-16;
 EC525-12,-16,-20,-24,-32; EC810-12,-16

6S Fittings

For use with hoses:

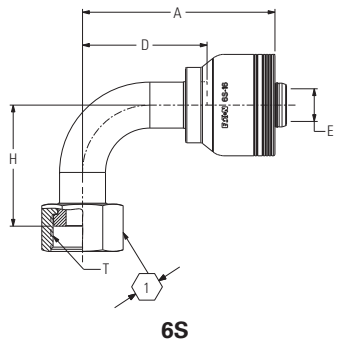
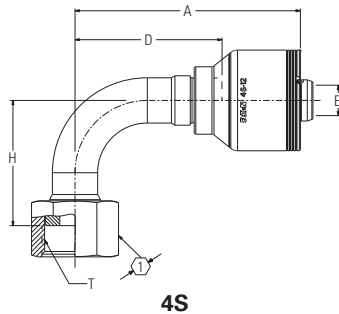
H471-32;
 EC600-20;
 EC810-20,-24,-32

Crimp fittings

Spiral hose fittings
 (4S/6S Series)

Female ORS Swivel (FRB)

90° Elbow



Part Number	Terminal end		Hose size		Thread		A		D		E Ø		H		1	
	Dash size	DN	Dash size	in	mm	in	mm	in	mm	in	mm	in	mm	in	mm	in
4SA6FRB6	-6	10	-6	11/16-16	57,6	2.27	34,1	1.34	6,2	0.24	22,9	0.9	20,6	13/16		
4SA6FRB6.038	-6	10	-6	11/16-16	55,4	2.18	34,1	1.34	6,4	0.25	38,4	1.51	20,6	13/16		
4SA8FRB6	-8	10	-6	13/16-16	62,5	2.46	41,2	1.62	6,7	0.26	29,2	1.15	23,8	15/16		
4SA6FRB8	-6	12	-8	11/16-16	62,4	2.46	35,2	1.39	6,4	0.25	22,9	0.9	20,6	13/16		
4SA8FRB8	-8	12	-8	13/16-16	73,0	2.87	42,4	1.67	8,5	0.33	29,2	1.15	23,8	15/16		
4SA10FRB8	-10	12	-8	1-14	75,6	2.98	48,4	1.91	9,6	0.38	32,3	1.27	28,6	1 1/8		
4SA12FRB8	-12	12	-8	1 3/16-12	83,3	3.28	56,1	2.21	9,6	0.38	47,8	1.88	34,9	1 3/8		
4S10FRB10	-10	16	-10	1-14	74,7	2.94	48,6	1.91	11,5	0.45	32,3	1.27	30,0	1 3/16		
4SA10FRB10	-10	16	-10	1-14	78,3	3.08	43,6	1.91	11,0	0.44	32,3	1.27	28,6	1 1/8		
4S10FRB10.047	-10	16	-10	1-14	74,7	2.94	48,6	1.91	11,5	0.45	47,0	1.85	30,0	1 3/16		
4SA10FRB10.047	-10	16	-10	1-14	74,7	2.94	48,6	1.91	11,5	0.45	47,0	1.85	28,6	1 1/8		
4S12FRB10	-12	16	-10	1 3/16-12	84,2	3.31	58,1	2.29	12,0	0.47	47,8	1.88	36,0	1.42		
4SA12FRB10	-12	16	-10	1 3/16-12	84,2	3.31	58,1	2.29	12,0	0.47	47,8	1.88	34,9	1 3/8		
4S12FRB10.058	-12	16	-10	1 3/16-12	82,9	3.26	56,8	2.24	12,0	0.47	57,9	2.28	36,0	1.42		
4SA10FRB12	-10	19	-12	1-14	91,5	3.6	55,3	2.18	14,2	0.56	32,3	1.27	28,6	1 1/8		
4SA12FRB12	-12	19	-12	1 3/16-12	104,4	4.11	68,1	2.68	14,2	0.56	58,0	2.28	34,9	1 3/8		
4SA16FRB12	-16	19	-12	1 7/16-12	117,1	4.61	80,9	3.19	14,2	0.56	71,0	2.8	41,3	1 5/8		
4SA12FRB16	-12	25	-16	1 3/16-12	107,5	4.23	67,7	2.67	19,2	0.76	58,0	2.28	34,9	1 3/8		
4SA16FRB16	-16	25	-16	1 7/16-12	112,8	4.44	73,0	2.87	19,2	0.76	71,0	2.8	41,3	1 5/8		
4SA20FRB16	-20	25	-16	1 11/16-16	136,5	5.37	96,8	3.81	19,2	0.76	78,0	3.07	47,6	1 7/8		
4SA20FRB20	-20	31	-20	1 11/16-16	153,1	6.03	97,9	3.85	25,2	0.99	78,0	3.07	47,6	1 7/8		
4SA24FRB20	-24	31	-20	2-12	152,9	6.02	97,9	3.85	25,2	0.99	86,0	3.39	57,2	2 1/4		
4SA24FRB24	-24	38	-24	2-12	208,9	8.22	130,8	5.15	31,1	1.22	104,0	4.09	57,2	2 1/4		
6S	Dash size	DN	Dash size	in	mm	in	mm	in	mm	in	mm	in	mm	in	mm	in
6SA20FRB20	-20	31	-20	1 11/16-16	153,9	6.06	97,9	3.85	25,2	0.99	78,0	3.07	47,6	1 7/8		
6SA24FRB2	-24	38	-24	2-12	208,9	8.22	130,8	5.15	31,1	1.22	104,0	4.09	57,2	2 1/4		

Crimp fittings

Spiral hose fittings
(4S/6S Series)

4S Fittings

For use with hoses:

H430-6,-8,-10,-12,-16,-20,-24,-32;
H430R-6,-8,-10,-12,-16,-20,-24,-32;
H464-12,-16,-20,-24,-32;
H471-12,-16,-20,-24; EC600-12,-16;
EC525-12,-16,-20,-24,-32; EC810-12,-16

6S Fittings

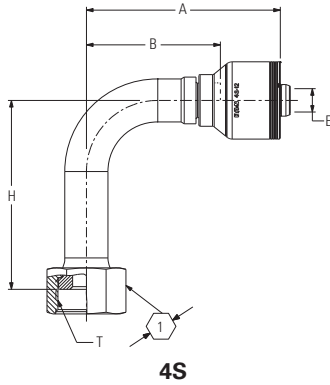
For use with hoses:

H471-32;
EC600-20;
EC810-20,-24,-32

H

Female ORS Swivel (FRC)

90° Elbow - Long Drop



Part Number	Terminal End		Hose Size		Thread		A		D		E Ø		H		1
	Dash size		DN	Dash size	in		mm	in	mm	in	mm	in	mm	in	
4SA6FRC6 (06-A66)	-6		10	-6	11/16-16		57,6	2.27	34,1	1.34	6,2	0.24	54,1	2.13	13/16
4SA8FRC6 (06-A68)	-8		10	-6	13/16-16		64,7	2.55	43,4	1.71	6,7	0.26	64,8	2.55	15/16
4S8FRC8	-8		12	-8	13/16-16		69,6	2.74	42,4	1.67	8,8	0.35	63,8	2.51	15/16
4SA8FRC8 (08-A68)	-8		12	-8	13/16-16		73,0	2.87	42,4	1.67	8,5	0.33	63,8	2.51	15/16
4SA10FRC8 (08-A70)	-10		12	-8	1-14		75,6	2.98	48,4	1.91	9,6	0.38	70,1	2.76	1 1/8
4SA10FRC10	-10		16	-10	1-14		78,3	3.08	48,6	1.91	11,0	0.44	70,1	2.76	1 1/8
4S12FRC10	-12		16	-10	1 3/16-12		84,2	3.31	58,1	2.29	12,0	0.47	96,0	3.78	1.42
4SA10FRC12 (12-A70)	-10		19	-12	1-14		91,5	3.60	55,3	2.18	14,2	0.56	70,0	2.76	1 1/8
4SA12FRC12 (12-A72)	-12		19	-12	1 3/16-12		104,4	4.11	68,1	2.68	14,2	0.56	96,0	3.78	1 3/8
4SA16FRC12 (12-A76)	-16		19	-12	1 7/16-12		117,1	4.61	80,9	3.19	14,2	0.56	114,0	4.49	1 5/8
4SA16FRC16 (16-A76)	-16		25	-16	1 7/16-12		112,8	4.44	73,0	2.87	19,2	0.76	114,0	4.49	1 5/8
4SA20FRC20 (20-A80)	-20		31	-20	1 11/16-12		152,9	6.02	97,9	3.85	25,2	0.99	129,0	5.08	1 7/8
4SA24FRC20 (20-A84)	-24		31	-20	2-12		152,9	6.02	97,9	3.85	25,2	0.99	141,0	5.55	2 1/4
4SA24FRC24 (24-A84L55)	-24		38	-24	2-12		152,9	6.02	97,9	3.85	25,2	0.99	141,0	5.55	2 1/4

4S Fittings

For use with hoses:

H430-6,-8,-10,-12,-16,-20,-24,-32;
 H430R-6,-8,-10,-12,-16,-20,-24,-32;
 H464-12,-16,-20,-24,-32;
 H471-12,-16,-20,-24; EC600-12,-16;
 EC525-12,-16,-20,-24,-32; EC810-12,-16

6S Fittings

For use with hoses:

H471-32;
 EC600-20;
 EC810-20,-24,-32

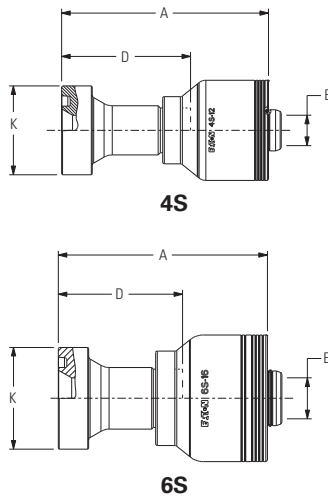
Crimp fittings

Spiral hose fittings
 (4S/6S Series)

H

SAE Code 61 Flange (FL)

Straight



Part Number	Terminal End	Hose Size		Flange Head Dia. K Ø		A		D		E Ø	
	Dash size	DN	Dash size	mm	in	mm	in	mm	in	mm	in
4S8FL8 (08-G08)	-8	12	-8	30,2	1.19	79,5	3.13	52,3	2.06	9,6	0.38
4S12FL8 (08-G12)	-12	12	-8	38,1	1.50	80,6	3.17	53,3	2.10	9,6	0.38
4S12FL10 (10-G12)	-12	16	-10	38,1	1.50	79,4	3.13	53,3	2.10	12,8	0.50
4S12FL12 (12-G12)	-12	19	-12	38,1	1.50	90,7	3.57	54,5	2.15	14,2	0.56
4S16FL12 (12-G16)	-16	19	-12	44,5	1.75	90,2	3.55	54,0	2.13	14,2	0.56
4S20FL12 (12-G20)	-20	19	-12	50,8	2.00	97,7	3.85	61,5	2.42	14,2	0.56
4S16FL16 (16-G16)	-16	25	-16	44,5	1.75	93,3	3.67	53,6	2.11	19,2	0.76
4S20FL16 (16-G20)	-20	25	-16	50,8	2.00	100,8	3.97	61,1	2.41	19,2	0.76
4S24FL16 (16-G24)	-24	25	-16	60,4	2.38	97,4	3.83	57,7	2.27	19,2	0.76
4S16FL20 (20-G16)	-16	31	-20	44,5	1.75	110,5	4.35	55,5	2.18	25,2	0.99
4S20FL20 (20-G20)	-20	31	-20	50,8	2.00	117,4	4.62	62,2	2.45	25,2	0.99
4S24FL20 (20-G24)	-24	31	-20	60,4	2.38	106,7	4.20	51,6	2.03	25,2	0.99
4S32FL20 (20-G32)	-32	31	-20	71,4	2.81	104,9	4.13	49,9	1.96	25,2	0.99
4S24FL24 (24-G24)	-24	38	-24	60,4	2.38	171,6	6.75	93,6	3.68	31,1	1.22
4S32FL24 (24-G32)	-32	38	-24	71,4	2.81	174,7	6.88	96,7	3.81	31,1	1.22
4S32FL32 (32-G32)	-32	51	-32	71,4	2.81	177,5	6.99	99,5	3.92	42,1	1.66
6S	Dash size	DN	Dash size	mm	in	mm	in	mm	in	mm	in
6S20FL20 (20-G20)	-20	31	-20	50,8	2.00	118,2	4.65	62,2	2.45	25,2	0.99
6S24FL24 (24-G24)	-24	38	-24	60,4	2.38	171,6	6.75	93,6	3.68	31,1	1.22
6S32FL24 (24-G32)	-32	38	-24	71,4	2.81	174,7	6.88	96,7	3.81	31,1	1.22
6S32FL32 (32-G32)	-32	51	-32	71,4	2.81	177,5	6.99	99,5	3.92	42,1	1.66

Note: Reference page J-110 for
 Code 62 Split Flange Kits

Crimp fittings

Spiral hose fittings
(4S/6S Series)

4S Fittings

For use with hoses:

H430-6,-8,-10,-12,-16,-20,-24,-32;
H430R-6,-8,-10,-12,-16,-20,-24,-32;
H464-12,-16,-20,-24,-32;
H471-12,-16,-20,-24; EC600-12,-16;
EC525-12,-16,-20,-24,-32; EC810-12,-16

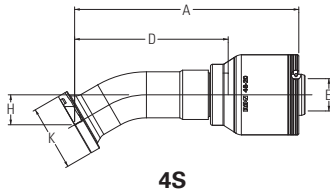
6S Fittings

For use with hoses:

H471-32;
EC600-20;
EC810-20,-24,-32

SAE Code 61 Flange (FLF)

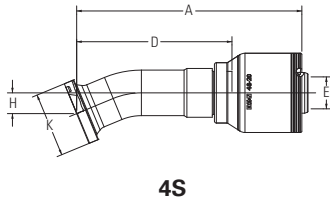
30° Elbow



Part Number	Terminal End	Hose Size		Flange Head Dia. K Ø		A		D		E Ø		H	
	4S	Dash size	DN	Dash size	mm	in	mm	in	mm	in	mm	in	mm
4S8FLF8 (08-H21)	-8	12	-8	30,2	1.19	81,8	3.32	54,6	2.15	9,1	0.36	12,6	0.50
4S12FLF12 (12-H22)	-12	19	-12	38,1	1.50	119,4	4.70	83,3	3.28	14,2	0.56	16,4	0.65
4S16FLF12 (12-H23)	-16	19	-12	44,4	1.75	134,6	5.30	98,4	3.87	14,2	0.56	19,3	0.76
4S16FLF16 (16-H23)	-16	25	-16	44,4	1.75	137,7	5.42	97,9	3.85	19,2	0.76	19,3	0.76
4S20FLF16 (16-H24)	-20	25	-16	50,8	2.00	158,3	6.23	118,6	4.67	19,2	0.76	23,3	0.92
4S20FLF20 (20-H24)	-20	31	-20	50,8	2.00	174,7	6.88	119,7	4.71	25,2	0.99	23,3	0.92
4S24FLF20 (20-H25)	-24	31	-20	60,4	2.38	169,9	6.69	114,9	4.52	25,2	0.99	24,1	0.95
4S24FLF24 (24-H25)	-24	38	-24	60,3	2.37	223,4	8.80	145,4	5.72	31,1	1.22	26,8	1.06
4S32FLF32 (32-H26)	-32	51	-32	71,4	2.81	265,9	10.47	187,8	7.39	42,1	1.66	33,9	1.34

SAE Code 61 Flange (FLD)

22.5° Elbow



Part Number	Terminal End	Hose Size		Flange Head Dia. K Ø		A		D		E Ø		H	
	4S	Dash size	DN	Dash size	mm	in	mm	in	mm	in	mm	in	mm
4S8FLD8 (08-H01)	-8	12	-8	30,2	1.19	83,2	3.28	56,0	2.20	9,1	0.36	9,1	0.36
4S12FLD8 (08-H02)	-12	12	-8	38,1	1.50	98,4	3.87	71,2	2.80	9,4	0.37	11,1	0.44
4S12FLD12 (12-H02)	-12	19	-12	38,1	1.50	121,3	4.78	85,1	3.35	14,2	0.56	11,6	0.46
4S16FLD12 (12-H03)	-16	25	-12	44,4	1.75	136,7	5.38	100,5	3.96	14,2	0.56	13,5	0.53
4S16FLD16 (16-H03)	-16	25	-16	44,4	1.75	139,8	5.50	100,1	3.94	19,2	0.76	13,5	0.53
4S20FLD16 (16-H04)	-20	25	-16	50,8	2.00	160,9	6.33	121,2	4.77	19,2	0.76	16,3	0.64
4S20FLD20 (20-H04)	-20	31	-20	50,8	2.00	177,3	6.98	122,3	4.81	25,2	0.99	16,3	0.64
4S24FLD20 (20-H05)	-24	31	-20	60,4	2.38	173,6	6.83	117,6	4.63	25,2	0.99	17,1	0.67
4S24FLD24 (24-H05)	-24	38	-24	60,3	2.37	226,4	8.91	148,4	5.84	31,1	1.22	18,8	0.74
4S32FLD24 (24-H06)	-32	38	-24	71,4	2.81	266,7	10.50	188,7	7.43	31,1	1.22	23,5	0.93
4S32FLD32 (32-H06)	-32	51	-32	71,4	2.81	269,6	10.61	191,5	7.54	42,1	1.66	23,5	0.93

4S Fittings

For use with hoses:

H430-6,-8,-10,-12,-16,-20,-24,-32;
H430R-6,-8,-10,-12,-16,-20,-24,-32;
H464-12,-16,-20,-24,-32;
H471-12,-16,-20,-24; EC600-12,-16;
EC525-12,-16,-20,-24,-32; EC810-12,-16

6S Fittings

For use with hoses:

H471-32;
EC600-20;
EC810-20,-24,-32

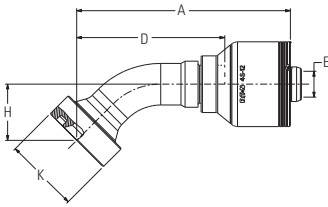
Crimp fittings

Spiral hose fittings
(4S/6S Series)

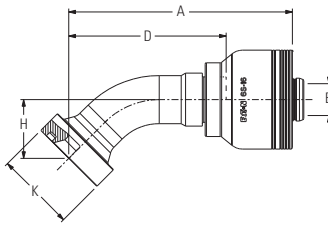
H

SAE Code 61 Flange (FLA)

45° Elbow



4S



6S

Part number	Terminal end		Hose size		Flange Head Dia. K Ø		A		D		E Ø		H	
	Dash size	DN	Dash size	mm	in	mm	in	mm	in	mm	in	mm	in	
4S8FLA8 (08-G41)	-8	12	-8	30,2	1.19	77,5	3.05	50,3	1.98	9,1	0.36	19,8	0.78	
4S12FLA8 (08-G42)	-12	12	-8	38,1	1.50	90,6	3.57	63,4	2.50	9,6	0.38	25,4	1.00	
4S12FLA10 (10-G42)	-12	16	-10	38,1	1.50	90,3	3.56	64,2	2.53	12,8	0.50	25,4	1.00	
4S12FLA12 (12-G42)	-12	19	-12	38,1	1.50	113,8	4.48	77,6	3.06	14,2	0.56	27,0	1.06	
4S16FLA12 (12-G46)	-16	19	-12	44,4	1.75	127,9	5.04	91,7	3.61	14,2	0.56	32,0	1.26	
4S12FLA16 (16-G42)	-12	25	-16	38,1	1.50	116,9	4.60	77,2	3.04	19,2	0.76	27,0	1.06	
4S16FLA16 (16-G46)	-16	25	-16	44,4	1.75	131,0	5.16	91,3	3.59	19,2	0.76	32,0	1.26	
4S20FLA16 (16-G50)	-20	25	-16	50,8	2.00	150,2	5.91	110,5	4.35	19,2	0.76	39,0	1.54	
4S16FLA20 (20-G46)	-16	31	-20	44,4	1.75	152,1	5.99	97,0	3.82	25,2	0.99	32,0	1.26	
4S20FLA20 (20-G50)	-20	31	-20	50,8	2.00	166,8	6.57	111,6	4.39	25,2	0.99	39,0	1.54	
4S24FLA20 (20-G54)	-24	31	-20	60,4	2.38	161,6	6.36	106,6	4.20	25,2	0.99	39,5	1.56	
4S24FLA24 (24-G54)	-24	38	-24	60,3	2.37	214,3	8.44	136,3	5.37	31,1	1.22	45,0	1.77	
4S32FLA24 (24-G62)	-32	38	-24	71,4	2.81	251,0	9.88	173,0	6.81	31,1	1.22	57,5	2.26	
4S32FLA32 (32-G62)	-32	51	-32	71,4	2.81	253,9	10.00	175,9	6.92	42,1	1.66	57,5	2.26	
6S	Dash size	DN	Dash size	mm	in	mm	in	mm	in	mm	in	mm	in	
6S20FLA20 (20-G50)	-20	31	-20	50,8	2.00	167,6	6.60	111,6	4.39	25,2	0.99	39,0	1.54	
6S24FLA24 (24-G54)	-24	38	-24	60,3	2.37	214,3	8.44	136,3	5.37	31,1	1.22	45,0	1.77	
6S32FLA24 (24-G62)	-32	38	-24	71,4	2.81	251,0	9.88	173,0	6.81	31,1	1.22	57,5	2.26	
6S32FLA32 (32-G62)	-32	51	-32	71,4	2.81	253,9	10.00	175,9	6.92	42,1	1.66	57,5	2.26	

Crimp fittings

Spiral hose fittings
(4S/6S Series)

4S Fittings

For use with hoses:

H430-6,-8,-10,-12,-16,-20,-24,-32;
H430R-6,-8,-10,-12,-16,-20,-24,-32;
H464-12,-16,-20,-24,-32;
H471-12,-16,-20,-24; EC600-12,-16;
EC525-12,-16,-20,-24,-32; EC810-12,-16

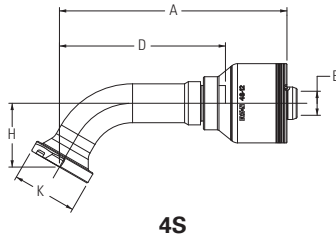
6S Fittings

For use with hoses:

H471-32;
EC600-20;
EC810-20,-24,-32

SAE Code 61 Flange (FLG)

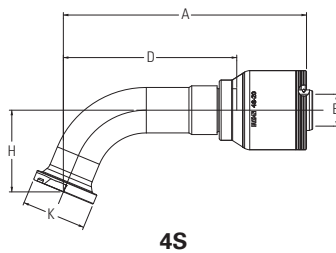
60° Elbow



Part Number	Terminal End	Hose Size		Flange Head Dia. K Ø		A		D		E Ø		H	
		4S	Dash size	DN	Dash size	mm	in	mm	in	mm	in	mm	in
4S8FLG8 (08-H51)	-8	12	-8	30,2	1.19	88,1	3.47	60,9	2.40	9,1	0.36	28,8	1.13
4S12FLG8 (08-H52)	-12	12	-8	38,1	1.50	107,2	4.22	80,0	3.15	9,6	0.38	35,4	1.39
4S12FLG12 (12-H52)	-12	19	-12	38,1	1.50	133,9	5.27	97,7	3.85	14,2	0.56	37,6	1.48
4S16FLG12 (12-H53)	-16	19	-12	44,4	1.75	153,2	6.03	117,1	4.61	14,2	0.56	44,7	1.76
4S16FLG16 (16-H53)	-16	25	-16	44,4	1.75	156,4	6.16	116,6	4.59	19,2	0.76	44,7	1.76
4S20FLG16 (16-H54)	-20	25	-16	50,8	2.00	183,3	7.22	143,5	5.65	19,2	0.76	55,8	2.20
4S20FLG20 (20-H54)	-20	25	-20	50,8	2.00	199,7	7.86	144,7	5.70	25,2	0.99	55,8	2.20
4S24FLG20 (20-H56)	-24	31	-20	60,4	2.38	188,1	7.41	133,0	5.24	25,2	0.99	51,7	2.04
4S24FLG24 (24-H55)	-24	38	-24	60,3	2.37	253,3	9.97	175,3	6.90	31,1	1.22	65,2	2.57
4S32FLG32 (32-H56)	-32	51	-32	71,4	2.81	309,1	12.17	231,1	9.10	42,1	1.66	85,8	3.38

SAE Code 61 Flange (FLE)

67.5° Elbow



Part Number	Terminal End	Hose Size		Flange Head Dia. K Ø		A		D		E Ø		H	
		4S	Dash size	DN	Dash size	mm	in	mm	in	mm	in	mm	in
4S8FLE8 (08-H61)	-8	12	-8	30,2	1.19	84,1	3.31	56,9	2.24	9,1	0.36	32,3	1.27
4S12FLE8 (08-H62)	-12	12	-8	38,1	1.50	101,9	4.01	74,6	2.94	9,6	0.38	40,6	1.60
4S12FLE12 (12-H62)	-12	19	-12	38,1	1.50	128,6	5.06	92,4	3.64	14,2	0.56	43,2	1.70
4S16FLE12 (12-H63)	-16	19	-12	44,4	1.75	147,0	5.79	110,8	4.36	14,2	0.56	51,5	2.03
4S16FLE16 (16-H63)	-16	25	-16	44,4	1.75	150,1	5.91	110,3	4.34	19,2	0.76	51,5	2.03
4S20FLE16 (16-H64)	-20	25	-16	50,8	2.00	175,4	6.91	135,7	5.34	19,2	0.76	64,4	2.54
4S20FLE20 (20-H64)	-20	31	-20	50,8	2.00	191,8	7.55	136,8	5.39	25,2	0.99	64,4	2.54
4S24FLE20 (20-H65)	-24	31	-20	60,4	2.38	180,8	7.12	125,8	4.95	25,2	0.99	59,5	2.34
4S24FLE24 (24-H65)	-24	38	-24	60,3	2.37	244,2	9.61	166,2	6.54	31,1	1.22	75,2	2.96
4S32FLE24 (24-H66)	-32	38	-24	71,4	2.81	294,1	11.58	216,1	8.51	31,1	1.22	99,3	3.91
4S32FLE32 (32-H66)	-32	51	-32	71,4	2.81	297,0	11.69	219,0	8.62	42,1	1.66	99,3	3.91

4S Fittings

For use with hoses:

H430-6,-8,-10,-12,-16,-20,-24,-32;
H430R-6,-8,-10,-12,-16,-20,-24,-32;
H464-12,-16,-20,-24,-32;
H471-12,-16,-20,-24; EC600-12,-16;
EC525-12,-16,-20,-24,-32; EC810-12,-16

6S Fittings

For use with hoses:

H471-32;
EC600-20;
EC810-20,-24,-32

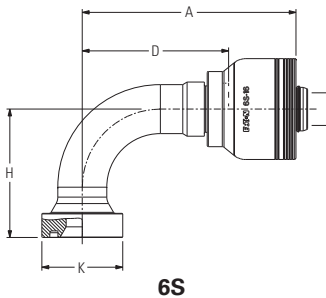
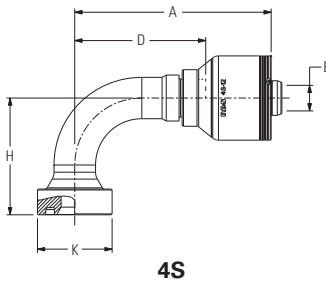
Crimp fittings

Spiral hose fittings
(4S/6S Series)

H

SAE Code 61 Flange (FLB)

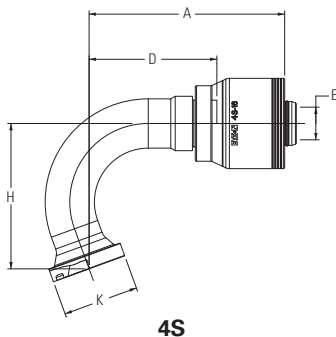
90° Elbow



Part Number	Terminal End		Hose Size		Flange Head Dia. K Ø		A		D		E Ø		H	
	4S	Dash size	DN	Dash size	mm	in	mm	in	mm	in	mm	in	mm	in
4S8FLB8 (08-G71)	-8	12	-8	30,2	1.19	69,5	2.74	42,3	1.67	9,1	0.36	41,4	1.63	
4S12FLB8 (08-G72)	-12	12	-8	38,1	1.50	85,1	3.35	57,9	2.28	9,6	0.38	54,1	2.13	
4S12FLB10 (10-G72)	-12	16	-10	38,1	1.50	84,2	3.31	58,1	2.29	12,8	0.50	54,1	2.13	
4S12FLB12 (12-G72)	-12	19	-12	38,1	1.50	108,5	4.27	72,3	2.85	14,2	0.56	59,0	2.32	
4S16FLB12 (12-G76)	-16	19	-12	44,4	1.75	122,8	4.84	86,6	3.41	14,2	0.56	71,0	2.80	
4S20FLB12 (12-G80)	-20	19	-12	50,8	2.00	108,5	4.72	72,3	2.85	14,2	0.56	65,0	2.56	
4S16FLB16 (16-G76)	-16	25	-16	44,4	1.75	126,0	4.96	86,2	3.39	19,2	0.76	71,0	2.80	
4S16FLB16.116 (16-G76)	-16	25	-16	44,4	1.75	126,0	4.96	86,2	3.39	19,2	0.76	116,0	4.57	
4S20FLB16 (16-G80)	-20	25	-16	50,8	2.00	145,2	5.72	105,4	4.15	19,2	0.76	89,0	3.50	
4S24FLB16 (16-G84)	-24	25	-16	60,4	2.38	136,5	5.37	96,8	3.81	19,2	0.76	81,9	3.22	
4S16FLB20 (20-G76)	-16	31	-20	44,4	1.75	147,1	5.79	91,9	3.62	25,2	0.99	71,0	2.80	
4S20FLB20 (20-G80)	-20	31	-20	50,8	2.00	161,8	6.37	106,5	4.19	25,2	0.99	89,0	3.50	
4S24FLB20 (20-G84)	-24	31	-20	60,4	2.38	152,9	6.02	97,9	3.85	25,2	0.99	81,9	3.22	
4S24FLB24 (24-G84)	-24	38	-24	60,3	2.37	208,9	8.22	130,9	5.15	31,1	1.22	104,0	4.09	
4S32FLB24 (24-G92)	-32	38	-24	71,4	2.81	247,4	9.74	169,4	6.67	31,1	1.22	138,0	5.43	
4S32FLB32 (32-G92)	-32	51	-32	71,4	2.81	250,3	9.85	172,2	6.78	42,1	1.66	138,0	5.43	
6S	Dash size	DN	Dash size	mm	in	mm	in	mm	in	mm	in	mm	in	
6S20FLB20 (20-G80)	-20	31	-20	50,8	2.00	162,5	6.40	106,5	4.19	25,2	0.99	89,0	3.50	
6S24FLB24 (24-G84)	-24	38	-24	60,3	2.37	208,8	8.22	130,8	5.15	31,1	1.22	104,0	4.09	
6S32FLB24 (24-G92)	-32	38	-24	71,4	2.81	247,4	9.74	169,4	6.67	31,1	1.22	138,0	5.43	
6S32FLB32 (32-G92)	-32	51	-32	71,4	2.81	250,3	9.85	172,2	6.78	42,1	1.66	138,0	5.43	

SAE Code 61 Flange (FLH)

110° Elbow



Part Number	Terminal End		Hose Size		Flange Head Dia. K Ø		A		D		E Ø		H	
	4S	Dash size	DN	Dash size	mm	in	mm	in	mm	in	mm	in	mm	in
4S16FLH16 (16-H73)	-16	25	-16	44,4	1.75	114,6	4.51	74,9	2.95	19,2	0.76	85,2	3.35	

Crimp fittings

Spiral hose fittings
(4S/6S Series)

4S Fittings

For use with hoses:

H430-6,-8,-10,-12,-16,-20,-24,-32;
H430R-6,-8,-10,-12,-16,-20,-24,-32;
H464-12,-16,-20,-24,-32;
H471-12,-16,-20,-24; EC600-12,-16;
EC525-12,-16,-20,-24,-32; EC810-12,-16

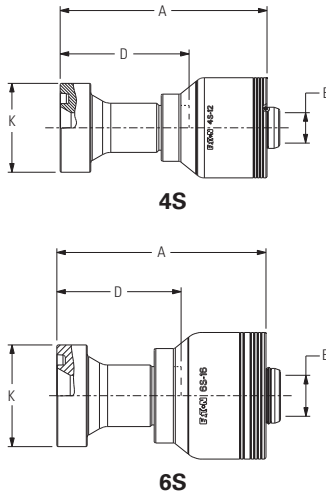
6S Fittings

For use with hoses:

H471-32;
EC600-20;
EC810-20,-24,-32

SAE Code 62 Flange (FH)

Straight

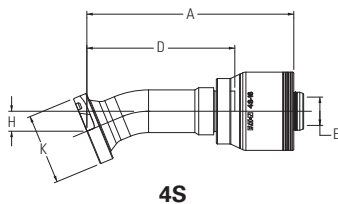


Note: Reference page J-110
for Code 62 Split Flange Kits

Part Number	Terminal End	Hose Size		Flange Head Dia. K Ø		A		D		E Ø	
	Dash size	DN	Dash size	mm	in	mm	in	mm	in	mm	in
4S8FH8 (08-D08)	-8	12	-8	31,8	1.25	79,5	3.13	52,3	2.06	9,6	0.38
4S12FH8 (08-D12)	-12	12	-8	41,3	1.63	80,6	3.17	53,3	2.10	9,6	0.38
4S12FH10 (10-D12)	-12	16	-10	41,3	1.63	79,6	3.13	53,5	2.11	12,8	0.50
4S12FH12 (12-D12)	-12	19	-12	41,3	1.63	90,7	3.57	54,5	2.15	14,2	0.56
4S16FH12 (12-D16)	-16	19	-12	47,7	1.88	90,2	3.55	54,0	2.13	14,2	0.56
4S12FH16 (16-D12)	-12	25	-16	41,3	1.63	96,3	3.79	56,7	2.23	14,2	0.56
4S16FH16 (16-D16)	-16	25	-16	47,7	1.88	98,9	3.89	59,1	2.33	19,2	0.76
4S20FH16 (16-D20)	-20	25	-16	54,0	2.13	100,8	3.97	61,0	2.40	19,2	0.76
4S16FH20 (20-D16)	-16	31	-20	47,7	1.88	123,8	4.87	68,6	2.70	25,2	0.99
4S20FH20 (20-D20)	-20	31	-20	54,0	2.13	123,3	4.85	68,1	2.68	25,2	0.99
4S24FH20 (20-D24)	-24	31	-20	63,5	2.50	129,0	5.08	73,9	2.91	25,2	0.99
4S24FH24 (24-D24)	-24	38	-24	63,5	2.50	189,6	7.46	111,6	4.39	31,1	1.22
4S32FH24 (24-D32)	-32	38	-24	79,4	3.13	204,4	8.05	126,4	4.89	31,1	1.22
4S32FH32 (32-D32)	-32	51	-32	79,4	3.13	202,7	7.98	124,7	4.91	42,1	1.66
6S	Dash size	DN	Dash size	mm	in	mm	in	mm	in	mm	in
6S20FH20 (20-D20)	-20	31	-20	54,0	2.13	124,0	4.88	68,1	2.68	25,2	0.99
6S24FH20 (20-D24)	-24	31	-20	63,5	2.50	129,8	5.11	73,9	2.91	25,2	0.99
6S24FH24 (24-D24)	-24	38	-24	63,5	2.50	189,6	7.46	111,6	4.39	31,1	1.22
6S32FH24 (24-D32)	-32	38	-24	79,4	3.13	204,4	8.05	126,4	4.98	31,1	1.22
6S32FH32 (32-D32)	-32	51	-32	79,4	3.13	202,7	7.98	124,7	4.91	42,1	1.66

SAE Code 62 Flange (FHD)

22.5° Elbow



Part Number	Terminal End	Hose Size		Flange Head Dia. K Ø		A		D		E Ø		H	
	Dash size	DN	Dash size	mm	in	mm	in	mm	in	mm	in	mm	in
4S16FHD16 (16-N03)	-16	25	-16	47,7	1.88	140,0	5.51	100,1	3.94	19,2	0.76	13,5	0.53
4S20FHD16 (16-N04)	-20	25	-16	54,0	2.13	160,9	6.33	121,2	4.77	19,2	0.76	16,3	0.64
4S32FHD32 (32-N06)	-32	51	-32	79,4	3.13	269,6	10.61	191,5	7.54	42,1	1.66	23,5	0.93

4S Fittings

For use with hoses:

H430-6,-8,-10,-12,-16,-20,-24,-32;
 H430R-6,-8,-10,-12,-16,-20,-24,-32;
 H464-12,-16,-20,-24,-32;
 H471-12,-16,-20,-24; EC600-12,-16;
 EC525-12,-16,-20,-24,-32; EC810-12,-16

6S Fittings

For use with hoses:

H471-32;
 EC600-20;
 EC810-20,-24,-32

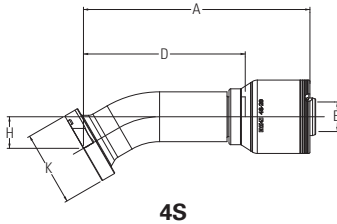
Crimp fittings

Spiral hose fittings
 (4S/6S Series)

H

SAE Code 62 Flange (FHF)

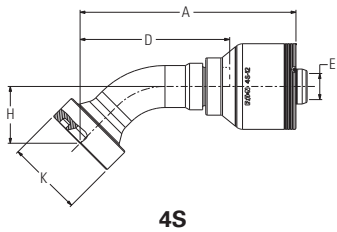
30° Elbow



Part Number	Terminal End		Hose Size		Flange Head Dia. K Ø		A		D		E Ø		H	
	Dash size	DN	Dash size	mm	in	mm	in	mm	in	mm	in	mm	in	
4S24FHF20 (20-N25)	-24	31	-20	63,5	2.50	192,6	7.58	137,6	5.42	25,2	0.99	26,8	1.06	
4S32FHF32 (32-N26)	-32	51	-32	79,4	3.13	265,8	10.47	187,8	7.39	42,1	1.66	33,9	1.34	

SAE Code 62 Flange (FHA)

45° Elbow



Part Number	Terminal End		Hose Size		Flange Head Dia. K Ø		A		D		E Ø		H	
	Dash size	DN	Dash size	mm	in	mm	in	mm	in	mm	in	mm	in	
4S8FHA8 (08-D41)	-8	12	-8	31,8	1.25	77,5	3.05	50,3	1.98	9,1	0.36	19,8	0.78	
4S12FHA8 (08-D42)	-12	12	-8	41,3	1.63	91,4	3.60	64,3	2.53	9,6	0.38	25,7	1.01	
4S12FHA12 (12-D42)	-12	19	-12	41,3	1.63	113,8	4.48	77,6	3.06	14,2	0.56	27,0	1.06	
4S16FHA12 (12-D46)	-16	19	-12	47,7	1.88	128,0	5.04	91,7	3.61	14,2	0.56	32,0	1.26	
4S12FHA16 (16-D42)	-12	25	-16	41,3	1.63	116,9	4.60	77,2	3.04	15,1	0.59	27,0	1.06	
4S16FHA16 (16-D46)	-16	25	-16	47,7	1.88	130,9	5.15	91,2	3.59	19,2	0.76	32,0	1.26	
4S20FHA16 (16-D50)	-20	25	-16	54,0	2.13	150,2	5.91	110,5	4.35	19,2	0.76	39,0	1.54	
4S20FHA20 (20-D50)	-20	31	-20	54,0	2.13	166,6	6.56	111,6	4.39	25,2	0.99	39,0	1.54	
4S24FHA20 (20-D54)	-24	31	-20	63,5	2.50	183,2	7.21	128,2	5.05	25,2	0.99	45,0	1.77	
4S24FHA24 (24-D54)	-24	38	-24	63,5	2.50	214,1	8.43	136,1	5.36	31,1	1.22	45,0	1.77	
4S32FHA24 (24-D62)	-32	38	-24	79,4	3.13	251,0	9.88	173,0	6.81	31,1	1.22	57,5	2.26	
4S32FHA32 (32-D62)	-32	51	-32	79,4	3.13	253,9	10.00	175,9	6.93	42,1	1.66	57,5	2.26	
6S	Dash size	DN	Dash size	mm	in	mm	in	mm	in	mm	in	mm	in	
6S20FHA20 (20-D50)	-20	31	-20	54,0	2.13	167,6	6.60	111,6	4.39	25,2	0.99	39,0	1.54	
6S24FHA20 (20-D54)	-24	31	-20	63,5	2.50	184,2	7.25	128,2	5.05	25,2	0.99	45,0	1.77	
6S24FHA24 (24-D54)	-24	38	-24	63,5	2.50	214,1	8.43	136,1	5.36	31,1	1.22	45,0	1.77	
6S32FHA24 (24-D62)	-32	38	-24	79,4	3.13	251,0	9.88	173,0	6.81	31,1	1.22	57,5	2.26	
6S32FHA32 (32-D62)	-32	51	-32	79,4	3.13	253,9	10.00	175,9	6.93	42,1	1.66	57,5	2.26	

Crimp fittings

Spiral hose fittings
(4S/6S Series)

4S Fittings

For use with hoses:

- H430-6,-8,-10,-12,-16,-20,-24,-32;
- H430R-6,-8,-10,-12,-16,-20,-24,-32;
- H464-12,-16,-20,-24,-32;
- H471-12,-16,-20,-24; EC600-12,-16;
- EC525-12,-16,-20,-24,-32; EC810-12,-16

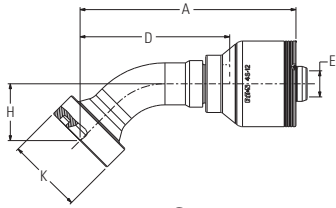
6S Fittings

For use with hoses:

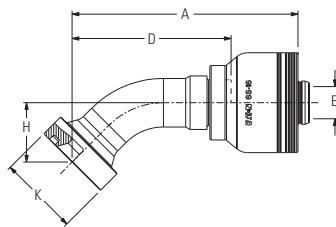
- H471-32;
- EC600-20;
- EC810-20,-24,-32

SAE Code 62 Flange (FHG)

60° Elbow



4S

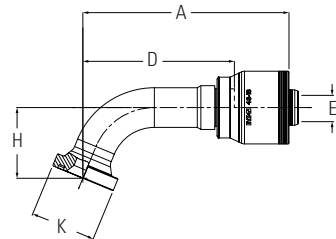


6S

Part Number	Terminal End	Hose Size		Flange Head Dia. K Ø		A		D		E Ø		H					
		Dash size	DN	Dash size	mm	in	mm	in	mm	in	mm	in	mm	in			
4S12FHG12 (12-N52)	-12	19	-12	41,3	1.63	133,9	5.27	97,7	3.85	14,2	0.56	37,6	1.48				
				4S16FHG16 (16-N53)	-16	25	-16	47,7	1.88	156,4	6.16	116,6	4.59	19,2	0.76	44,6	1.76
				4S32FHG32 (32-N56)				-32	51	-32	79,4	3.13	309,1	12.17	231,1	9.10	42,1
6S	Dash size	DN	Dash size	mm	in	mm	in				mm	in	mm	in	mm	in	
								6S20FHG20 (20-N54)	-20	31							-20

SAE Code 62 Flange (FHE)

67.5° Elbow



4S

Part Number	Terminal End	Hose Size		Flange Head Dia. K Ø		A		D		E Ø		H	
		Dash size	DN	Dash size	mm	in	mm	in	mm	in	mm	in	mm
4S32FHE32 (32-N66)	-32	51	-32	79,4	3.13	297,0	11.69	219,0	8.62	42,1	1.66	99,3	3.91

4S Fittings

For use with hoses:

H430-6,-8,-10,-12,-16,-20,-24,-32;
 H430R-6,-8,-10,-12,-16,-20,-24,-32;
 H464-12,-16,-20,-24,-32;
 H471-12,-16,-20,-24; EC600-12,-16;
 EC525-12,-16,-20,-24,-32; EC810-12,-16

6S Fittings

For use with hoses:

H471-32;
 EC600-20;
 EC810-20,-24,-32

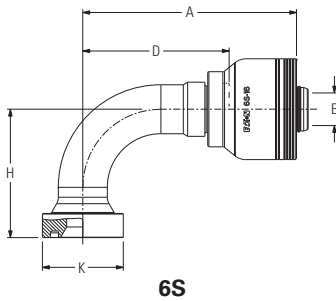
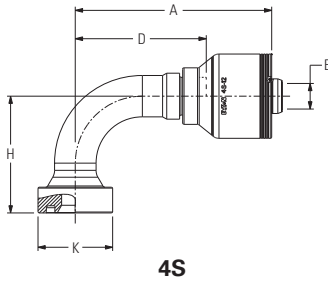
Crimp fittings

Spiral hose fittings
 (4S/6S Series)

H

SAE Code 62 Flange (FHB)

90° Elbow



Part Number	Terminal End	Hose Size		Flange Head Dia. K Ø		A		D		E Ø		H	
		Dash size	DN	Dash size	mm	in	mm	in	mm	in	mm	in	mm
4S													
4S8FHB8 (08-D71)	-8	12	-8	31,8	1.25	69,5	2.74	42,3	1.67	9,1	0.36	41,4	1.63
4S12FHB8 (08-D72)	-12	12	-8	41,3	1.63	85,1	3.35	57,9	2.28	9,6	0.38	54,0	2.13
4S12FHB12 (12-D72)	-12	19	-12	41,3	1.63	108,5	4.27	72,3	2.85	14,2	0.56	59,0	2.32
4S16FHB12 (12-D76)	-16	19	-12	47,7	1.88	122,9	4.84	86,6	3.41	14,2	0.56	71,0	2.80
4S16FHB16 (16-D76)	-16	25	-16	47,7	1.88	125,5	4.94	86,1	3.39	19,2	0.76	71,0	2.80
4S16FHB16.120 (16-D76)	-16	25	-16	47,7	1.88	126,0	4.96	86,2	3.39	19,2	0.76	120,0	4.72
4S20FHB16 (16-D80)	-20	25	-16	54,0	2.13	145,3	5.72	105,4	4.15	19,2	0.76	89,0	3.50
4S16FHB20 (20-D76)	-16	31	-20	47,7	1.88	147,1	5.79	91,9	3.62	25,2	0.99	71,0	2.80
4S20FHB20 (20-D80)	-20	31	-20	54,0	2.13	161,5	6.36	106,5	4.19	25,2	0.99	89,0	3.50
4S20FHB20.120 (20-D80)	-20	31	-20	54,0	2.13	161,5	6.36	106,5	4.19	25,2	0.99	120,0	4.72
4S24FHB20 (20-D84)	-24	31	-20	63,5	2.50	178,0	7.01	123,0	4.84	25,2	0.99	104,0	4.09
4S24FHB24 (24-D84)	-24	38	-24	63,5	2.50	208,9	8.22	130,8	5.15	31,1	1.22	104,0	4.09
4S32FHB24 (24-D92)	-32	38	-24	79,4	3.13	247,4	9.74	169,4	6.67	31,1	1.22	138,0	5.43
4S32FHB32 (32-D92)	-32	51	-32	79,4	3.13	250,3	9.85	172,2	6.78	42,1	1.66	138,0	5.43
6S													
6S16FHB20 (20-D76)	-16	31	-20	47,7	1.88	147,9	5.82	91,9	3.62	25,2	0.99	71,0	2.80
6S20FHB20 (20-D80)	-20	31	-20	54,0	2.13	162,5	6.40	106,5	4.19	25,2	0.99	89,0	3.50
6S24FHB20 (20-D84)	-24	31	-20	63,5	2.50	179,0	7.05	123,0	4.84	25,2	0.99	104,0	4.09
6S24FHB24 (24-D84)	-24	38	-24	63,5	2.50	208,9	8.22	130,8	5.15	31,1	1.22	104,0	4.09
6S32FHB24 (24-D92)	-32	38	-24	79,4	3.13	247,4	9.74	169,4	6.67	31,1	1.22	138,0	5.43
6S32FHB32 (32-D92)	-32	51	-32	79,4	3.13	250,3	9.85	172,2	6.78	42,1	1.66	138,0	5.43

Crimp fittings

Spiral hose fittings
(4S/6S Series)

4S Fittings

For use with hoses:

H430-6,-8,-10,-12,-16,-20,-24,-32;
H430R-6,-8,-10,-12,-16,-20,-24,-32;
H464-12,-16,-20,-24,-32;
H471-12,-16,-20,-24; EC600-12,-16;
EC525-12,-16,-20,-24,-32; EC810-12,-16

6S Fittings

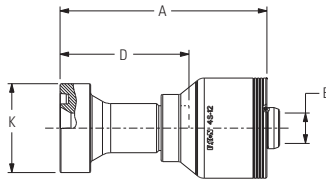
For use with hoses:

H471-32;
EC600-20;
EC810-20,-24,-32

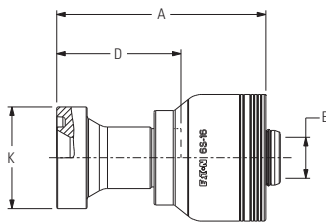
H

CAT® Flange (CT)

Straight



4S



6S

Note: Reference page H-89
for Cat-Flange replacement
"D" ring

Part Number	Terminal End	Hose Size		Flange Head Dia. K Ø		A		D		E Ø	
		DN	Dash size	mm	in	mm	in	mm	in	mm	in
4S	Dash size										
4S12CT12 (12-K12)	-12	19	-12	41,3	1.63	96,2	3.79	60,0	2.36	14,2	0.56
4S16CT12 (12-K16)	-16	19	-12	47,6	1.87	94,9	3.74	58,7	2.31	14,2	0.56
4S16CT16 (16-K16)	-16	25	-16	47,6	1.87	102,1	4.02	62,3	2.45	19,2	0.76
4S20CT16 (16-K20)	-20	25	-16	54,0	2.13	104,8	4.13	65,0	2.56	19,2	0.76
4S20CT20 (20-K20)	-20	31	-20	54,0	2.13	124,5	4.90	69,1	2.72	25,2	0.99
4S24CT20** (20-K24)	-24	31	-20	63,5	2.50	130,9	5.15	75,9	2.99	25,2	0.99
4S24CT24 (24-K24)	-24	38	-24	63,5	2.50	195,0	7.68	117,0	4.61	31,1	1.22
4S32CT24 (24-K32)	-32	38	-24	79,4	3.13	206,0	8.11	128,0	5.04	31,1	1.22
4S32CT32 (32-K32)	-32	51	-32	79,4	3.13	208,9	8.22	130,9	5.15	42,1	1.66
6S	Dash size										
6S20CT20 (20-K20)	-20	31	-20	54,0	2.13	125,2	4.93	69,1	2.72	25,2	0.99
6S24CT20 (20-K24)	-24	31	-20	63,5	2.50	131,8	5.19	75,9	2.99	25,2	0.99
6S24CT24 (24-K24)	-24	38	-24	63,5	2.50	195,0	7.68	117,0	4.61	31,1	1.22
6S32CT24 (24-K32)	-32	38	-24	79,4	3.13	206,0	8.11	128,0	5.04	31,1	1.22
6S32CT32 (32-K32)	-32	51	-32	79,4	3.13	208,9	8.22	130,9	5.15	42,1	1.66

4S Fittings

For use with hoses:

H430-6,-8,-10,-12,-16,-20,-24,-32;
H430R-6,-8,-10,-12,-16,-20,-24,-32;
H464-12,-16,-20,-24,-32;
H471-12,-16,-20,-24; EC600-12,-16;
EC525-12,-16,-20,-24,-32; EC810-12,-16

6S Fittings

For use with hoses:

H471-32;
EC600-20;
EC810-20,-24,-32

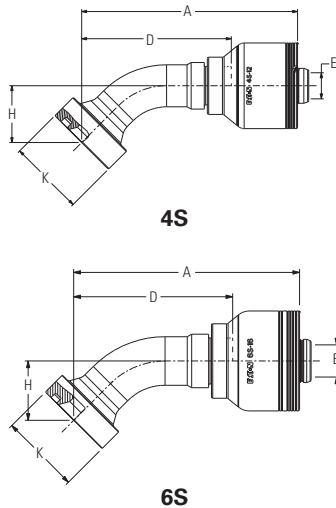
Crimp fittings

Spiral hose fittings
(4S/6S Series)

H

CAT® Flange (CTA)

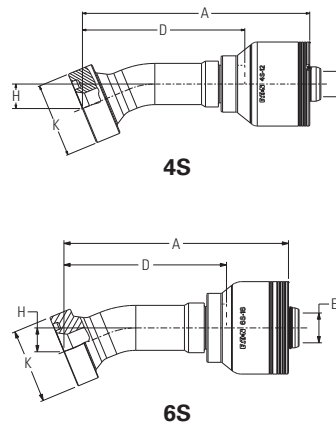
45° Elbow



Part Number	Terminal End	Hose Size		Flange Head Dia. K Ø		A		D		E Ø		H	
		DN	Dash size	mm	in	mm	in	mm	in	mm	in	mm	in
4S	Dash size	DN	Dash size	mm	in	mm	in	mm	in	mm	in	mm	in
4S12CTA12 (12-K42)	-12	19	-12	41,3	1,63	117,7	4,63	81,5	3,21	14,2	0,56	30,9	1,22
4S16CTA12 (12-K46)	-16	19	-12	47,6	1,87	131,2	5,17	95,0	3,74	14,2	0,56	35,3	1,39
4S16CTA16 (16-K46)	-16	25	-16	47,6	1,87	134,3	5,29	94,6	3,72	19,2	0,76	35,3	1,39
4S20CTA16 (16-K50)	-20	25	-16	54,0	2,13	153,0	6,02	113,2	4,46	19,2	0,76	41,8	1,65
4S20CTA20 (20-K50)	-20	31	-20	54,0	2,13	169,4	6,67	114,3	4,50	25,2	0,99	41,8	1,65
4S24CTA20** (20-K54)	-24	31	-20	63,5	2,50	184,3	7,26	129,1	5,08	25,2	0,99	46,2	1,82
4S24CTA24 (24-K54)	-24	38	-24	63,5	2,50	215,2	8,47	137,2	5,40	31,1	1,22	46,2	1,82
4S32CTA32 (32-K62)	-32	51	-32	79,4	3,13	255,1	10,04	177,0	6,97	42,1	1,66	58,7	1,31
6S	Dash size	DN	Dash size	mm	in	mm	in	mm	in	mm	in	mm	in
6S20CTA20 (20-K50)	-20	31	-20	54,0	2,13	170,3	6,70	114,3	4,50	25,2	0,99	41,8	1,65
6S24CTA20 (20-K54)	-24	31	-20	63,5	2,50	185,3	7,30	129,1	5,08	25,2	0,99	46,2	1,82
6S24CTA24 (24-K54)	-24	38	-24	63,5	2,50	215,2	8,47	137,2	5,40	31,1	1,22	46,2	1,82
6S32CTA24 (24-K62)	-32	38	-24	79,4	3,13	252,2	9,93	174,2	6,86	31,1	1,22	58,7	2,31
6S32CTA32 (32-K62)	-32	51	-32	79,4	3,13	255,1	10,04	177,0	6,97	42,1	1,66	58,7	2,31

CAT® Flange (CTD)

22.5° Elbow



Part Number	Terminal End	Hose Size		Flange Head Dia. K Ø		A		D		E Ø		H	
		DN	Dash size	mm	in	mm	in	mm	in	mm	in	mm	in
4S	Dash size	DN	Dash size	mm	in	mm	in	mm	in	mm	in	mm	in
4S12CTD12 (12-BD12)	-12	19	-12	41,3	1,63	126,2	4,97	90,2	3,55	14,2	0,56	13,6	0,54
4S16CTD16 (16-BD16)	-16	25	-16	47,6	1,87	144,2	5,68	104,4	4,11	19,2	0,76	15,3	0,60
4S20CTD16 (16-BD20)	-20	25	-16	54,0	2,13	164,5	6,48	124,8	4,91	19,2	0,76	17,8	0,70
4S20CTD20** (20-BD20)	-20	31	-20	54,0	2,13	180,9	7,12	125,9	4,96	25,2	0,99	17,8	0,70
4S24CTD20** (20-BD24)	-24	31	-20	63,5	2,50	197,0	7,76	142,0	5,59	25,2	0,99	19,4	0,76
4S24CTD24 (24-BD24)	-24	38	-24	63,5	2,50	227,9	8,97	149,9	5,90	31,1	1,22	19,4	0,76
4S32CTD32 (32-BD32)	-32	51	-32	79,4	3,13	271,1	10,67	193,0	7,60	42,1	1,66	24,2	0,95
6S	Dash size	DN	Dash size	mm	in	mm	in	mm	in	mm	in	mm	in
6S20CTD20 (20-BD20)	-20	31	-20	54,0	2,13	181,9	7,16	125,9	4,96	25,2	0,99	17,8	0,70
6S24CTD20 (20-BD24)	-24	31	-20	63,5	2,50	198,0	7,80	142,0	5,59	25,2	0,99	19,4	0,76
6S24CTD24 (24-BD24)	-24	38	-24	63,5	2,50	227,9	8,97	149,9	5,90	31,1	1,22	19,4	0,76
6S32CTD32 (32-BD32)	-32	51	-32	79,4	3,13	271,1	10,67	193,0	7,60	42,1	1,66	24,2	0,95

Crimp fittings

Spiral hose fittings
(4S/6S Series)

4S Fittings

For use with hoses:

H430-6,-8,-10,-12,-16,-20,-24,-32;
H430R-6,-8,-10,-12,-16,-20,-24,-32;
H464-12,-16,-20,-24,-32;
H471-12,-16,-20,-24; EC600-12,-16;
EC525-12,-16,-20,-24,-32; EC810-12,-16

6S Fittings

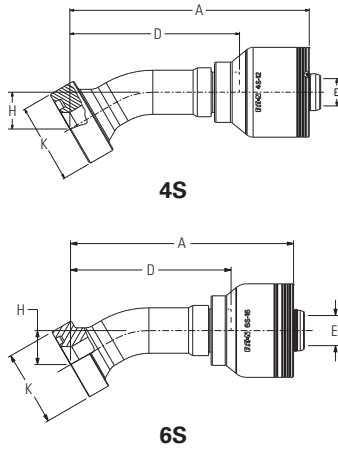
For use with hoses:

H471-32;
EC600-20;
EC810-20,-24,-32

H

CAT® Flange (CTF)

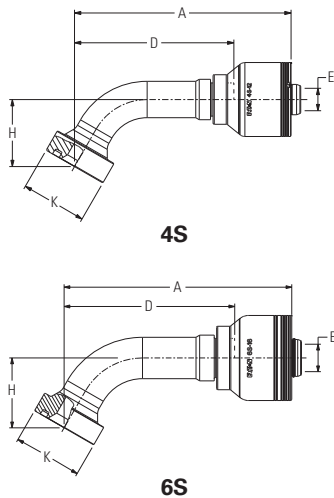
30° Elbow



Part Number	Terminal End		Hose Size		Flange Head Dia. K Ø		A		D		E Ø		H	
	Dash size	DN	Dash size	mm	in	mm	in	mm	in	mm	in	mm	in	
4S														
4S12CTF12 (12-BD42)	-12	19	-12	41,3	1.63	124,2	4.89	88,0	3.46	14,2	0.56	19,1	0.75	
4S16CTF16 (16-BD46)	-16	25	-16	47,6	1.87	141,7	5.58	102,0	4.02	19,2	0.76	21,6	0.85	
4S20CTF16 (16-BD50)	-20	25	-16	54,0	2.13	161,7	6.37	122,0	4.80	19,2	0.76	25,3	1.00	
4S20CTF20** (20-BD50)	-20	31	-20	54,0	2.13	178,1	7.01	123,1	4.85	25,2	0.99	25,3	1.00	
4S24CTF20** (20-BD54)	-24	31	-20	63,5	2.50	194,0	7.64	138,9	5.47	25,2	0.99	27,7	1.09	
4S24CTF24 (24-BD54)	-24	38	-24	63,5	2.50	224,8	8.85	146,8	5.78	31,1	1.22	27,7	1.09	
4S32CTF32 (32-BD62)	-32	51	-32	79,4	3.13	267,3	10.52	189,2	7.45	42,1	1.66	34,8	1.37	
6S														
6S20CTF20 (20-BD50)	-20	31	-20	54,0	2.13	179,1	7.05	123,1	4.85	25,2	0.99	25,3	1.00	
6S24CTF20 (20-BD54)	-24	31	-20	63,5	2.50	194,9	7.67	138,9	5.47	25,2	0.99	27,7	1.09	
6S24CTF24 (24-BD54)	-24	38	-24	63,5	2.50	224,8	8.85	146,8	5.78	31,1	1.22	27,7	1.09	
6S32CTF24 (24-BD62)	-32	38	-24	79,4	3.13	264,3	10.41	186,3	7.34	31,1	1.22	34,8	1.37	
6S32CTF32 (32-BD62)	-32	51	-32	79,4	3.13	267,3	10.52	189,2	7.45	42,1	1.66	34,8	1.37	

CAT® Flange (CTG)

60° Elbow



Part Number	Terminal End		Hose Size		Flange Head Dia. K Ø		A		D		E Ø		H	
	Dash size	DN	Dash size	mm	in	mm	in	mm	in	mm	in	mm	in	
4S														
4S12CTG12 (12-BD72)	-12	19	-12	41,3	1.63	136,6	5.38	100,5	3.96	14,2	0.56	42,3	1.67	
4S16CTG16 (16-BD76)	-16	25	-16	47,6	1.87	158,8	6.25	119,0	4.69	19,2	0.76	48,7	1.92	
4S20CTG16 (16-BD80)	-20	25	-16	54,0	2.13	185,2	7.29	145,5	5.73	19,2	0.76	59,2	2.33	
4S20CTG20** (20-BD80)	-20	31	-20	54,0	2.13	201,6	7.94	146,6	5.77	25,2	0.99	59,2	2.33	
4S24CTG20** (20-BD84)	-24	31	-20	63,5	2.50	223,3	8.79	168,3	6.63	25,2	0.99	66,6	2.62	
4S24CTG24 (24-BD84)	-24	38	-24	63,5	2.50	254,2	10.01	176,2	6.94	31,1	1.22	66,6	2.62	
4S32CTG32 (32-BD92)	-32	51	-32	79,4	3.13	310,0	12.20	231,9	9.13	42,1	1.66	87,3	3.44	
6S														
6S20CTG20 (20-BD80)	-20	31	-20	54,0	2.13	202,6	7.98	146,6	5.77	25,2	0.99	59,2	2.33	
6S24CTG20 (20-BD84)	-24	31	-20	63,5	2.50	224,3	8.83	168,3	6.63	25,2	0.99	66,6	2.62	
6S24CTG24 (24-BD84)	-24	38	-24	63,5	2.50	254,2	10.01	176,2	6.94	31,1	1.22	66,6	2.62	
6S32CTG24 (24-BD92)	-32	38	-24	79,4	3.13	307,0	12.09	229,0	9.02	31,1	1.22	87,3	3.44	
6S32CTG32 (32-BD92)	-32	51	-32	79,4	3.13	310,0	12.20	231,9	9.13	42,1	1.66	87,3	3.44	

4S Fittings

For use with hoses:

H430-6,-8,-10,-12,-16,-20,-24,-32;
 H430R-6,-8,-10,-12,-16,-20,-24,-32;
 H464-12,-16,-20,-24,-32;
 H471-12,-16,-20,-24; EC600-12,-16;
 EC525-12,-16,-20,-24,-32; EC810-12,-16

6S Fittings

For use with hoses:

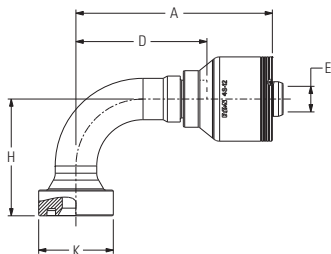
H471-32;
 EC600-20;
 EC810-20,-24,-32

Crimp fittings

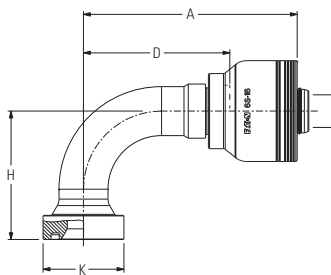
Spiral hose fittings
 (4S/6S Series)

CAT® Flange (CTB)

90° Elbow



4S



6S

Part Number	Terminal End		Hose Size		Flange Head Dia. K Ø		A		D		E Ø		H	
	Dash size	DN	Dash size	mm	in	mm	in	mm	in	mm	in	mm	in	
4S12CTB12 (12-K72)	-12	19	-12	41,3	1.63	108,5	4.27	72,3	2.85	14,2	0.56	64,5	2.54	
4S16CTB12 (12-K76)	-16	19	-12	47,6	1.87	122,8	4.83	86,6	3.41	14,2	0.56	75,7	2.98	
4S16CTB16 (16-K76)	-16	25	-16	47,6	1.87	126,0	4.96	86,2	3.39	19,2	0.76	75,7	2.98	
4S20CTB16 (16-K80)	-20	25	-16	54,0	2.13	145,2	5.72	105,4	4.15	19,2	0.76	92,9	3.66	
4S20CTB20 (20-K80)	-20	31	-20	54,0	2.13	161,5	6.36	106,5	4.19	25,2	0.99	92,9	3.66	
4S24CTB20** (20-K84)	-24	31	-20	63,5	2.50	178,0	7.01	123,0	4.84	25,2	0.99	105,6	4.16	
4S24CTB24 (24-K24)	-24	38	-24	63,5	2.50	208,9	8.22	130,9	5.15	31,1	1.22	105,7	4.16	
4S32CTB32 (32-K32)	-32	51	-32	79,4	3.13	250,3	9.85	172,2	6.78	42,1	1.66	139,7	5.50	
6S	Dash size	DN	Dash size	mm	in	mm	in	mm	in	mm	in	mm	in	
6S20CTB20 (20-K80)	-20	31	-20	54,0	2.13	162,5	6.40	106,5	4.19	25,2	0.99	92,9	3.66	
6S24CTB20 (20-K84)	-24	31	-20	63,5	2.50	179,0	7.05	123,0	4.84	25,2	0.99	105,6	4.16	
6S24CTB24 (24-K24)	-24	38	-24	63,5	2.50	208,9	8.22	130,9	5.15	31,1	1.22	105,7	4.16	
6S32CTB24 (24-K32)	-32	38	-24	79,4	3.13	247,4	9.74	169,4	6.67	31,1	1.22	139,7	5.50	
6S32CTB32 (32-K32)	-32	51	-32	79,4	3.13	250,3	9.85	172,2	6.78	42,1	1.66	139,7	5.50	

Crimp fittings

Spiral hose fittings
(4S/6S Series)

4S Fittings

For use with hoses:

H430-6,-8,-10,-12,-16,-20,-24,-32;
H430R-6,-8,-10,-12,-16,-20,-24,-32;
H464-12,-16,-20,-24,-32;
H471-12,-16,-20,-24; EC600-12,-16;
EC525-12,-16,-20,-24,-32; EC810-12,-16

6S Fittings

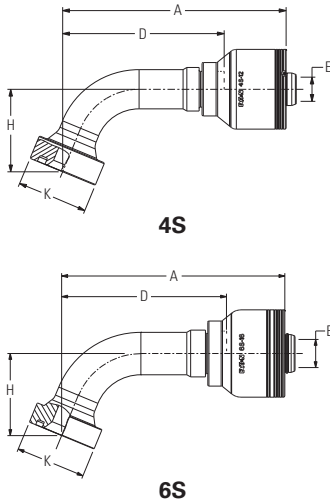
For use with hoses:

H471-32;
EC600-20;
EC810-20,-24,-32

H

CAT® Flange (CTE)

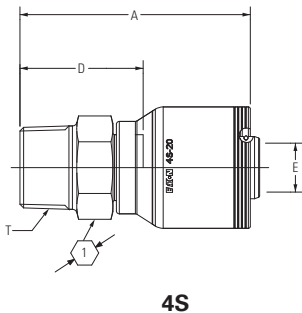
67.5° Elbow



Part Number	Terminal End	Hose Size		Flange Head Dia. K Ø		A		D		E Ø		H	
	Dash size	DN	Dash size	mm	in	mm	in	mm	in	mm	in	mm	in
4S													
4S12CTE12 (12-BE12)	-12	19	-12	41,3	1.63	130,7	5.15	94,5	3.72	14,2	0.56	48,3	1.90
4S16CTE16 (16-BE16)	-16	25	-16	47,6	1.87	151,9	5.98	112,2	4.42	19,2	0.76	55,8	2.20
4S20CTE16 (16-BE20)	-20	25	-16	54,0	2.13	176,9	6.96	137,1	5.40	19,2	0.76	68,1	2.68
4S20CTE20** (20-BE20)	-20	31	-20	54,0	2.13	193,3	7.61	138,3	5.44	25,2	0.99	68,1	2.68
4S24CTE20** (20-BE24)	-24	31	-20	63,5	2.50	214,0	8.42	159,0	6.26	25,2	0.99	76,8	3.02
4S24CTE24 (24-BE24)	-24	38	-24	63,5	2.50	244,8	9.64	166,8	6.57	31,1	1.22	76,8	3.02
4S32CTE32 (32-BE32)	-32	51	-32	79,4	3.13	297,6	11.72	219,6	8.65	42,1	1.66	100,8	3.97
6S													
6S20CTE20 (20-BE20)	-20	31	-20	54,0	2.13	194,2	7.65	138,3	5.44	25,2	0.99	68,1	2.68
6S24CTE20 (20-BE24)	-24	31	-20	63,5	2.50	214,9	8.46	159,0	6.26	25,2	0.99	76,8	3.02
6S24CTE24 (24-BE24)	-24	38	-24	63,5	2.50	244,8	9.64	166,8	6.57	31,1	1.22	76,8	3.02
6S32CTE24 (24-BE32)	-32	38	-24	79,4	3.13	294,7	11.60	216,7	8.53	31,1	1.22	100,8	3.97
6S32CTE32 (32-BE32)	-32	51	-32	79,4	3.13	297,6	11.72	219,6	8.65	42,1	1.66	100,8	3.97

BSP Male Tapered Rigid (BT)

Straight



Part Number	Terminal End	Hose Size		Thread	A		D		E Ø		1
	Dash size	DN	Dash size	in	mm	in	mm	in	mm	in	mm
4S12BT12 (12-162)	-12	19	-12	R 3/4-14	84,0	3.31	47,7	1.88	14,2	0.56	27,0
4S16BT16 (16-166)	-16	25	-16	R 1-11	94,9	3.74	55,2	2.17	19,2	0.76	36,0
4S20BT20 (20-170)	-20	31	-20	R 1 1/4-11	118,4	4.66	63,3	2.49	25,2	0.99	46,0

"R" as part of thread size is ISO designation for tapered thread.

4S Fittings

For use with hoses:

H430-6,-8,-10,-12,-16,-20,-24,-32;
 H430R-6,-8,-10,-12,-16,-20,-24,-32;
 H464-12,-16,-20,-24,-32;
 H471-12,-16,-20,-24; EC600-12,-16;
 EC525-12,-16,-20,-24,-32; EC810-12,-16

6S Fittings

For use with hoses:

H471-32;
 EC600-20;
 EC810-20,-24,-32

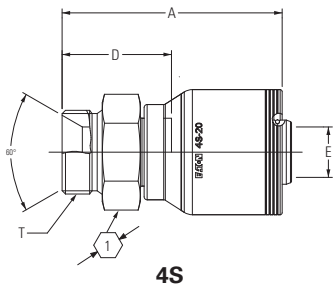
Crimp fittings

Spiral hose fittings
 (4S/6S Series)

H

BSP Male Parallel Rigid (BP)

60° Cone Seat
 Straight

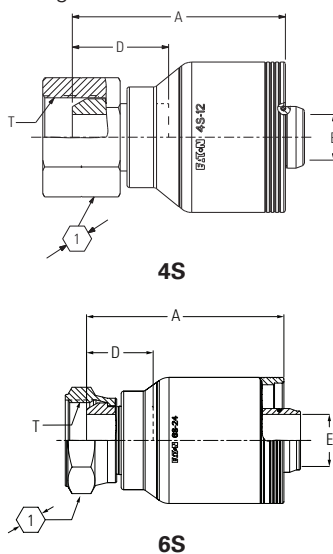


Part Number	Terminal End	Hose Size		Thread	A		D		E Ø		1
		DN	Dash size		in	mm	in	mm	in	mm	
4S12BP12 (12-P62)	-12	19	-12	G 3/4-14	79,6	3.13	43,4	1.71	14,2	0.56	32,0
4S16BP16 (12-P66)	-16	25	-16	G 1-11	89,8	3.53	50,1	1.97	19,2	0.75	41,0
4S20BP20 (20-P67)	-20	31	-20	G 1 1/4-11	109,7	4.32	54,5	2.15	25,1	0.99	50,0

"G" as part of thread size is ISO designation for parallel thread.

Female BSPP Swivel (BF)

60° Cone Seat
 Straight



Part Number	Terminal End	Hose Size		Thread	A		D		E Ø		1
		DN	Dash size		in	mm	in	mm	in	mm	
4S6BF6	-6	10	-6	G 3/8	46,4	1.83	21,1	0.83	6,7	0.26	22,0
4S8BF8 (08-358)	-8	12	-8	G 1/2	53,5	2.11	23,8	0.94	9,6	0.38	27,0
4S12BF12 (12-362)	-12	19	-12	G 3/4	66,2	2.61	29,9	1.18	14,2	0.56	32,0
4S16BF12 (12-366)	-16	19	-12	G 1	68,7	2.70	32,3	1.27	14,2	0.56	41,0
4S16BF16 (16-366)	-16	25	-16	G 1	71,0	2.80	32,3	1.27	19,2	0.76	41,0
4S20BF16 (16-370)	-20	25	-16	G 1 1/4	72,5	2.85	32,7	1.29	19,2	0.76	50,0
4S20BF20 (20-370)	-20	31	-20	G 1 1/4	82,8	3.26	32,7	1.29	25,2	0.99	50,0
4S24BF24 (24-374)	-24	38	-24	G 1 1/2	117,9	4.64	39,8	1.57	31,1	1.22	55,0
4S32BF32 (32-375)	-32	51	-32	G 2	121,0	4.76	43,0	1.69	42,1	1.66	70,0
6S	Dash size	DN	Dash size	in	mm	in	mm	in	mm	in	mm
6S24BF24 (24-374)	-24	38	-24	G 1 1/2	117,9	4.64	39,8	1.57	31,1	1.22	55,0
6S32BF32 (32-375)	-32	51	-32	G 2	121,0	4.76	43,0	1.69	42,1	1.66	70,0

"G" as part of thread size is ISO designation for parallel thread.

Crimp fittings

Spiral hose fittings
(4S/6S Series)

4S Fittings

For use with hoses:

H430-6,-8,-10,-12,-16,-20,-24,-32;
H430R-6,-8,-10,-12,-16,-20,-24,-32;
H464-12,-16,-20,-24,-32;
H471-12,-16,-20,-24; EC600-12,-16;
EC525-12,-16,-20,-24,-32; EC810-12,-16

6S Fittings

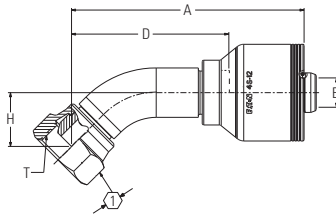
For use with hoses:

H471-32;
EC600-20;
EC810-20,-24,-32

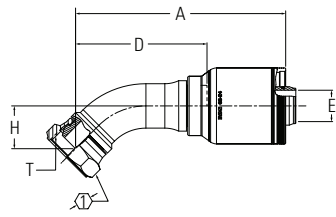
H

Female BSPP Swivel (BFA)

60° Cone Seat
45° Elbow



4S



6S

Part Number	Terminal End		Hose Size		Thread		A		D		E Ø		H		mm
	Dash size	DN	Dash size	in	mm	in	mm	in	mm	in	mm	in	mm	in	
4S6BFA6	-6	10	-6	G 3/8	73,8	2.91	48,5	1.91	6,7	0.26	19,0	0.75	22,0		
4S8BFA8	-8	12	-8	G 1/2	91,5	3.60	61,8	2.43	9,6	0.38	24,8	0.98	27,0		
4S12BFA12 (12-52P)	-12	19	-12	G 3/4	112,3	4.42	75,9	2.99	14,2	0.56	26,0	1.02	32,0		
4S16BFA12 (12-56P)	-16	19	-12	G 1	115,8	4.56	79,5	3.13	14,2	0.56	30,0	1.18	41,0		
4S16BFA16 (16-56P)	-16	25	-16	G 1	130,3	5.13	90,6	3.57	19,2	0.76	30,0	1.18	41,0		
4S20BFA16 (16-60P)	-20	25	-16	G 1 1/4	133,0	5.24	93,4	3.68	19,2	0.76	34,0	1.34	50,0		
4S20BFA20 (20-60P)	-20	31	-20	G 1 1/4	149,5	5.89	99,1	3.90	25,2	0.99	34,0	1.34	50,0		
4S24BFA24 (24-64P)	-24	38	-24	G 1 1/2	208,3	8.20	130,3	5.13	31,1	1.22	42,4	1.67	55,0		
4S32BFA32 (32-65P)	-32	51	-32	G 2	248,4	9.78	170,4	6.71	42,1	1.66	54,1	2.13	70,0		
6S	Dash size	DN	Dash size	in	mm	in	mm	in	mm	in	mm	in	mm		
6S24BFA24 (24-64P)	-24	38	-24	G 1 1/2	208,3	8.20	130,3	5.13	31,1	1.22	42,4	1.67	55,0		
6S32BFA32 (32-65P)	-32	51	-32	G 2	248,4	9.78	170,4	6.71	42,1	1.66	54,1	2.13	70,0		

"G" as part of thread size is ISO designation for parallel thread.

4S Fittings

For use with hoses:

H430-6,-8,-10,-12,-16,-20,-24,-32;
H430R-6,-8,-10,-12,-16,-20,-24,-32;
H464-12,-16,-20,-24,-32;
H471-12,-16,-20,-24; EC600-12,-16;
EC525-12,-16,-20,-24,-32; EC810-12,-16

6S Fittings

For use with hoses:

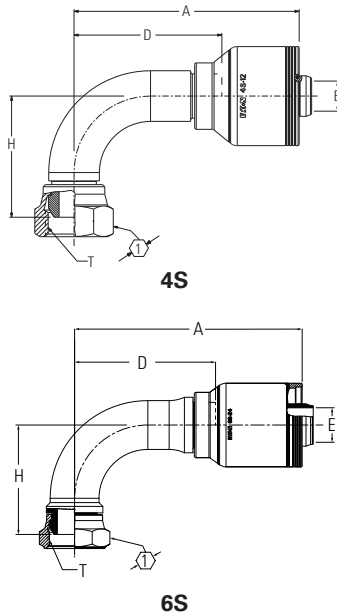
H471-32;
EC600-20;
EC810-20,-24,-32

Crimp fittings

Spiral hose fittings
(4S/6S Series)

Female BSPP Swivel (BFB)

60° Cone Seat
90° Elbow

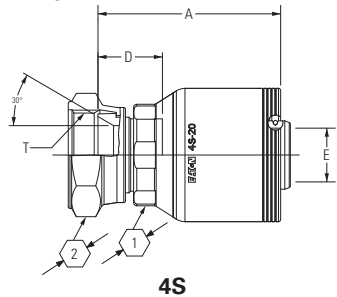


Part Number	Terminal End		Hose Size		Thread		A		D		E Ø		H		1
	Dash size	DN	Dash size	in	mm	in	mm	in	mm	in	mm	in	mm	in	
4S6BFB6	-6	10	-6	G 3/8	58,9	2.32	33,6	1.32	6,7	0.26	35,0	1.38	22,0		
4S8BFB8	-8	12	-8	G 1/2	63,9	2.52	34,2	1.35	9,6	0.38	37,5	1.48	27,0		
4S12BFB12 (12-82P)	-12	19	-12	G 3/4	105,9	4.17	69,6	2.74	14,2	0.56	57,0	2.24	32,0		
4S16BFB12 (12-86P)	-16	19	-12	G 1	105,9	4.17	69,6	2.74	14,2	0.56	68,0	2.68	41,0		
4S16BFB16 (16-86P)	-16	25	-16	G 1	125,5	4.94	85,8	3.38	19,2	0.76	68,0	2.68	41,0		
4S20BFB16 (16-90P)	-20	25	-16	G 1 1/4	125,5	4.94	85,8	3.38	19,2	0.76	79,0	3.11	50,0		
4S20BFB20 (20-90P)	-20	31	-20	G 1 1/4	145,0	5.71	95,0	3.74	25,2	0.99	79,0	3.11	50,0		
4S24BFB24 (24-94P)	-24	38	-24	G 1 1/2	205,1	8.07	127,0	5.00	31,1	1.22	98,6	3.88	55,0		
4S32BFB32 (32-95P)	-32	51	-32	G 2	245,7	9.67	167,6	6.60	42,1	1.66	125,3	4.93	70,0		
6S		DN	Dash size	in	mm	in	mm	in	mm	in	mm	in	mm		
6S24BFB24 (24-94P)	-24	38	-24	G 1 1/2	205,1	8.07	127,0	5.00	31,1	1.22	98,6	3.88	55,0		
6S32BFB32 (32-95P)	-32	51	-32	G 2	245,7	9.67	167,6	6.60	42,1	1.66	125,3	4.93	70,0		

"G" as part of thread size is ISO designation for parallel thread.

JIS Female swivel (JF)

30° Flare Seat
Straight



Part Number	Terminal End		Hose Size		Thread		A		D		E Ø		1		2	
	Dash size	DN	Dash size	in	mm	in	mm	in	mm	in	mm	in	mm	in	mm	
4S6JF6	-6	10	-6	G 3/8	55,2	2.17	33,9	1.33	6,7	0.26	22,0	0.87	22,0			
4S8JF8	-8	12	-8	G 1/2	64,4	2.54	37,1	1.46	9,6	0.38	27,0	1.06	27,0			
4S12JF12 (12-12L)	-12	19	-12	G 3/4	62,4	2.46	26,2	1.03	14,2	0.56	30,0	1 3/16	32,0			
4S16JF16 (16-16L)	-16	25	-16	G 1	66,6	2.62	26,8	1.06	19,2	0.76	41,0	1 5/8	41,0			
4S20JF20 (20-20L)	-20	31	-20	G 1 1/4	85,5	3.37	30,2	1.19	25,2	0.99	46,0	1 13/16	50,0			

"G" as part of thread size is ISO designation for parallel thread.

Crimp fittings

Spiral hose fittings
(4S/6S Series)

4S Fittings

For use with hoses:

H430-6,-8,-10,-12,-16,-20,-24,-32;
H430R-6,-8,-10,-12,-16,-20,-24,-32;
H464-12,-16,-20,-24,-32;
H471-12,-16,-20,-24; EC600-12,-16;
EC525-12,-16,-20,-24,-32; EC810-12,-16

6S Fittings

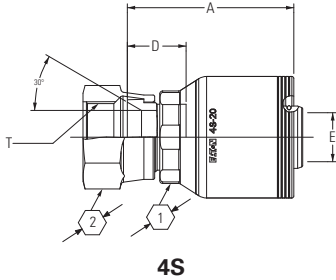
For use with hoses:

H471-32;
EC600-20;
EC810-20,-24,-32

H

Komatsu Female Swivel (KF)

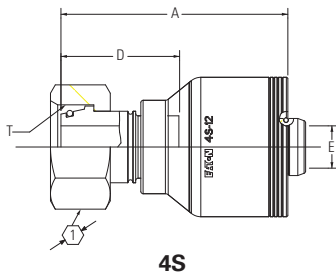
30° Flare Seat
Straight



Part Number	Terminal End		Hose Size		Thread	A		D		E Ø		1	2	
	4S	Dash size	DN	Dash size	Metric	mm	in	mm	in	mm	in	mm	in	mm
4S8KF8		-8	12	-8	M22X1.5	67,1	2.64	39,8	1.57	9,6	0.38	27,0	1.06	27,0
4S10KF10		-10	16	-10	M24X1.5	72,1	2.84	46,0	1.81	12,4	0.49	30,0	1 3/16	31,8
4S12KF12 (12-30K)		-12	19	-12	M30X1.5	62,4	2.46	26,2	1.03	14,2	0.56	30,0	1 3/16	36,0
4S16KF16 (16-33K)		-16	25	-16	M33X1.5	66,6	2.62	26,8	1.06	19,2	0.76	41,0	1 5/8	41,0
4S20KF20 (20-36K)		-20	31	-20	M36X1.5	85,5	3.37	30,2	1.19	25,2	0.99	46,0	1 13/16	46,0

Female Swivel DIN 24° seat (DL)

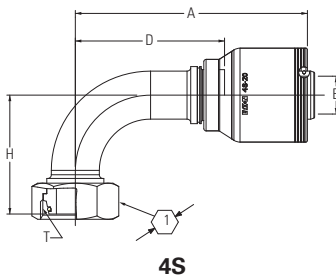
I.Rh DKO (Light)
Straight



Part Number	Hose Size		Thread	A		D		E Ø		1
	4S	DN Dash size	Metric	mm	in	mm	in	mm	in	mm
4S8DL6		10 -6	M16x1.5	50,5	1.99	25,2	0.99	6,7	0.26	19,0
4S10DL6		10 -6	M18x1.5	51,2	2.01	25,9	1.02	6,7	0.26	22,0
4S12DL8		12 -8	M22x1.5	58,3	2.30	28,6	1.13	9,6	0.38	27,0
4S16DL10		16 -10	M26x1.5	59,2	2.33	29,8	1.17	12,8	0.50	32,0
4S20DL12 (12-22C)		19 -12	M30X2	76,0	2.99	39,7	1.56	14,2	0.56	36,0
4S25DL16 (16-28C)		25 -16	M36X2	79,7	3.14	40,3	1.59	19,2	0.76	41,0
4S32DL20 (20-35C)		31 -20	M45X2	100,5	3.96	45,5	1.79	25,2	0.99	50,0

Female Swivel DIN 24° Seat (DLB)

I.Rh DKO (Light)
90° Elbow



Part Number	Hose Size		Thread	A		D		E Ø		H	1	
	4S	DN Dash size	Metric	mm	in	mm	in	mm	in	mm	mm	
4S20DLB12 (12-72D)		19 -12	M30X2	106,1	4.18	69,8	2.75	14,2	0.56	50,7	2.00	36,0
4S32DLB20 (20-85D)		31 -20	M45X2	154,2	6.07	99,2	3.90	25,2	0.99	79,0	3.11	50,0

4S Fittings

For use with hoses:

H430-6,-8,-10,-12,-16,-20,-24,-32;
H430R-6,-8,-10,-12,-16,-20,-24,-32;
H464-12,-16,-20,-24,-32;
H471-12,-16,-20,-24; EC600-12,-16;
EC525-12,-16,-20,-24,-32; EC810-12,-16

6S Fittings

For use with hoses:

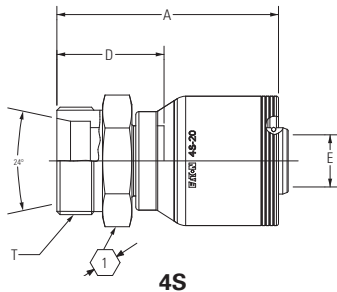
H471-32;
EC600-20;
EC810-20,-24,-32

Crimp fittings

Spiral hose fittings
(4S/6S Series)

Male DIN 24° Seat Rigid (EK)

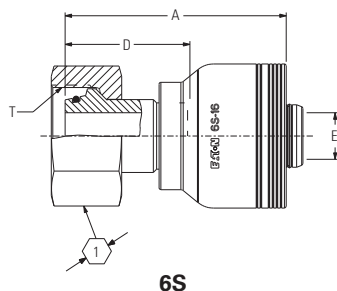
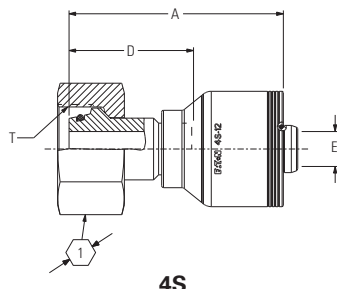
S.Rh. DKO (Heavy)
Straight



Part Number	Hose Size		Thread	A		D		E Ø		1
	DN	Dash size		mm	in	mm	in	mm	in	
4S6EK6	10	-6	M18X1.5	45,5	1.79	24,2	0.95	6,7	0.26	19,0
4S8EK6	10	-6	M20X1.5	50,3	1.98	25,0	0.98	6,7	0.26	22,0
4S12EK8	12	-8	M24X1.5	58,0	2.28	28,3	1.11	9,6	0.38	27,0
4S16EK10	16	-10	M30X2	62,0	2.44	32,7	1.29	12,8	0.50	32,0
4S20EK12 (12-25F)	19	-12	M36X2	78,6	3.09	42,3	1.67	14,2	0.56	41,0
4S25EK16 (16-30F)	25	-16	M42X2	83,7	3.30	44,0	1.73	19,2	0.75	46,0
4S32EK20 (20-35F)	31	-20	M52X2	106,9	4.21	51,7	2.04	25,2	0.99	55,0

Female swivel DIN 24° seat (DS)

s.RH DKO (heavy)
Straight



Part Number	Hose Size		Thread	A		D		E Ø		1
	DN	Dash size		mm	in	mm	in	mm	in	
4S8DS6	10	-6	M20x1.5	53,8	2.12	28,5	1.12	6,7	0.26	24,0
4S10DS6	10	-6	M22x1.5	56,9	2.24	31,6	1.24	6,7	0.26	27,0
4S12DS8	12	-8	M24x1.5	62,4	2.46	32,7	1.29	9,6	0.38	30,0
4S16DS10	16	-10	M30x2	66,9	2.63	37,5	1.48	12,8	0.50	36,0
4S16DS12 (12-70C)	19	-12	M30X2	73,7	2.90	37,4	1.47	14,2	0.56	36,0
4S20DS12 (12-75C)	19	-12	M36X2	86,6	3.41	50,3	1.98	14,2	0.56	46,0
4S25DS12 (12-80C)	19	-12	M42X2	88,2	3.47	51,9	2.04	14,2	0.56	50,0
4S25DS16 (16-80C)	25	-16	M42X2	91,1	3.59	51,4	2.02	19,2	0.76	50,0
4S32DS16 (16-88C)	25	-16	M52X2	94,5	3.72	55,3	2.18	19,2	0.76	60,0
4S25DS20 (20-80C)	31	-20	M42X2	96,6	3.80	41,6	1.64	22,1	0.87	50,0
4S32DS20 (20-88C)	31	-20	M52X2	111,5	4.39	56,5	2.22	25,2	0.99	60,0
6S	DN	Dash size	Metric	mm	in	mm	in	mm	in	mm
6S32DS20 (20-88C)	31	-20	M52X2	112,5	4.43	56,5	2.22	25,2	0.99	60,0

Crimp fittings

Spiral hose fittings
(4S/6S Series)

4S Fittings

For use with hoses:

H430-6,-8,-10,-12,-16,-20,-24,-32;
H430R-6,-8,-10,-12,-16,-20,-24,-32;
H464-12,-16,-20,-24,-32;
H471-12,-16,-20,-24; EC600-12,-16;
EC525-12,-16,-20,-24,-32; EC810-12,-16

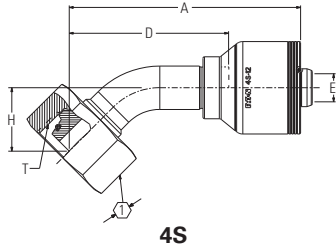
6S Fittings

For use with hoses:

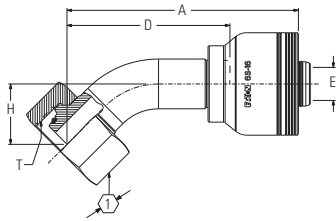
H471-32;
EC600-20;
EC810-20,-24,-32

Female Swivel DIN 24° seat (DSA)

S.Rh DKO (heavy)
45° Elbow



4S

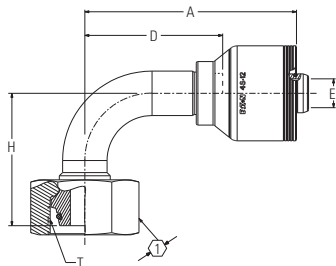


6S

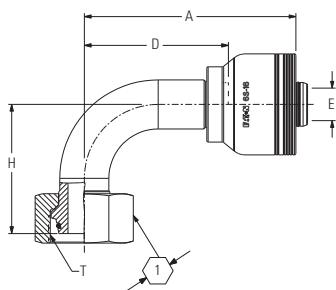
Part Number	Hose Size		Thread	A		D		E Ø		H		mm
	DN	Dash size		mm	in	mm	in	mm	in	mm	in	
4S8DSA6	10	-6	M20x1.5	66,3	2.61	41,0	1.61	6,7	0.26	17,2	0.68	24,0
4S12DSA8	12	-8	M24x1.5	86,7	3.41	57,0	2.24	9,6	0.38	24,0	0.94	30,0
4S16DSA10	16	-10	M30x2	87,1	3.43	57,7	2.27	12,0	0.47	24,7	0.97	36,0
4S20DSA12 (12-25E)	19	-12	M36x2	116,7	4.59	80,4	3.17	14,2	0.56	32,0	1.26	46,0
4S25DSA12 (12-30E)	19	-12	M42x2	130,8	5.15	94,4	3.72	14,2	0.56	35,0	1.38	50,0
4S25DSA16 (16-30E)	25	-16	M42x2	134,2	5.28	94,4	3.72	19,2	0.76	35,0	1.38	50,0
4S32DSA16 (16-88C)	25	-16	M52x2	145,1	5.71	105,3	4.15	19,2	0.76	39,0	1.54	60,0
4S32DSA20 (20-88C)	31	-20	M52x2	161,3	6.35	106,3	4.19	25,2	0.99	39,0	1.54	60,0
6S	DN	Dash size	Metric	mm	in	mm	in	mm	in	mm	in	mm
6S32DSA20 (20-88C)	31	-20	M52x2	162,4	6.39	106,3	4.19	25,2	0.99	39,0	1.54	60,0

Female swivel DIN 24° seat (DSB)

S.Rh DKO (heavy)
90° Elbow



4S



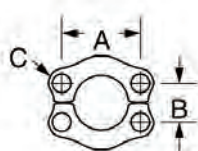
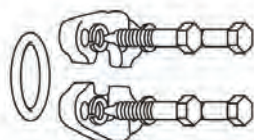
6S

Part Number	Hose Size		Thread	A		D		E Ø		H		mm
	DN	Dash size		mm	in	mm	in	mm	in	mm	in	
4S8DSB6	10	-6	M20X1.5	55,9	2.20	34,6	1.36	6,7	0.26	35,3	1.39	24,0
4S10DSB6	10	-6	M22X1.5	59,8	2.35	38,5	1.52	6,7	0.26	42,0	1.65	27,0
4S12DSB8	12	-8	M24X1.5	77,7	3.06	48,0	1.89	9,6	0.38	45,3	1.78	30,0
4S16DSB10	16	-10	M30x2	82,0	3.23	52,6	2.07	12,8	0.50	52,0	2.05	36,0
4S20DSB12 (12-75E)	19	-12	M36x2	103,9	4.09	67,7	2.67	14,2	0.56	65,0	2.56	46,0
4S25DSB12 (12-80E)	19	-12	M42x2	122,7	4.83	86,4	3.40	14,2	0.56	76,0	2.99	50,0
4S25DSB16 (16-80E)	25	-16	M42x2	124,5	4.90	84,8	3.34	19,2	0.76	76,0	2.99	50,0
4S32DSB16 (16-88E)	25	-16	M52x2	136,7	5.38	97,0	3.82	19,2	0.76	89,0	3.50	60,0
4S32DSB20 (20-88E)	31	-20	M52x2	153,0	6.02	98,0	3.86	25,2	0.99	89,0	3.50	60,0
6S	DN	Dash size	Metric	mm	in	mm	in	mm	in	mm	in	mm
6S32DSB20 (20-88E)	31	-20	M52x2	154,2	6.07	98,0	3.86	25,2	0.99	89,0	3.50	60,0

Flange accessories

Split Flange Kits – SAE Standard

Pressure Series
(Ref. SAE Code 61) SAE J518



O-Ring Material

Buna-N 90 Durometer

Temperature range

-40°F to +250°F
(-40°C to + 121°C)

Standard o-ring complies with SAE specification SAE J515 Type CH

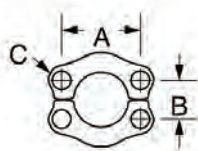
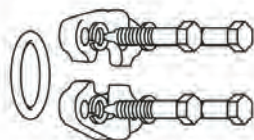
Included in kit

Nominal Flange Size	Part Number Complete Kit	Flange Halves 2 Req'd.	O-Ring	Bolts	Lock Washer	A	B	C	Bolt torque range Lb.-In.
1/2	SFK-08	8x251	8x252	8x853	8x254	1.50	.69	11/32	175-225
3/4	SFK-12	12x251	12x252	12x853	12x254	1.88	.88	13/32	250-350
1	SFK-16	16x251	16x252	12x853	12x254	2.06	1.03	13/32	325-425
1-1/4	SFK-20	20x251	20x252	20x853	20x254	2.31	1.19	15/32	425-550
1-1/2	SFK-24	24x251	24x252	24x853	24x254	2.75	1.41	17/32	550-700
2	SFK-32	32x251	32x252	24x853	24x254	3.06	1.69	17/32	650-800

Flanges conform to SAE J518.

Split Flange Kits – SAE High Pressure Series

(Ref. SAE Code 62) SAE J518



O-Ring Material

Buna-N 90 Durometer

Temperature range

-40°F to +250°F
(-40°C to + 121°C)

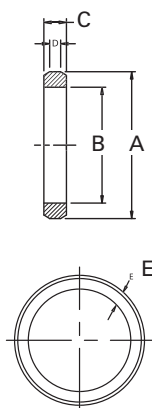
Standard o-ring complies with SAE specifications SAE J515 Type CH

Included in kit

Nominal Flange Size	Part Number Complete Kit	Flange Halves 2 Req'd.	O-Ring	Bolts	Lock Washer	A	B	C	Bolt torque range Lb.-In.
1/2	SFK62-8	8x262	8x252	8x853	8x254	1.57	.72	5/16	175-225
3/4	SFK62-12	12x262	12x252	12x863	12x254	2.00	.94	13/32	300-400
1	SFK62-16	16x262	16x252	12x863	12x254	2.25	1.09	15/32	500-600
1-1/4	SFK62-20	20x262	20x252	20x863	20x254	2.63	1.25	17/32	750-900
1-1/2	SFK62-24	24x262	24x252	24x863	24x264	3.12	1.44	21/32	1400-1600
2	SFK62-32	32x262	32x252	24x863	24x264	3.81	1.75	25/32	2400-2600

NOTE: Code 62 split flange kits cannot be used with Thick Flange™ hose Ends. Use existing split flanges. Flanges conform to SAE J518.

Cat-Flange D-Ring*



Material

Nitrile (Buna-N)

Temperature range

-40°F to +212°F
(-40°C to +100°C)

Part Number	A Ref		B Ref		C Ref		D Ref		E Ref	
	inch	mm	inch	mm	inch	mm	inch	mm	inch	mm
FF90319-12	1.27	32,3	1.00	25,4	.20	5,1	.10	2,5	.135	3,4
FF90319-16	1.52	36,6	1.25	31,8	.20	5,1	.10	2,5	.135	3,4
FF90319-20	1.77	45,0	1.50	38,1	.20	5,1	.10	2,5	.135	3,4
FF90319-24	2.03	51,6	1.76	44,7	.20	5,1	.10	2,5	.135	3,4
FF90319-32	2.78	70,6	2.52	64,0	.20	5,1	.10	2,5	.135	3,4

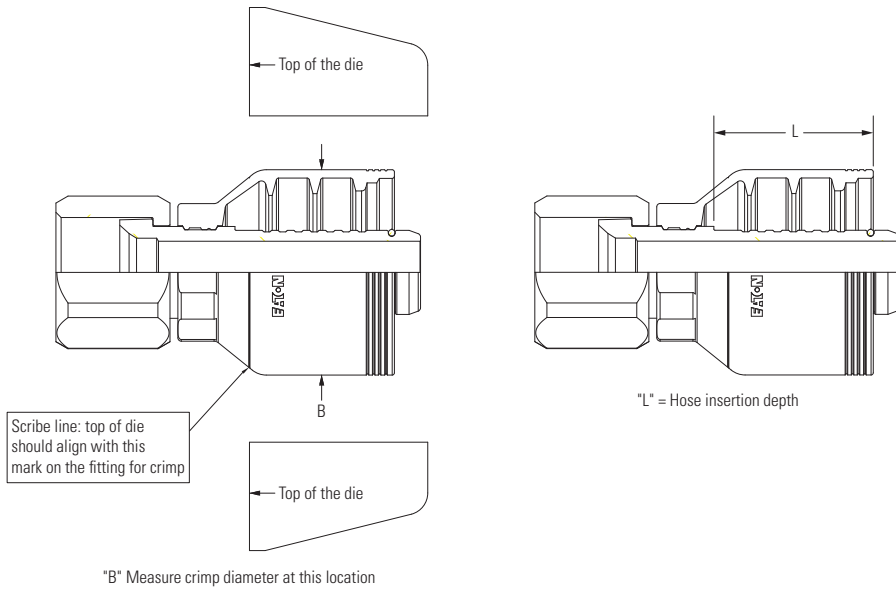
*To be used only with Cat-Flange hose ends.

Crimp fittings

Spiral hose fittings
(4S/6S Series)

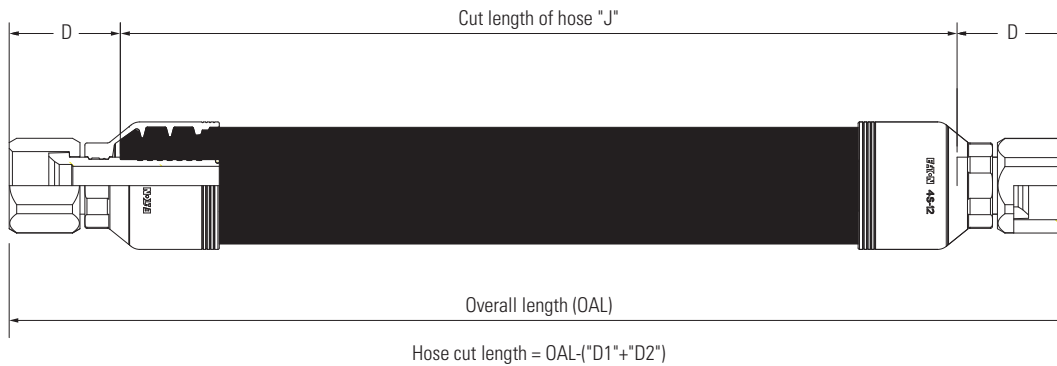
H

Fitting for crimp die placement



L Dimension

4S	mm	inches
4S-06	20,8	0.82
4S-08	28,2	1.11
4S-10	25,4	1.00
4S-12	36,2	1.43
4S-16	39,8	1.57
4S-20	55,1	2.17
4S-24	78,0	3.07
4S-32	78,0	3.07
6S	mm	inches
6S-16	39,8	1.57
6S-20	55,9	2.20
6S-24	78,0	3.07
6S-32	78,0	3.07



To determine the correct length of hose, subtract the cut-off factor for each end fitting from the overall length of assembly.